



US00D726249S

(12) **United States Design Patent**
Kim et al.

(10) **Patent No.:** **US D726,249 S**

(45) **Date of Patent:** **** Apr. 7, 2015**

(54) **MULTI-FUNCTION PRINTER**

(71) Applicant: **Samsung Electronics Co., Ltd.**,
Suwon-si, Gyeonggi-do (KR)

(72) Inventors: **Kyong-Hwan Kim**, Seoul (KR);
Tae-Kung Park, Goyang-si (KR);
Ha-Kyung Kim, Seoul (KR)

(73) Assignee: **Samsung Electronics Co., Ltd.** (KR)

(**) Term: **14 Years**

(21) Appl. No.: **29/483,164**

(22) Filed: **Feb. 26, 2014**

(30) **Foreign Application Priority Data**

Sep. 17, 2013 (KR) 30-2013-0048029

(51) **LOC (10) Cl.** **18-02**

(52) **U.S. Cl.**
USPC **D18/53**

(58) **Field of Classification Search**

CPC ... G06K 15/12; G06K 15/14; H04N 1/00204;
H04N 1/00249; H04N 1/00278
USPC D18/53, 56, 59, 36, 38, 39, 40, 41, 45;
D14/301, 307; 399/16, 75, 81, 131,
399/151, 361, 365, 367, 381-385, 388

See application file for complete search history.

(56) **References Cited**

U.S. PATENT DOCUMENTS

D502,210	S	*	2/2005	Katori et al.	D18/39
6,865,353	B2	*	3/2005	Fujita et al.	399/81
D577,763	S	*	9/2008	Hidaka et al.	D18/39
D580,483	S	*	11/2008	Park et al.	D18/39
D626,588	S	*	11/2010	Kim et al.	D18/39
D665,012	S	*	8/2012	Saito et al.	D18/39
D685,414	S	*	7/2013	Jeong et al.	D18/53
D692,477	S	*	10/2013	Kim et al.	D18/53
D695,339	S	*	12/2013	Fukasawa et al.	D18/55
D701,563	S	*	3/2014	Kim et al.	D18/53
2003/0228168	A1	*	12/2003	Okuda	399/81

* cited by examiner

Primary Examiner — Bridget L Eland

(74) *Attorney, Agent, or Firm* — Cantor Colburn LLP

(57) **CLAIM**

The ornamental design for a multi-function printer, as shown and described.

DESCRIPTION

FIG. 1 is a front perspective view of a multi-function printer showing our new design;
FIG. 2 is a front view thereof;
FIG. 3 is a rear view thereof;
FIG. 4 is a side view thereof;
FIG. 5 is another side view thereof;
FIG. 6 is a top view thereof; and,
FIG. 7 is a bottom view thereof.
The broken lines illustrating portions of the multi-function printer are for environmental purposes only and form no part of the claimed design.

1 Claim, 6 Drawing Sheets

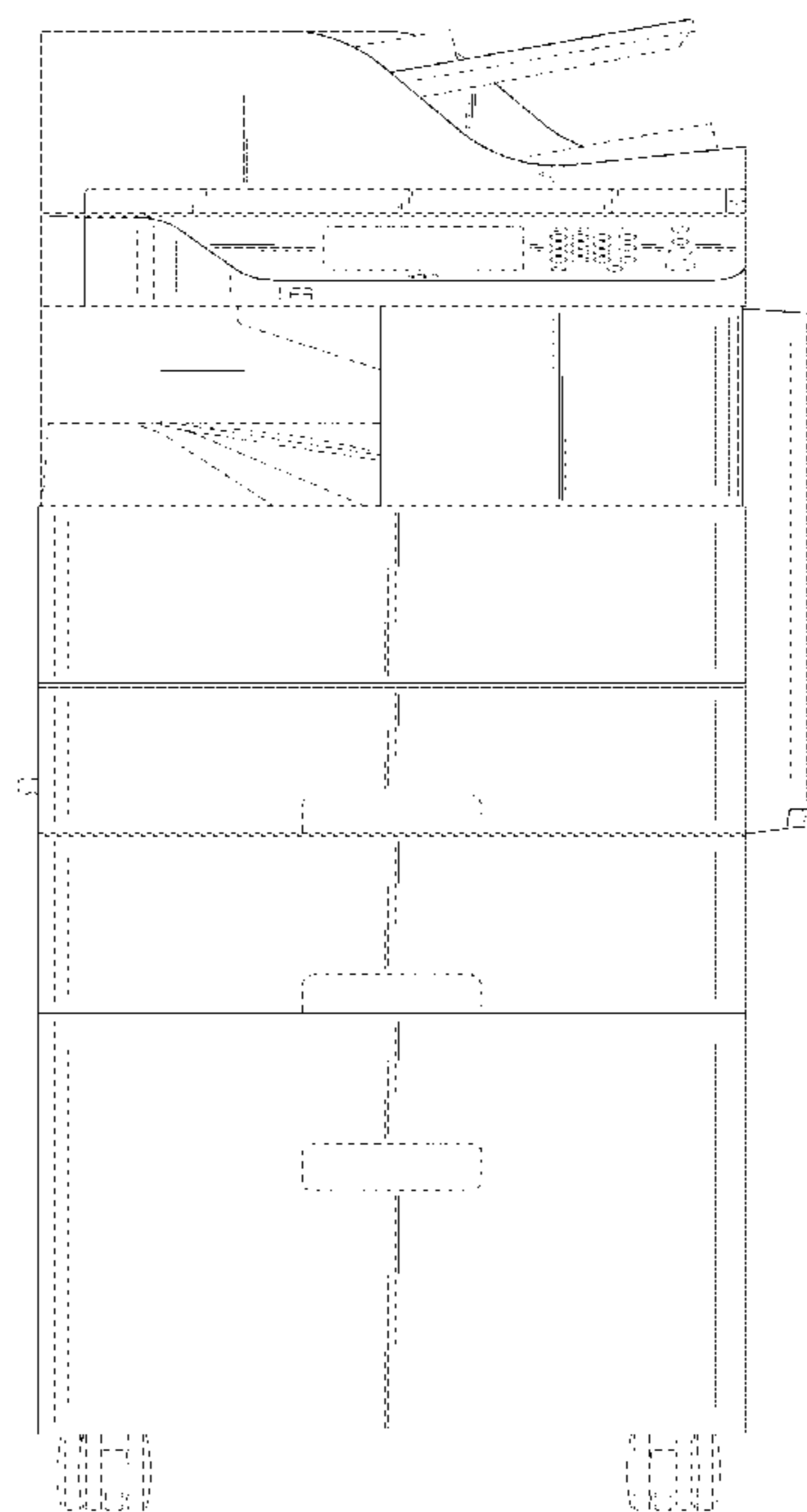
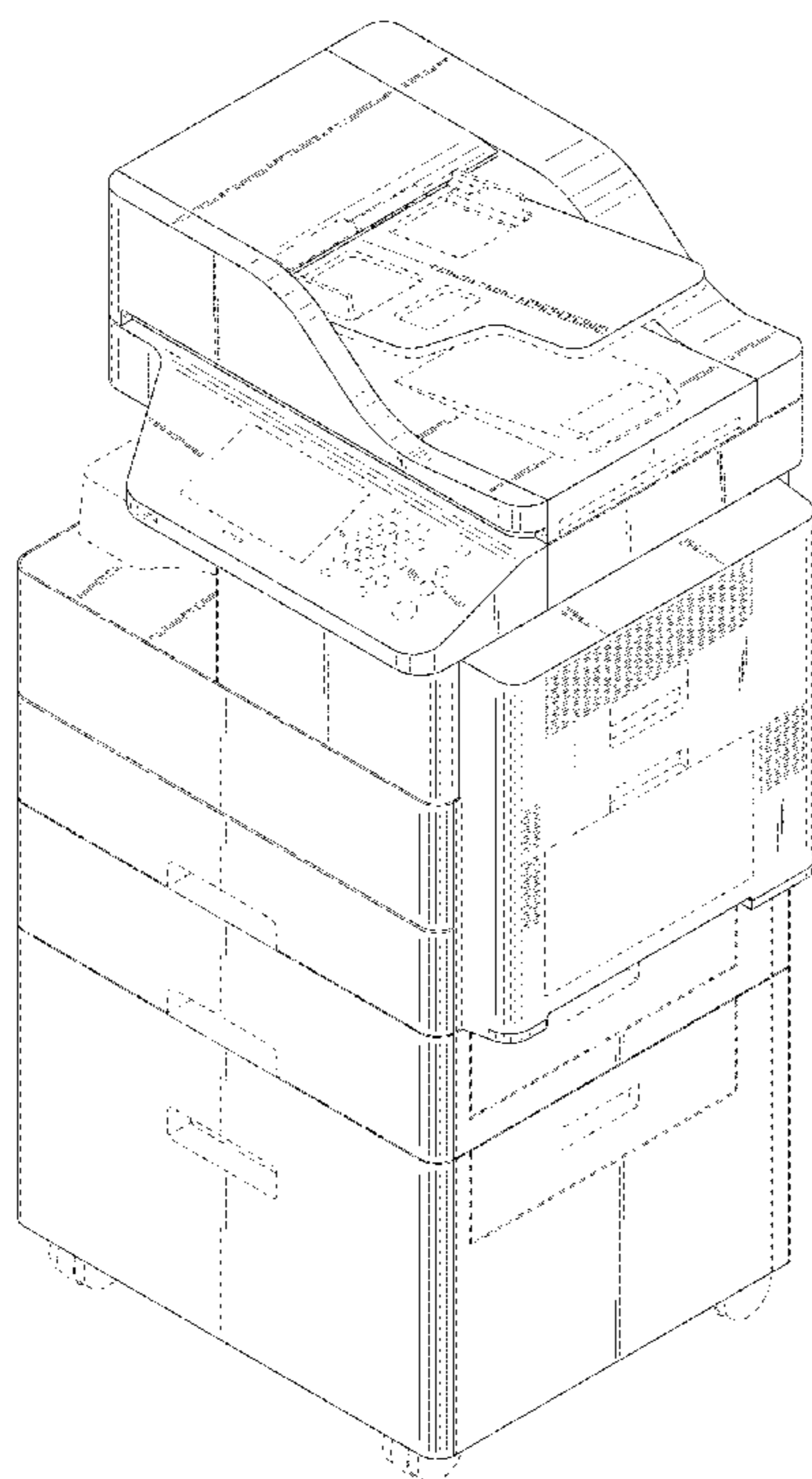


FIG.1

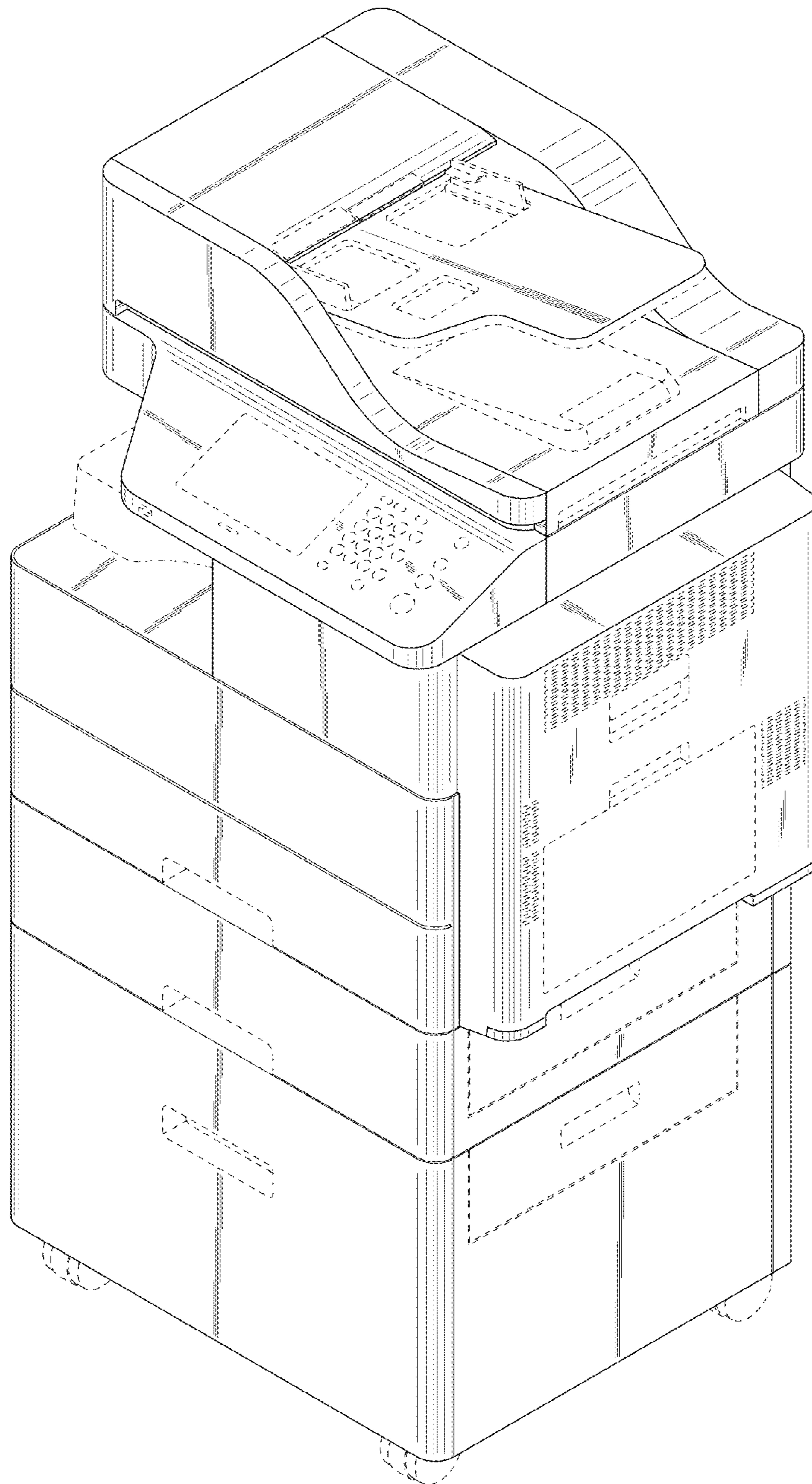


FIG.2

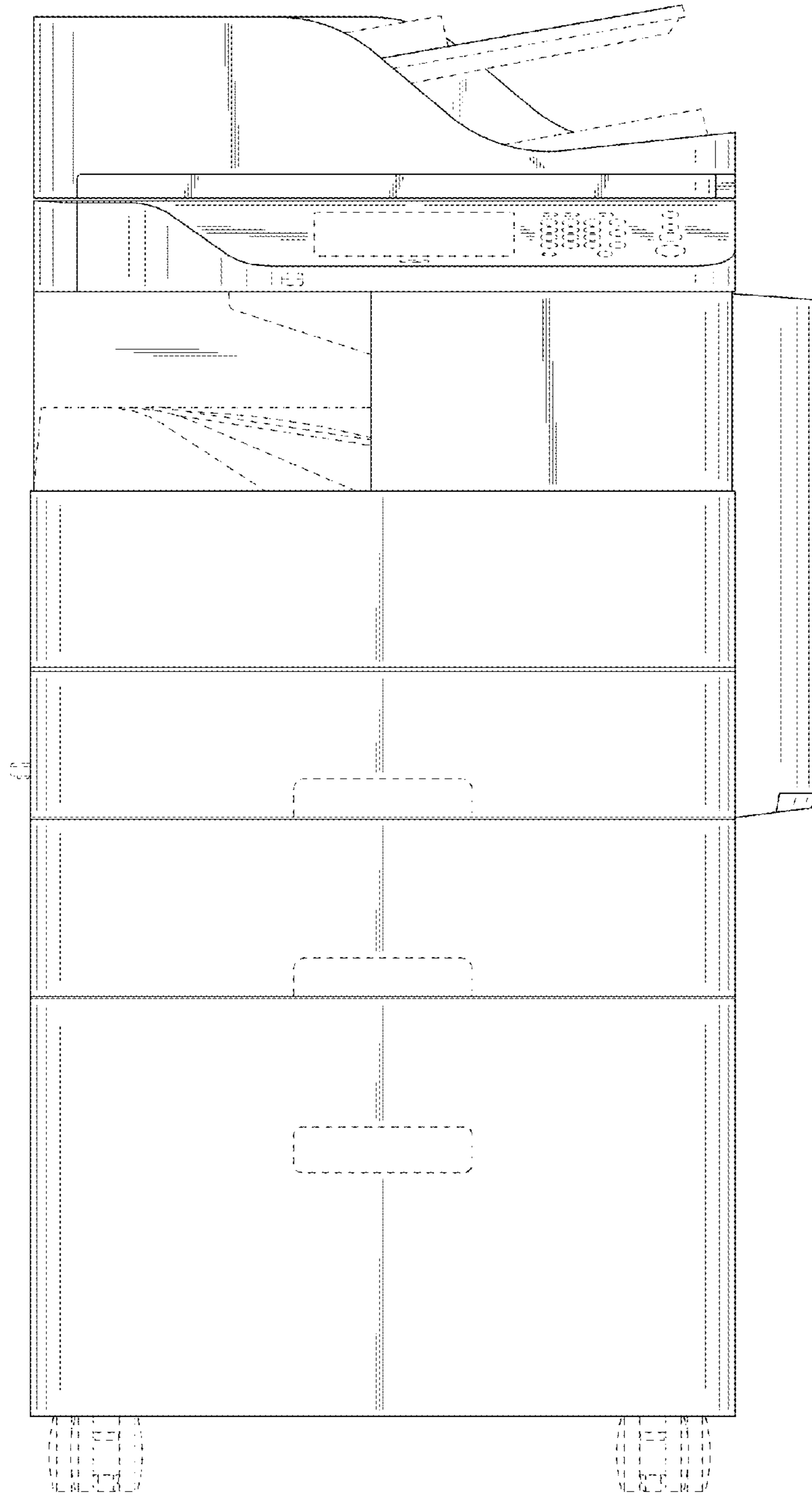


FIG.3

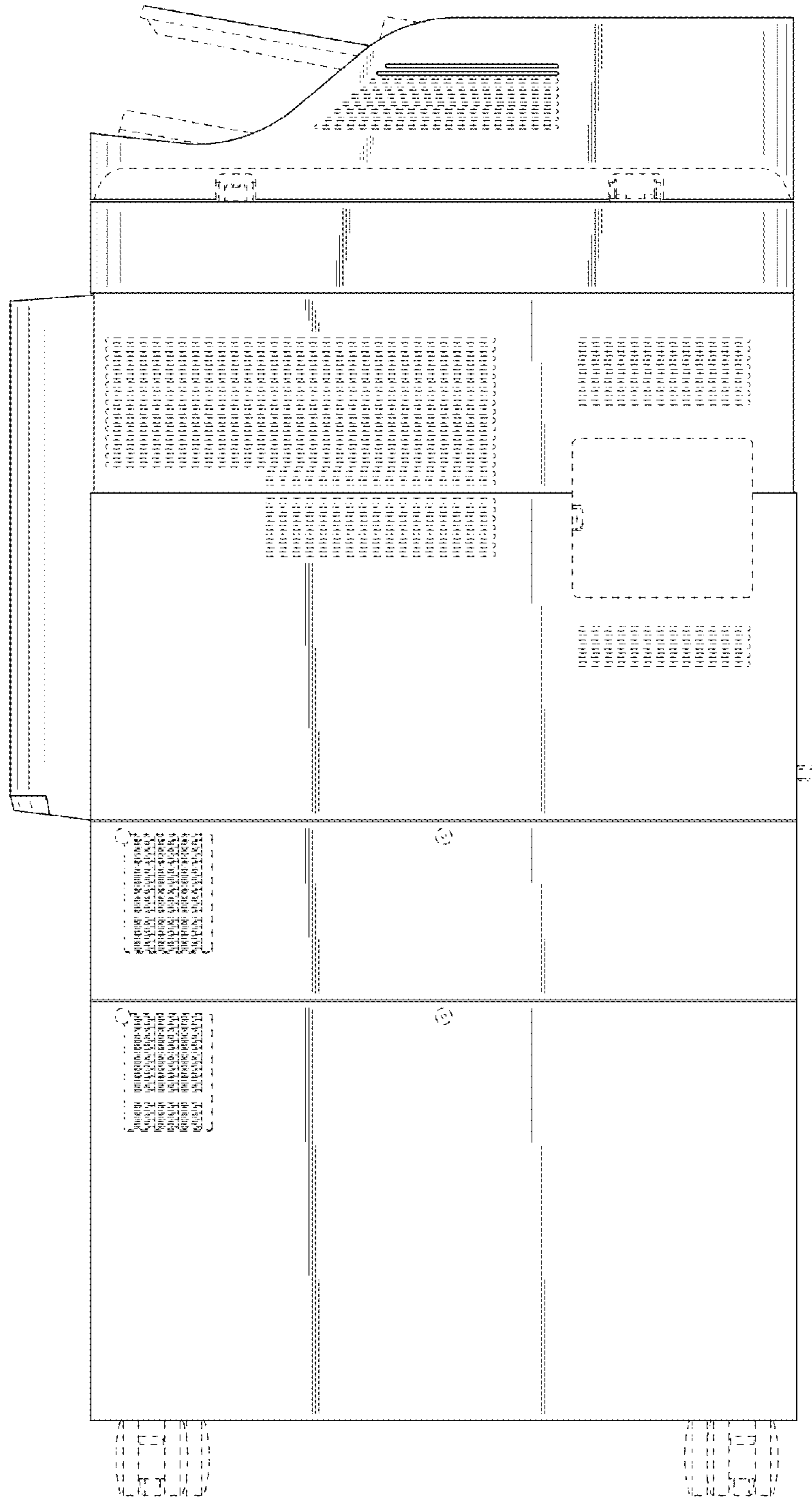


FIG.4

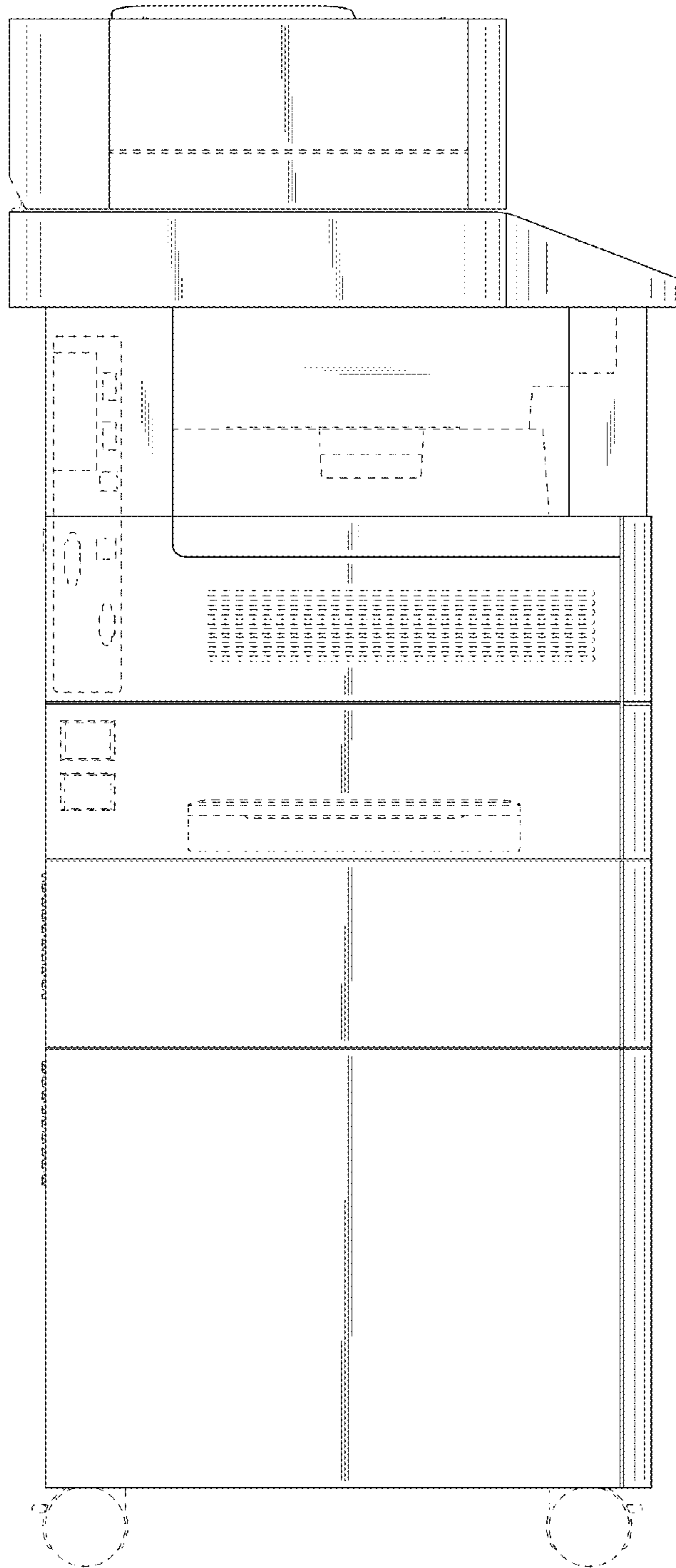


FIG.5

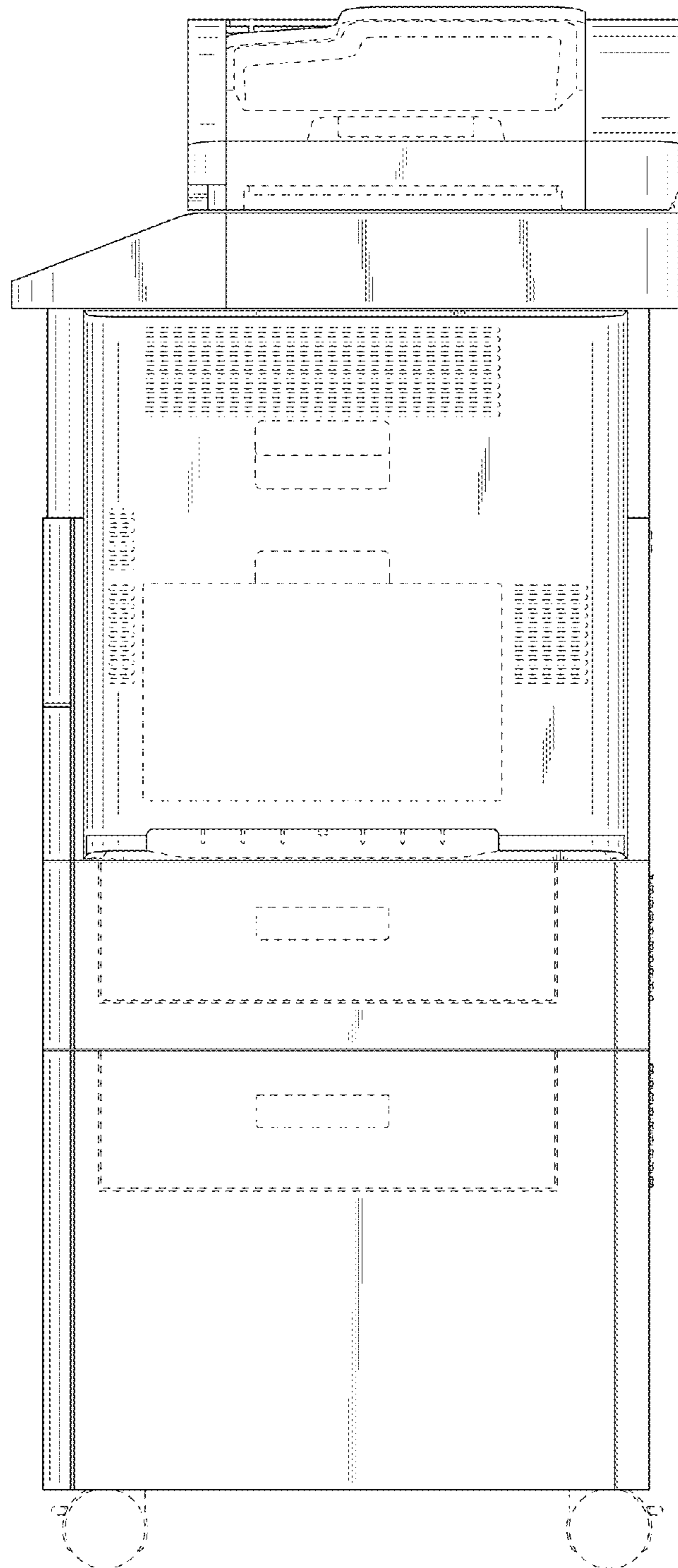


FIG.6

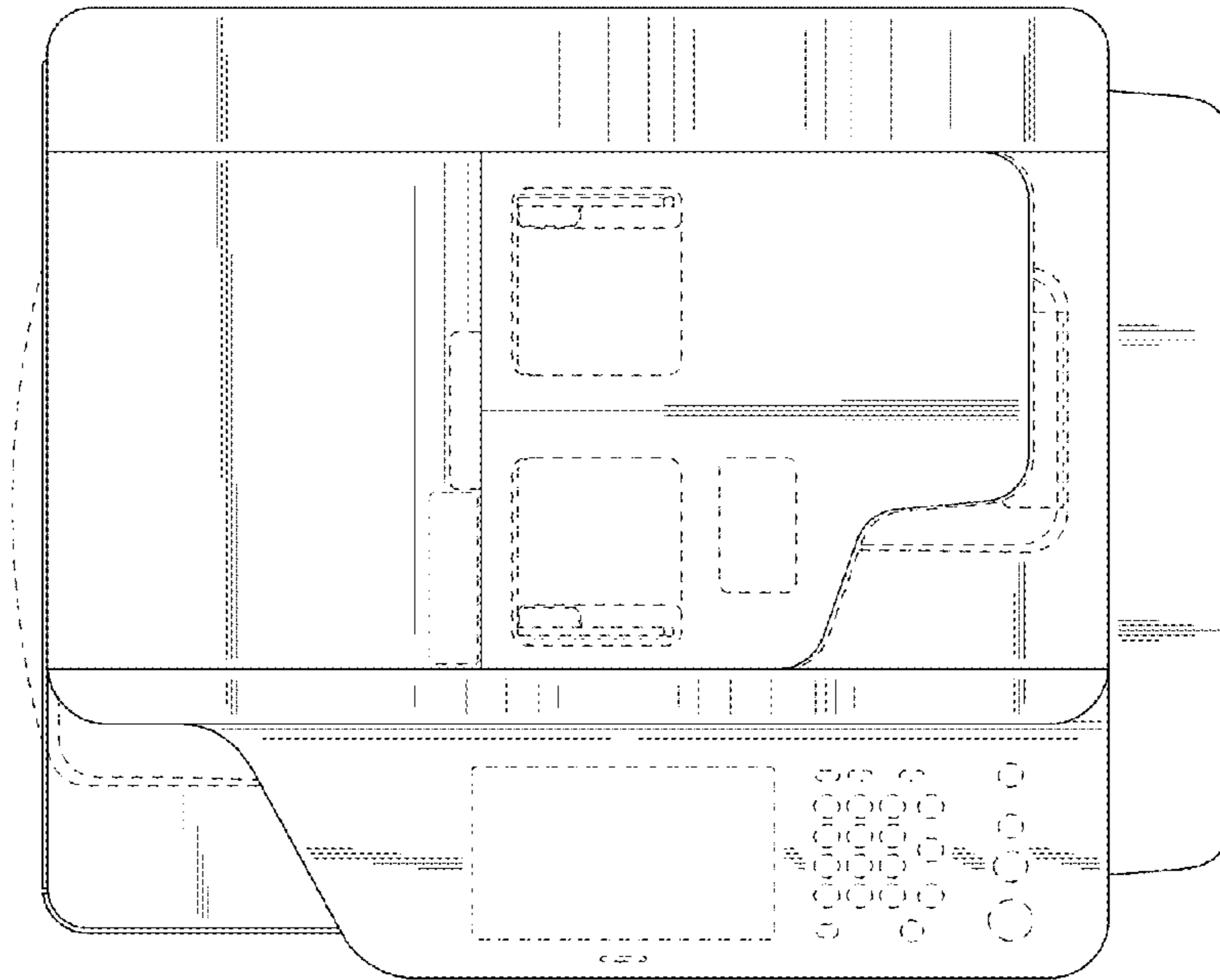


FIG.7

