



US00D726248S

(12) **United States Design Patent**
Perlee

(10) **Patent No.:** **US D726,248 S**
(45) **Date of Patent:** **** Apr. 7, 2015**

(54) **OVER TERMINAL INSTANT INVENTORY SYSTEM**

(71) Applicant: **Retail Gaming Solutions, LLC**,
Guilderland, NY (US)

(72) Inventor: **Jeffrey S. Perlee**, Altamont, NY (US)

(73) Assignee: **Retail Gaming Solutions, LLC**,
Guilderland, NY (US)

(**) Term: **14 Years**

(21) Appl. No.: **29/485,155**

(22) Filed: **Mar. 17, 2014**

(51) **LOC (10) Cl.** **18-99**

(52) **U.S. Cl.**
USPC **D18/46**

(58) **Field of Classification Search**
USPC D14/142, 144, 146, 147, 148, 356, 357,
D14/358, 371, 376, 382, 383, 385, 386, 387,
D14/388, 399, 390; D18/1, 3.1, 3.2, 3.3,
D18/4.4, 4.6, 6, 7, 11, 12, 12.1, 12.2, 12.3;
D19/9, 10; D21/324, 329, 333, 369,
D21/371, 377, 379, 392; D99/28, 29, 30,
D99/31, 34, 35, 36, 43; 235/2, 4, 7 R, 12, 22,
235/33, 58 R, 59 R, 61 R, 375, 379, 380,
235/385, 386, 439, 441, 451, 492; 186/37;
361/679.3; 705/14.65, 15, 16, 17, 22,
705/25

See application file for complete search history.

(56) **References Cited**

U.S. PATENT DOCUMENTS

1,362,949	A *	12/1920	Lillard	232/25
1,574,354	A *	2/1926	Barth	232/25
1,604,629	A *	10/1926	Beer	232/25
1,642,533	A *	9/1927	Beer	232/25
1,709,363	A *	4/1929	Murphy	232/24

1,735,379	A *	11/1929	Content	232/24
1,750,339	A *	3/1930	Wood	232/24
1,817,191	A *	8/1931	Harmony	232/24
2,841,327	A *	7/1958	Chasworth	232/39
2,960,265	A *	11/1960	Simon	232/25
4,161,274	A *	7/1979	Bishop et al.	232/24
4,557,416	A *	12/1985	Stahl et al.	232/24
5,435,255	A *	7/1995	Elseser et al.	109/56
6,003,761	A *	12/1999	Chapman	232/24
6,889,894	B2 *	5/2005	Yong	232/25
7,604,158	B1 *	10/2009	Bond	232/25
8,246,124	B2 *	8/2012	Mackillop	312/216
2009/0228795	A1 *	9/2009	Bass et al.	715/705

* cited by examiner

Primary Examiner — Eric Goodman

Assistant Examiner — Amy Wierenga

(74) *Attorney, Agent, or Firm* — Hoffman Warnick LLC

(57) **CLAIM**

The ornamental design for an over terminal instant inventory system, as shown and described.

DESCRIPTION

FIG. 1 is a perspective view of an over terminal instant inventory system according to the present design.

FIG. 2 is a plan view of the over terminal instant inventory system of FIG. 1.

FIG. 3 is a front view of the over terminal instant inventory system of FIG. 1.

FIG. 4 is a first side view of the over terminal instant inventory system of FIG. 1.

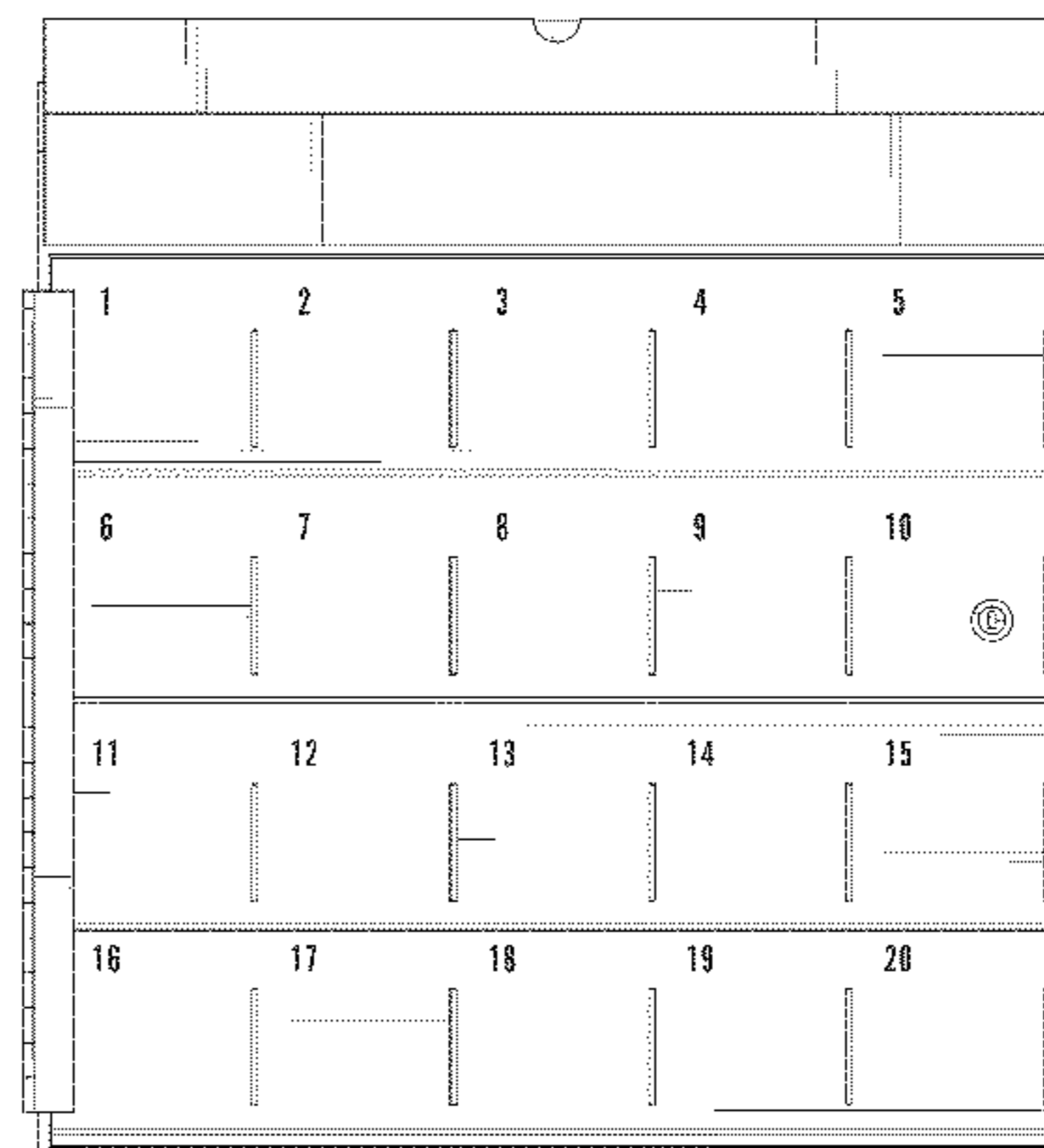
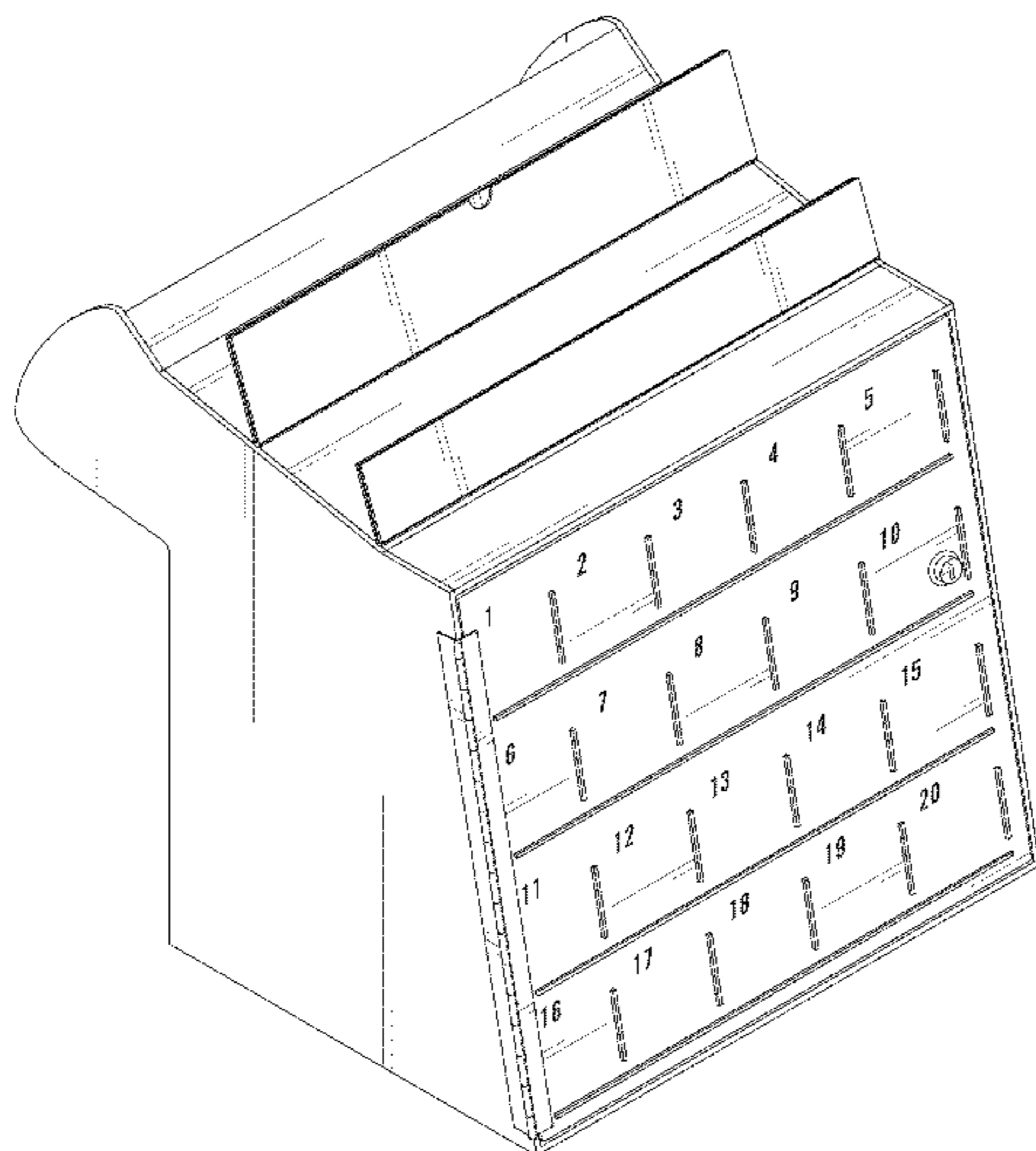
FIG. 5 is a second side view of the over terminal instant inventory system of FIG. 1.

FIG. 6 is a back view of the over terminal instant inventory system of FIG. 1; and,

FIG. 7 is a bottom view of the over terminal instant inventory system of FIG. 1.

The broken lines in the drawings depict portions of the article and form no part of the claimed design.

1 Claim, 7 Drawing Sheets



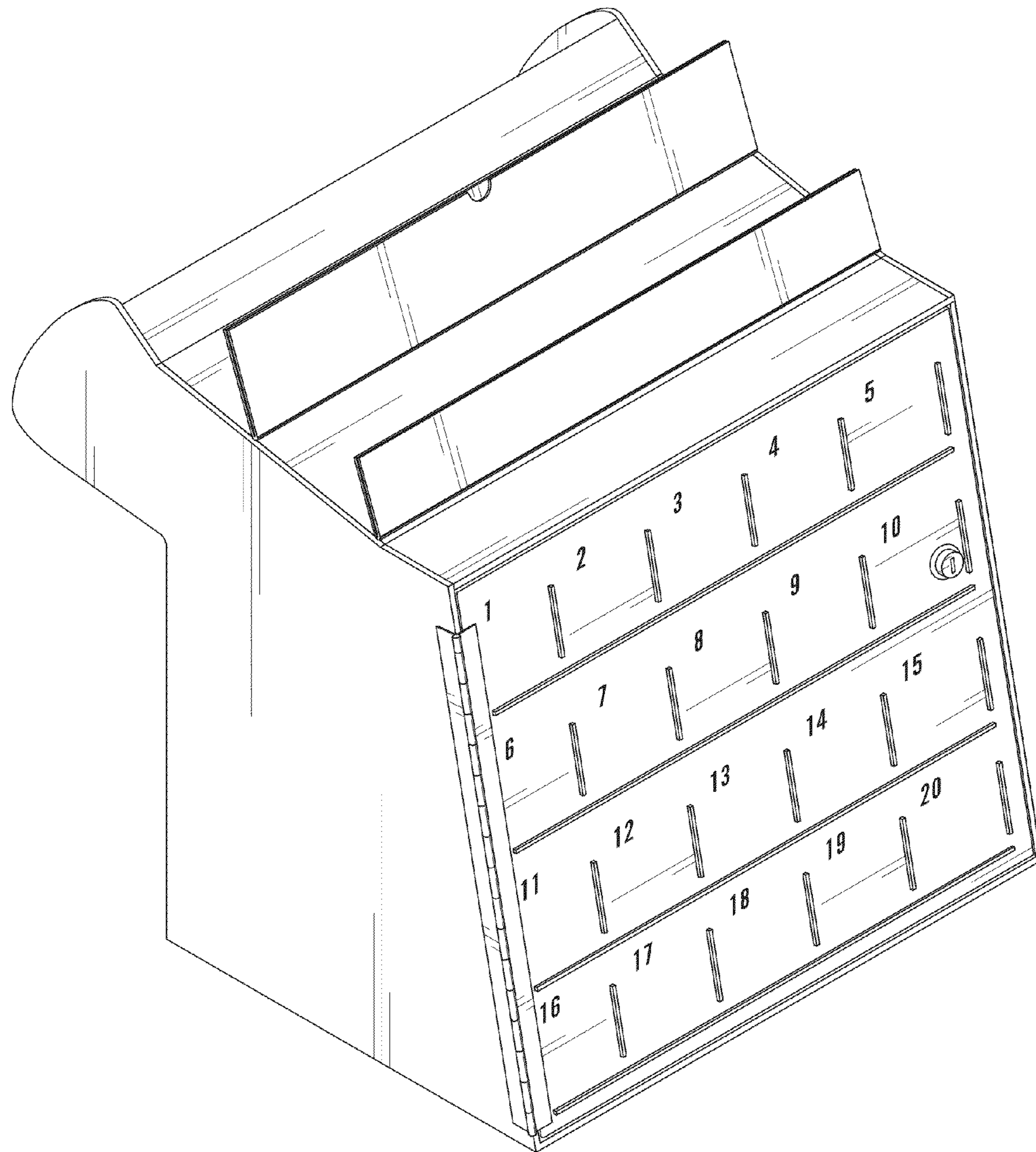


FIG. 1

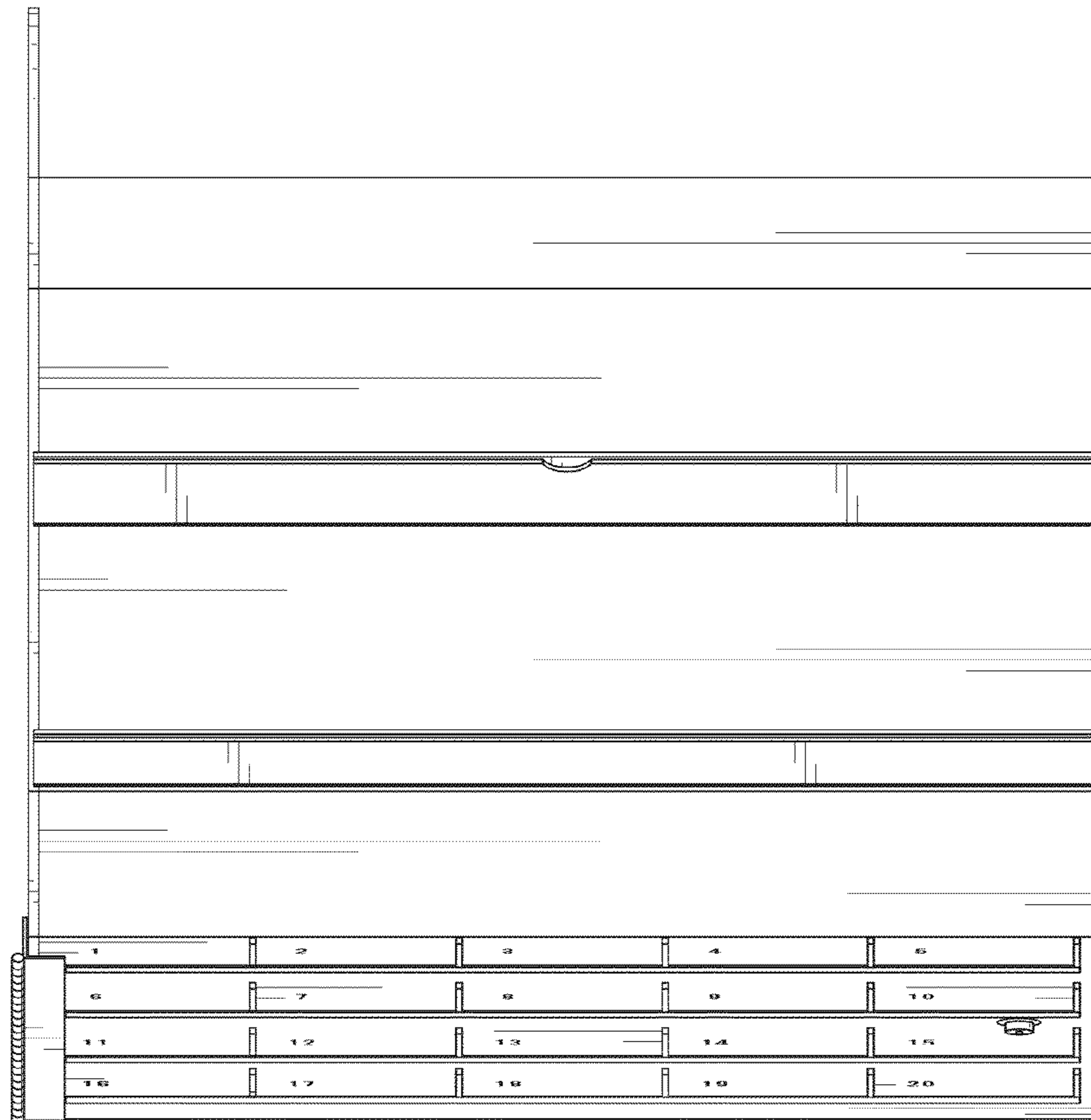


FIG. 2

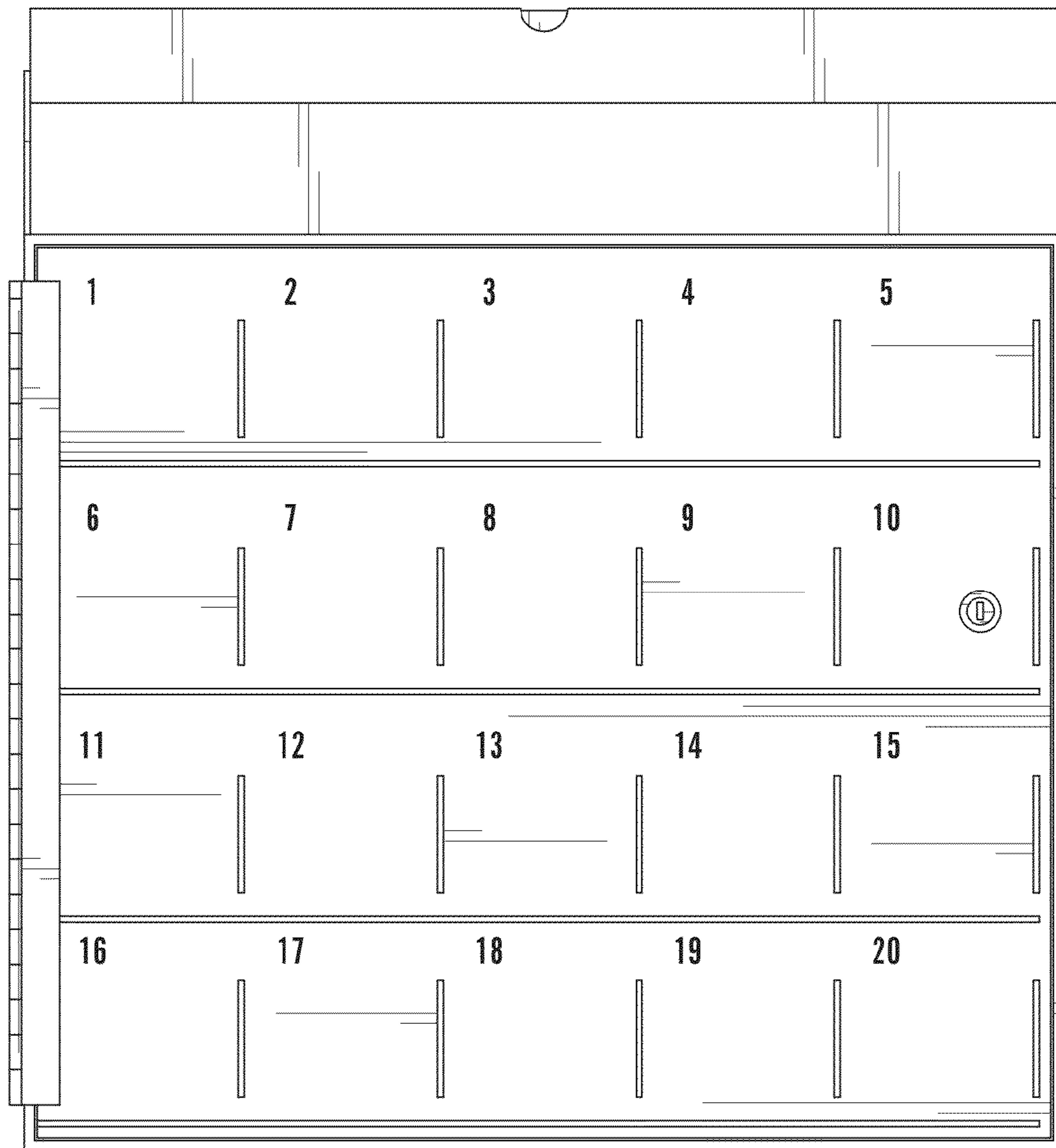


FIG. 3

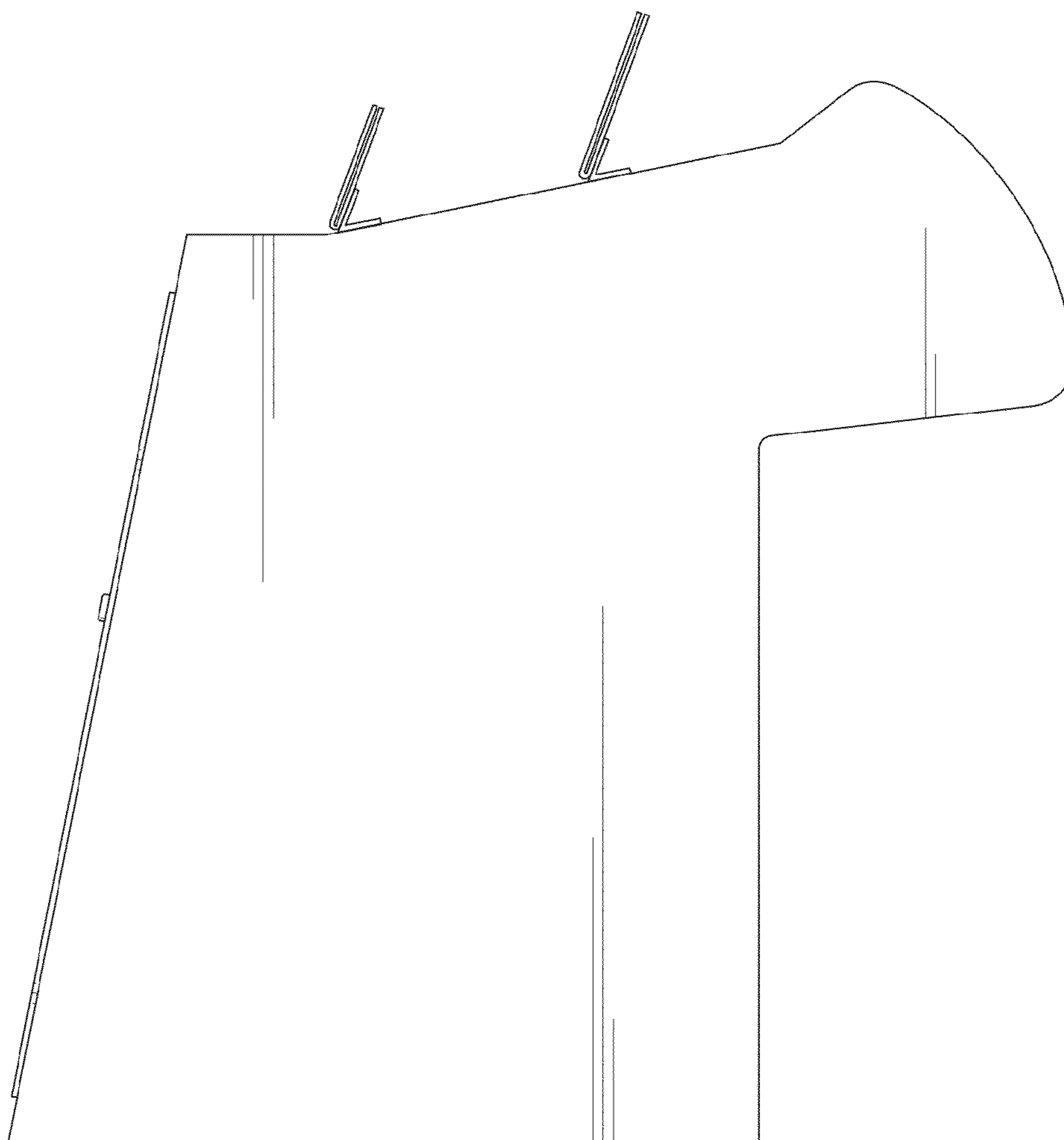


FIG. 4

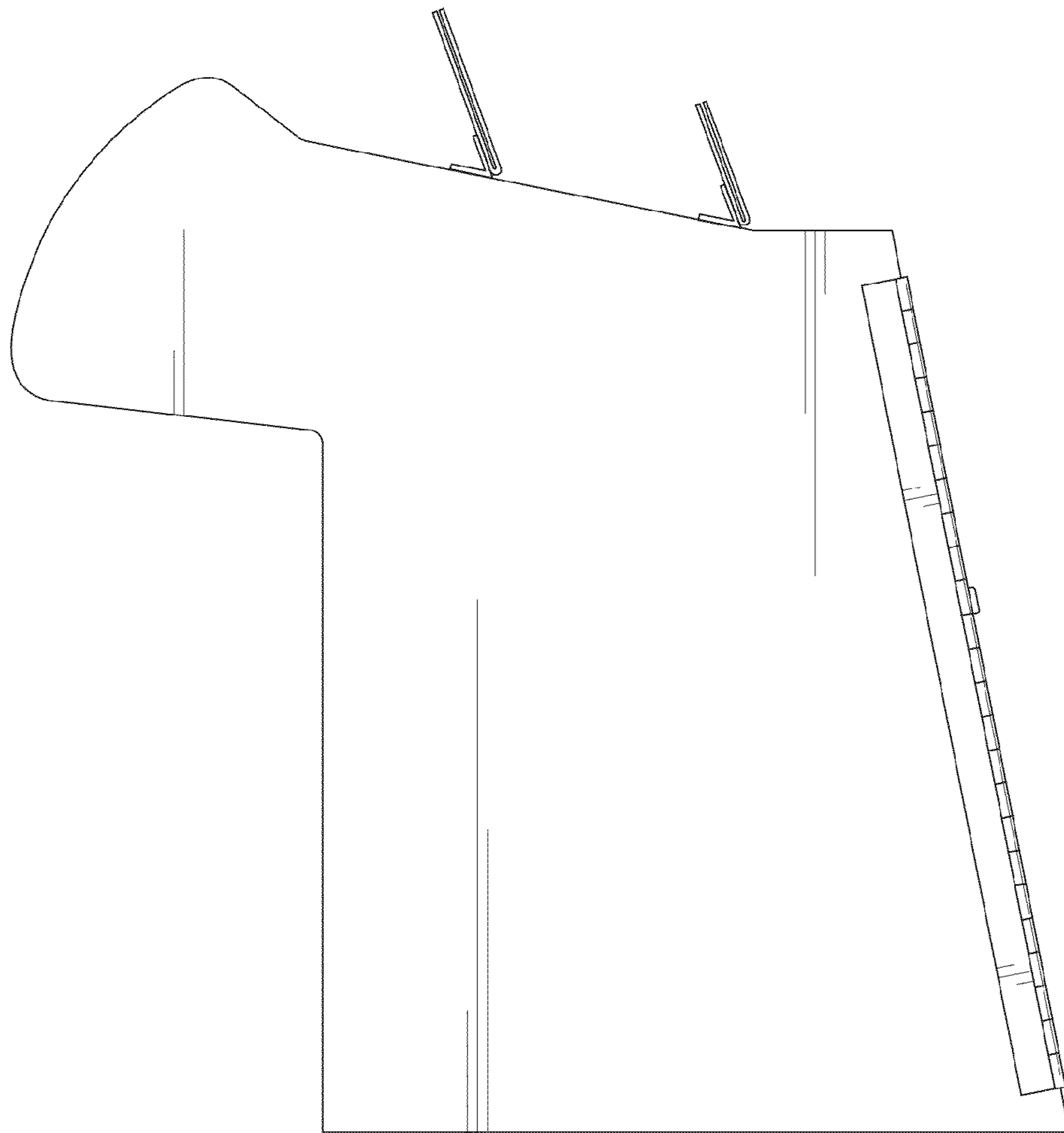


FIG. 5

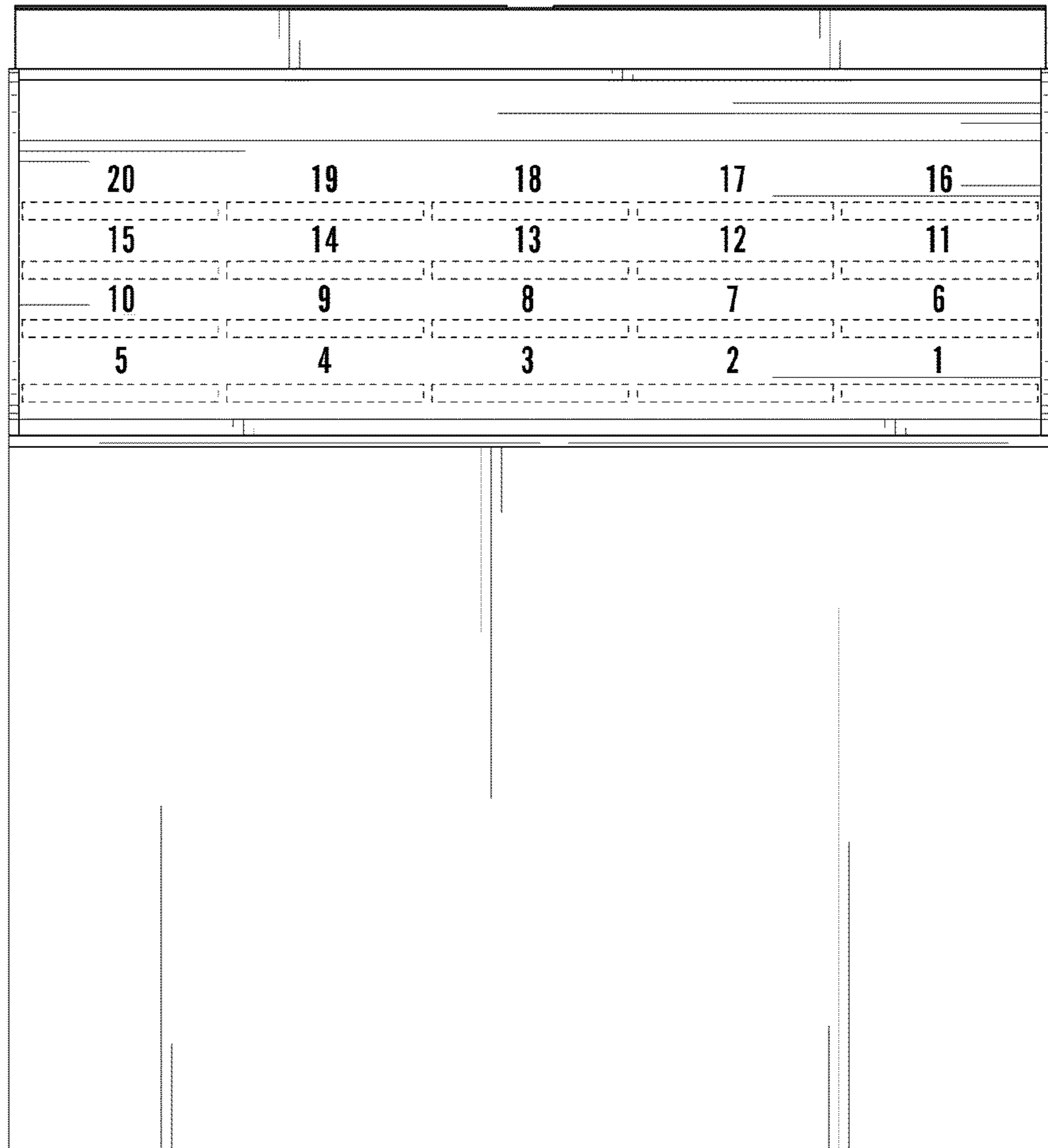


FIG. 6

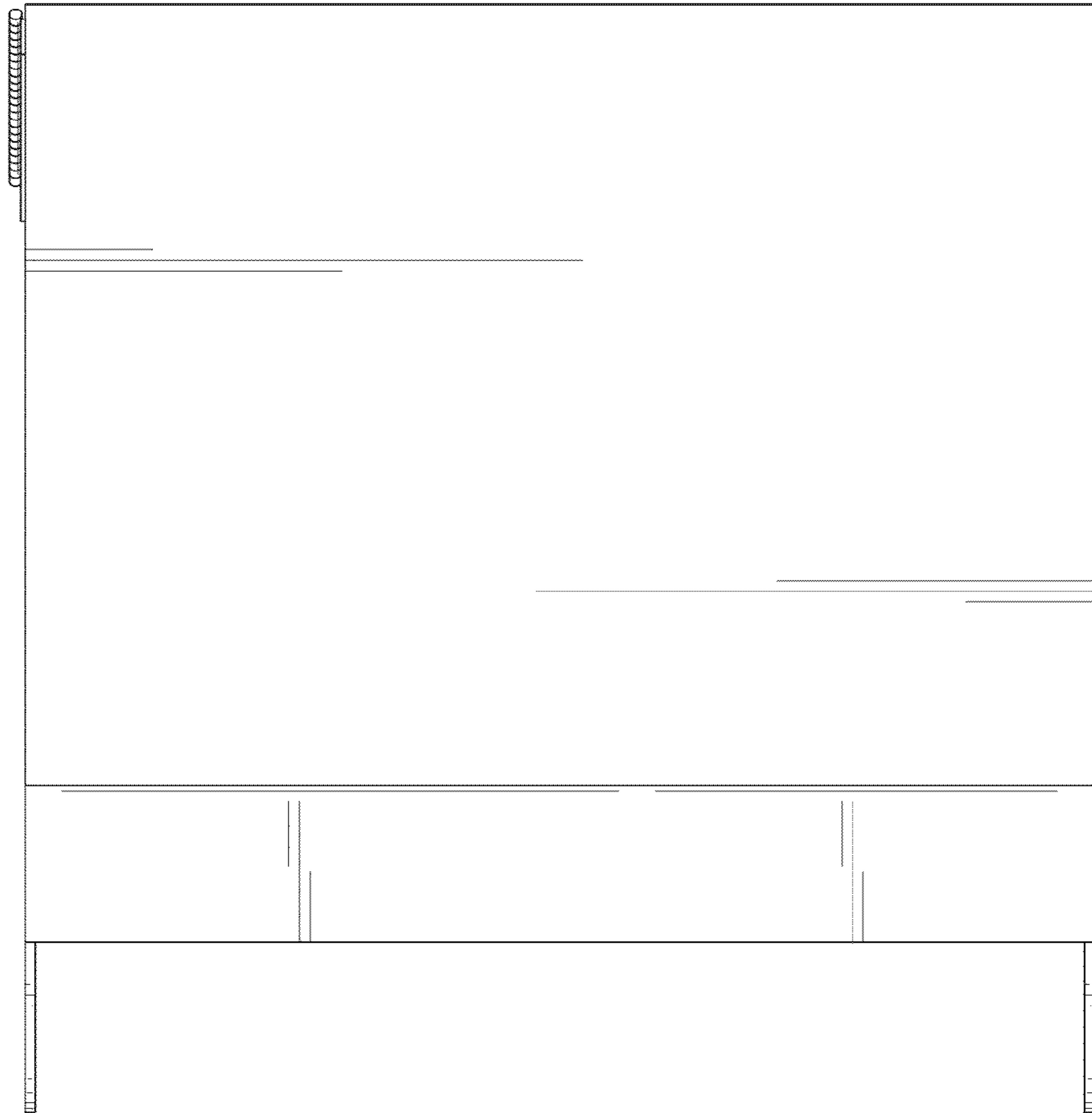


FIG. 7