



US00D726247S

(12) **United States Design Patent**
Inagaki

(10) **Patent No.:** **US D726,247 S**

(45) **Date of Patent:** **** Apr. 7, 2015**

(54) **ELECTRONIC PERCUSSION INSTRUMENT**

(75) Inventor: **Yoji Inagaki**, Hamamatsu (JP)

(73) Assignee: **Roland Corporation**, Hamamatsu (JP)

(**) Term: **14 Years**

(21) Appl. No.: **29/417,532**

(22) Filed: **Apr. 4, 2012**

(30) **Foreign Application Priority Data**

Dec. 14, 2011 (JP) 2011-029003

(51) **LOC (10) CL.** **17-04**

(52) **U.S. Cl.**
USPC **D17/22**

(58) **Field of Classification Search**
USPC D17/22, 24, 99; 84/102, 103, 104, 402,
84/403, 404, 406, 409, 410, 411 R, 414,
84/411 M, 411 P, 422.1-422.3, 457,
84/DIG. 12; D21/405

See application file for complete search history.

(56) **References Cited**

U.S. PATENT DOCUMENTS

D34,749 S *	7/1901	Walsh	D27/163
2,116,685 A *	5/1938	Nicolet	2/50
D241,974 S *	10/1976	Huster	D17/22
D267,494 S *	1/1983	Hardy	D17/22
D293,954 S *	1/1988	Moore	D34/39
5,121,666 A *	6/1992	Valen	84/453
D386,780 S	11/1997	Ohno		
D395,118 S *	6/1998	Cramer et al.	D34/39
D464,986 S *	10/2002	Hagiwara	D17/22
D507,014 S	7/2005	Ito		
D507,589 S	7/2005	Ito		
D568,378 S	5/2008	Nakao et al.		
7,612,273 B2	11/2009	Matsuyuki et al.		
D611,524 S *	3/2010	Lawrence, III	D17/22

D637,224 S *	5/2011	Smith	D17/24
8,686,264 B2 *	4/2014	Morita et al.	84/413
2007/0234886 A1 *	10/2007	Matsuyuki et al.	84/723

FOREIGN PATENT DOCUMENTS

JP	01-294154	2/2007	
WO	WO 2010024771 A1 *	3/2010 G10D 13/02

OTHER PUBLICATIONS

Pearl SD-20, pdf taken from <http://www.kawabatagakki.com/SHOP/zoomitem.cgi>, dated Jul. 7, 2011.

Roland Corporation, pdf of Japanese advertisement for Roland PDX-8, Copyright 1999-2011.

Roland Corporation, pdf of Japanese advertisement of the Roland PD-8, Copyright 1999-2011.

(Continued)

Primary Examiner — Rashida Johnson

(74) *Attorney, Agent, or Firm* — Foley & Lardner LLP

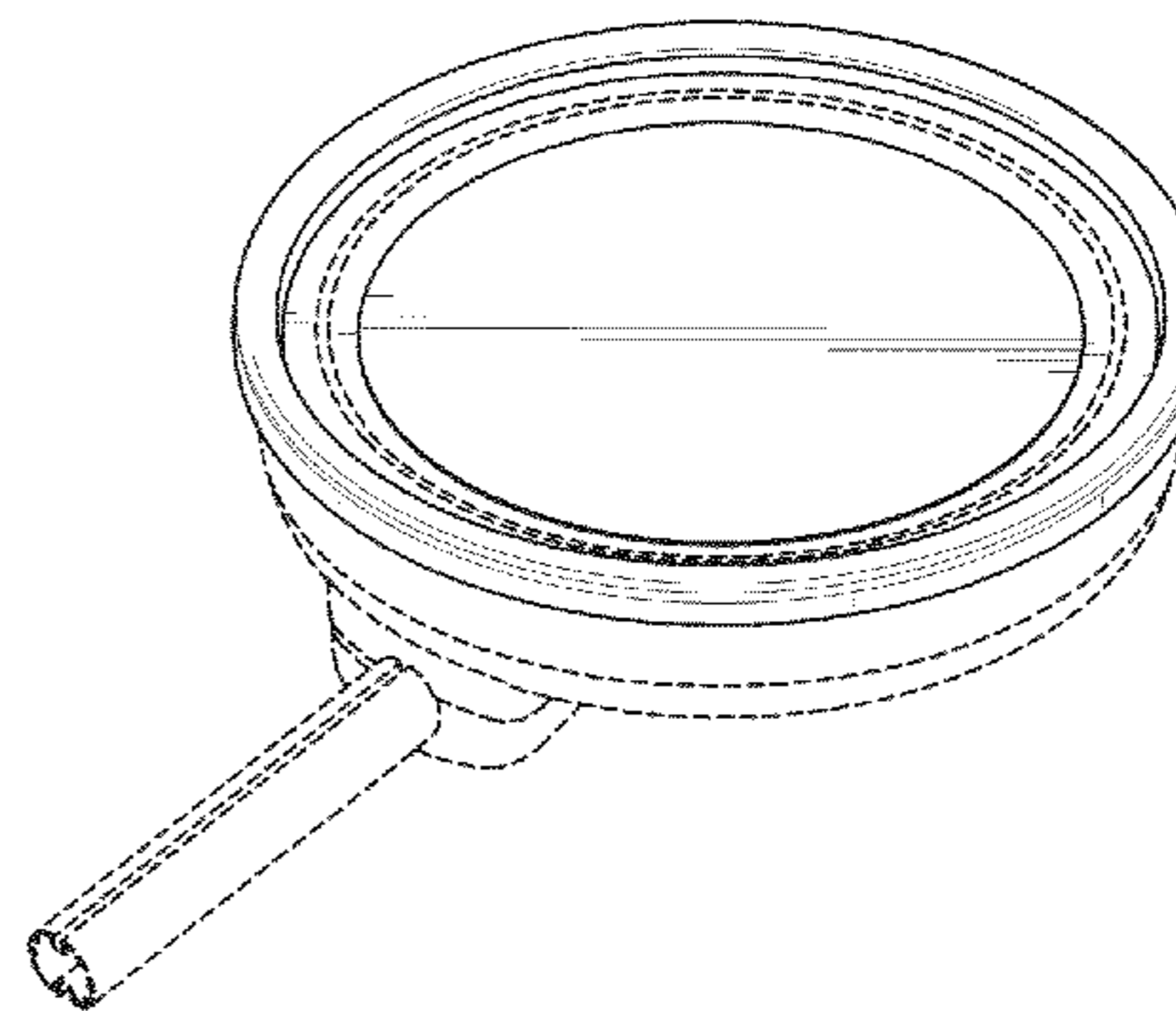
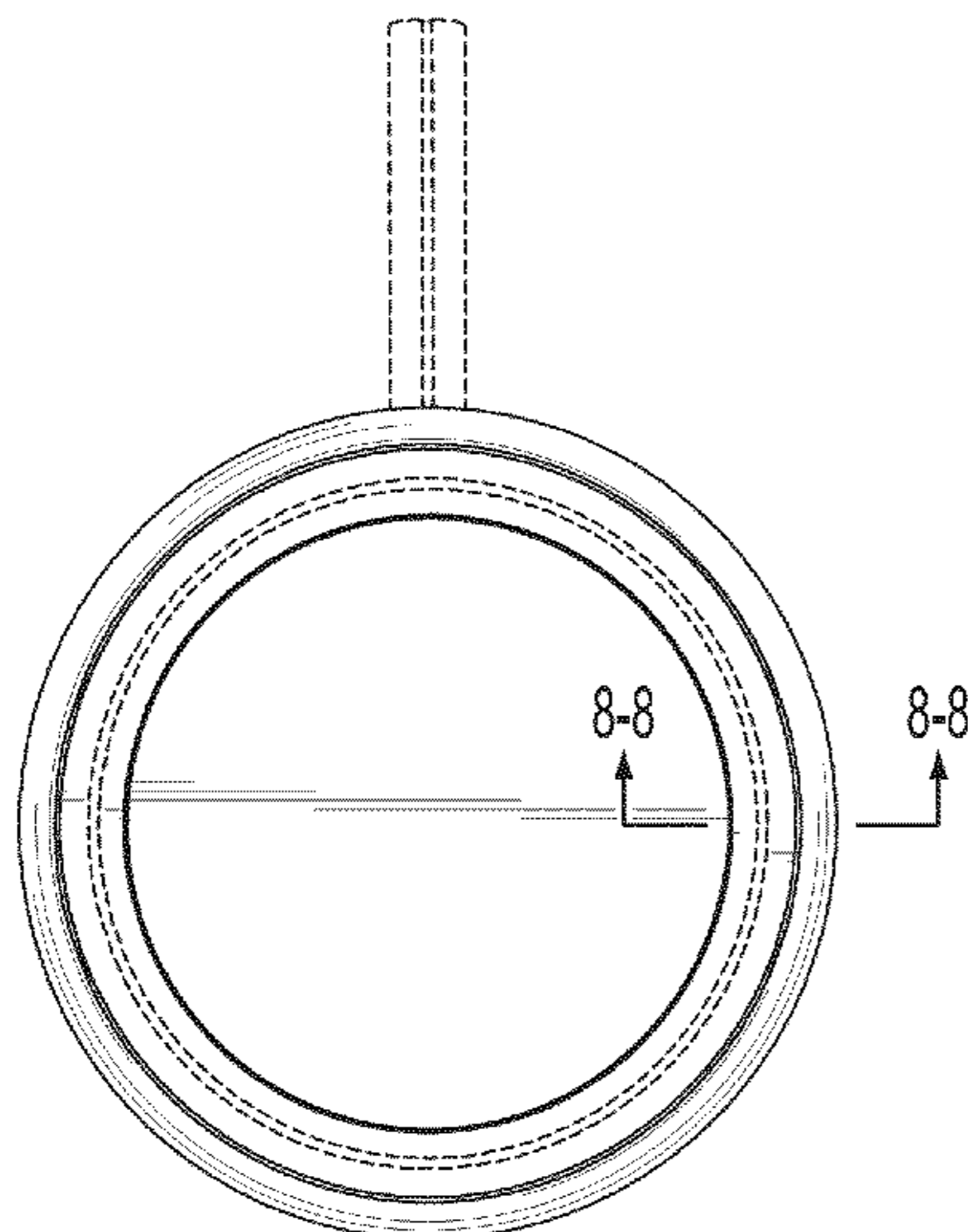
(57) **CLAIM**

I claim the ornamental design for an electronic percussion instrument, as shown and described.

DESCRIPTION

FIG. 1 is a top view of an electronic percussion instrument according to the claimed design;
FIG. 2 is a bottom view thereof;
FIG. 3 is a left side view thereof;
FIG. 4 is a right side view thereof;
FIG. 5 is a front view thereof;
FIG. 6 is a rear view thereof;
FIG. 7 is a perspective view thereof; and,
FIG. 8 is a cross-sectional view taken at line 8-8 of FIG. 1.
The broken lines in the drawings are for illustrative purposes only and form no part of the claimed design.

1 Claim, 5 Drawing Sheets



(56)

References Cited

OTHER PUBLICATIONS

Roland Corporation, pdf from D568378 (“Electronic Percussion Instrument”), issued May 5, 2008.

Roland Corporation, pdf from US7612273, issued Nov. 3, 2009.

TAMA TSP6, Japanese advertisement from http://www.amazon.co.jp/gp/product/images/B000Y7T4CE/ref=dp_image_0?ie=UTF8&n=2123629051&s=musical-in..., Jul. 7, 2011.

Yamaha Corporation, pdf from USD386780 (“Pad for Electric Drum”), issued Nov. 25, 1997.

Yamaha Corporation, pdf of D507589 (“Electronic Drum”), issued Jul. 19, 2005.

Yamaha Corporation, pdf of Japanese advertisement for TP100, Copyright 2011, from <http://jp.yamaha.com/products/musical-instruments/drums/el-drums/snare-pads/tp100/?mode=model>, Jul. 7, 2011.

Yamaha Corporation, pdf of Japanese Yamaha advertisement for DTX-XP80, Copyright 2011, taken from <http://jp.yamaha.com/products/musical-instruments/drums/el-drums/snare-pads/xp80/?mode=model>, Jul. 7, 2011.

Yamaha Corporation, pdf of Japanese Yamaha advertisement for TP65S, Copyright 2011 from <http://jp.yamaha.com/products/musical-instruments/drums/el-drums/snare-pads/tp65s/?mode=model>, Jul. 7, 2011.

Yamaha Corporation, pdf of Japanese Yamaha advertisement for XP120SD, Copyright 2011, taken from <http://jp.yamaha.com/products/musical-instruments/drums/el-drums/snare-pads/xp120sd/?mode=model>, Jul. 7, 2011.

Yamaha Corporation, pdf of Japanese Yamaha advertisement for XP120T, Copyright 2011, taken from <http://jp.yamaha.com/prod->

<http://jp.yamaha.com/products/musical-instruments/drums/el-drums/snare-pads/xp120t/?mode=model>, Jul. 7, 2011.

Yamaha Corporation, pdf of US D507014 (“Electronic Drum”), issued Jul. 5, 2005.

Pearl SD-20, <http://www.kawabatagakki.com/SHOP/zoomitem.cgi>, retrieved Jul. 7, 2011, 2 pages.

PDX-8, Roland Corporation, <http://www.roland.co.jp/products/jp/PDX-8/index.html>, Copyright 1999-2011, retrieved Jul. 7, 2011, 2 pages.

PD-8, Roland Corporation, <http://www.roland.co.jp/products/jp/PD-8/index.html>, Copyright 1999-2011, retrieved Jul. 7, 2011, 2 pages.

Tama TSP6, http://www.amazon.co.jp/gp/product/images/B000Y7T4CE/ref=dp_image_0?ie=UTF8&n=2123629051&s=musical-in..., retrieved Jul. 7, 2011, 2 pages.

TP100, Yamaha Corporation, <http://jp.yamaha.com/products/musical-instruments/drums/el-drums/snare-pads/tp100/?mode=model>, Copyright 2011, retrieved Jul. 7, 2011, 2 pages.

DTX-XP80, Yamaha Corporation, <http://jp.yamaha.com/products/musical-instruments/drums/el-drums/snare-pads/xp80/?mode=model>, Copyright 2011, retrieved Jul. 7, 2011, 2 pages.

TP65S, Yamaha Corporation, <http://jp.yamaha.com/products/musical-instruments/drums/el-drums/snare-pads/tp65s/?mode=model>, Copyright 2011, retrieved Jul. 7, 2011, 2 pages.

XP120SD, Yamaha Corporation, <http://jp.yamaha.com/products/musical-instruments/drums/el-drums/snare-pads/xp120sd/?mode=model>, Copyright 2011, retrieved Jul. 7, 2011, 2 pages.

XP120T, Yamaha Corporation, Copyright 2011, <http://jp.yamaha.com/products/musical-instruments/drums/el-drums/snare-pads/xp120t/?mode=model>, Copyright 2011, retrieved Jul. 7, 2011, 2 pages.

* cited by examiner

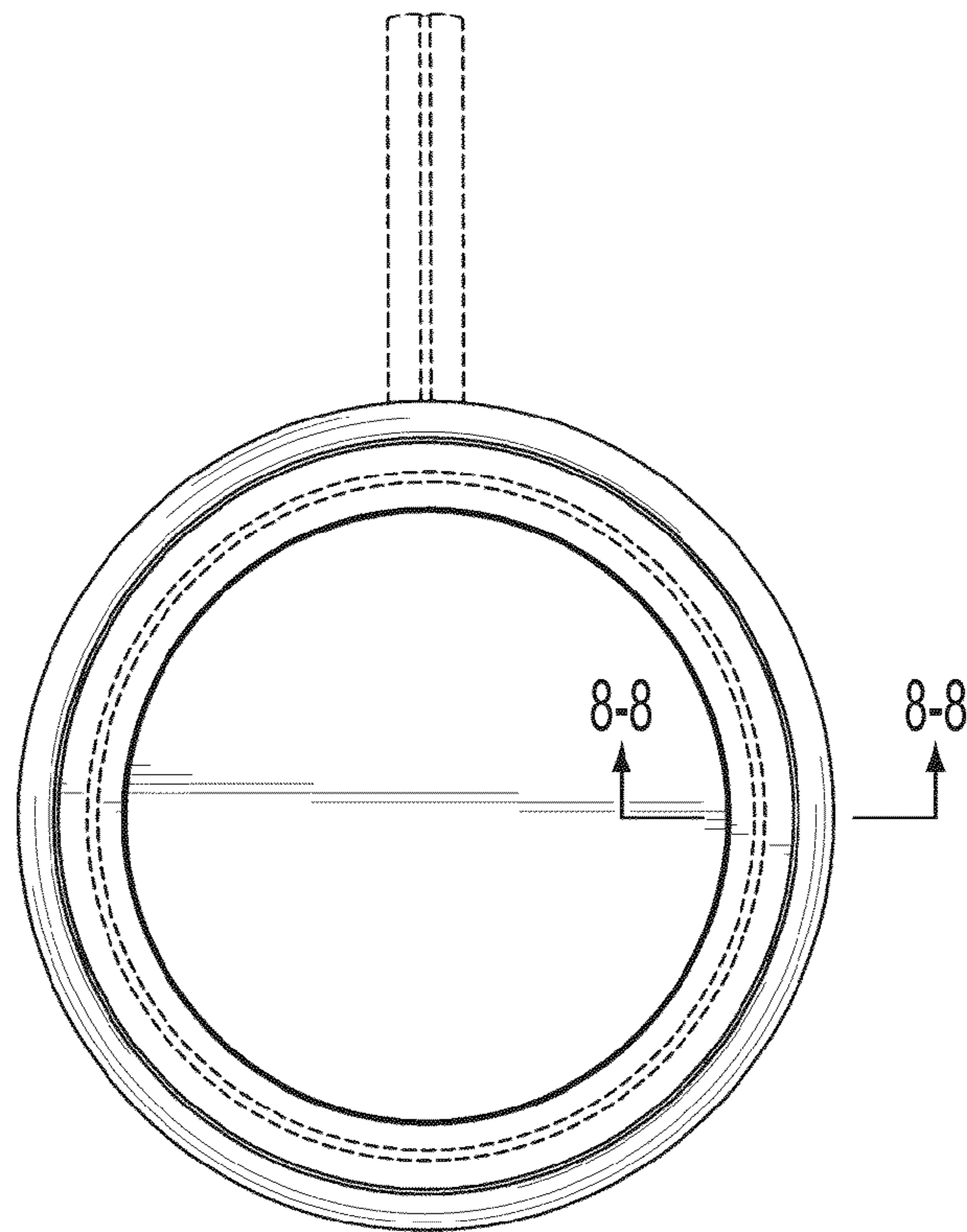


FIG. 1

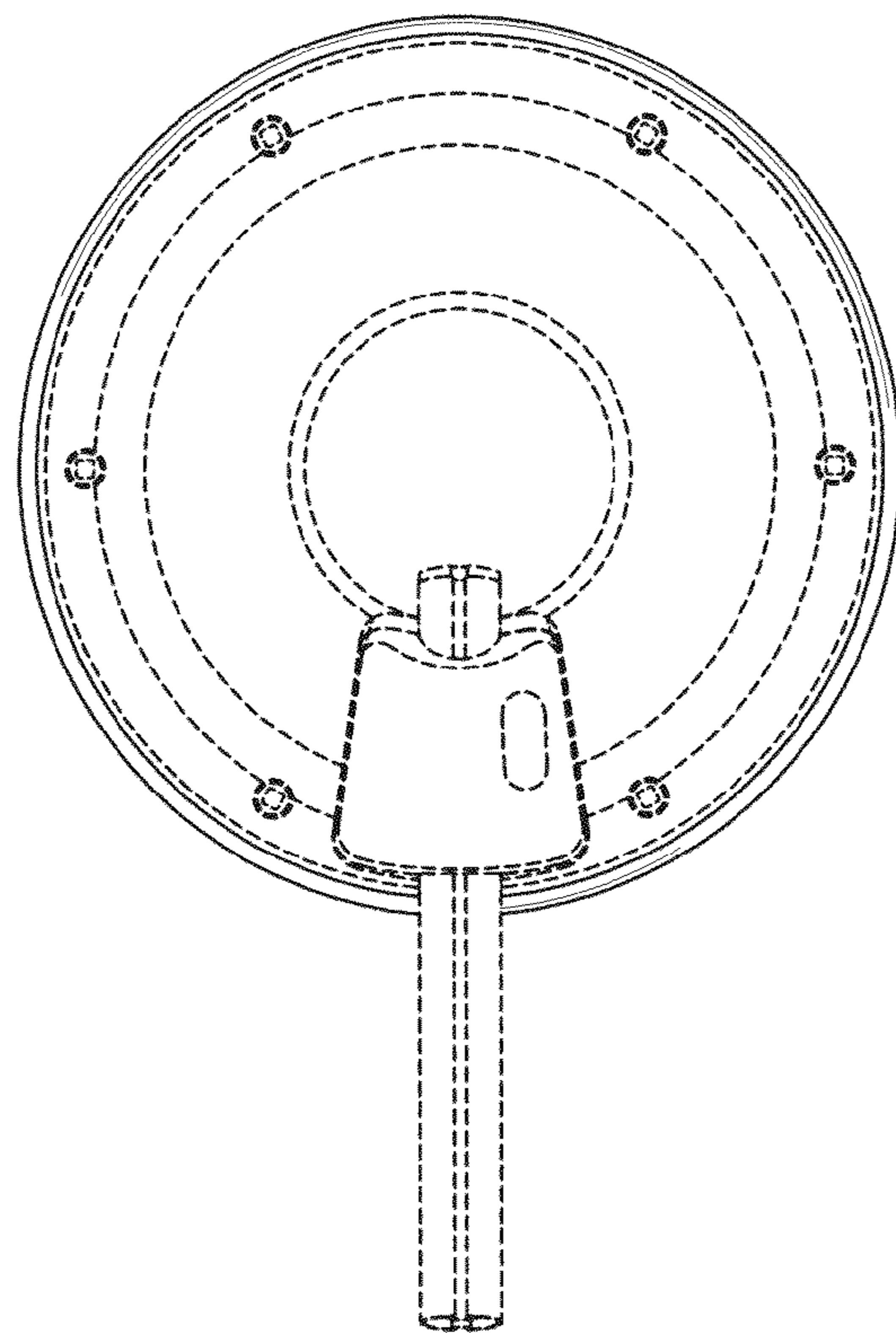


FIG. 2

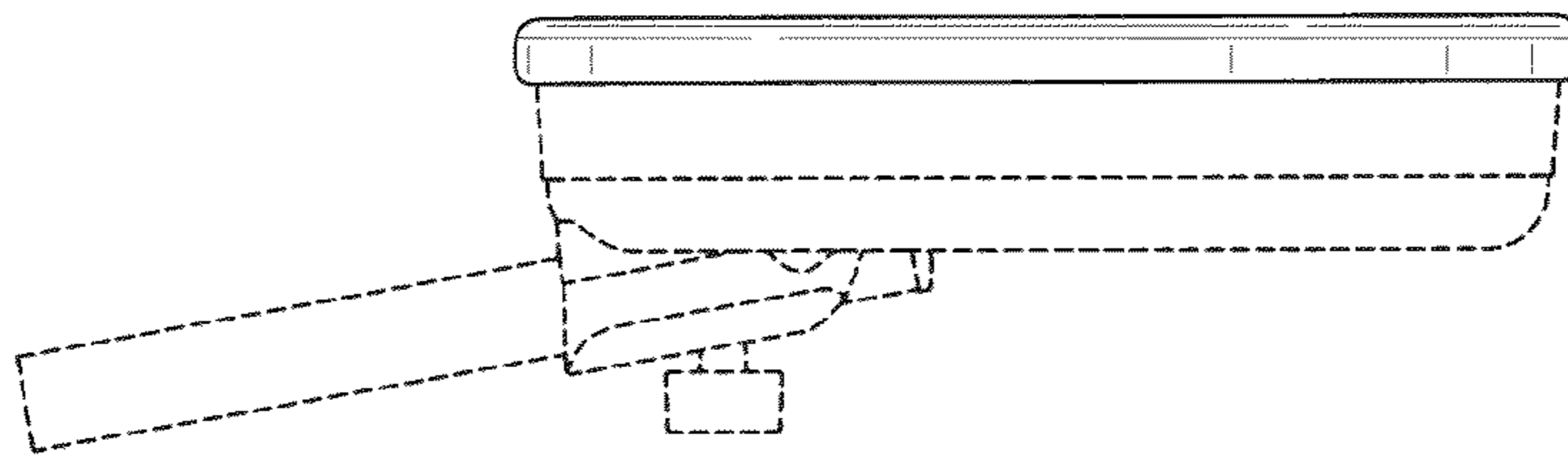


FIG. 3

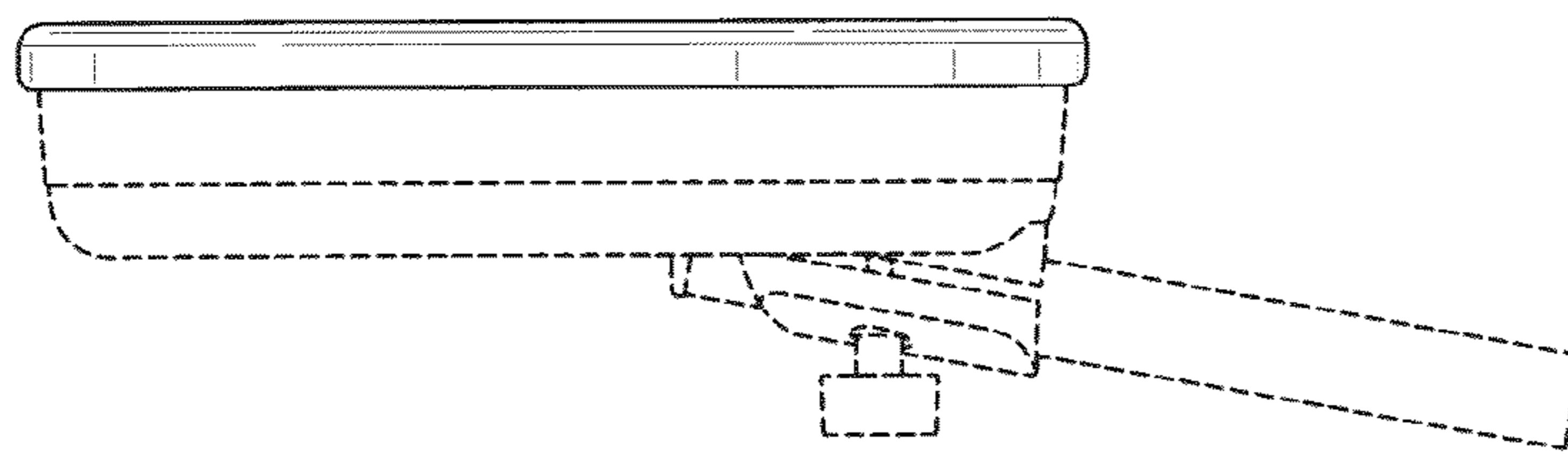


FIG. 4

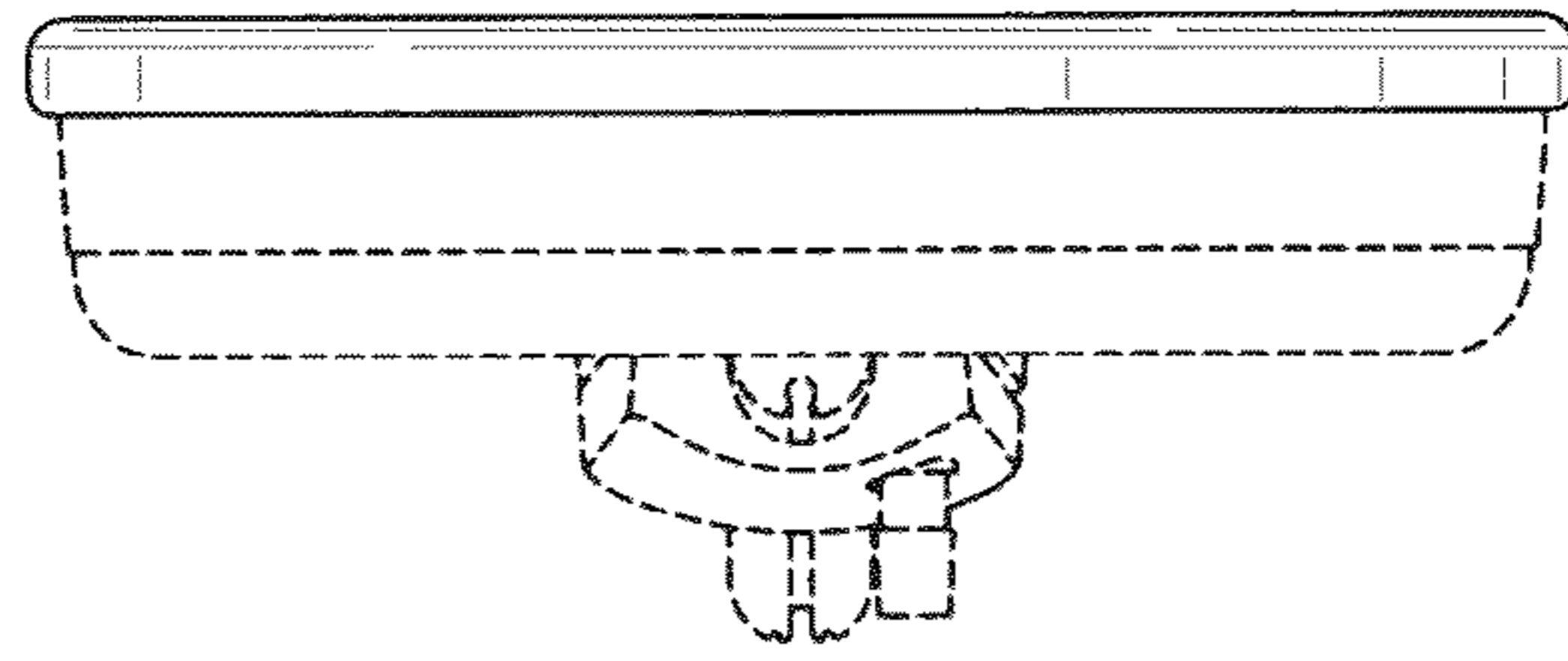


FIG. 5

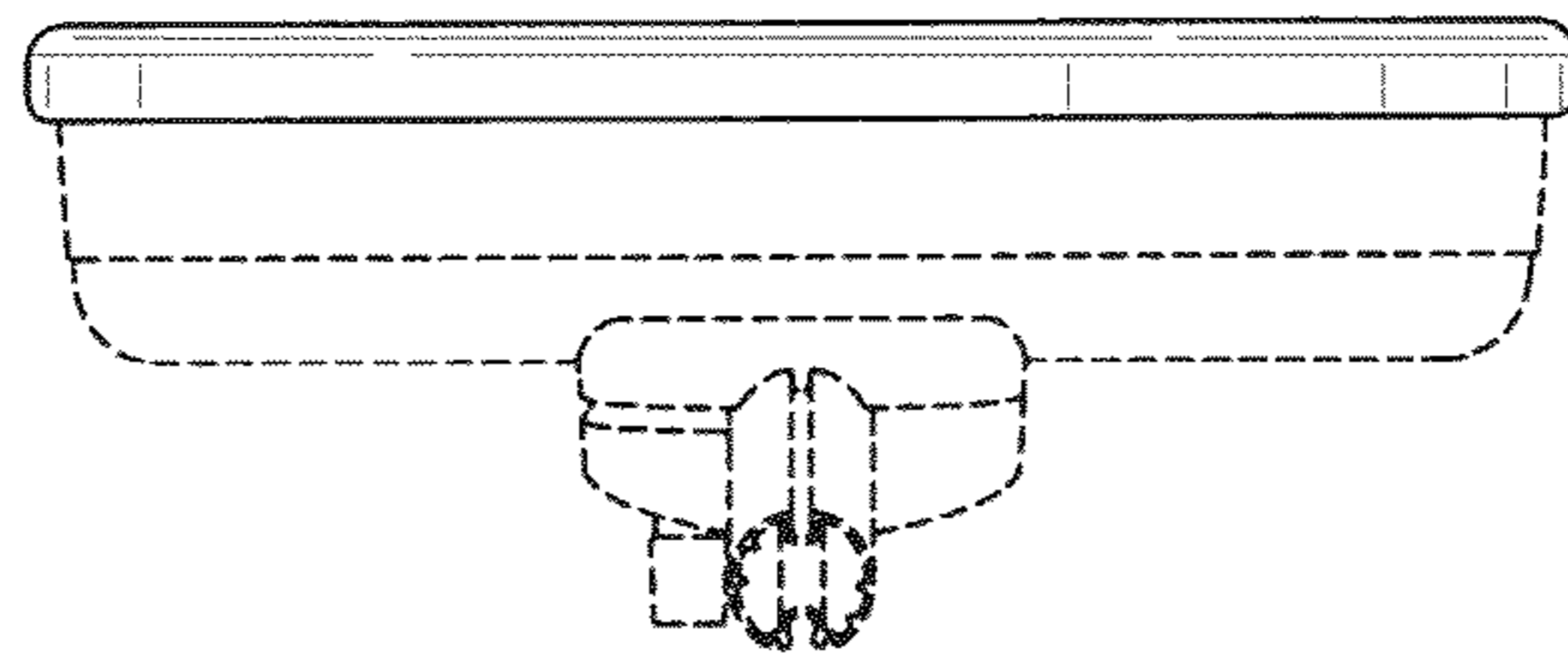


FIG. 6

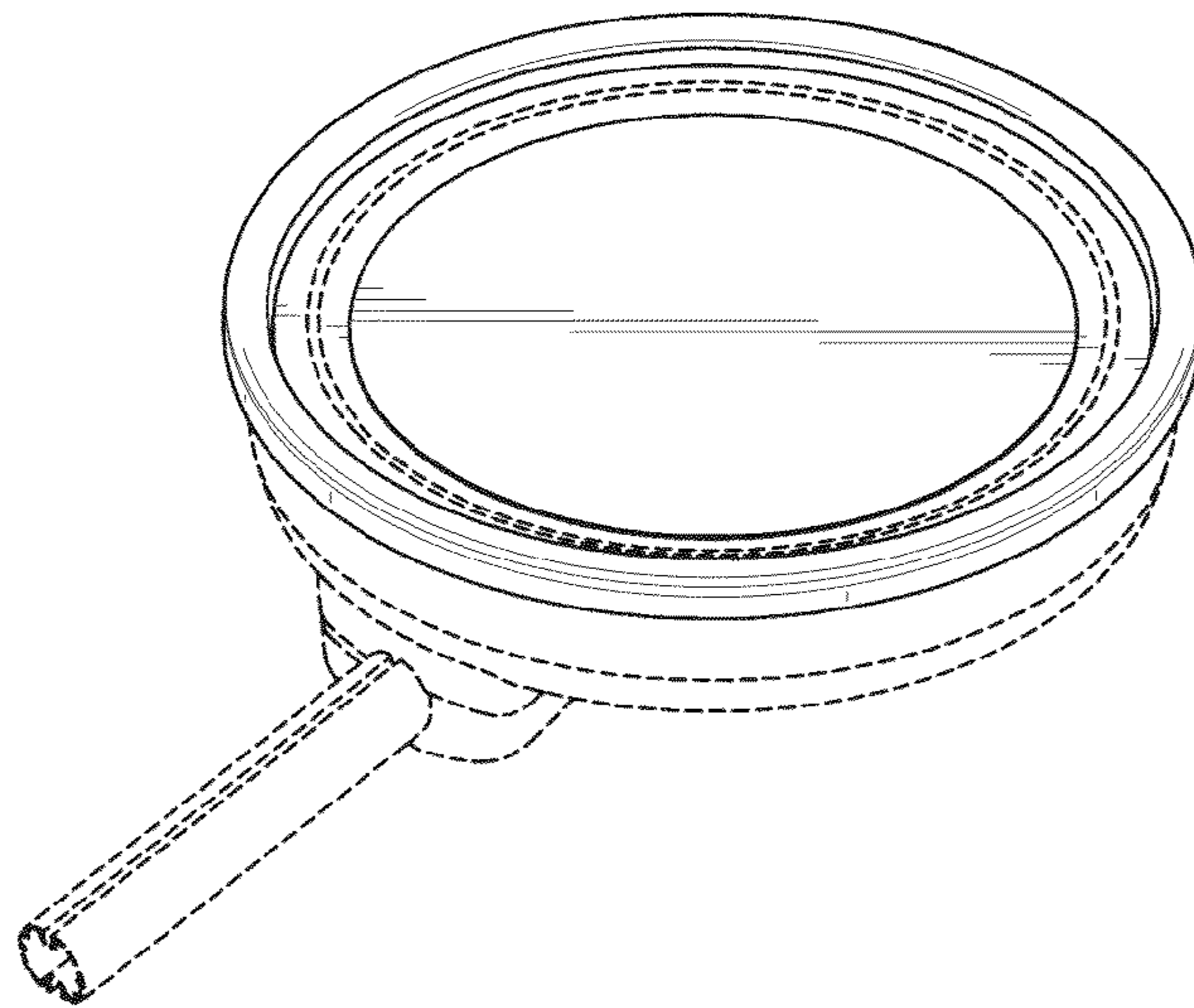


FIG. 7

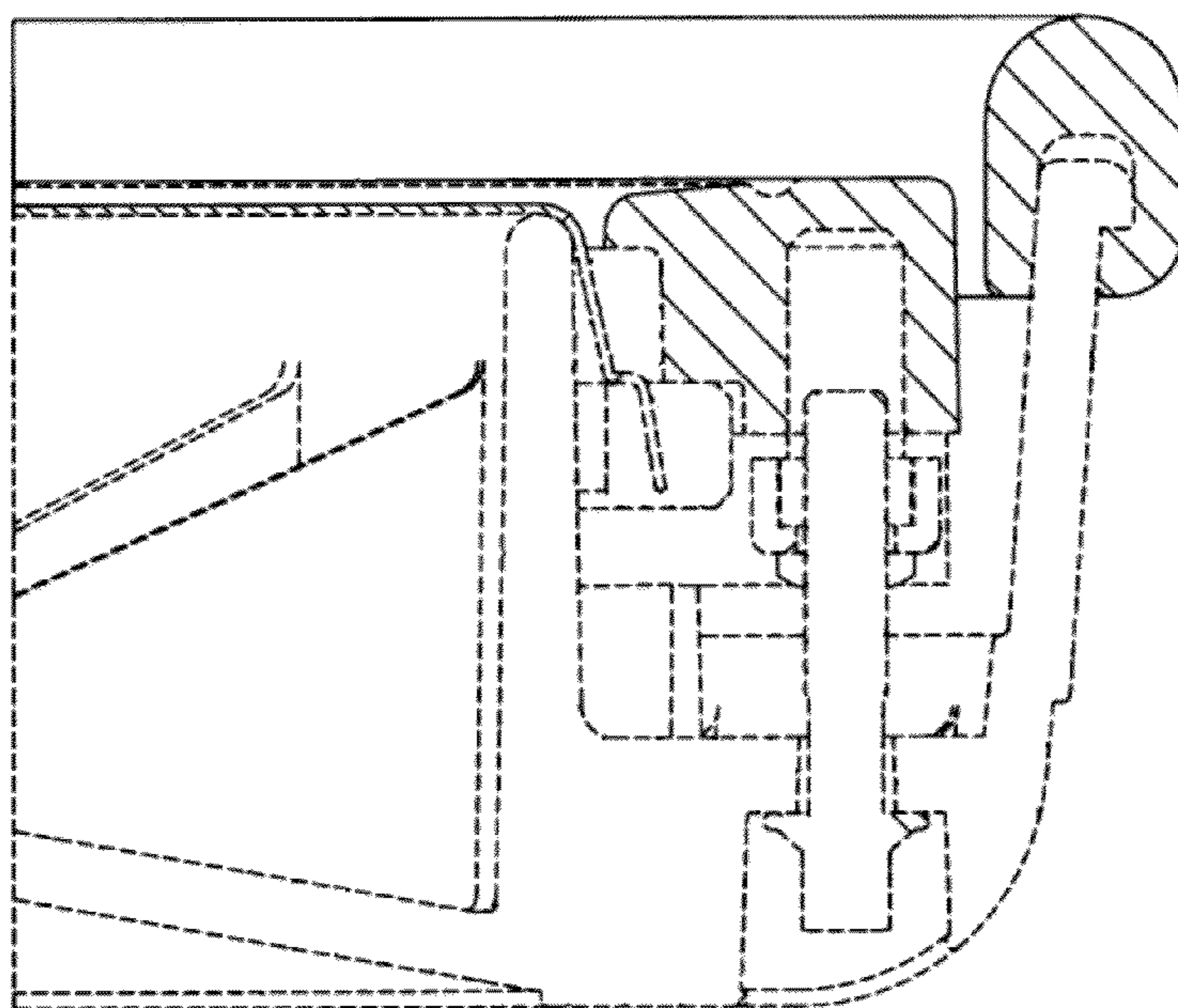


FIG. 8