



US00D726242S

(12) **United States Design Patent**  
**Klinger**

(10) **Patent No.:** **US D726,242 S**

(45) **Date of Patent:** **\*\* Apr. 7, 2015**

(54) **HANDLE**

(71) Applicant: **Astro Worx, Inc.**, Troutman, NC (US)

(72) Inventor: **Ryan Klinger**, Troutman, NC (US)

(73) Assignee: **Astro Worx, Inc.**, Asheville, NC (US)

(\*\*) Term: **14 Years**

(21) Appl. No.: **29/459,106**

(22) Filed: **Jun. 26, 2013**

(51) **LOC (10) Cl.** ..... **16-05**

(52) **U.S. Cl.**  
USPC ..... **D16/243**

(58) **Field of Classification Search**  
CPC ..... G03B 17/14; G03B 17/26; G03B 17/30;  
G03B 17/56; G03B 17/561-17/568; G03B  
21/54; F16M 11/14; F16M 11/26; F16M  
13/04; H04N 5/2254  
USPC ..... D16/205, 208, 211, 214, 218-220, 235,  
D16/237-250, 302, 303; D8/354, 363, 394,  
D8/395; D14/217, 251, 253, 447, 452  
See application file for complete search history.

(56) **References Cited**

**U.S. PATENT DOCUMENTS**

5,121,147 A \* 6/1992 Wada et al. .... 396/198  
D351,851 S \* 10/1994 Justice ..... D16/243  
D367,284 S \* 2/1996 Hoerter ..... D16/242  
5,721,997 A \* 2/1998 Powell et al. .... 396/420

D399,863 S \* 10/1998 LaCicero ..... D16/242  
6,042,277 A \* 3/2000 Errington ..... 396/419  
6,697,118 B2 \* 2/2004 Zadok ..... 348/375  
D503,421 S 3/2005 McElderry  
D519,145 S 4/2006 McElderry  
D519,541 S 4/2006 McElderry  
D590,867 S \* 4/2009 Schenone et al. .... D16/242  
D715,847 S \* 10/2014 Herrero ..... D16/243

**OTHER PUBLICATIONS**

The Original Handle. [online] Retrieved Jan. 7, 2015 from URL:  
<<http://www.goworx.com/product/the-original-handle/>>.\*

\* cited by examiner

*Primary Examiner* — Susan Bennett Hattan

*Assistant Examiner* — Vy Koenig

(74) *Attorney, Agent, or Firm* — Ward and Smith, P.A.

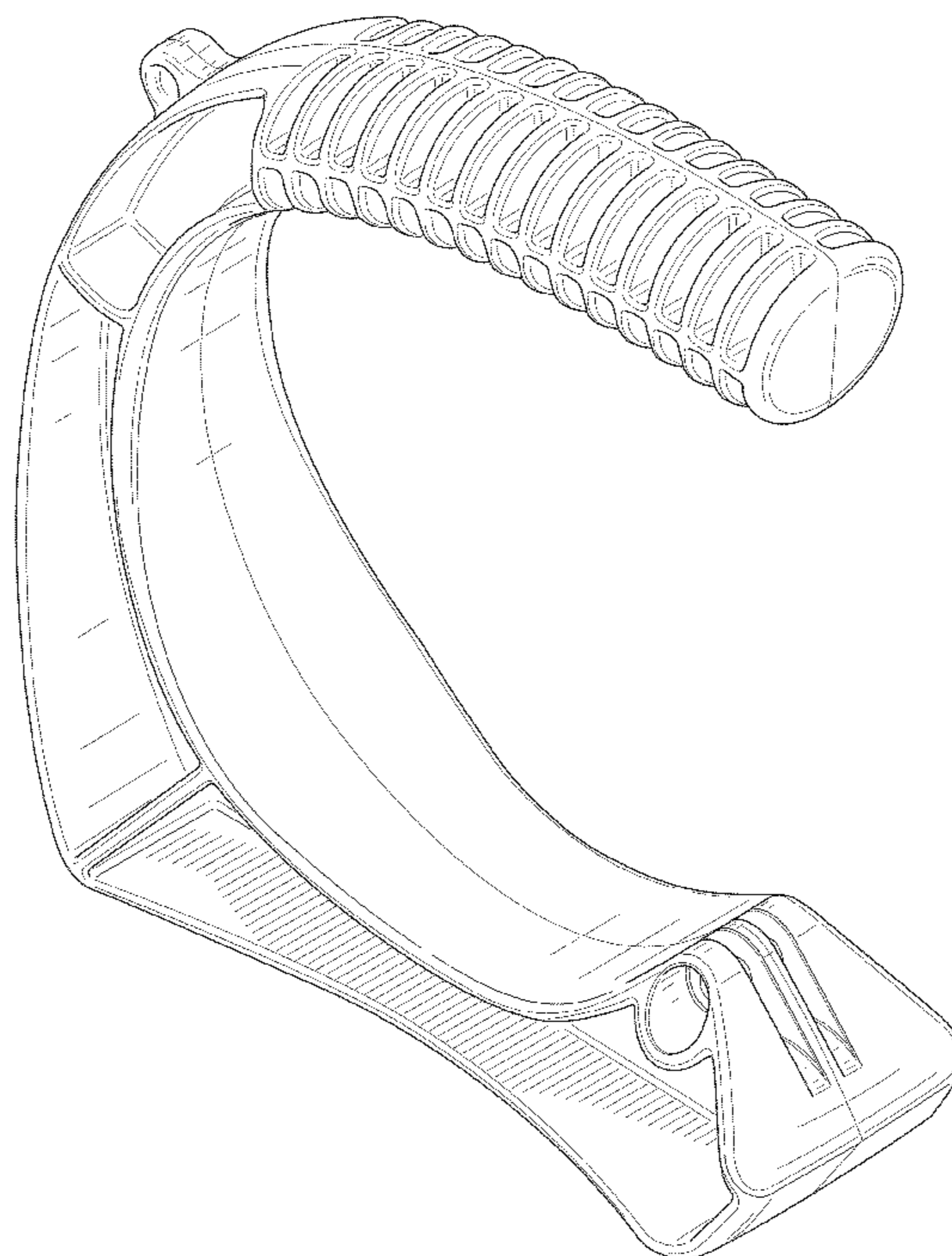
(57) **CLAIM**

The ornamental design for a handle, as shown and described.

**DESCRIPTION**

FIG. 1 is a front left side perspective view of a handle showing a new design;  
FIG. 2 is a left side elevation view thereof;  
FIG. 3 is a right side elevation view thereof;  
FIG. 4 is a front elevation view thereof;  
FIG. 5 is a rear elevation view thereof;  
FIG. 6 is a top plan view thereof;  
FIG. 7 is a bottom plan view thereof; and,  
FIG. 8 is another front left side perspective view thereof.  
The dashed lines shown in the drawings depict environmental subject matter only and form no part of the claimed design.

**1 Claim, 7 Drawing Sheets**



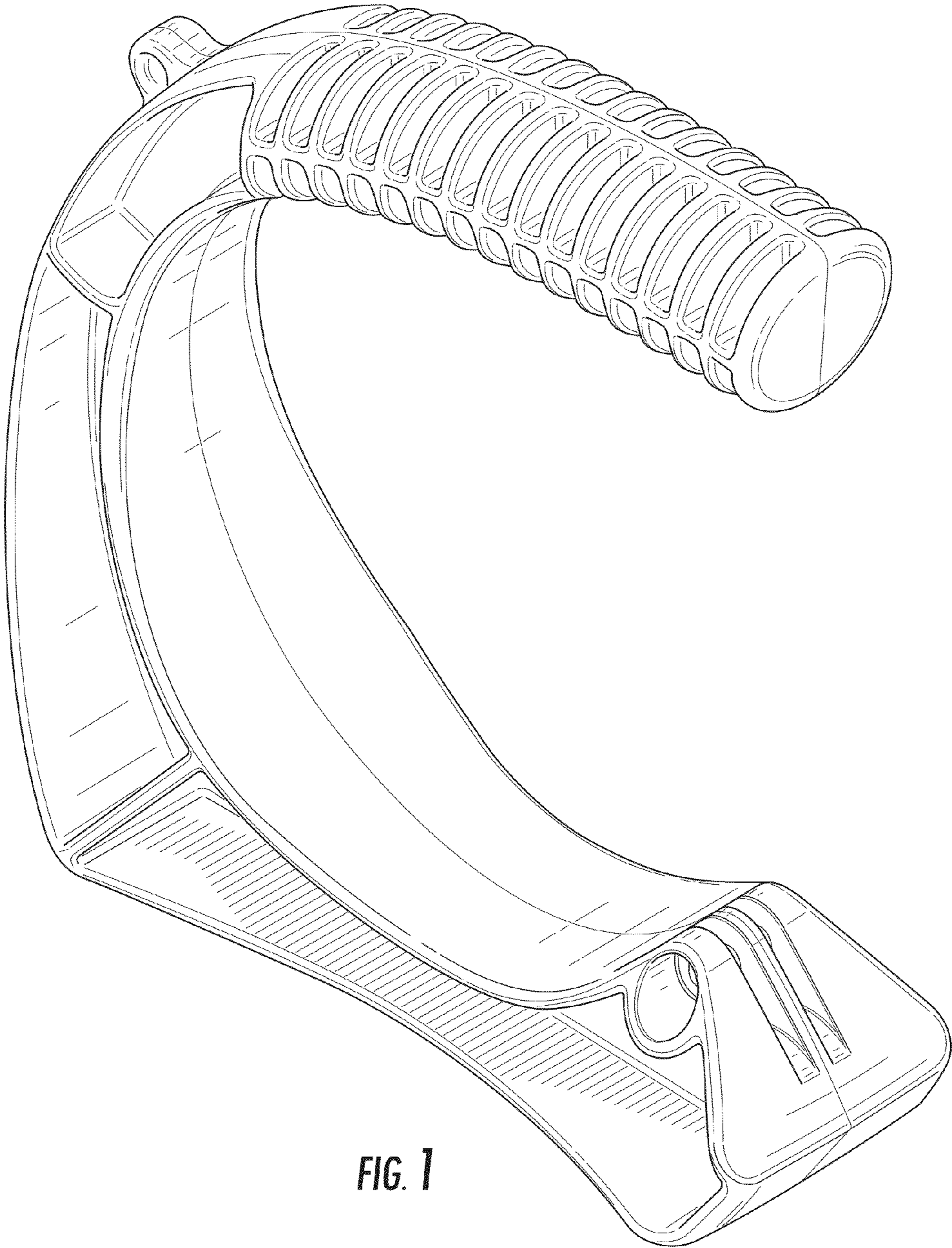


FIG. 1

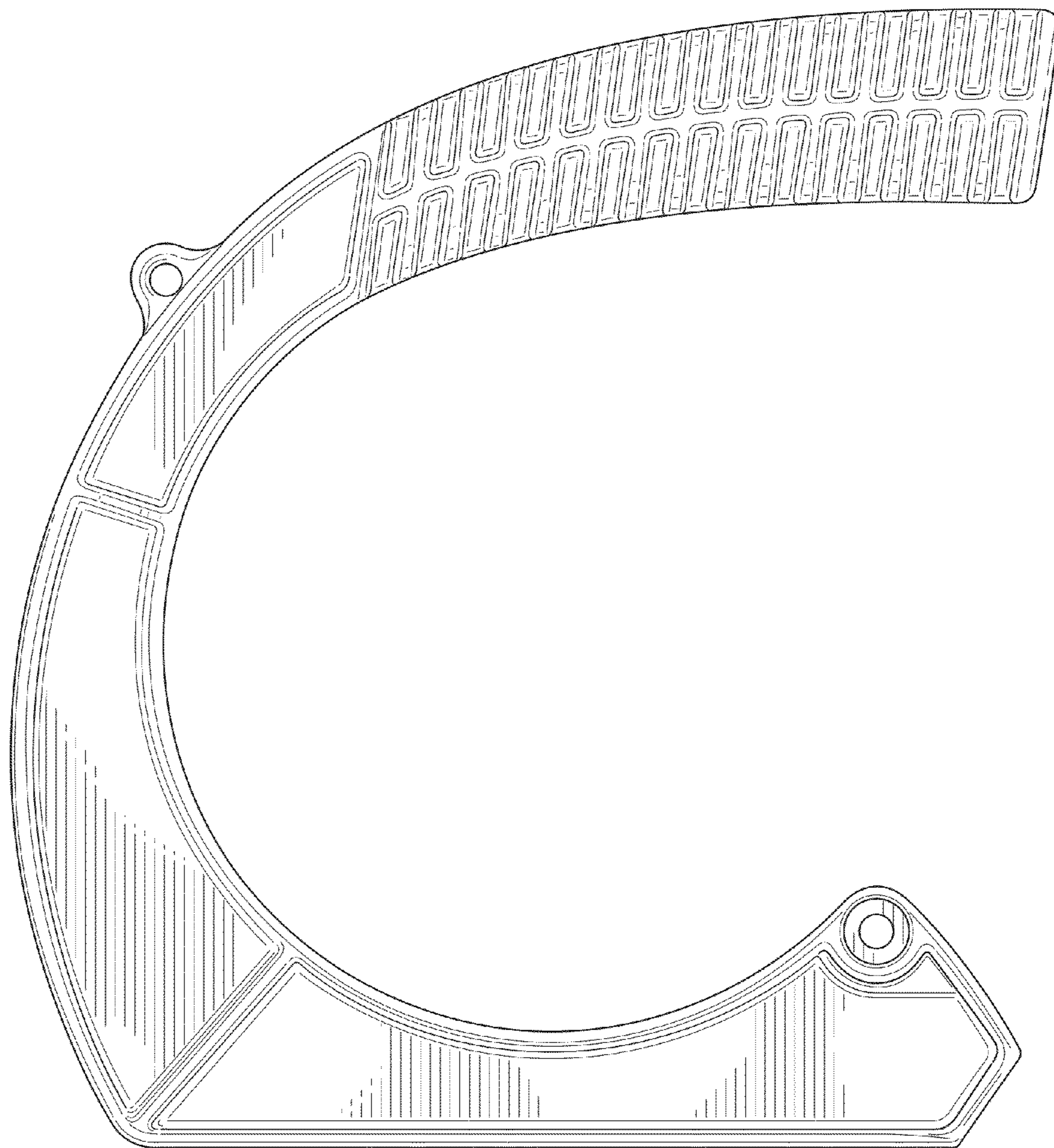


FIG. 2

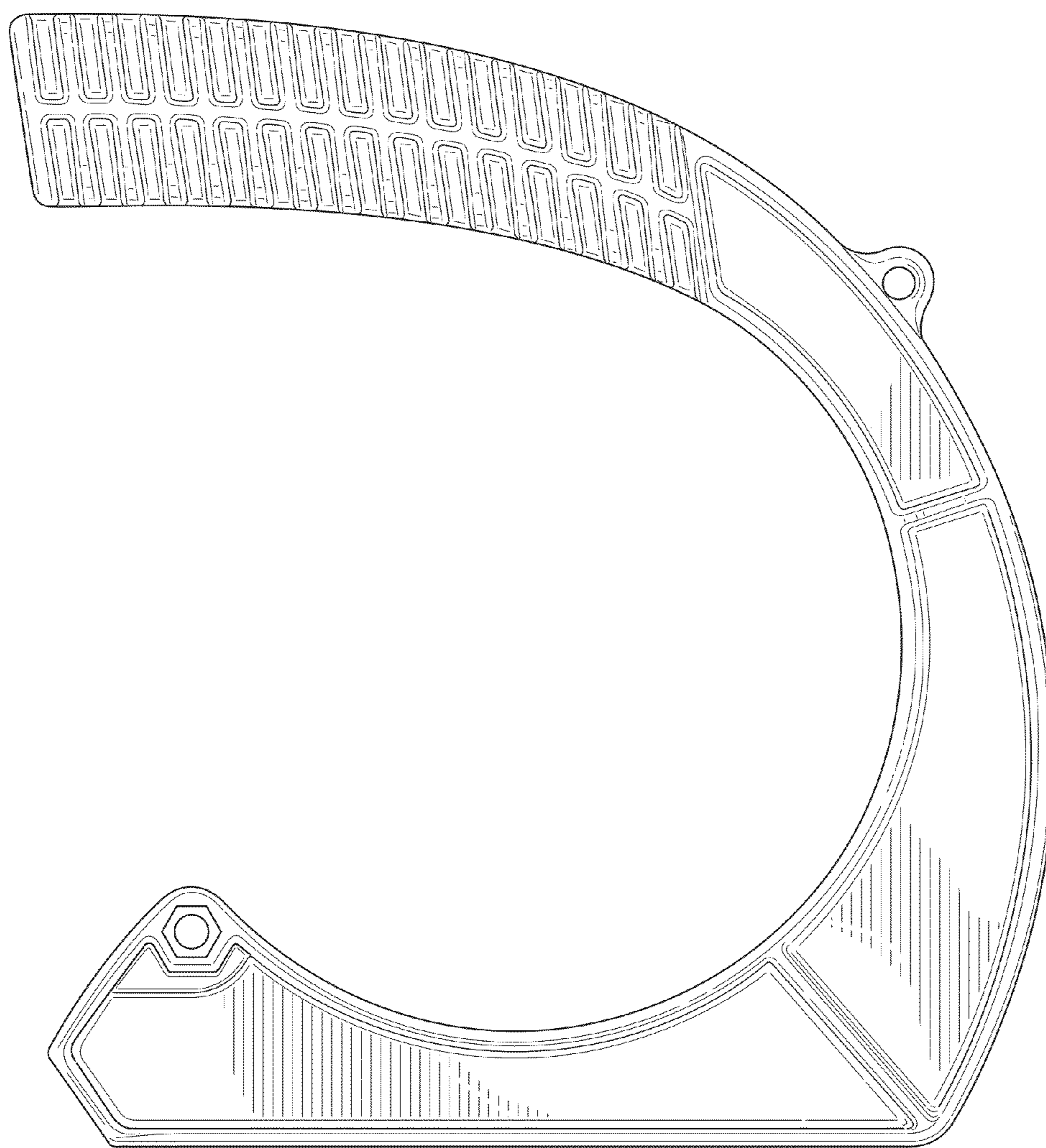


FIG. 3

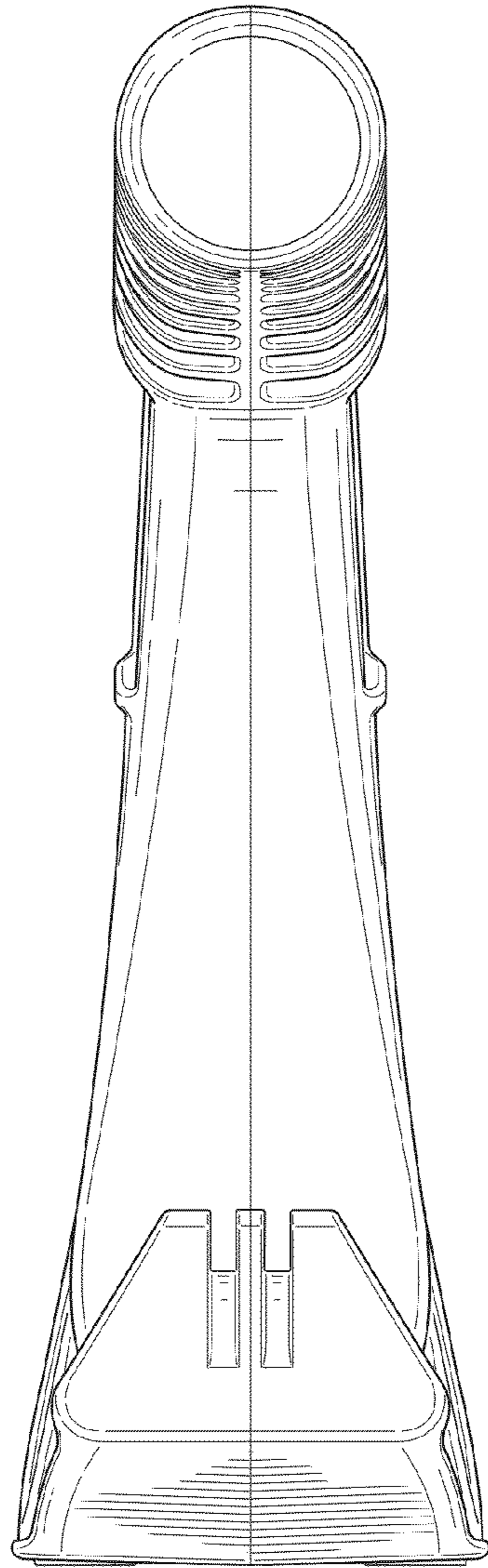


FIG. 4

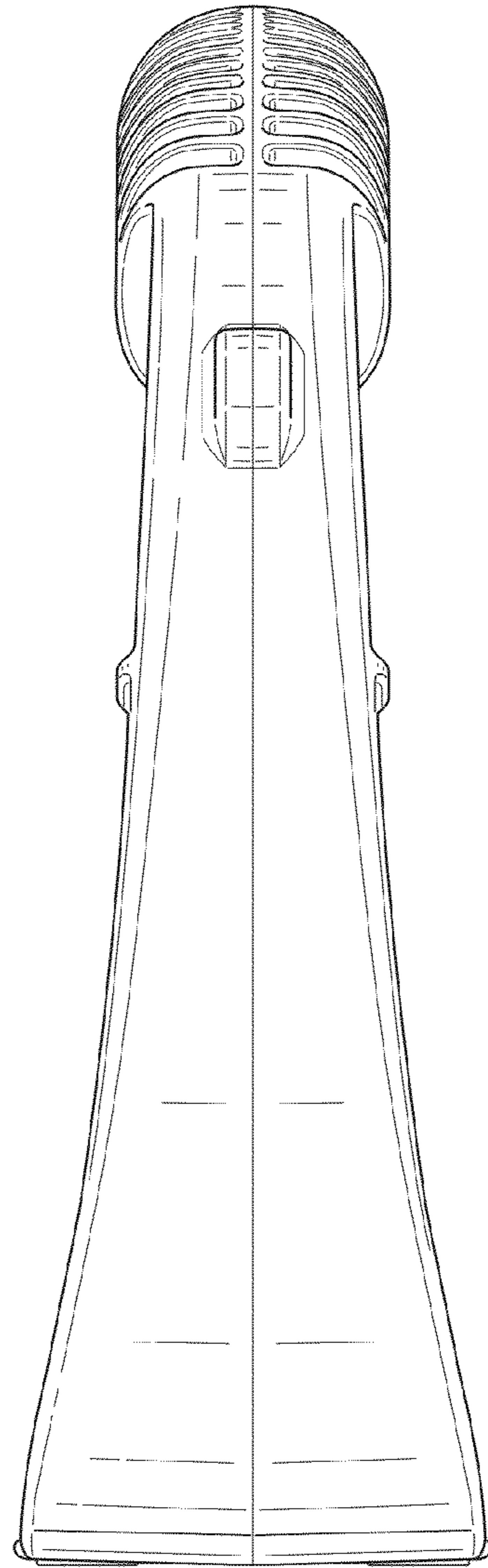
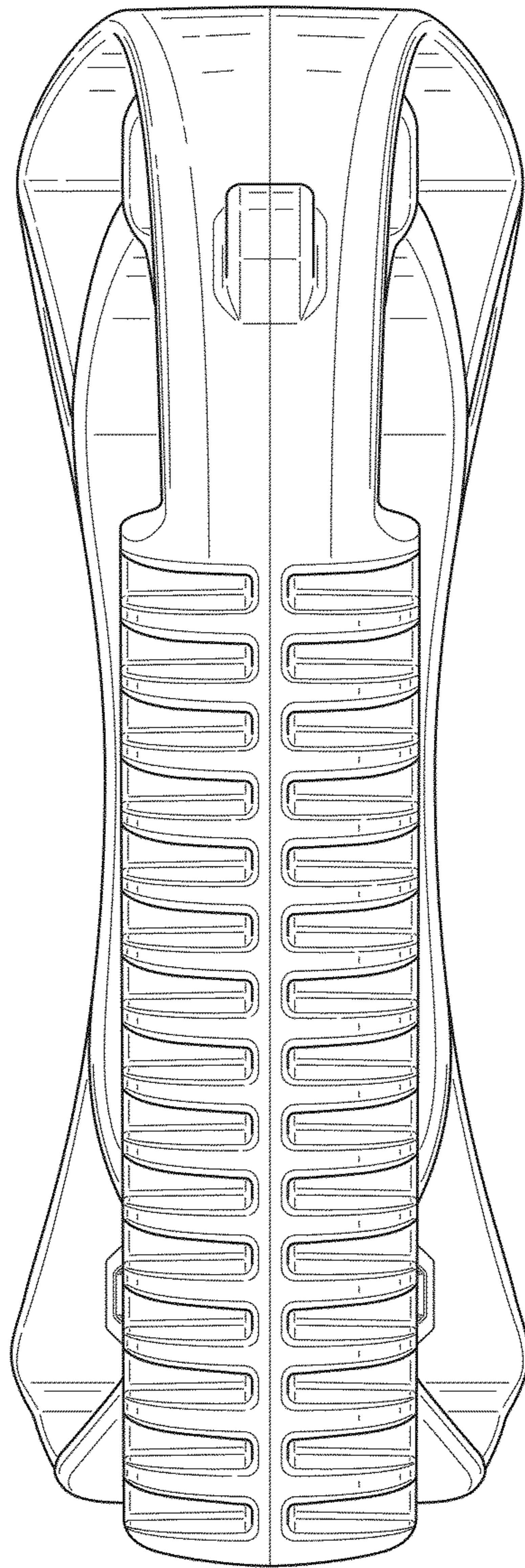
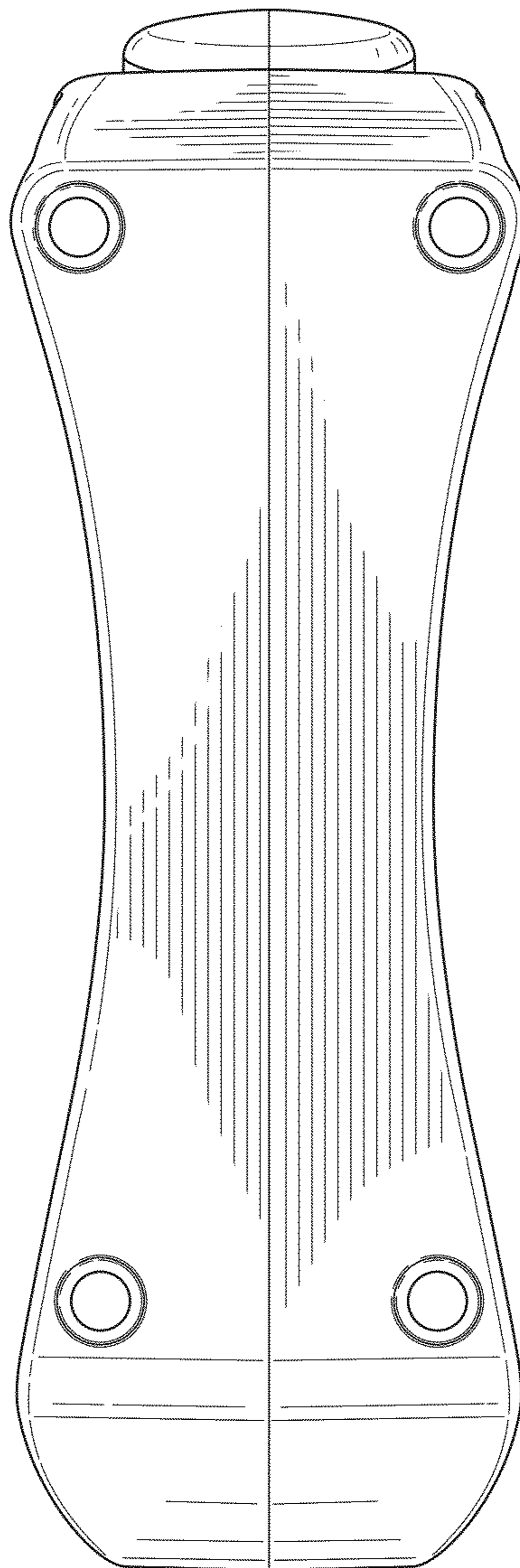


FIG. 5



**FIG. 6**



**FIG. 7**

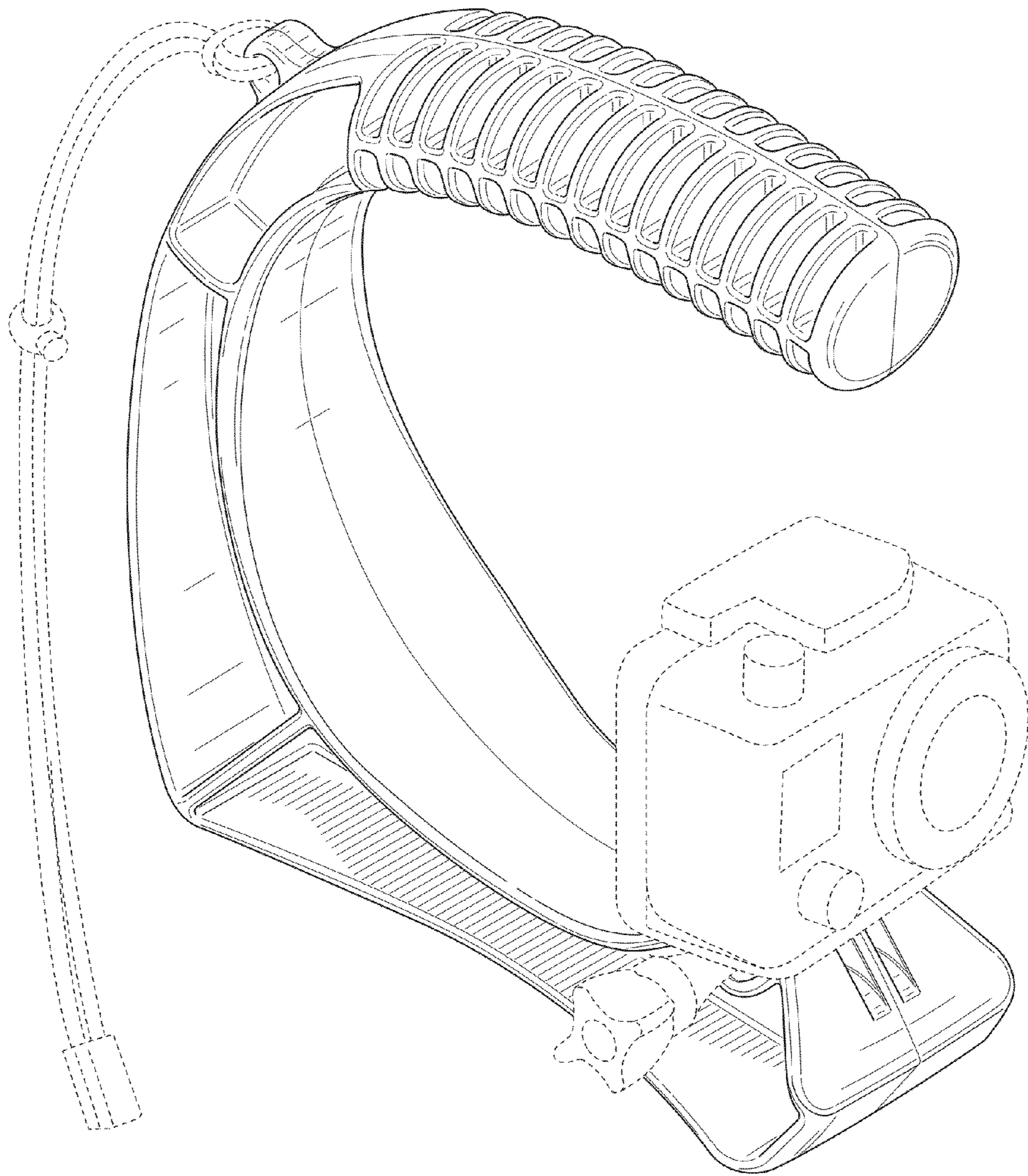


FIG. 8