



US00D726240S

(12) **United States Design Patent**
Oikawa et al.

(10) **Patent No.:** **US D726,240 S**

(45) **Date of Patent:** **** Apr. 7, 2015**

(54) **CAMERA LENS**

(71) Applicant: **Nikon Corporation**, Tokyo (JP)

(72) Inventors: **Masafumi Oikawa**, Mitaka (JP);
Kazuharu Imafuji, Kawasaki (JP)

(73) Assignee: **Nikon Corporation**, Tokyo (JP)

(**) Term: **14 Years**

(21) Appl. No.: **29/472,252**

(22) Filed: **Nov. 11, 2013**

Related U.S. Application Data

(62) Division of application No. 29/418,654, filed on Apr. 19, 2012, now Pat. No. Des. 705,335.

(51) **LOC (10) Cl.** **16-05**

(52) **U.S. Cl.**
USPC **D16/219**; D16/134

(58) **Field of Classification Search**
USPC D16/134, 136, 200, 202, 217, 218, 219;
359/815, 819, 826-828; 348/373, 374;
396/529-532
See application file for complete search history.

(56) **References Cited**

U.S. PATENT DOCUMENTS

4,448,509	A	5/1984	Katsuma et al.	
4,457,609	A *	7/1984	Tomino et al.	396/532
5,384,614	A *	1/1995	Hasuda	396/529
6,369,960	B2	4/2002	Azegami	
D537,461	S *	2/2007	Tokiwa et al.	D16/219
D540,363	S *	4/2007	Tokiwa et al.	D16/134
D549,264	S	8/2007	Tokiwa	

D559,884	S *	1/2008	Tokiwa	D16/219
D670,751	S *	11/2012	Koyama et al.	D16/219
D688,292	S *	8/2013	Koyama et al.	D16/219
D698,842	S *	2/2014	Hasuda	D16/219
D699,773	S *	2/2014	Hasuda	D16/134

* cited by examiner

Primary Examiner — Adir Aronovich

(74) *Attorney, Agent, or Firm* — Wolf, Greenfield & Sacks, P.C.; Randy J. Pritzker

(57) **CLAIM**

The ornamental design for a camera lens, as shown and described.

DESCRIPTION

FIG. 1 is a rear prospective view of a first embodiment of a camera lens showing our new design; FIG. 2 is a rear elevational view thereof; FIG. 3 is a top plan view thereof; FIG. 4 is a bottom plan view thereof; FIG. 5 is a right side elevational view thereof; FIG. 6 is a left side elevational view thereof; FIG. 7 is a rear prospective view of a second embodiment of a camera lens showing our new design; FIG. 8 is a rear elevational view thereof; FIG. 9 is a top plan view thereof; FIG. 10 is a bottom plan view thereof; FIG. 11 is a right side elevational view thereof; and, FIG. 12 is a left side elevational view thereof.

The features shown in broken lines in the drawings depict environmental subject matter only and form no part of the claimed design. The dot-dashed lines denote the boundary of the claim, and form not part of the claimed design.

1 Claim, 12 Drawing Sheets

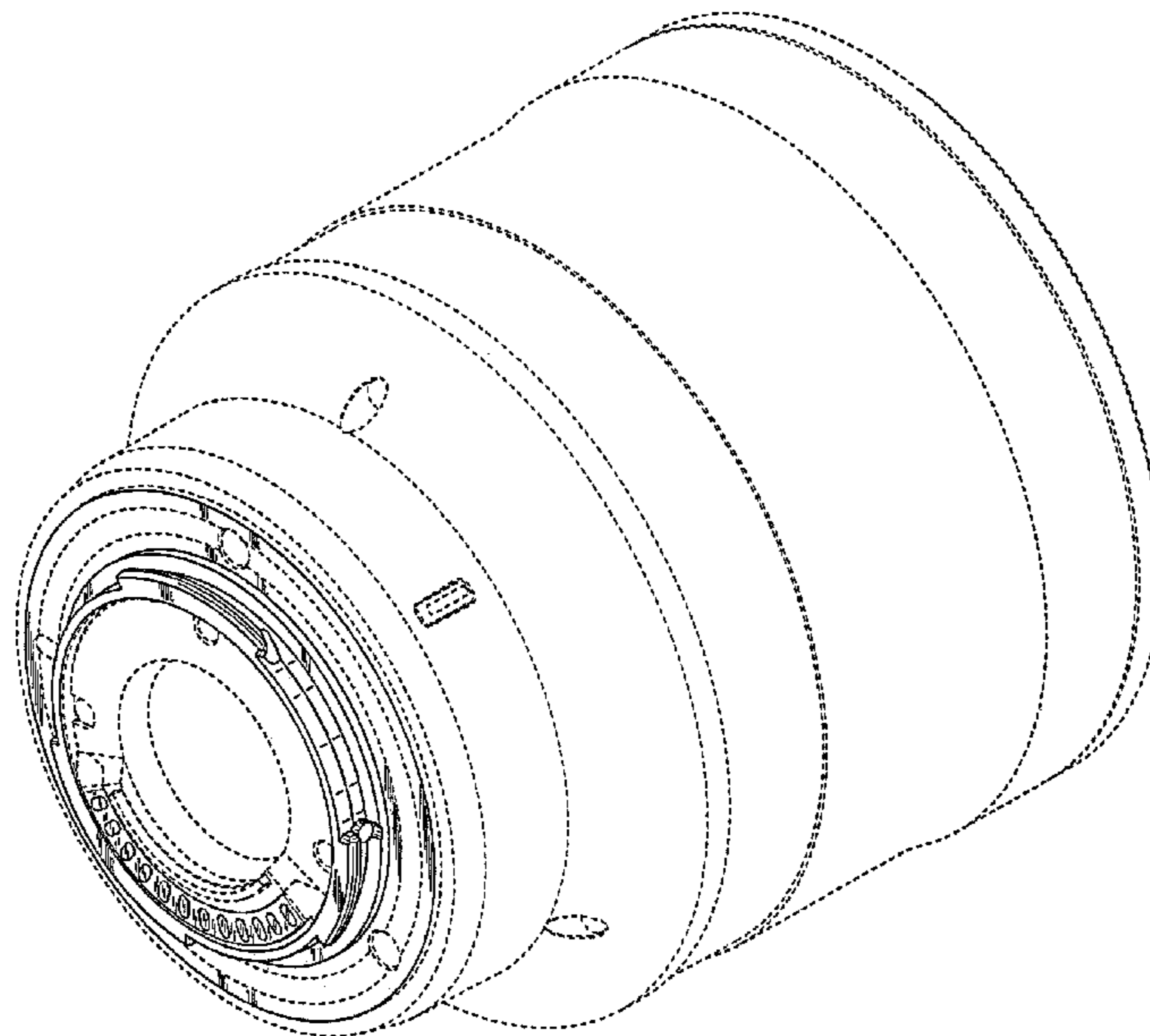


FIG. 1

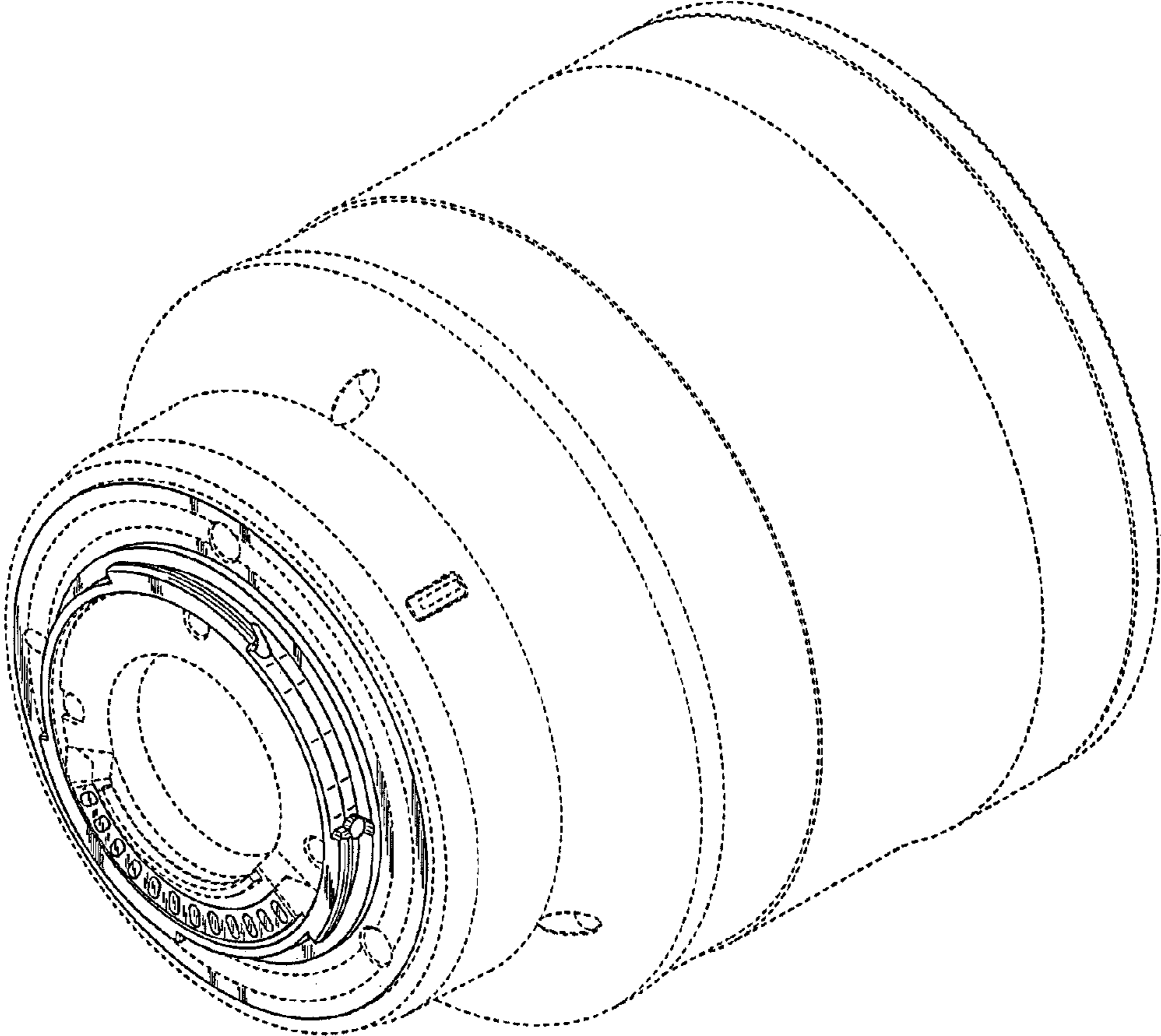


FIG. 2

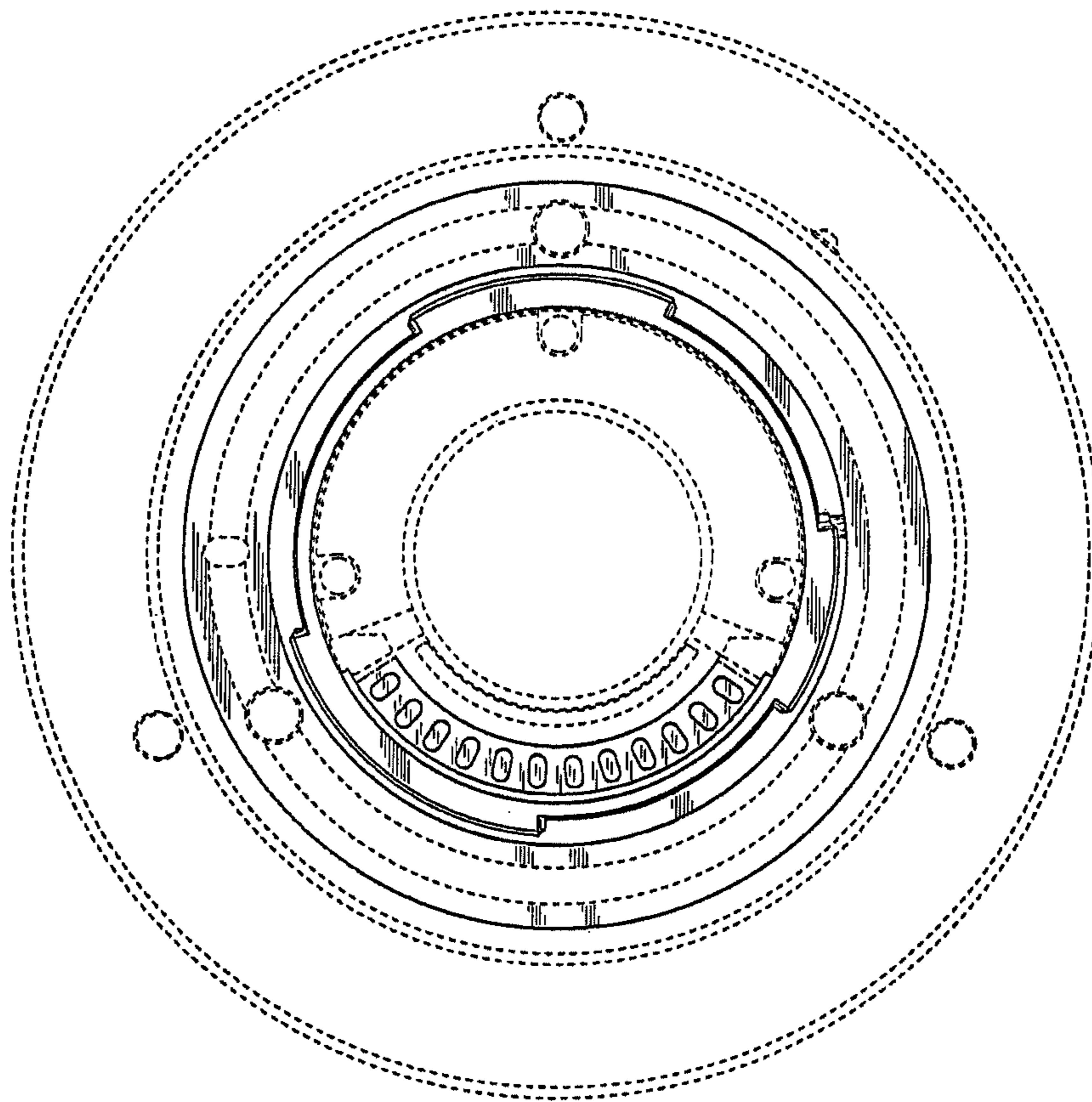


FIG. 3

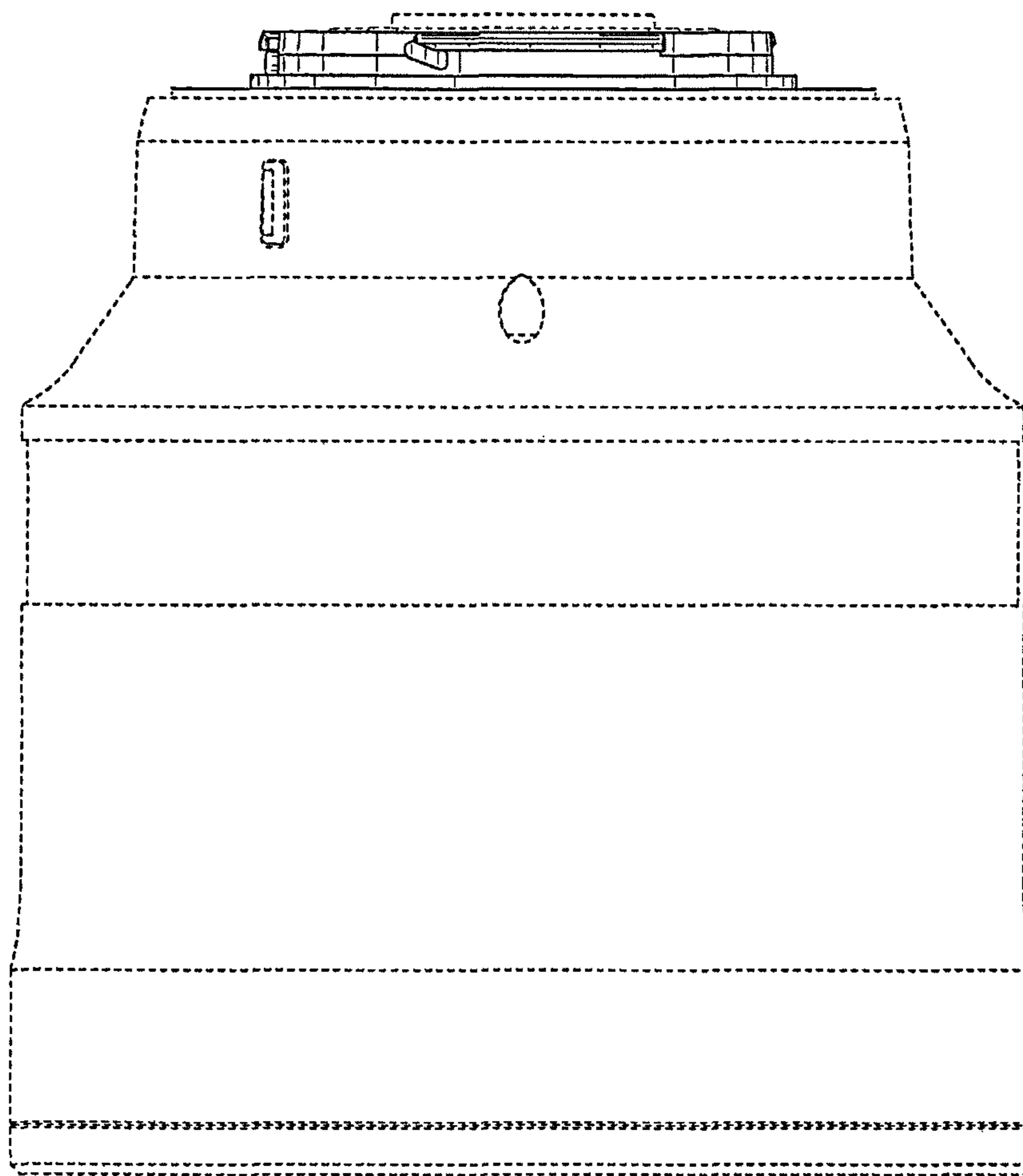


FIG. 4

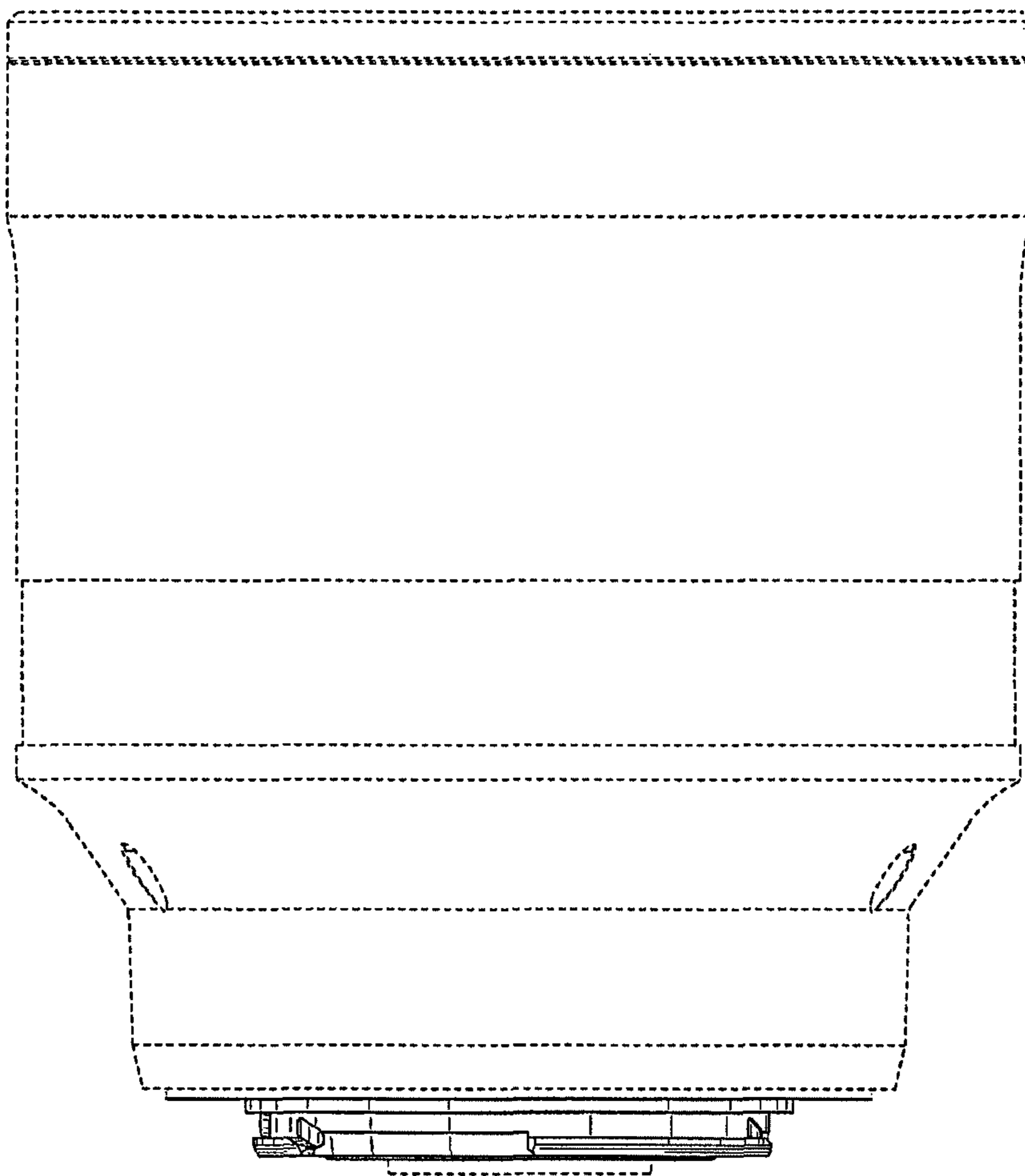


FIG. 5

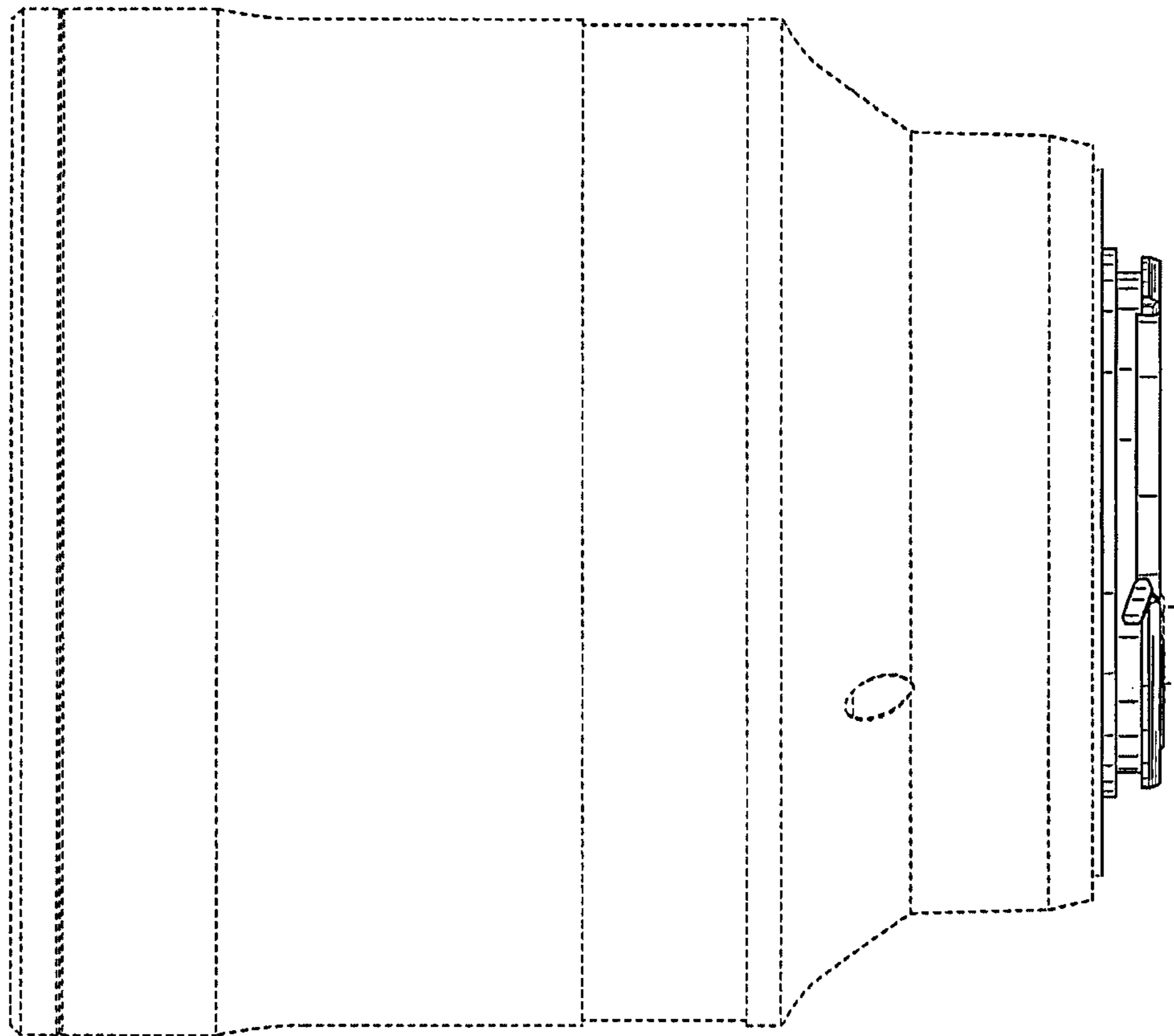


FIG. 6

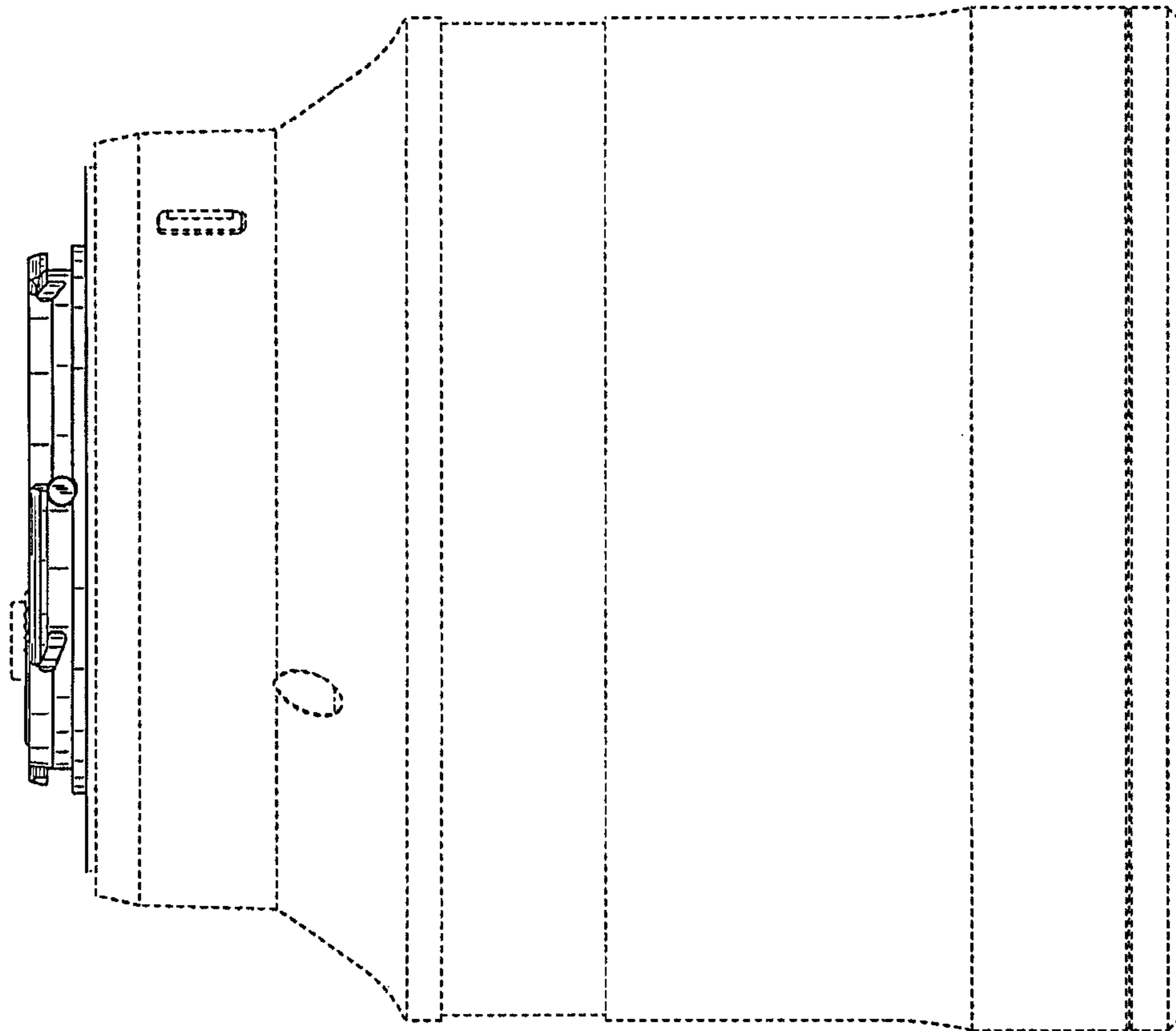


FIG. 7

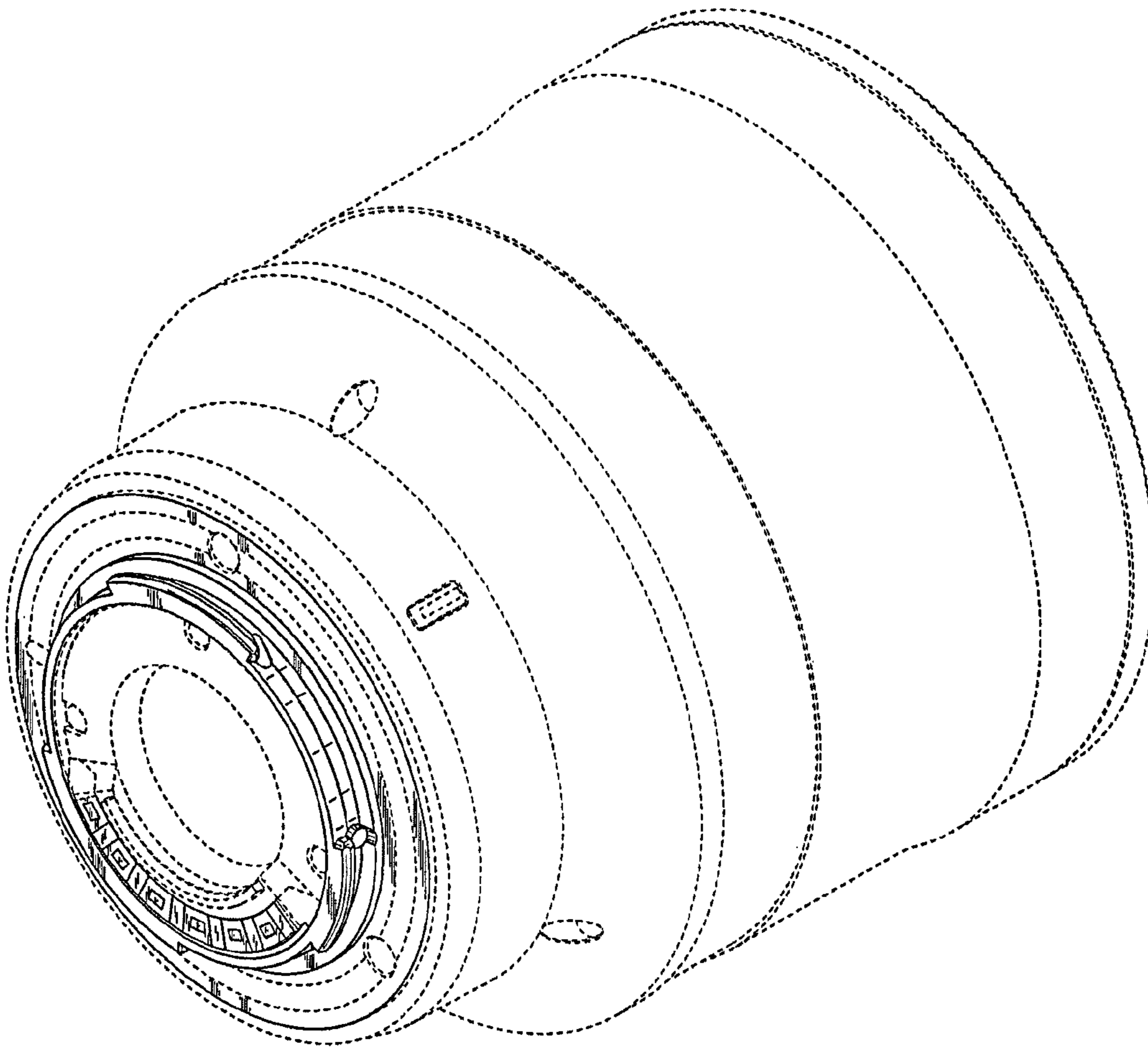


FIG. 8

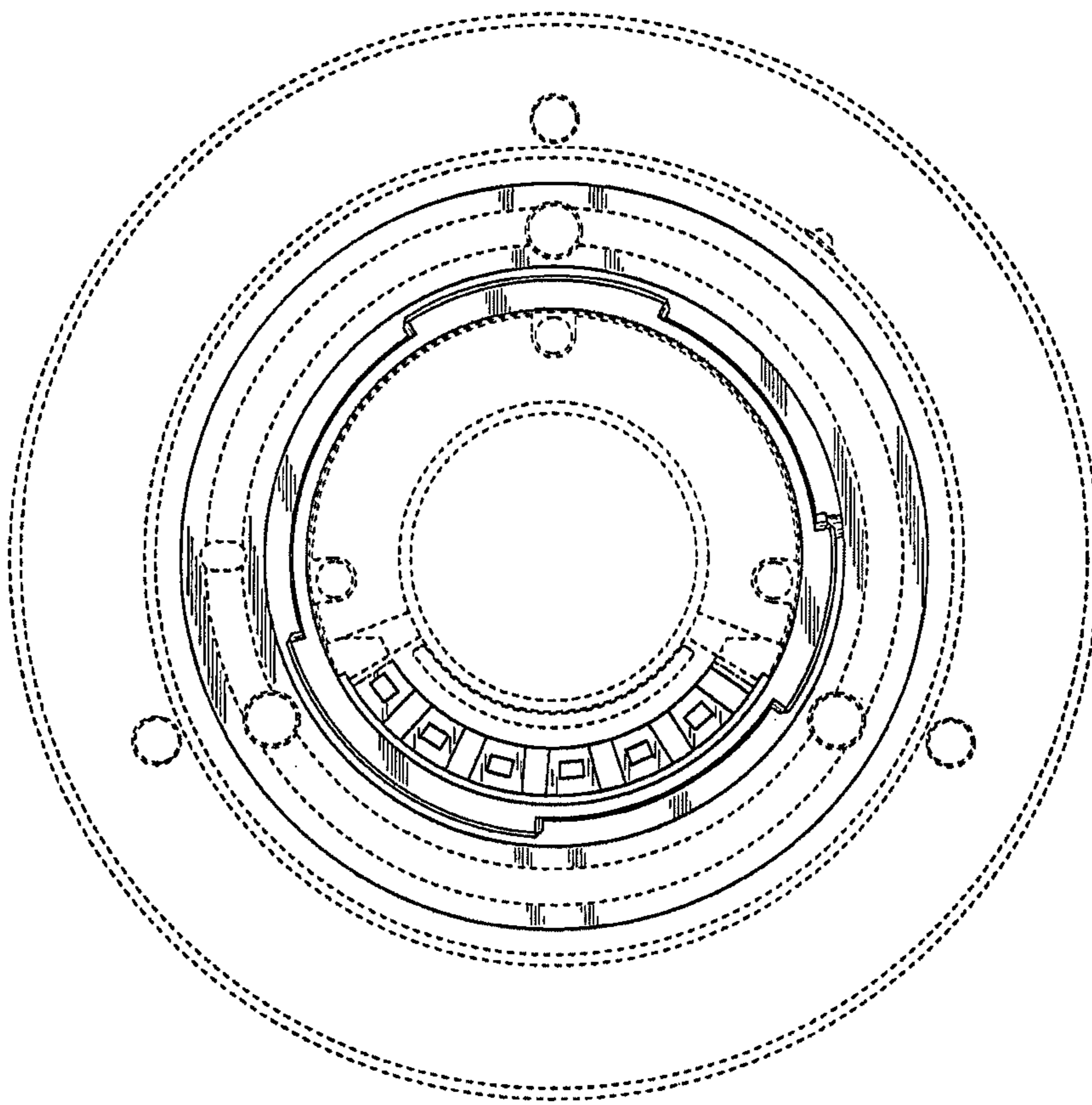


FIG. 9

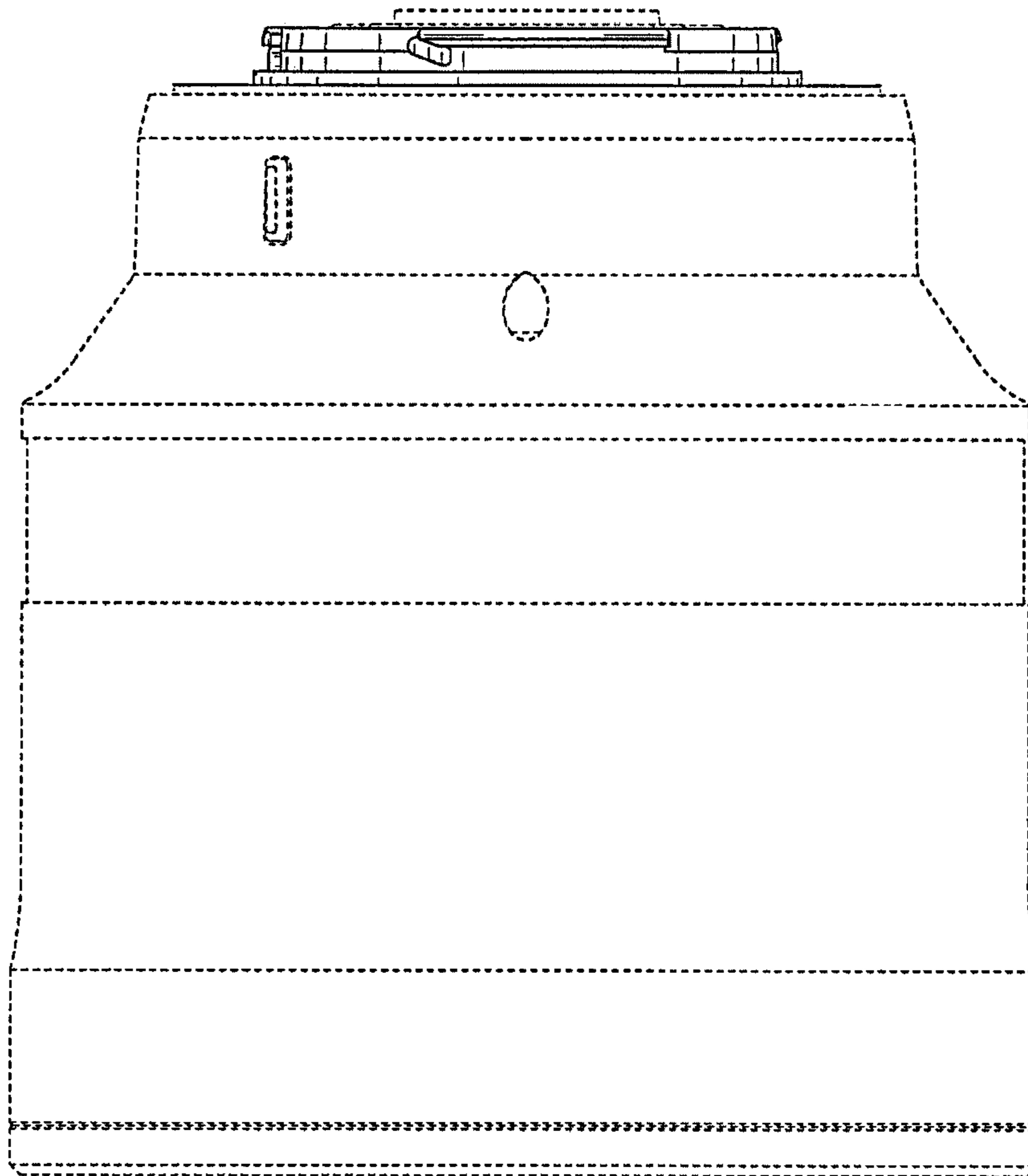


FIG. 10

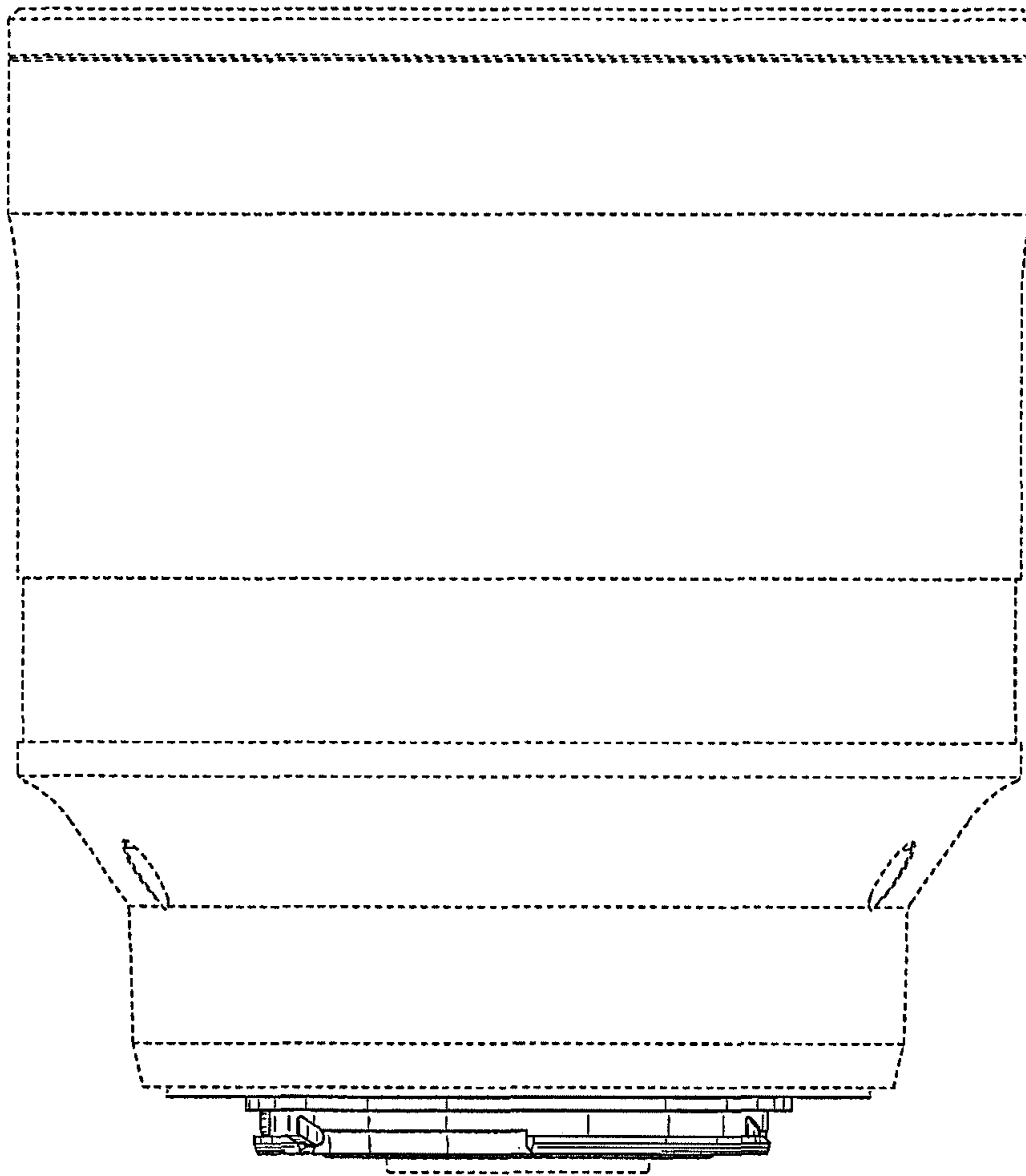


FIG. 11

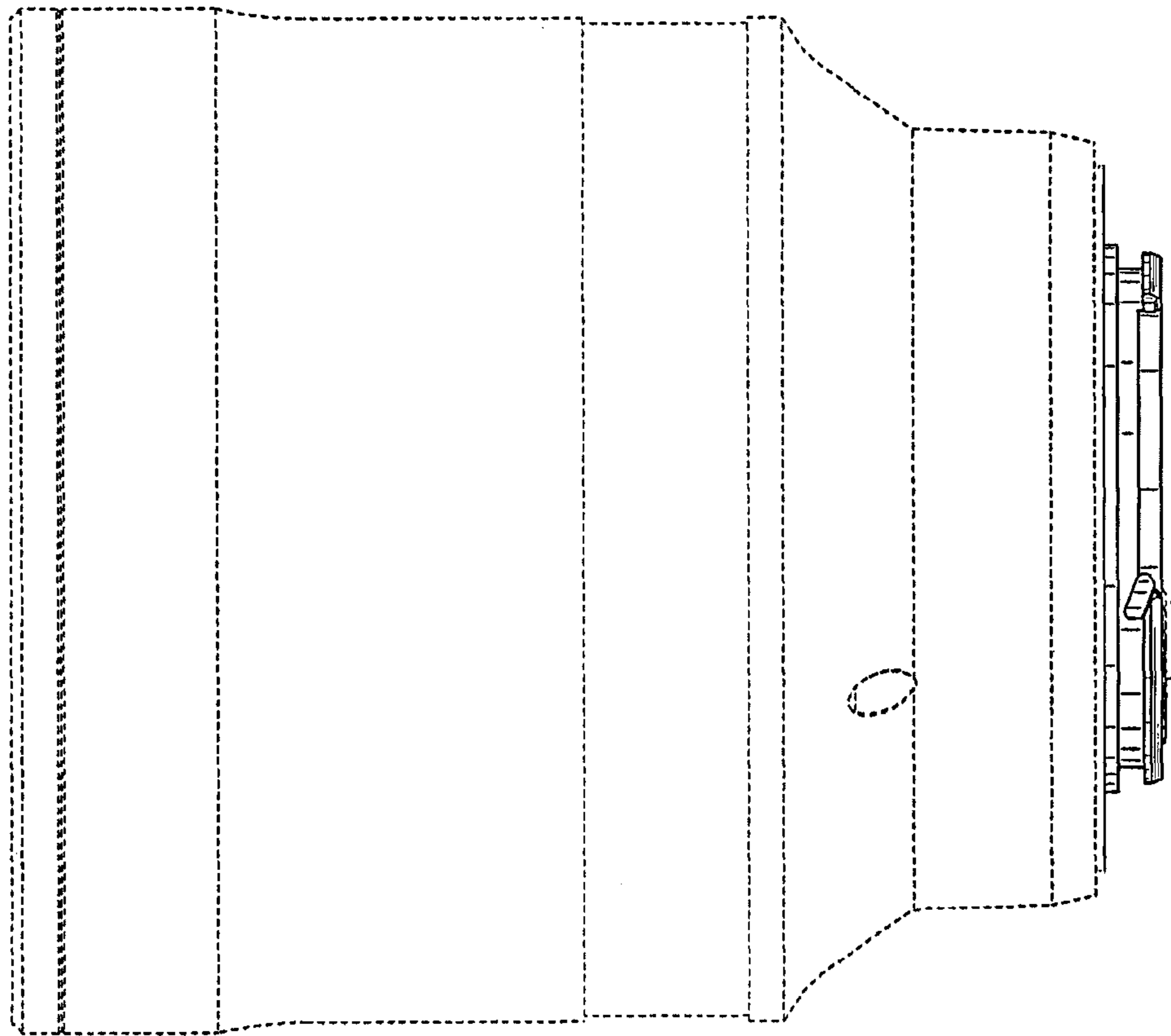


FIG. 12

