

US00D726239S

(12) **United States Design Patent**
So et al.

(10) **Patent No.:** **US D726,239 S**

(45) **Date of Patent:** **** Apr. 7, 2015**

(54) **INTERCHANGEABLE LENS FOR CAMERA**

(71) Applicant: **Samyang Optics Co., Ltd.**, Masan,
Gyeongsangnam-do (KR)

(72) Inventors: **Bong-Tae So**, Tongyeong-si (KR);
Jung-Du Lee, Masan-si (KR); **Hyun-Sik Yun**,
Changwon-si (KR)

(73) Assignee: **Samyang Optics Co., Ltd.**, Masan,
Gyeongsangnam-Do (KR)

(**) Term: **14 Years**

(21) Appl. No.: **29/466,628**

(22) Filed: **Sep. 10, 2013**

(30) **Foreign Application Priority Data**

Jun. 25, 2013 (KR) 30-2013-0032488

(51) **LOC (10) Cl.** **16-05**

(52) **U.S. Cl.**
USPC **D16/219**

(58) **Field of Classification Search**
USPC D16/134, 136, 200, 202, 218, 219;
348/373, 374; 359/819, 826-828, 830;
396/529-535, 540, 541
See application file for complete search history.

(56) **References Cited**

U.S. PATENT DOCUMENTS

5,299,067 A * 3/1994 Kutz et al. 359/827
6,288,855 B1 * 9/2001 Devenyi 359/830

6,388,825 B1 * 5/2002 Koiwai et al. 359/819
6,819,510 B1 * 11/2004 Devenyi 359/826
7,104,658 B2 * 9/2006 Fischbach et al. 396/534
D562,865 S * 2/2008 Yasutomi D16/219
8,475,063 B1 * 7/2013 Chang 396/534

OTHER PUBLICATIONS

Supportive Materials to Claim Exception to Loss of Novelty.

* cited by examiner

Primary Examiner — Adir Aronovich

(74) *Attorney, Agent, or Firm* — Lowe Hauptman & Ham,
LLP

(57) **CLAIM**

The ornamental design for an interchangeable lens for camera, as shown and described.

DESCRIPTION

FIG. 1 is a perspective view of an interchangeable lens for camera showing our new design;
FIG. 2 is a front elevational view thereof;
FIG. 3 is a rear elevational view thereof;
FIG. 4 is a left side elevational view thereof;
FIG. 5 is a right side elevational view thereof;
FIG. 6 is a top plan view thereof;
FIG. 7 is a bottom plan view thereof; and,
FIG. 8 is a reduced perspective view of the interchangeable lens thereof.

The broken lines depicting a camera hood in FIG. 8 are shown to illustrate environment only and form no part of the claimed design.

1 Claim, 8 Drawing Sheets

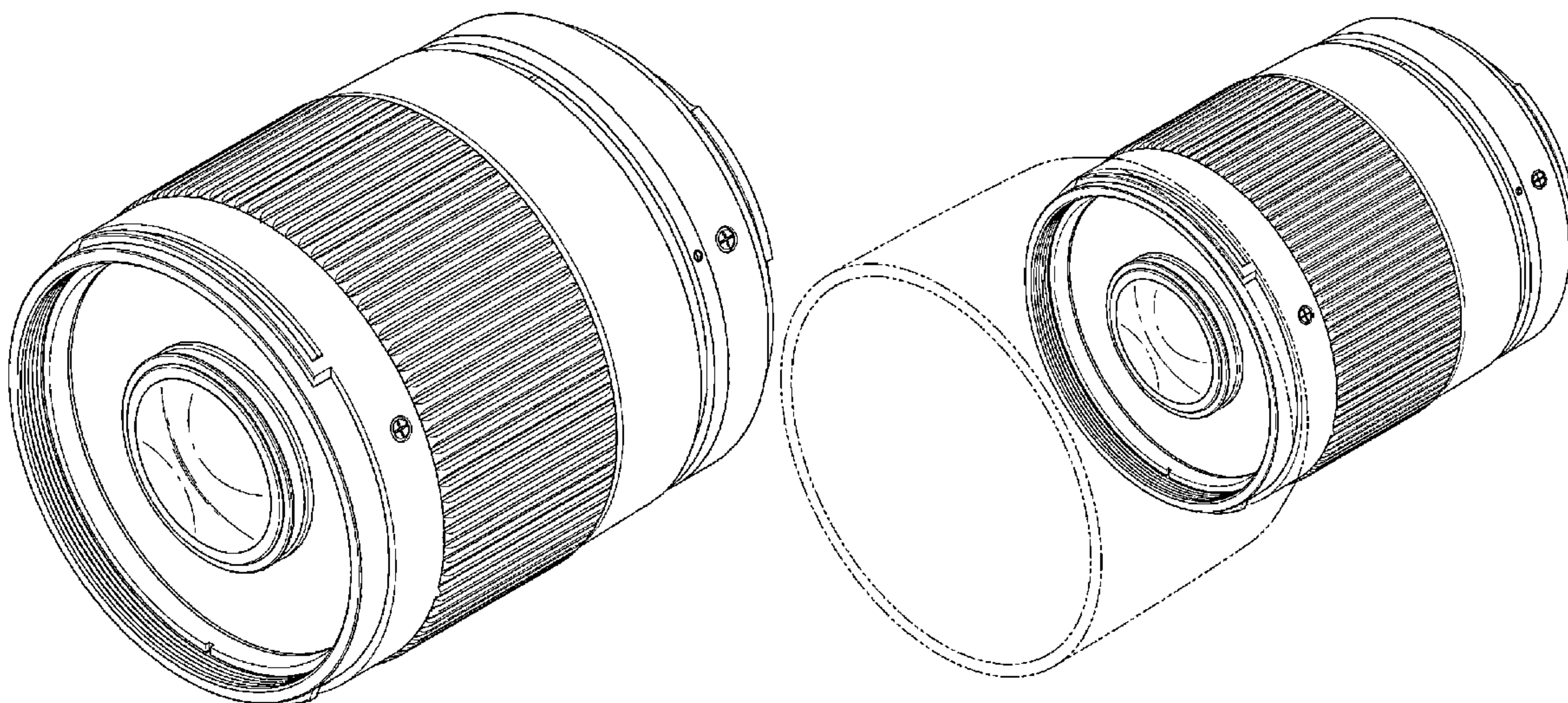


FIG. 1

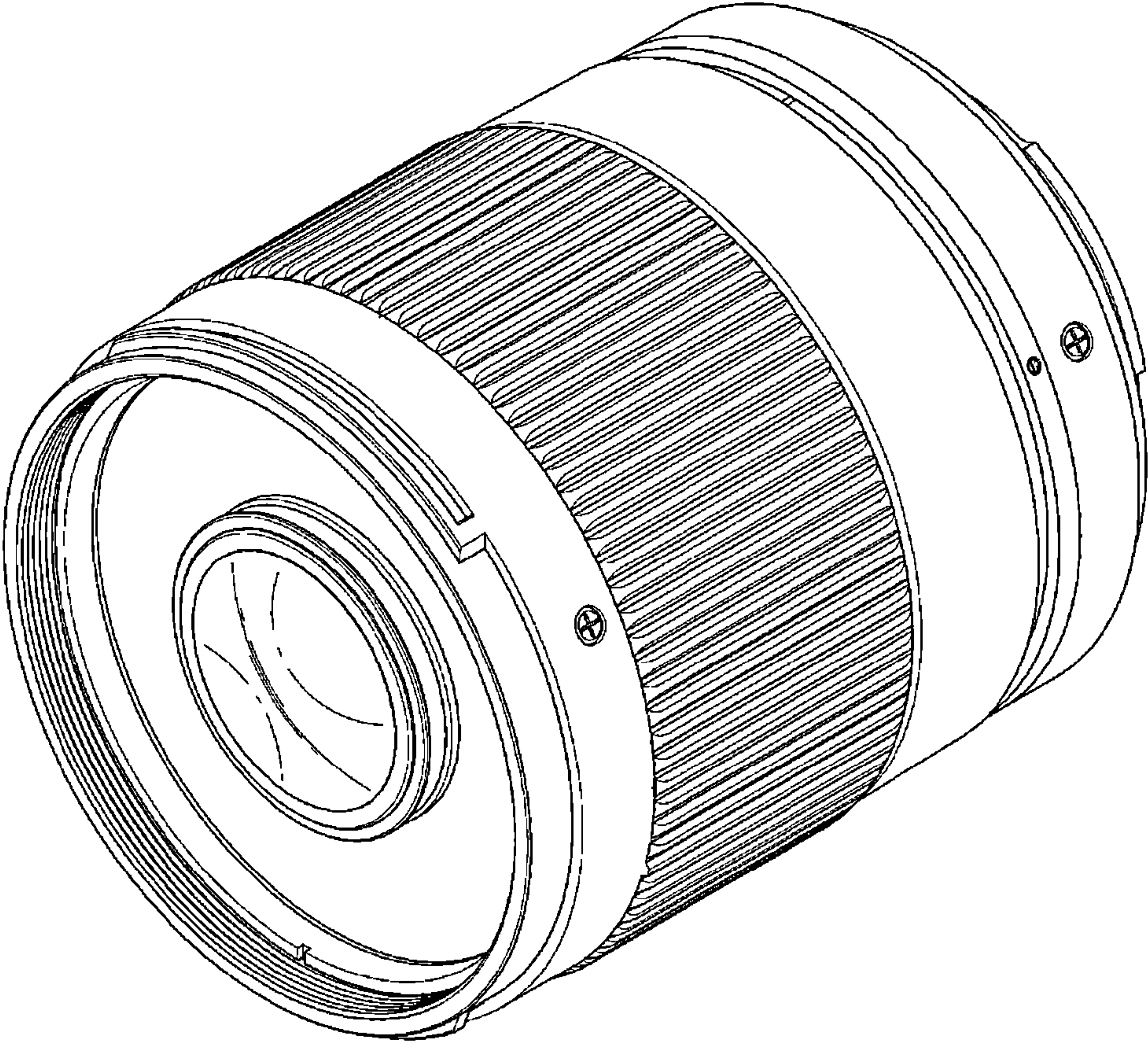


FIG. 2

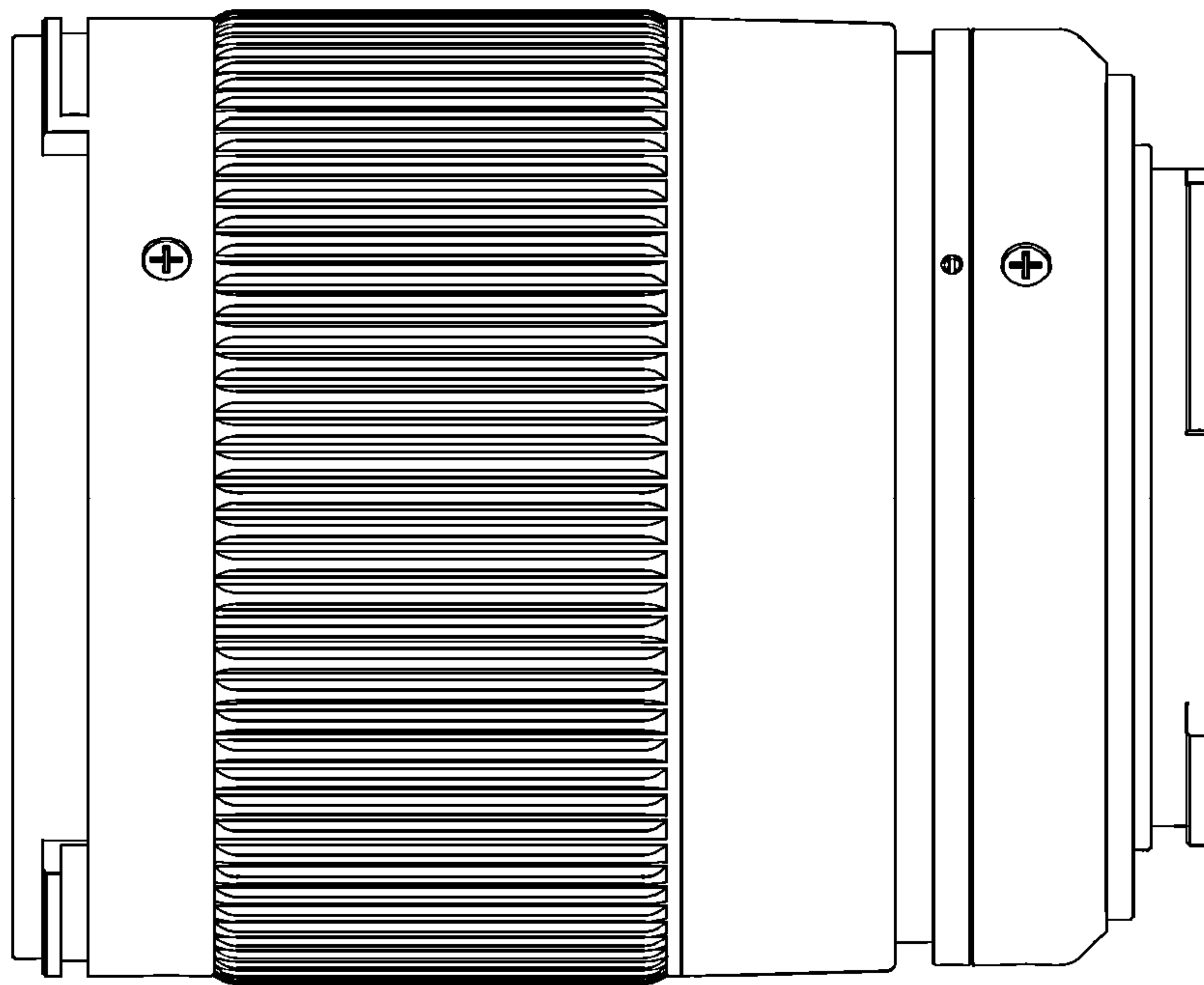


FIG. 3

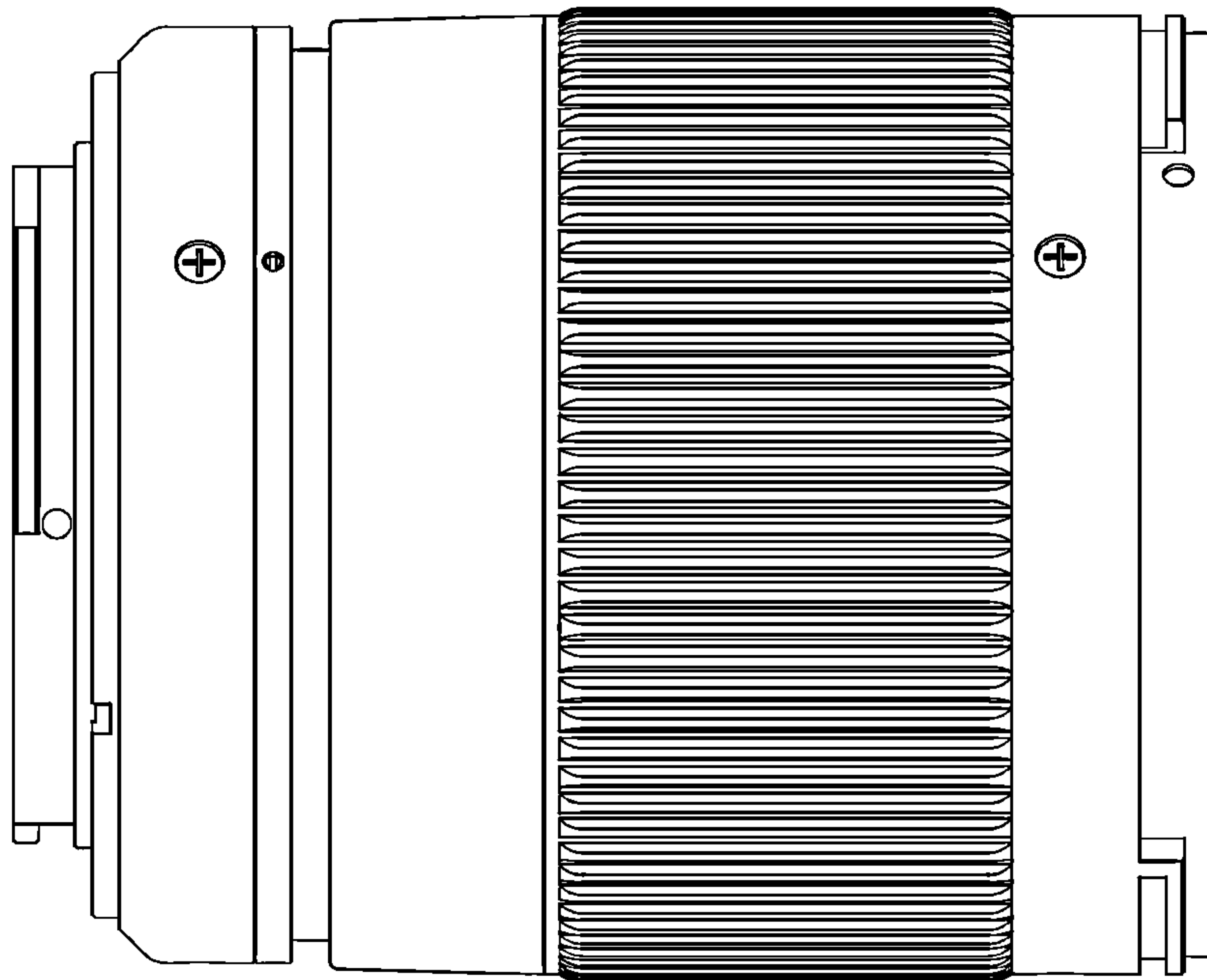


FIG. 4

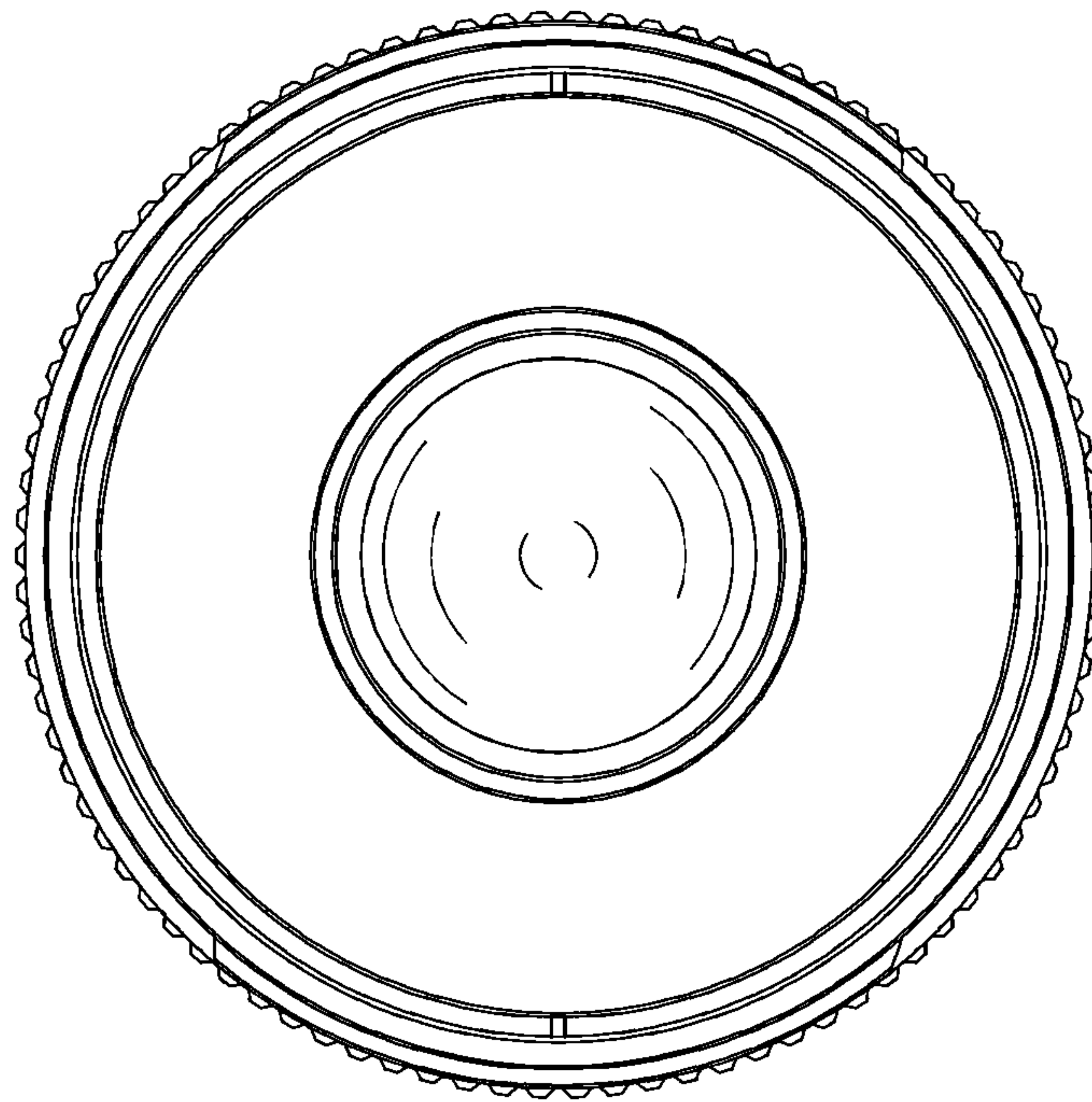


FIG. 5

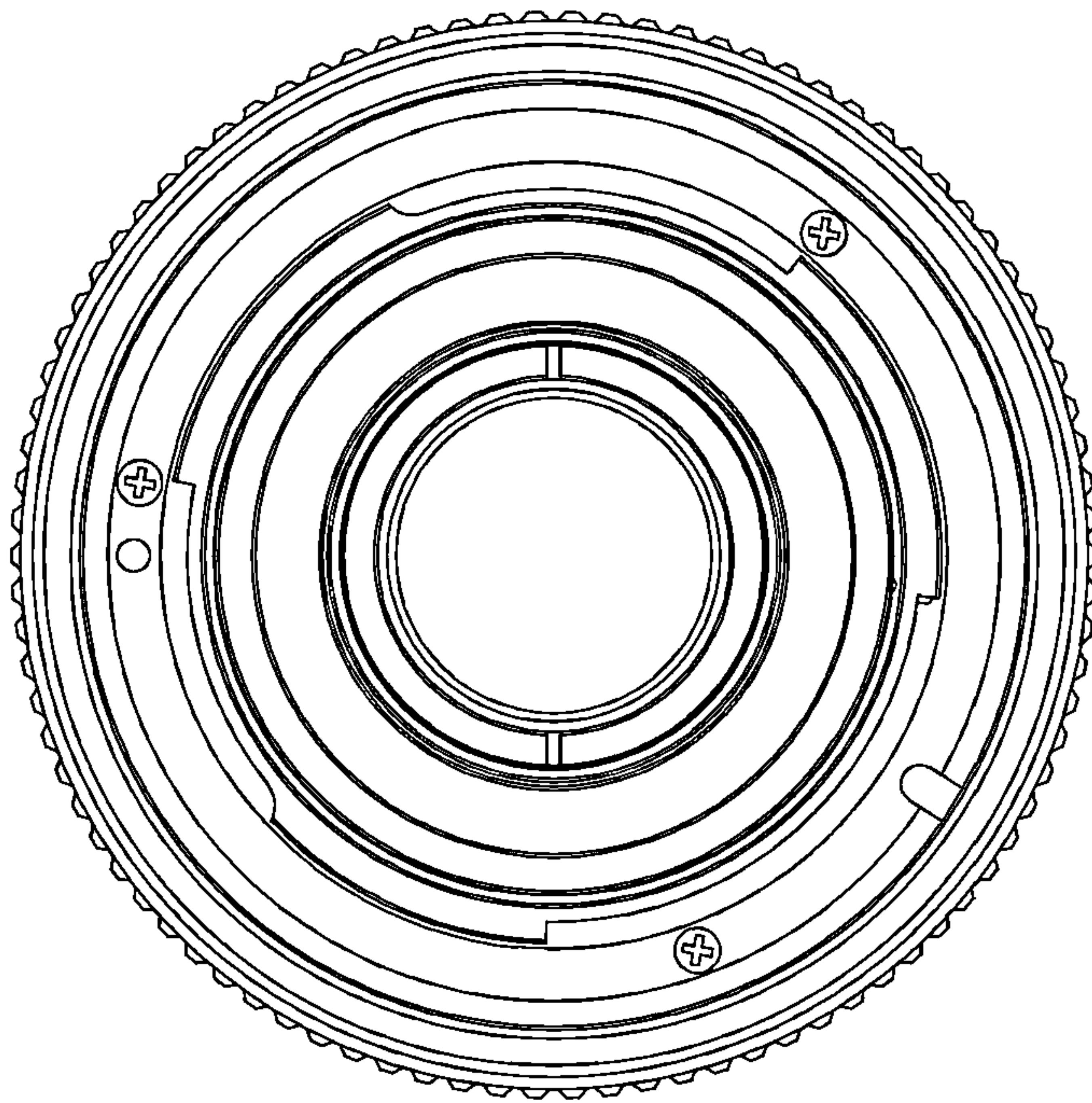


FIG. 6

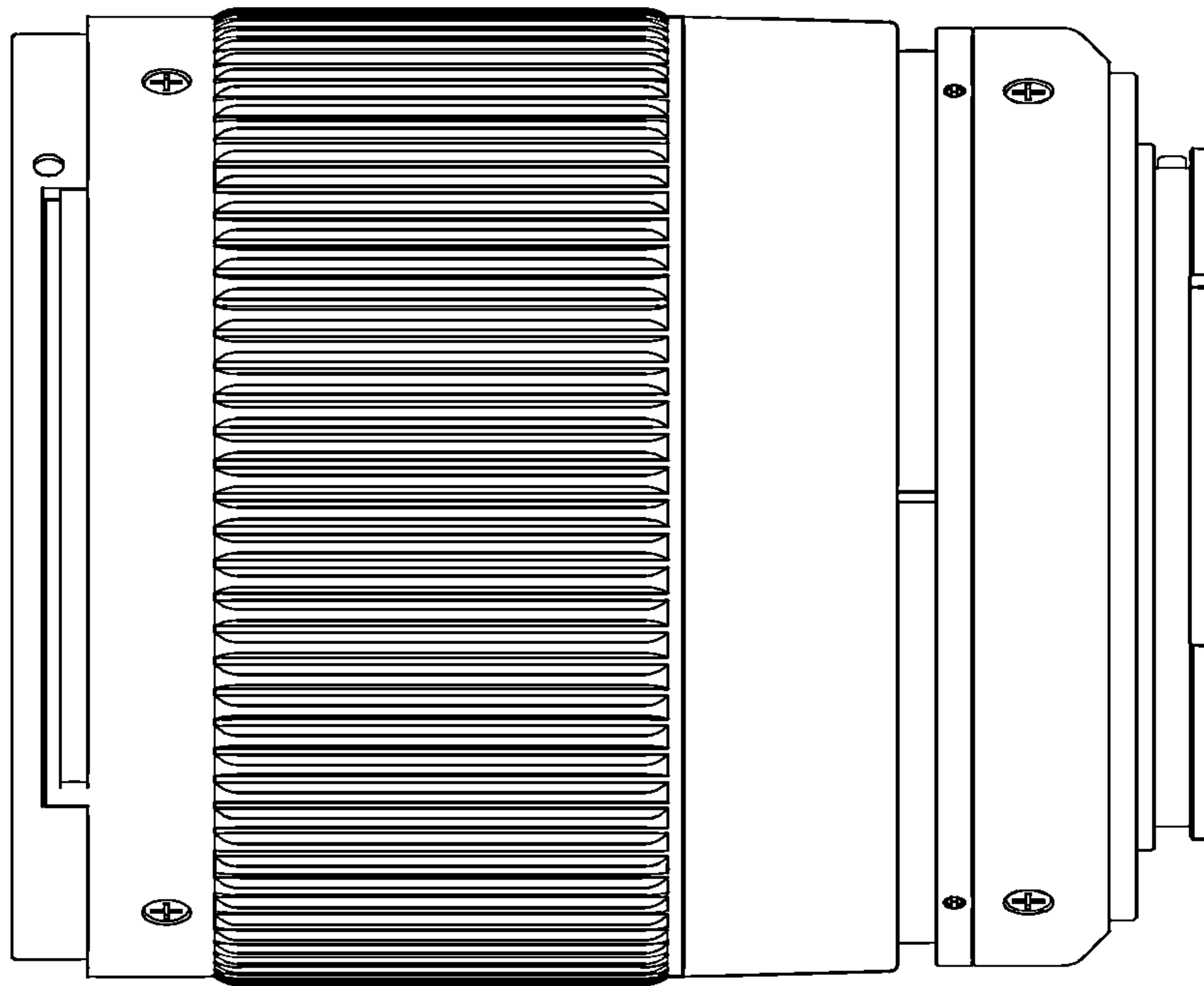


FIG. 7

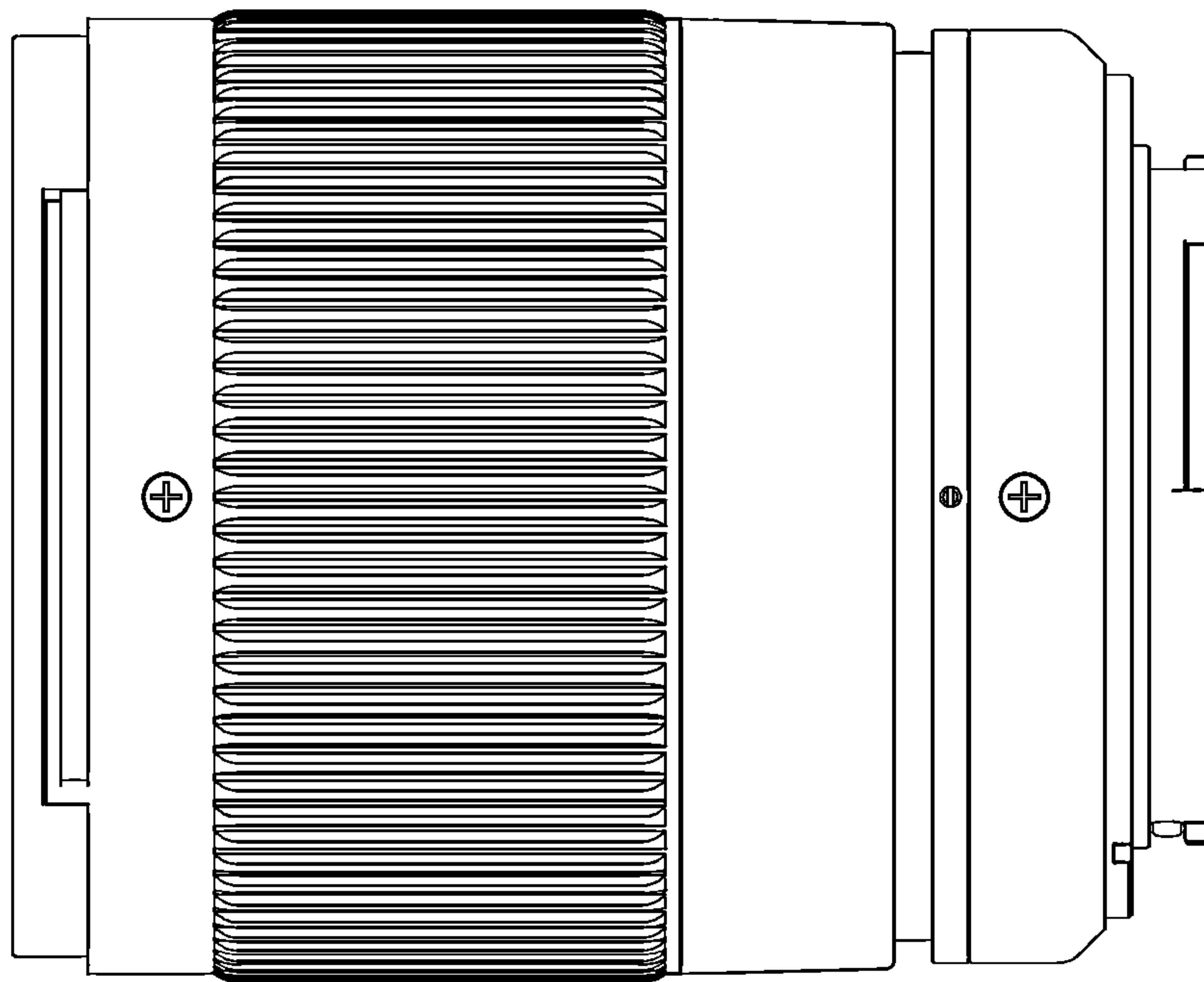


FIG. 8

