



US00D726238S

(12) **United States Design Patent**
Izumi et al.

(10) **Patent No.:** **US D726,238 S**
(45) **Date of Patent:** **** Apr. 7, 2015**

(54) **CAMERA**

(71) Applicant: **Sony Corporation**, Tokyo (JP)

(72) Inventors: **Koji Izumi**, Tokyo (JP); **Yuichi Kaneda**, Tokyo (JP); **Yoshinori Sugiyama**, Tokyo (JP); **Taku Yaegashi**, Tokyo (JP); **Kohtaro Amano**, Tokyo (JP); **Noriaki Takagi**, Tokyo (JP)

(73) Assignee: **Sony Corporation**, Tokyo (JP)

(**) Term: **14 Years**

(21) Appl. No.: **29/446,359**

(22) Filed: **Feb. 22, 2013**

(30) **Foreign Application Priority Data**

Aug. 24, 2012 (CN) 2012 3 0404516
Sep. 11, 2012 (CN) 2012 3 0432931
Sep. 11, 2012 (JP) D2012-022020

(51) **LOC (10) Cl.** **16-05**

(52) **U.S. Cl.**
USPC **D16/219**

(58) **Field of Classification Search**

CPC G03B 15/03; G03B 17/02; G03B 17/04;
G03B 17/56; G03B 19/04; H04N 5/2251;
H04N 5/2252; H04N 5/2253; H04N 5/2254;
H04N 2101/00
USPC D16/200, 202–206, 208, 218, 219;
348/373–376; 396/535, 539–541
See application file for complete search history.

(56) **References Cited**

U.S. PATENT DOCUMENTS

D496,678 S 9/2004 Kawase
D508,709 S * 8/2005 Watanabe D16/202

D508,937 S 8/2005 Sadatsuki
D542,322 S 5/2007 Miyashita
D543,228 S 5/2007 Miyashita
D561,230 S 2/2008 Song
D570,391 S 6/2008 Hibi
D597,576 S * 8/2009 Kim et al. D16/202
D597,577 S * 8/2009 Kim et al. D16/202
D597,578 S * 8/2009 Kim et al. D16/202
D633,123 S * 2/2011 Katsuraku et al. D16/219
D662,958 S * 7/2012 Fujita D16/202
D677,706 S * 3/2013 Nojima et al. D16/202
D682,906 S * 5/2013 Uemachi et al. D16/202
D689,914 S * 9/2013 Uemachi et al. D16/202
D694,303 S * 11/2013 Ham et al. D16/202
D695,328 S * 12/2013 Sul D16/202
D697,959 S * 1/2014 Imai D16/202
2007/0212062 A1 * 9/2007 Saiki et al. 396/535

* cited by examiner

Primary Examiner — Adir Aronovich

Assistant Examiner — Ramzi Almatrahi

(74) *Attorney, Agent, or Firm* — Rader, Fishman & Grauer PLLC

(57) **CLAIM**

The ornamental design for a camera, as shown and described.

DESCRIPTION

FIG. 1 is a front, top, right perspective view of a camera showing my new design;
FIG. 2 is a rear, top, left perspective view thereof;
FIG. 3 is a front elevational view thereof;
FIG. 4 is a rear elevational view thereof;
FIG. 5 is a left side elevational view thereof;
FIG. 6 is a right side elevational view thereof;
FIG. 7 is a top plan view thereof; and,
FIG. 8 is a bottom plan view thereof.
The broken lines depict portions of the camera in which the design is embodied and form no part of the claimed design.

1 Claim, 8 Drawing Sheets

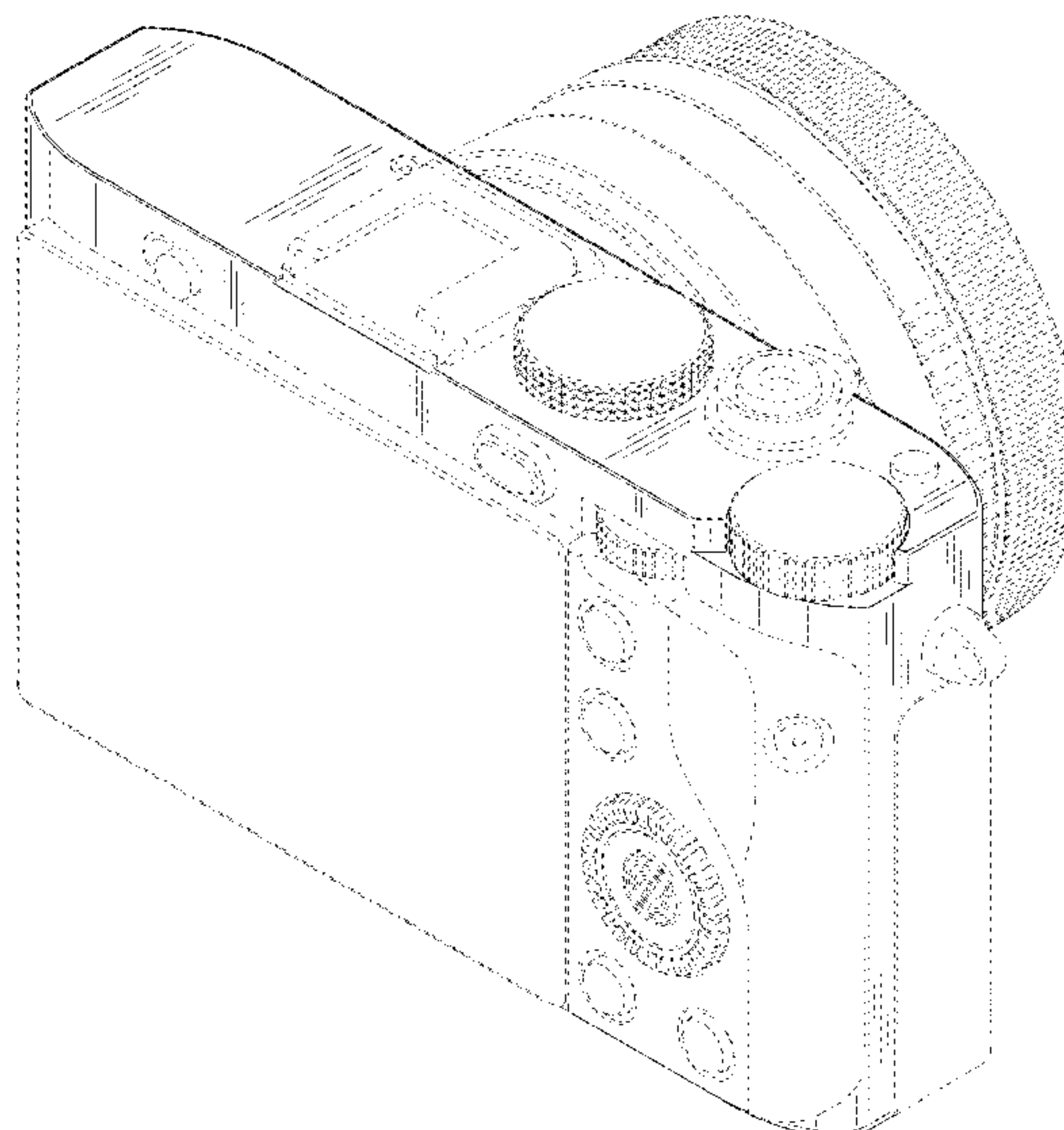
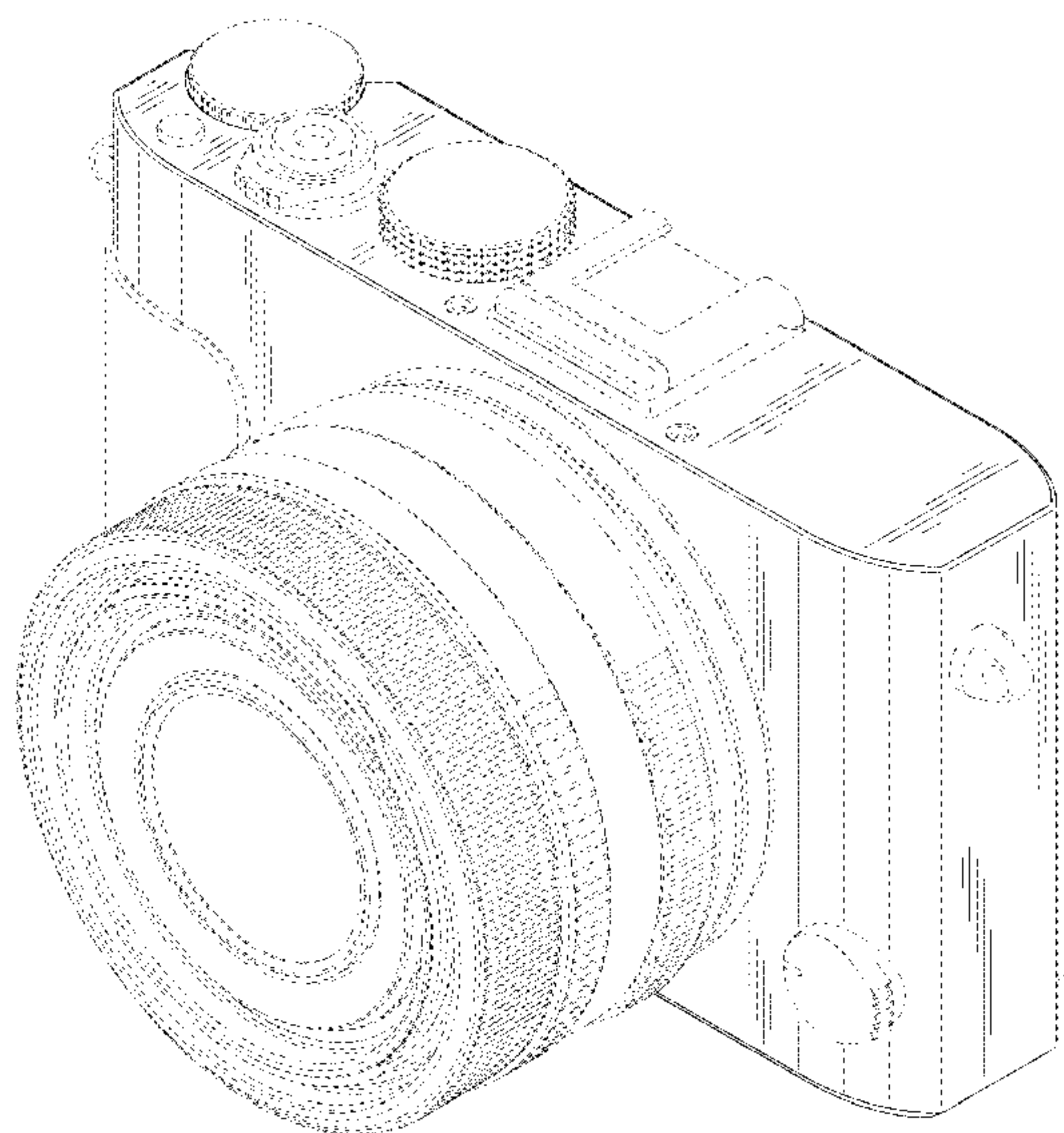


FIG. 1

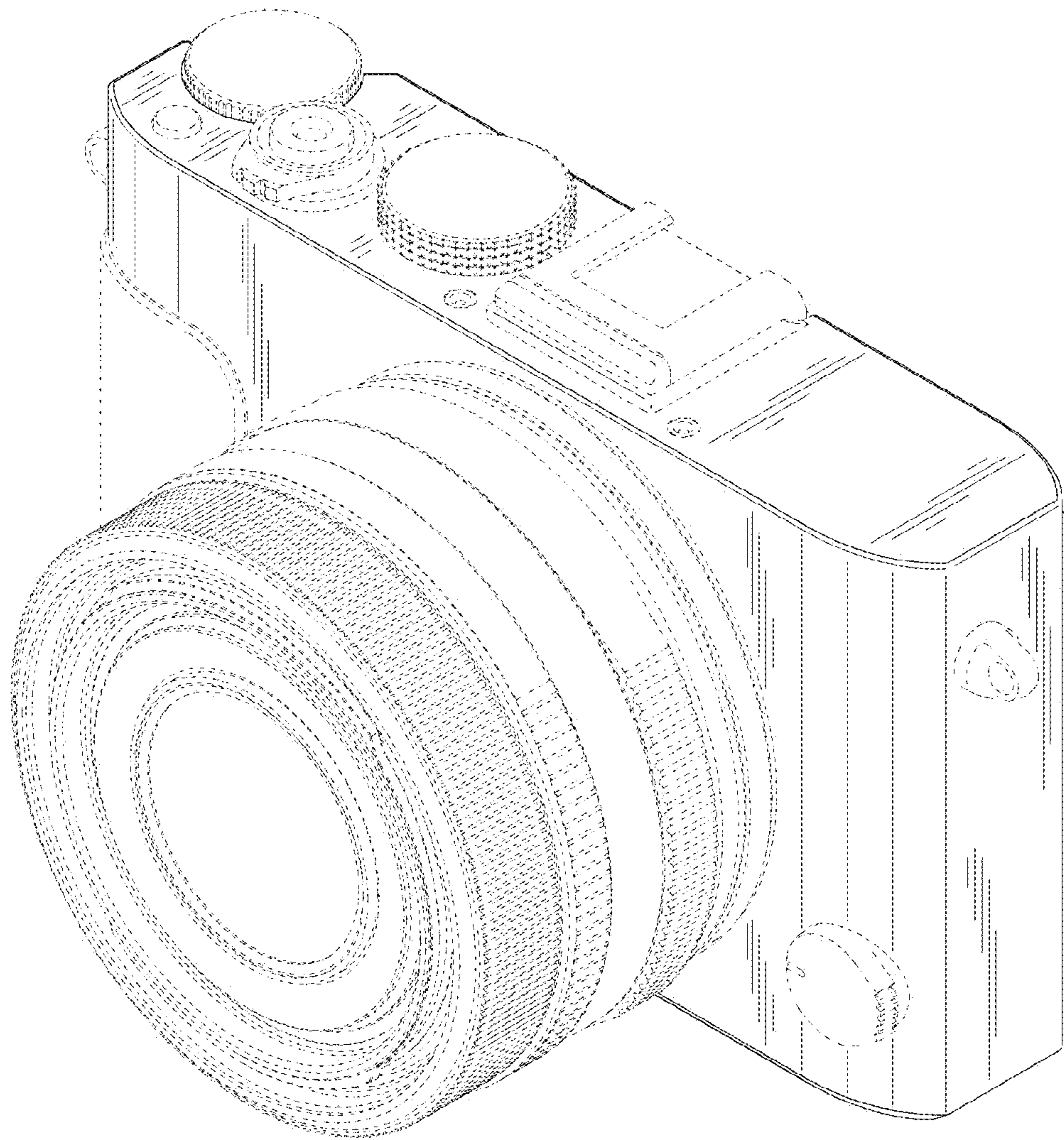


FIG.2

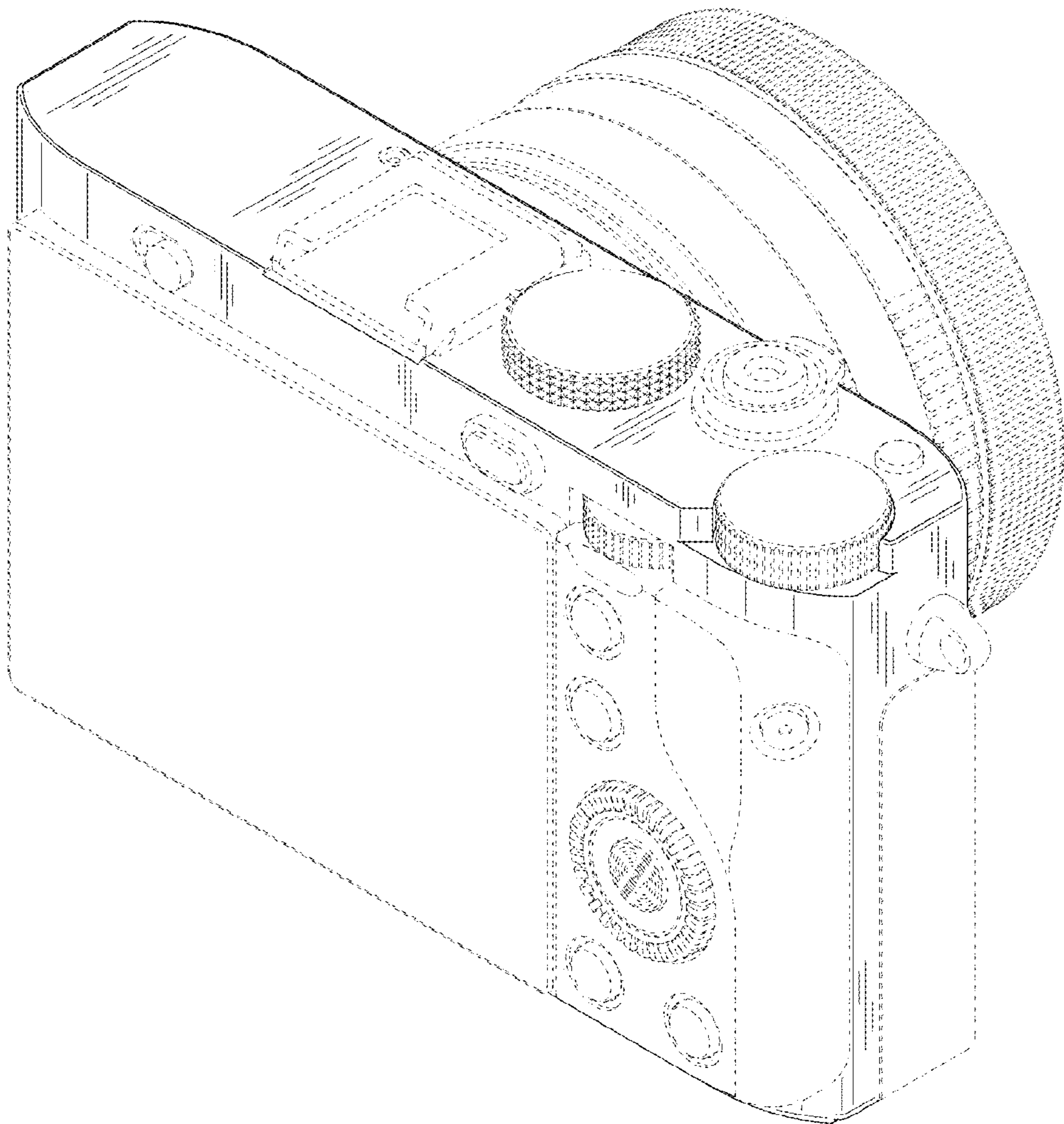


FIG.3

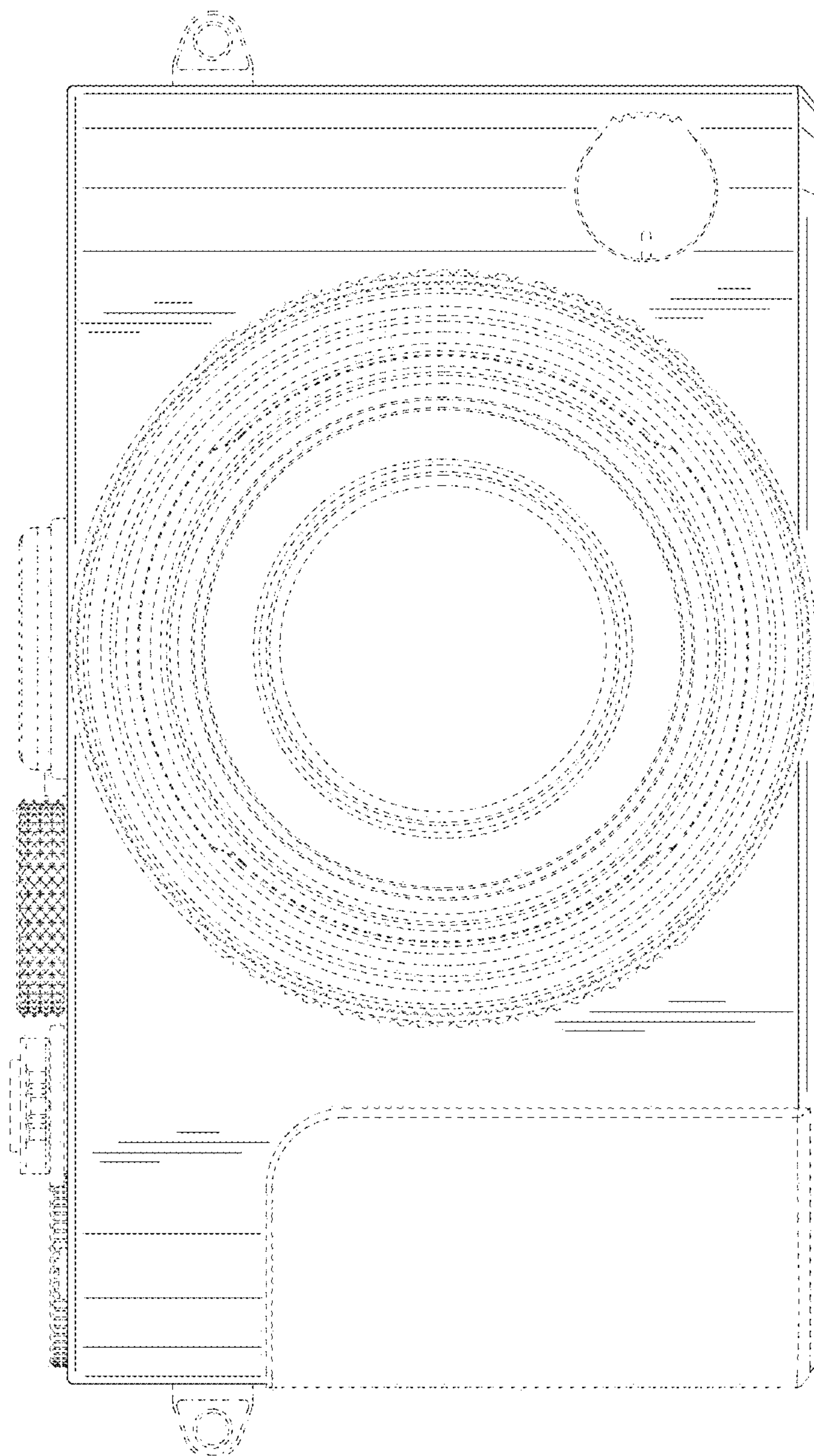


FIG.4

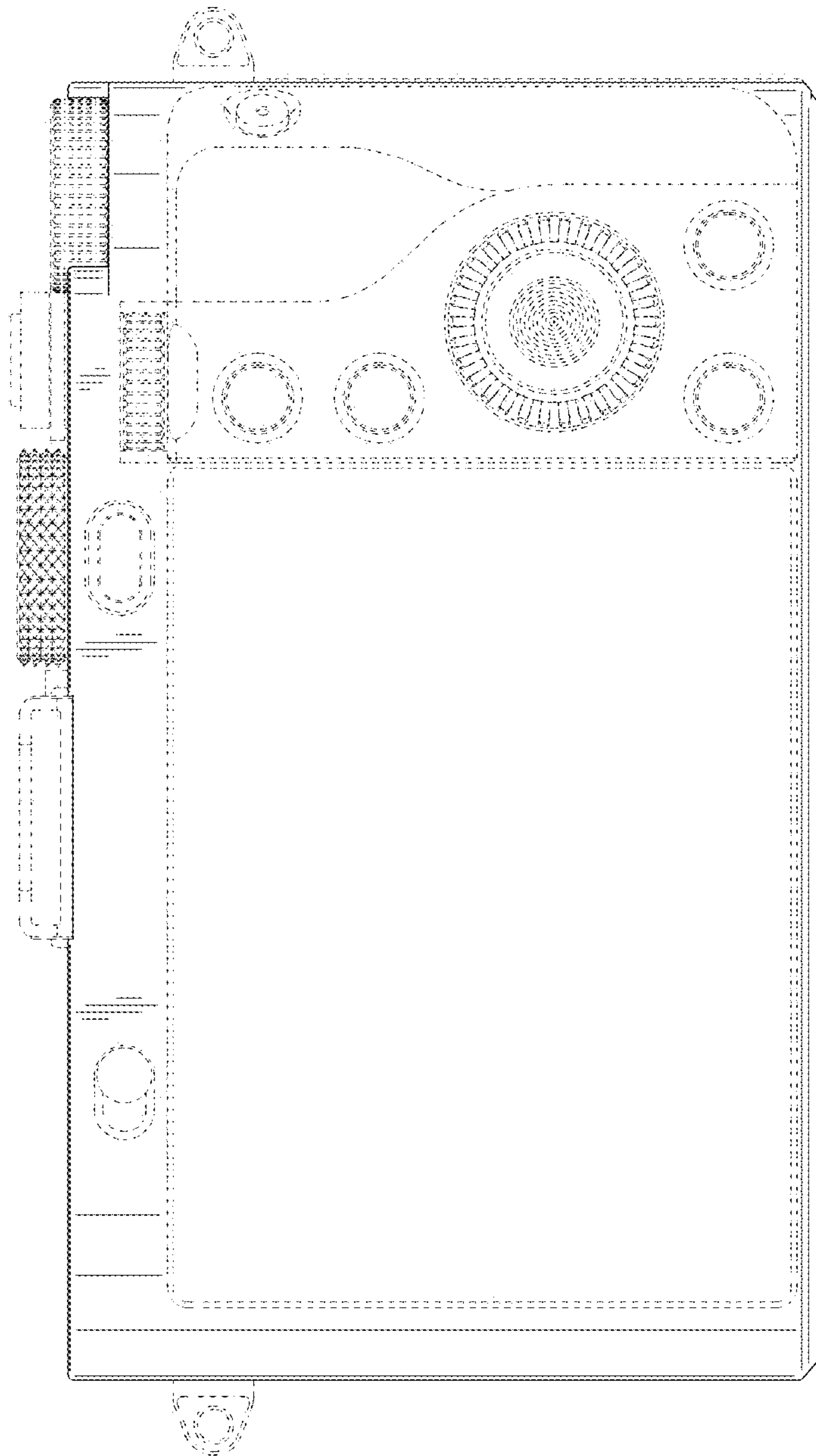


FIG. 5

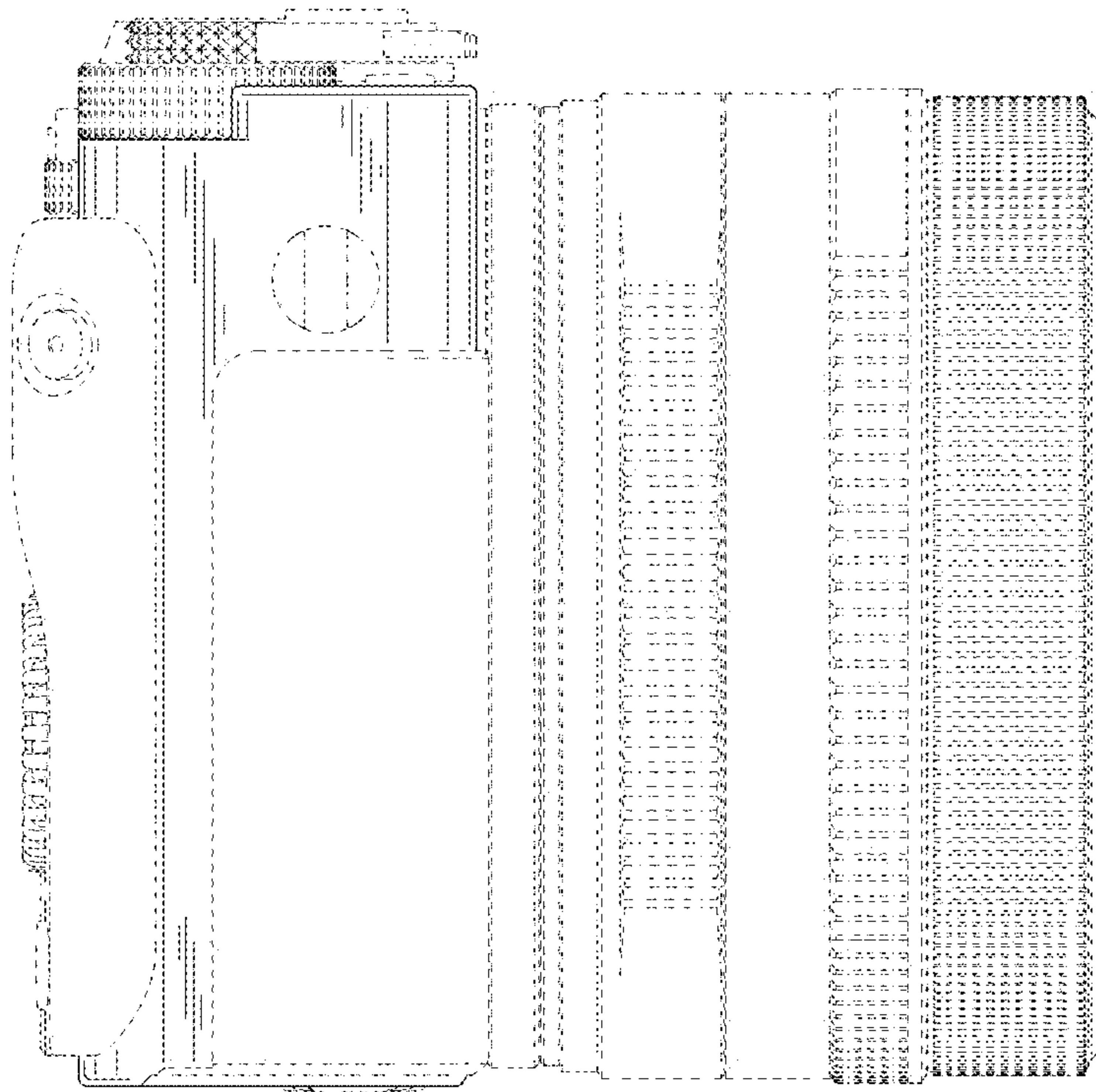


FIG. 6

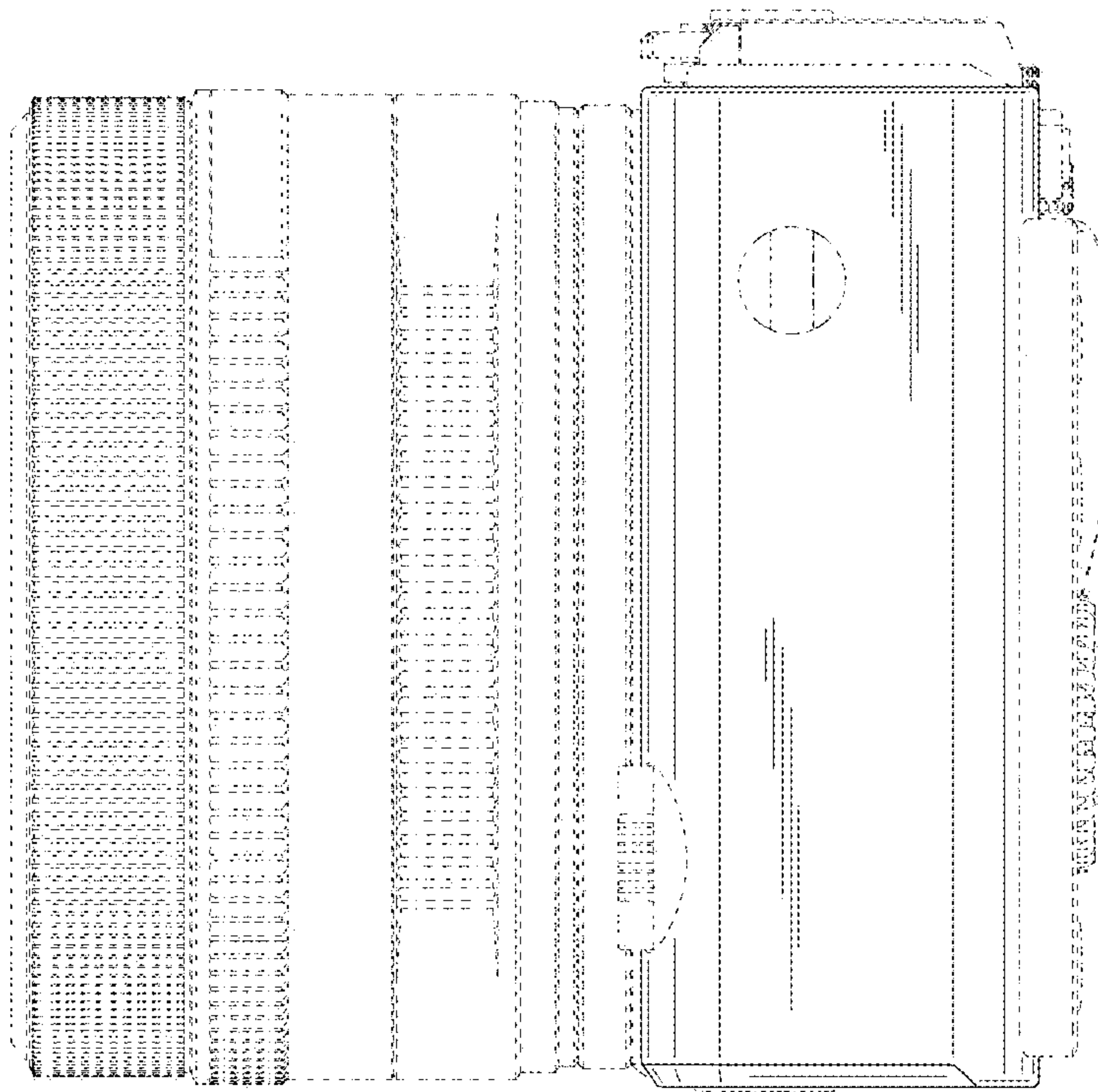


FIG.7

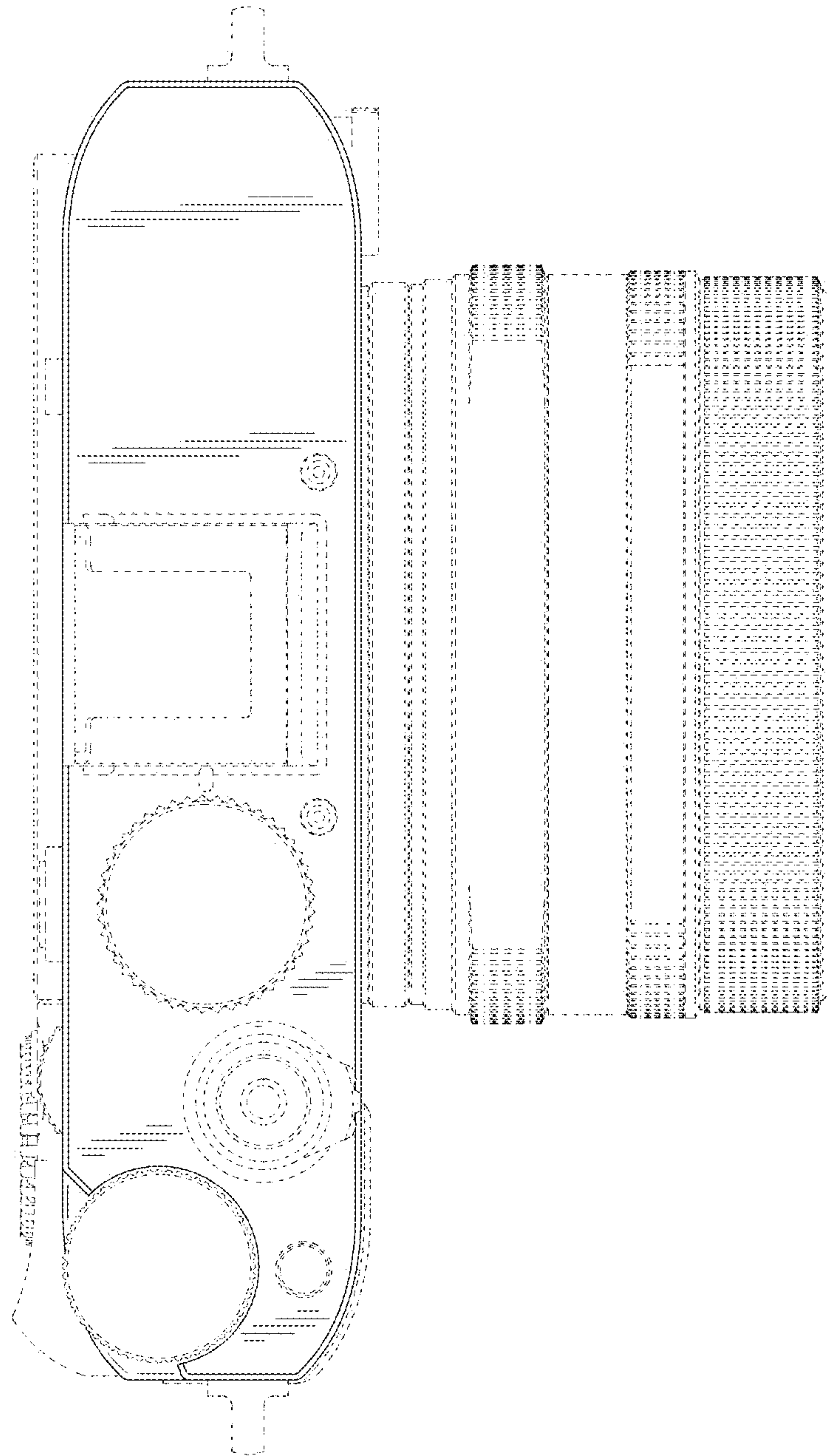


FIG. 8

