



US00D726237S

(12) **United States Design Patent**
Kim

(10) **Patent No.:** **US D726,237 S**
(45) **Date of Patent:** **** Apr. 7, 2015**

(54) **CAMERA**

(71) Applicant: **Samsung Electronics Co., Ltd.**,
Suwon-si, Gyeonggi-do (KR)

(72) Inventor: **Joo-Hyung Kim**, Busan (KR)

(73) Assignee: **Samsung Electronics Co., Ltd.** (KR)

(**) Term: **14 Years**

(21) Appl. No.: **29/472,961**

(22) Filed: **Nov. 18, 2013**

(30) **Foreign Application Priority Data**

Jun. 17, 2013 (KR) 30-2013-0031100

(51) **LOC (10) Cl.** **16-01**

(52) **U.S. Cl.**
USPC **D16/218**

(58) **Field of Classification Search**
USPC D16/200, 202, 204, 208, 218;
348/373–376; 358/909.1; 396/535–541
See application file for complete search history.

(56) **References Cited**

U.S. PATENT DOCUMENTS

D494,201 S * 8/2004 Chen D16/202
D500,774 S * 1/2005 Yuan D16/202
D502,197 S * 2/2005 Imai D16/202

D561,222 S * 2/2008 Yoo et al. D16/202
D611,974 S * 3/2010 Kwon et al. D16/202
D611,978 S * 3/2010 Kwon et al. D16/202
7,929,859 B2 * 4/2011 Saiki 396/535
D682,334 S * 5/2013 InShik et al. D16/202
D682,335 S * 5/2013 Kim et al. D16/202
D689,109 S * 9/2013 Kim et al. D16/202

* cited by examiner

Primary Examiner — Adir Aronovich

(74) *Attorney, Agent, or Firm* — Cantor Colburn LLP

(57) **CLAIM**

The ornamental design for a camera, as shown and described.

DESCRIPTION

FIG. 1 is a front perspective view of a camera showing my new design;

FIG. 2 is a front view thereof;

FIG. 3 is a rear view thereof;

FIG. 4 is a left-side elevation view thereof;

FIG. 5 is a right-side elevation view thereof;

FIG. 6 is a top view thereof;

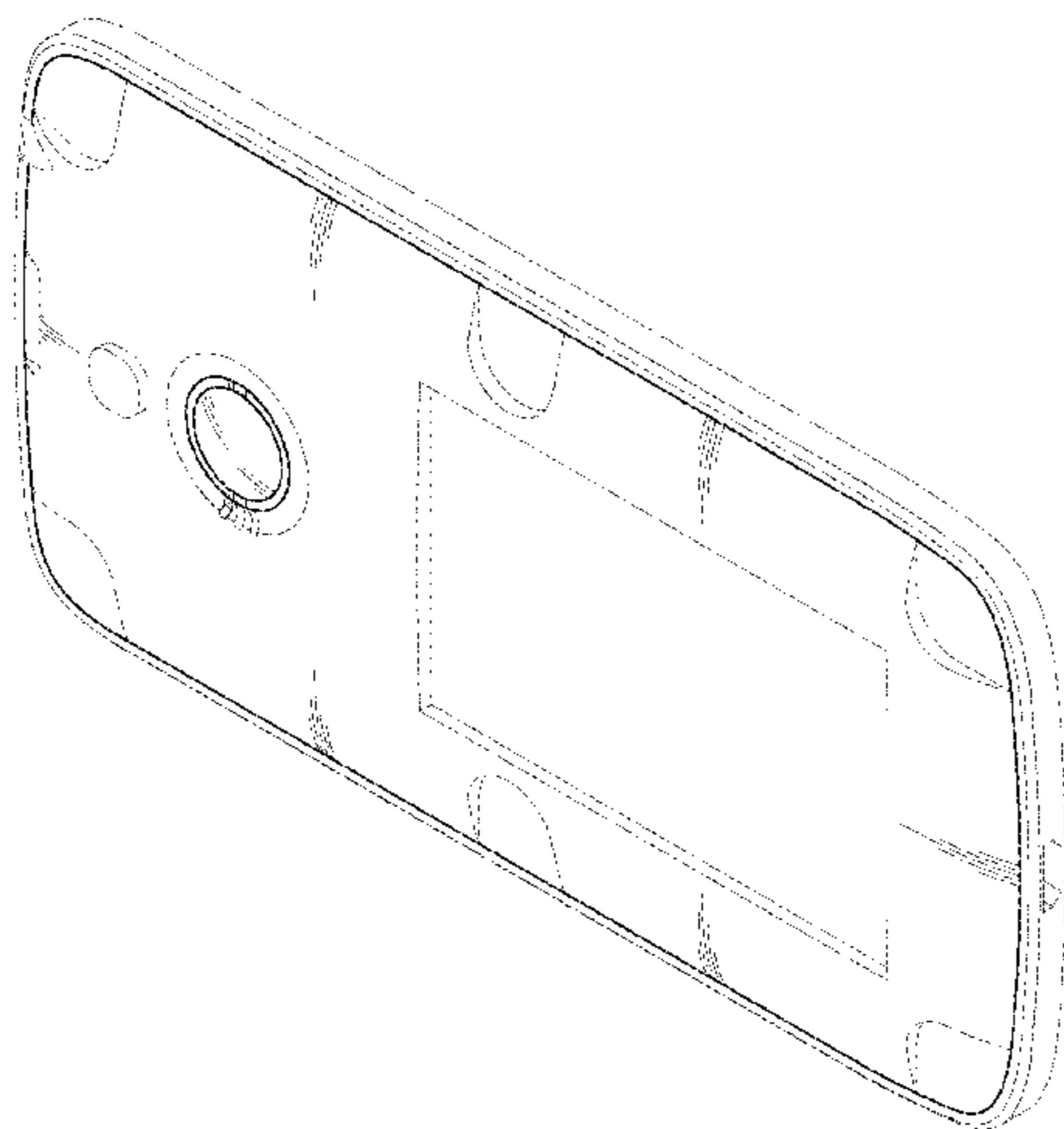
FIG. 7 is a bottom view thereof; and,

FIG. 8 is another front perspective view thereof, showing the camera in an environment with a removable cover.

The broken lines illustrating portions of the camera are for environmental purposes only and form no part of the claimed design.

The shade lines in the figures show contour and not surface ornamentation.

1 Claim, 4 Drawing Sheets



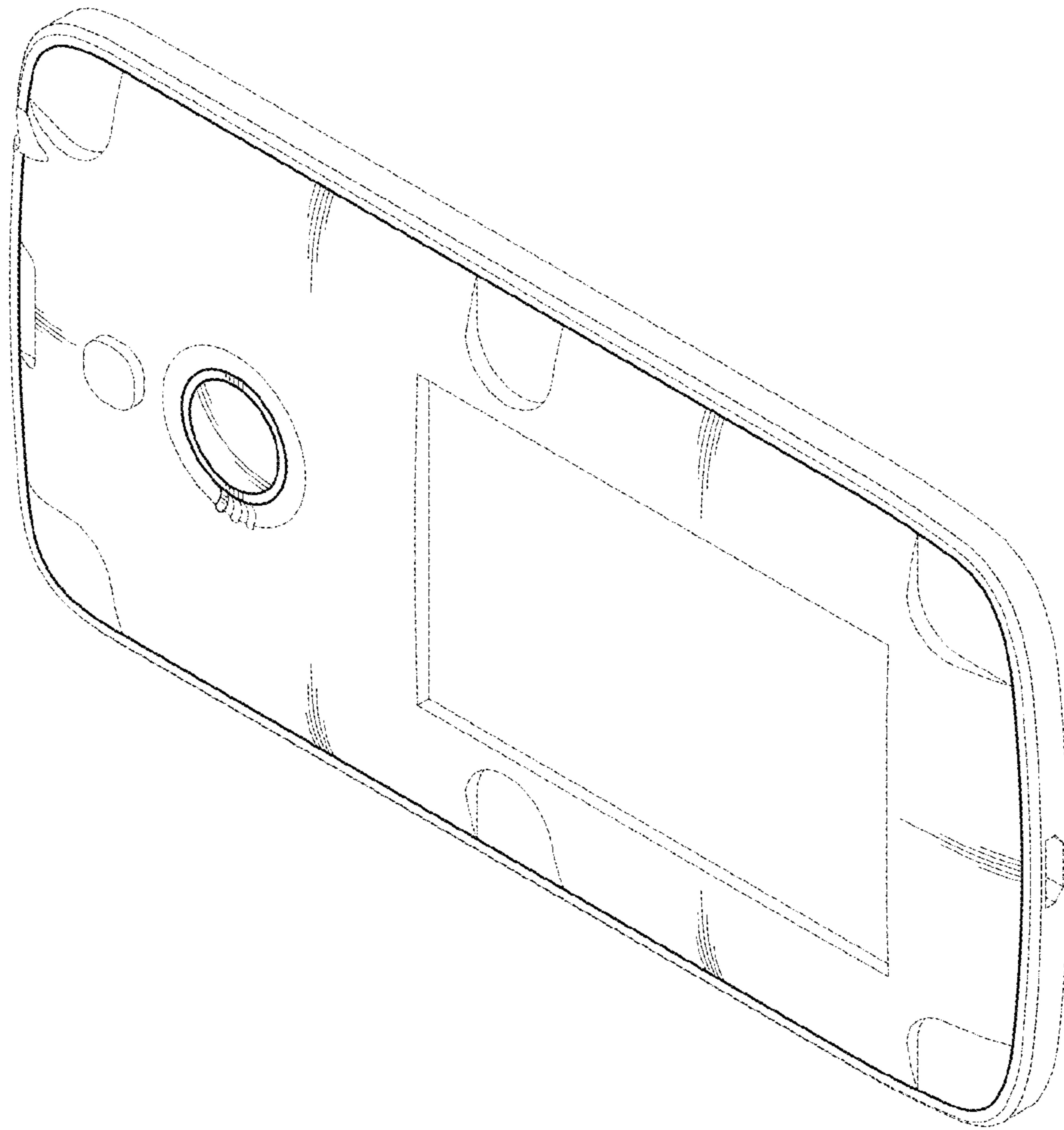


FIG.1

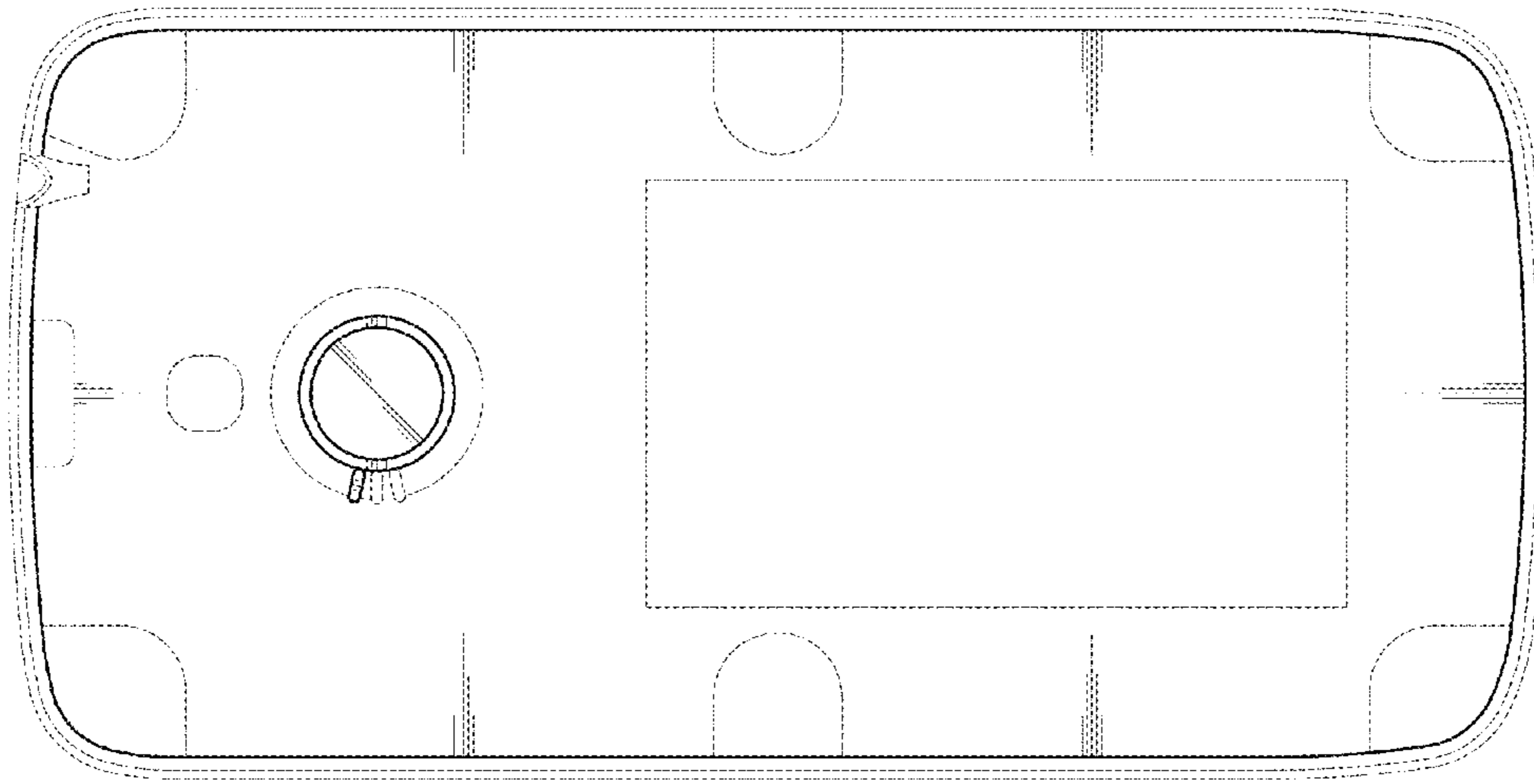


FIG. 2



FIG. 3



FIG. 4

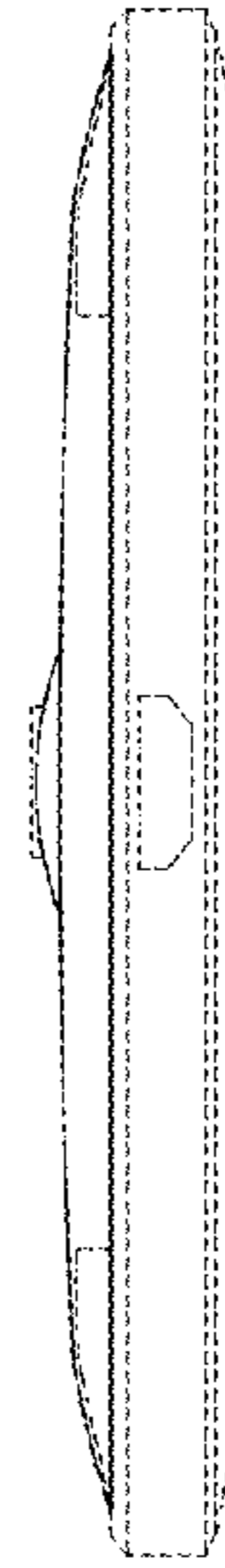


FIG. 5

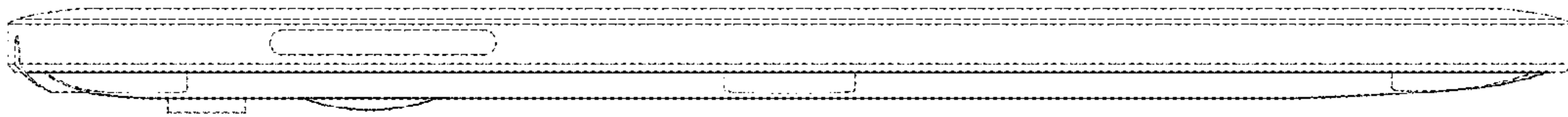


FIG. 6

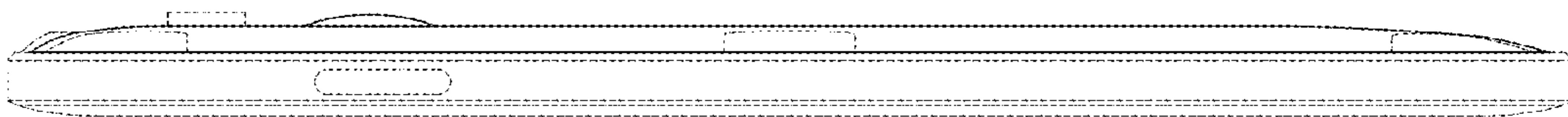


FIG. 7

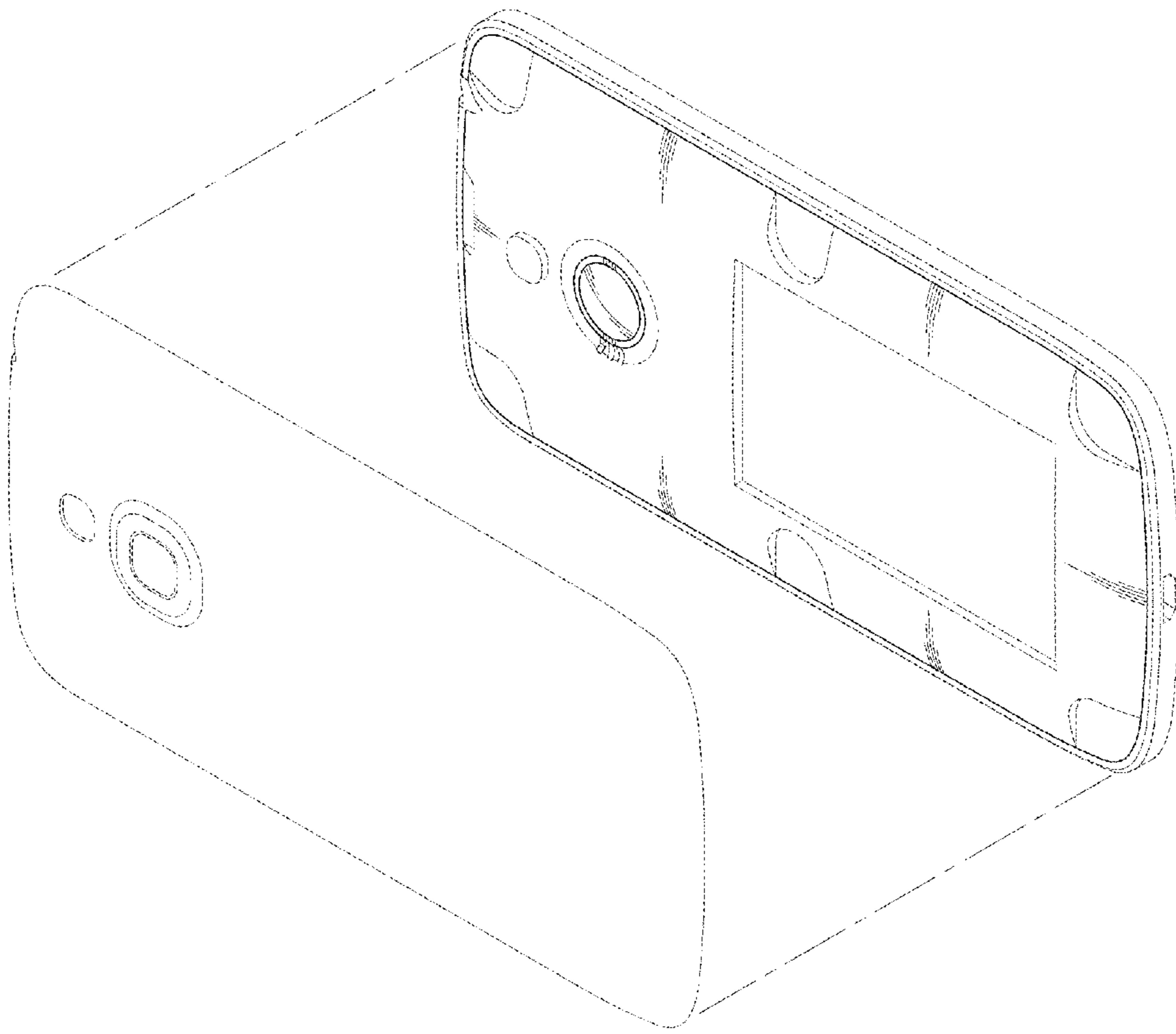


FIG.8