



US00D726235S

(12) **United States Design Patent**
Nauli

(10) **Patent No.:** **US D726,235 S**

(45) **Date of Patent:** **** Apr. 7, 2015**

(54) **HANDLE OF A MICROSCOPE**

(71) Applicant: **Carl Zeiss Meditec AG**, Jena (DE)

(72) Inventor: **Fenny Nauli**, Oberkochen (DE)

(73) Assignee: **Carl Zeiss Meditec AG**, Jena (DE)

(**) Term: **14 Years**

(21) Appl. No.: **29/480,146**

(22) Filed: **Jan. 23, 2014**

(30) **Foreign Application Priority Data**

Aug. 2, 2013 (EM) 001379713-0001

(51) **LOC (10) Cl.** **16-06**

(52) **U.S. Cl.**
USPC **D16/136**; D16/131

(58) **Field of Classification Search**
CPC G02B 23/00
USPC D16/136, 130, 131, 235, 245; D8/300;
248/183.4; 359/399, 429, 430, 432,
359/425, 426, 372, 368, 380, 383, 369,
359/363; 353/39

See application file for complete search history.

(56) **References Cited**

U.S. PATENT DOCUMENTS

617,108	A *	1/1899	Lunoin	359/430
836,771	A *	11/1906	Lohmann	359/430
1,041,002	A *	10/1912	Bergh	248/278.1
1,161,848	A *	11/1915	Cornell et al.	359/368
1,828,460	A *	10/1931	Emerson	359/391
1,870,766	A *	8/1932	Beistle	248/183.4
D155,280	S *	9/1949	Flesch	D16/245
2,673,059	A *	3/1954	Lustig	248/316.7
2,752,116	A *	6/1956	Minnis	248/181.1
2,967,458	A *	1/1961	Stone, Jr.	359/375
D195,998	S *	8/1963	Aubock	D16/131
3,147,553	A *	9/1964	Cogswell	359/430
3,188,078	A *	6/1965	Peterson	269/305
3,564,908	A *	2/1971	Fischer	73/81

3,762,797	A *	10/1973	Heller	359/375
3,809,454	A *	5/1974	Brambring	359/382
3,887,267	A *	6/1975	Heller	359/384
3,951,511	A *	4/1976	Parsons	359/430
4,139,948	A *	2/1979	Tsuchiya et al.	359/391
4,170,336	A *	10/1979	Malis	248/279.1
D262,635	S *	1/1982	Iwasaki	D16/245
D289,899	S *	5/1987	Iwasaki	D16/245
4,919,523	A *	4/1990	Burr	359/429
D309,150	S *	7/1990	Wentz	D16/131
5,224,675	A *	7/1993	Ellenberger et al.	248/183.4
D343,852	S *	2/1994	Haug	D16/245
D348,682	S *	7/1994	Losmandy	D16/136
5,655,419	A *	8/1997	Aoki	74/665 B
D412,920	S *	8/1999	Diebel et al.	D16/132
6,328,269	B1 *	12/2001	Krautloher	248/288.11
D480,100	S *	9/2003	Lam	D16/235
D631,905	S *	2/2011	Sandell	D16/245
2004/0233521	A1 *	11/2004	McWilliams	359/399

* cited by examiner

Primary Examiner — Paula Greene

(74) *Attorney, Agent, or Firm* — Walter Ottesen P.A.

(57) **CLAIM**

The ornamental design for a handle of a microscope, as shown and described.

DESCRIPTION

FIG. 1 is a perspective view of a handle of a microscope of my new design;

FIG. 2 is a front elevation view of the handle of a microscope of FIG. 1;

FIG. 3 is a rear elevation view of the handle of a microscope of FIG. 1;

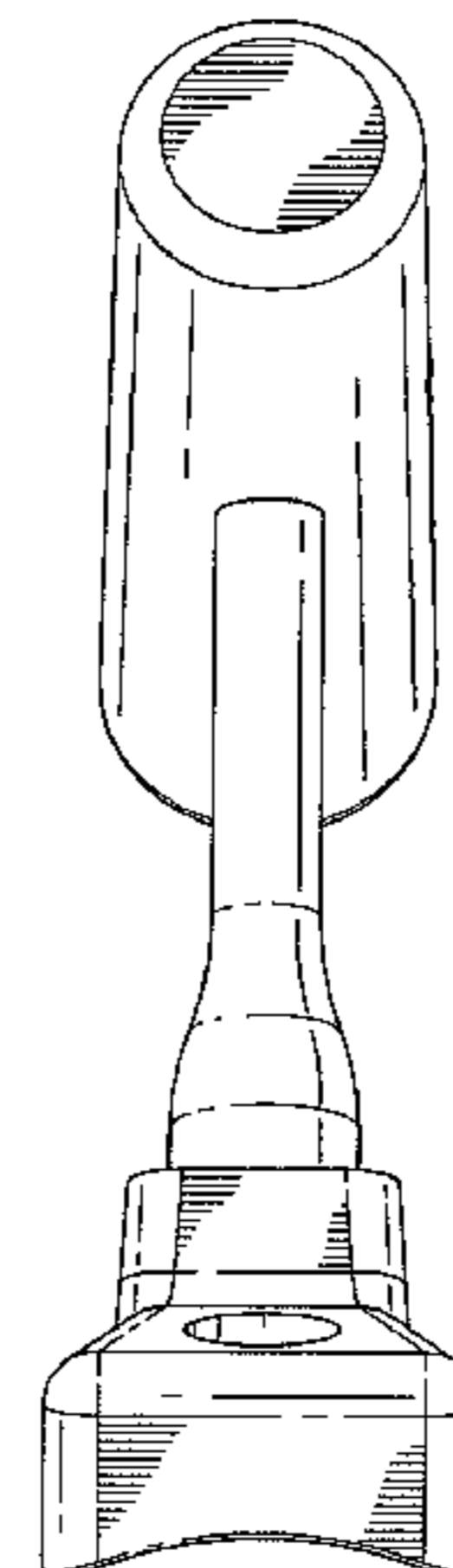
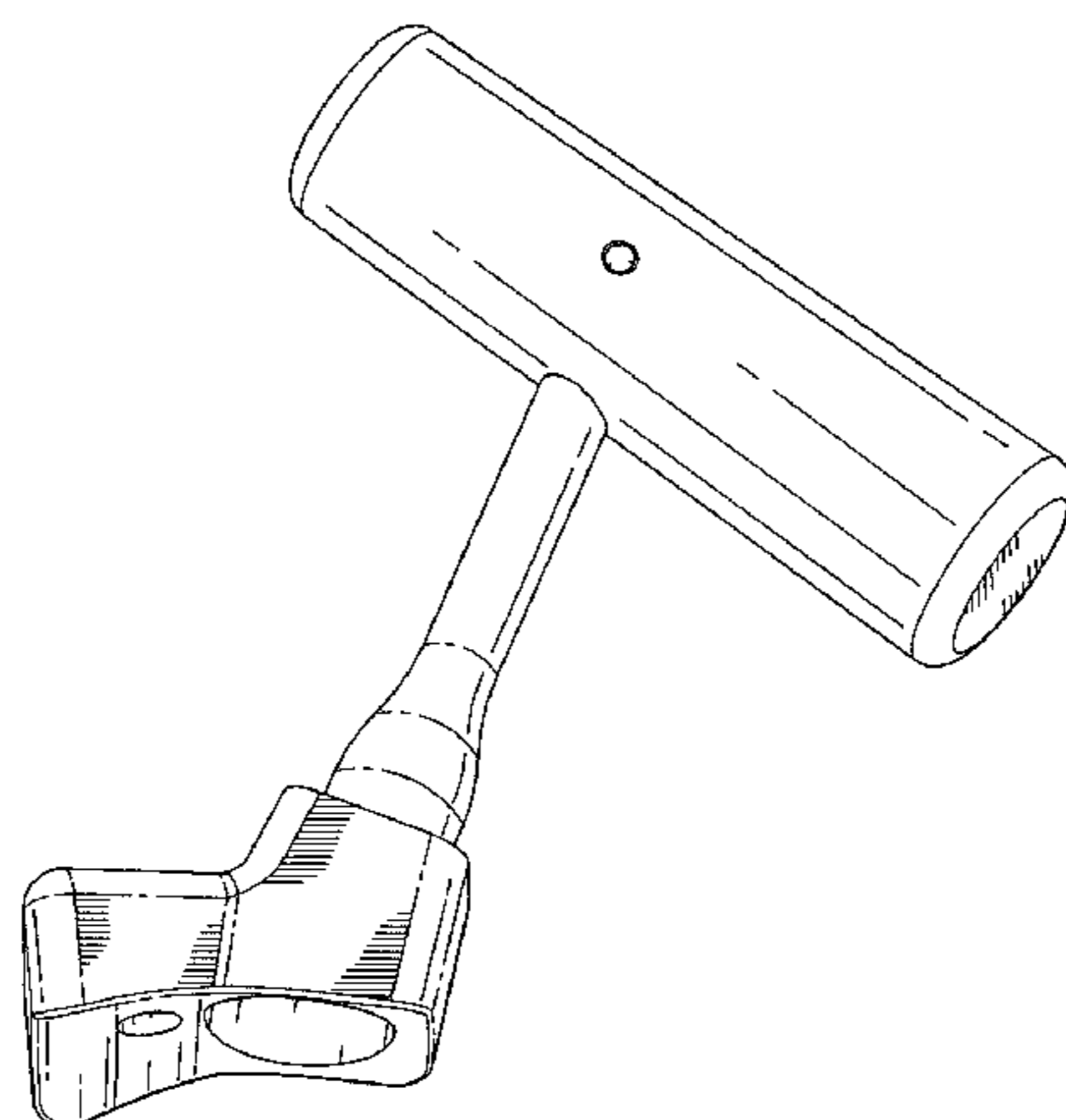
FIG. 4 is a left side elevation view of the handle of a microscope of FIG. 1;

FIG. 5 is a right side elevation view of the handle of a microscope of FIG. 1;

FIG. 6 is a top plan view of the handle of a microscope of FIG. 1; and,

FIG. 7 is a bottom plan view of the handle of a microscope of FIG. 1.

1 Claim, 7 Drawing Sheets



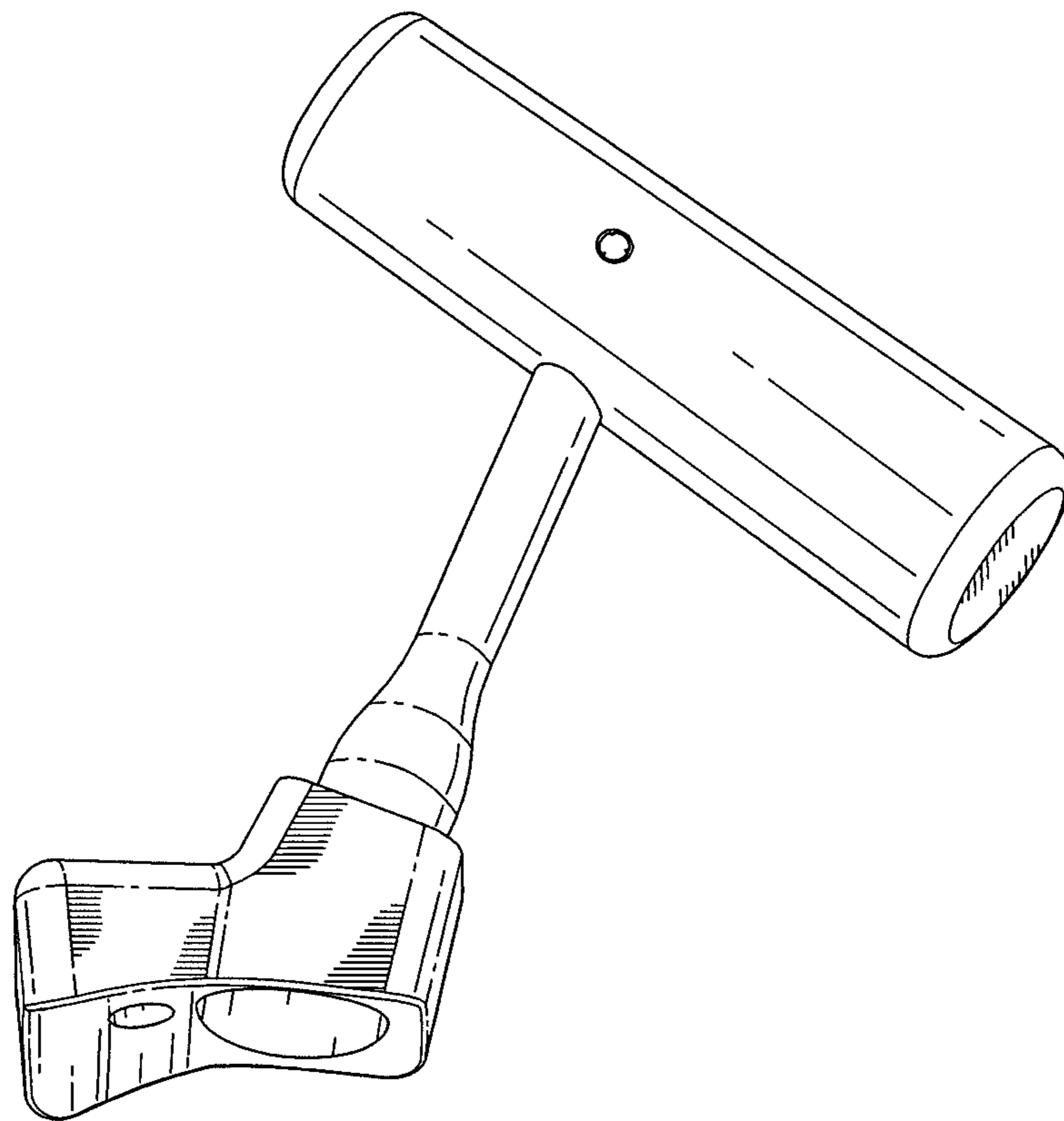


FIG. 1

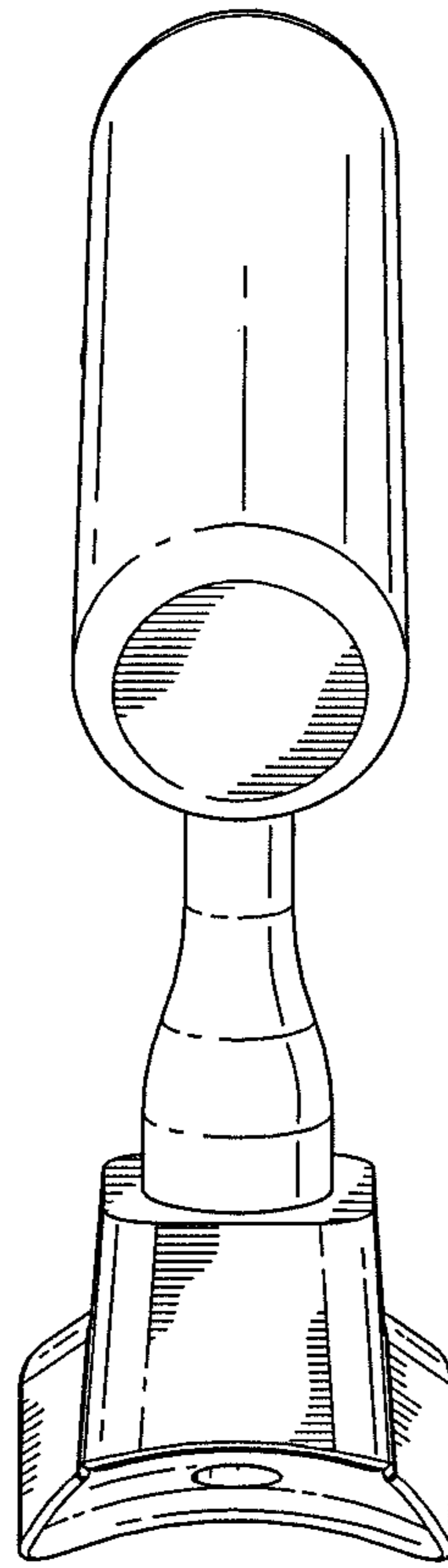


FIG. 2

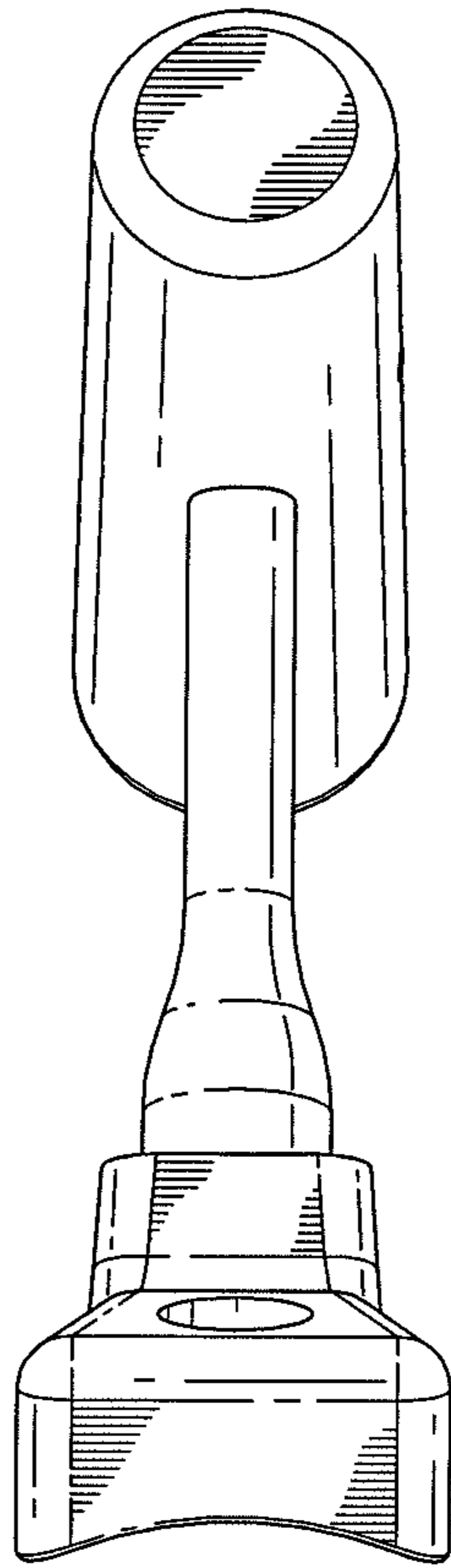


FIG. 3

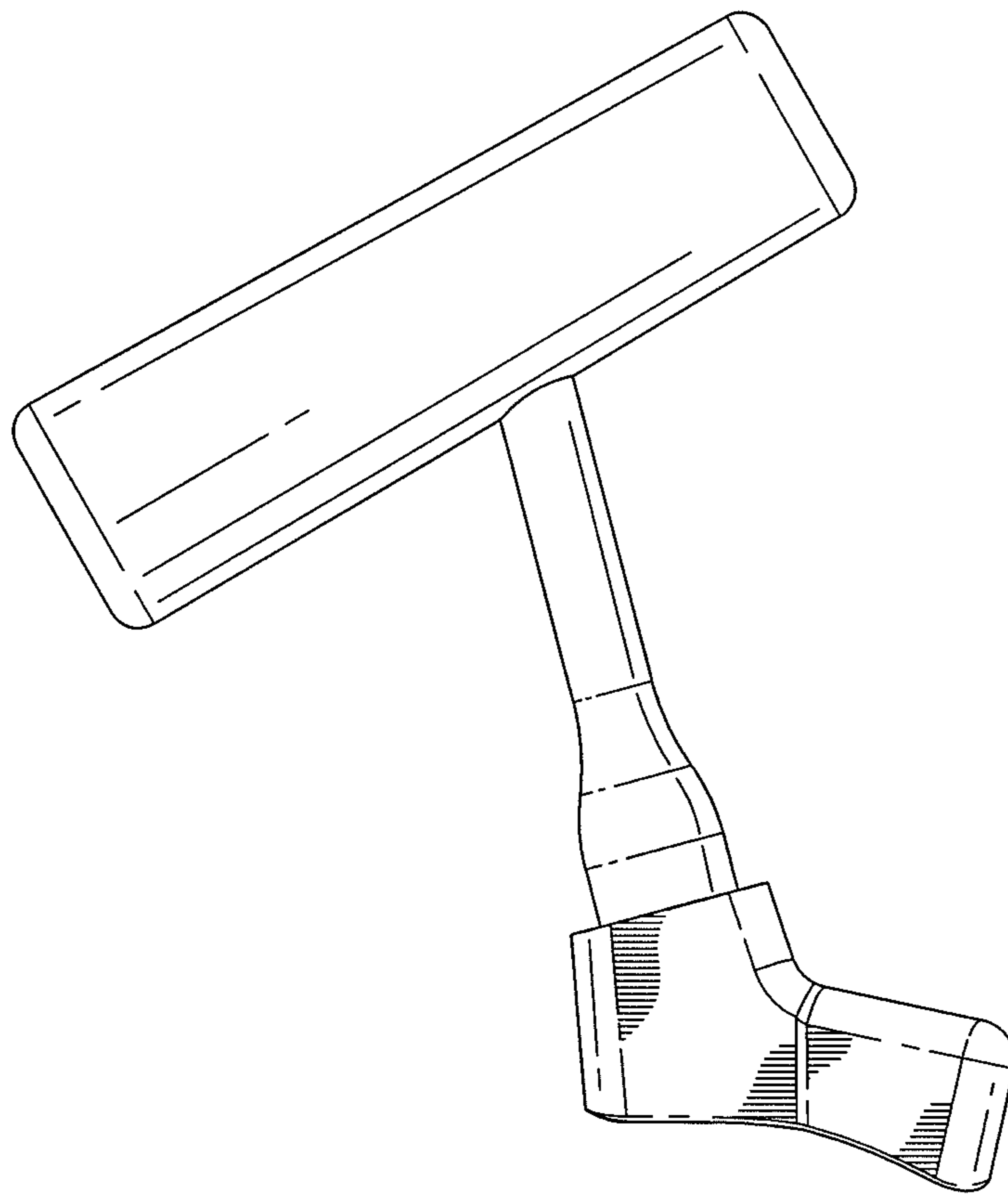


FIG. 4

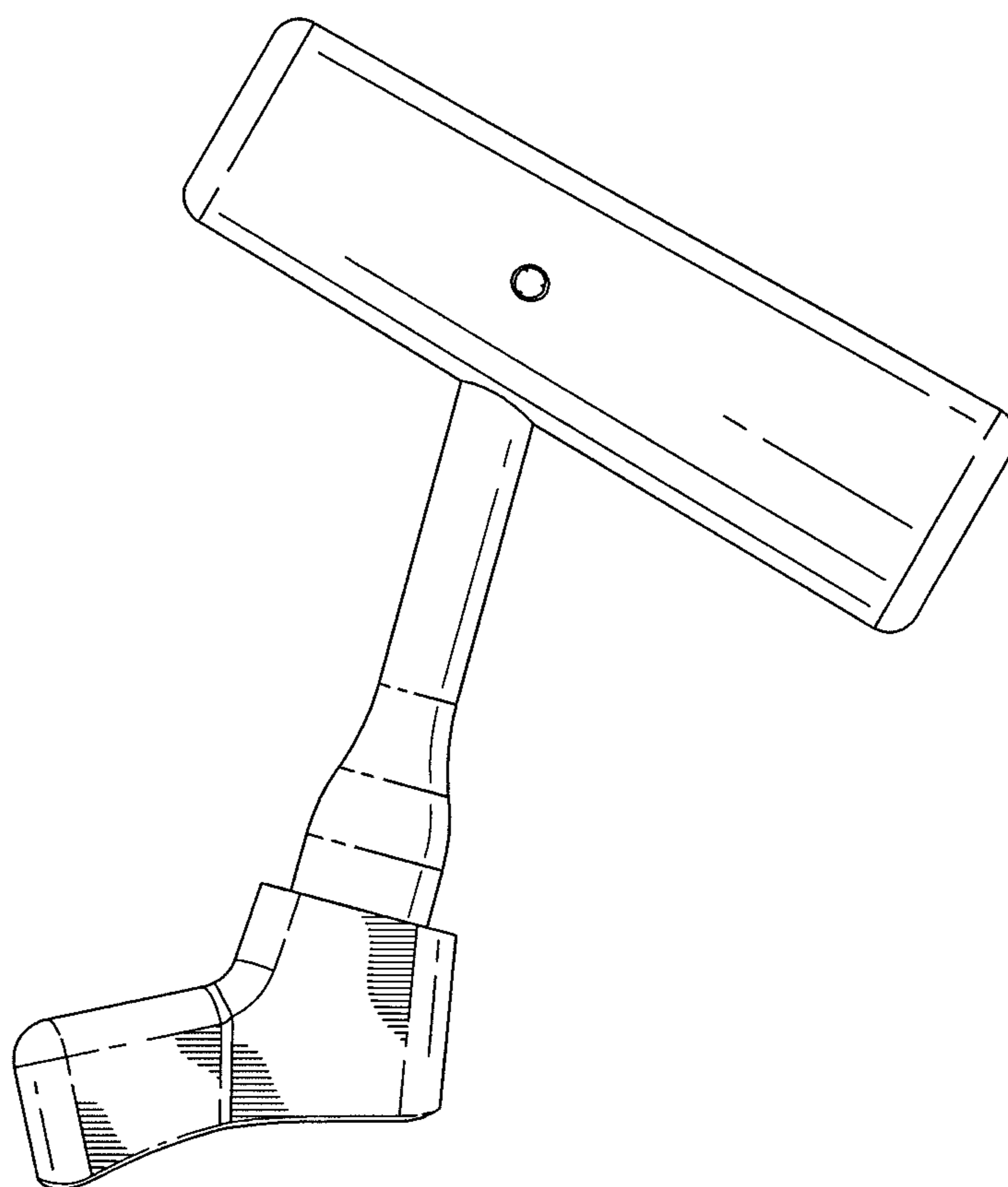


FIG. 5

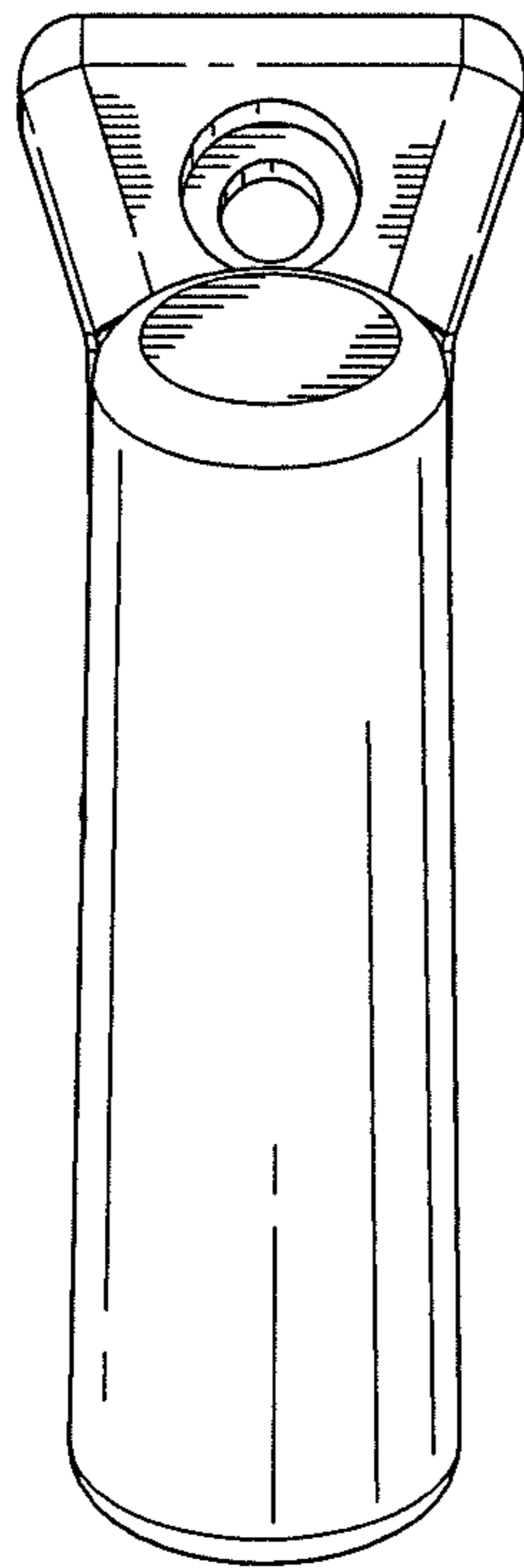


FIG. 6

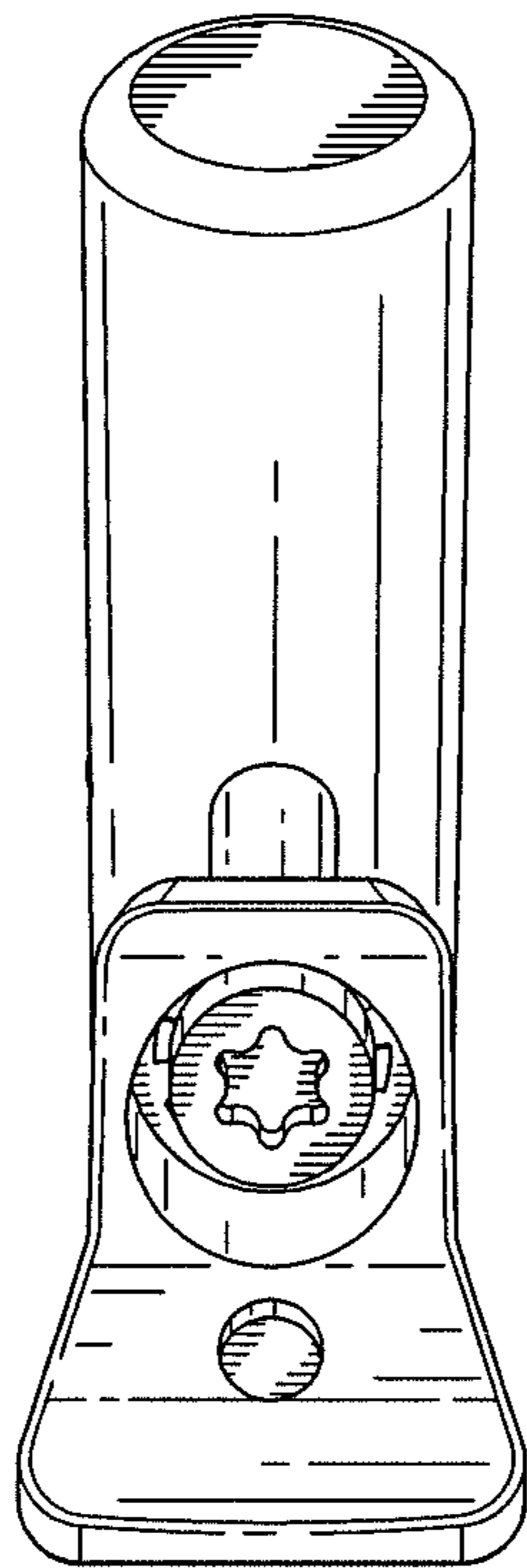


FIG. 7