



US00D726234S

(12) **United States Design Patent**
Needham

(10) **Patent No.:** **US D726,234 S**

(45) **Date of Patent:** **** Apr. 7, 2015**

(54) **STEREOSCOPIIC ATTACHMENT**

(71) Applicant: **Barry Needham**, Long Beach, CA (US)

(72) Inventor: **Barry Needham**, Long Beach, CA (US)

(**) Term: **14 Years**

(21) Appl. No.: **29/481,411**

(22) Filed: **Feb. 5, 2014**

(51) **LOC (10) Cl.** **16-01**

(52) **U.S. Cl.**
USPC **D16/133**; D14/238.1; D16/130

(58) **Field of Classification Search**

CPC G02B 27/02
USPC D16/133, 130, 134, 135, 207, 221, 227,
D16/222, 229, 236; D14/238.1; 359/377,
359/469, 474, 812, 464, 466; 396/373;
348/49, 53, 54; D21/333

See application file for complete search history.

(56) **References Cited**

U.S. PATENT DOCUMENTS

2,131,444	A *	9/1938	Bernhard et al.	359/474
D171,480	S *	2/1954	Beck	D16/222
D174,111	S *	3/1955	Crapsy, Jr.	D16/222
D178,009	S *	6/1956	Rideout et al.	D16/229
2,789,460	A *	4/1957	Kaufman	359/474
D183,071	S *	6/1958	Tashima	D16/221
D183,462	S *	9/1958	Maiershofer et al.	D16/227
2,897,816	A *	8/1959	Williams	606/204.25
2,934,999	A *	5/1960	Baumel	359/474
D188,773	S *	9/1960	Thoburn	D16/229
3,081,870	A *	3/1963	Piettner	206/456
3,389,636	A *	6/1968	Weitzner et al.	360/101
3,434,772	A *	3/1969	Fogle	359/377
3,734,596	A *	5/1973	Nerlich	359/474
4,013,341	A *	3/1977	Riley	359/408
D251,494	S *	4/1979	Richards et al.	D16/222
4,175,828	A *	11/1979	Carver	359/474
4,239,328	A *	12/1980	Justice et al.	359/408

4,443,071	A *	4/1984	Ueda	359/399
4,478,498	A *	10/1984	Ohno	359/408
4,549,785	A *	10/1985	Vitrac	359/474
4,589,659	A *	5/1986	Yokoi et al.	463/34
4,789,220	A *	12/1988	Kinnard	359/473
4,893,222	A *	1/1990	Mintzer	362/109
5,055,977	A *	10/1991	Acquanetta	362/23
D323,180	S *	1/1992	Bush	D16/222
5,130,853	A *	7/1992	Sakurai	359/803
D409,637	S *	5/1999	Tomita et al.	D16/133
6,307,686	B1 *	10/2001	Ferraro	359/802
8,123,622	B1 *	2/2012	Young et al.	463/47
D672,798	S *	12/2012	Leanza	D16/130
8,385,004	B2 *	2/2013	Hicks	359/699
D678,954	S *	3/2013	Young et al.	D21/333
2007/0280677	A1 *	12/2007	Drake et al.	396/429
2009/0046141	A1 *	2/2009	Nojiri et al.	348/53

* cited by examiner

Primary Examiner — Paula Greene

(57) **CLAIM**

The ornamental design for a stereoscopic attachment, as shown and described.

DESCRIPTION

FIG. 1 is a perspective front view of a stereoscopic attachment, shown with a mobile device;

FIG. 2 is a front elevation view of the stereoscopic attachment, the portions shown in broken lines forming no part of the claimed design;

FIG. 3 is a rear elevation view of the stereoscopic attachment, the portions shown in broken lines forming no part of the claimed design;

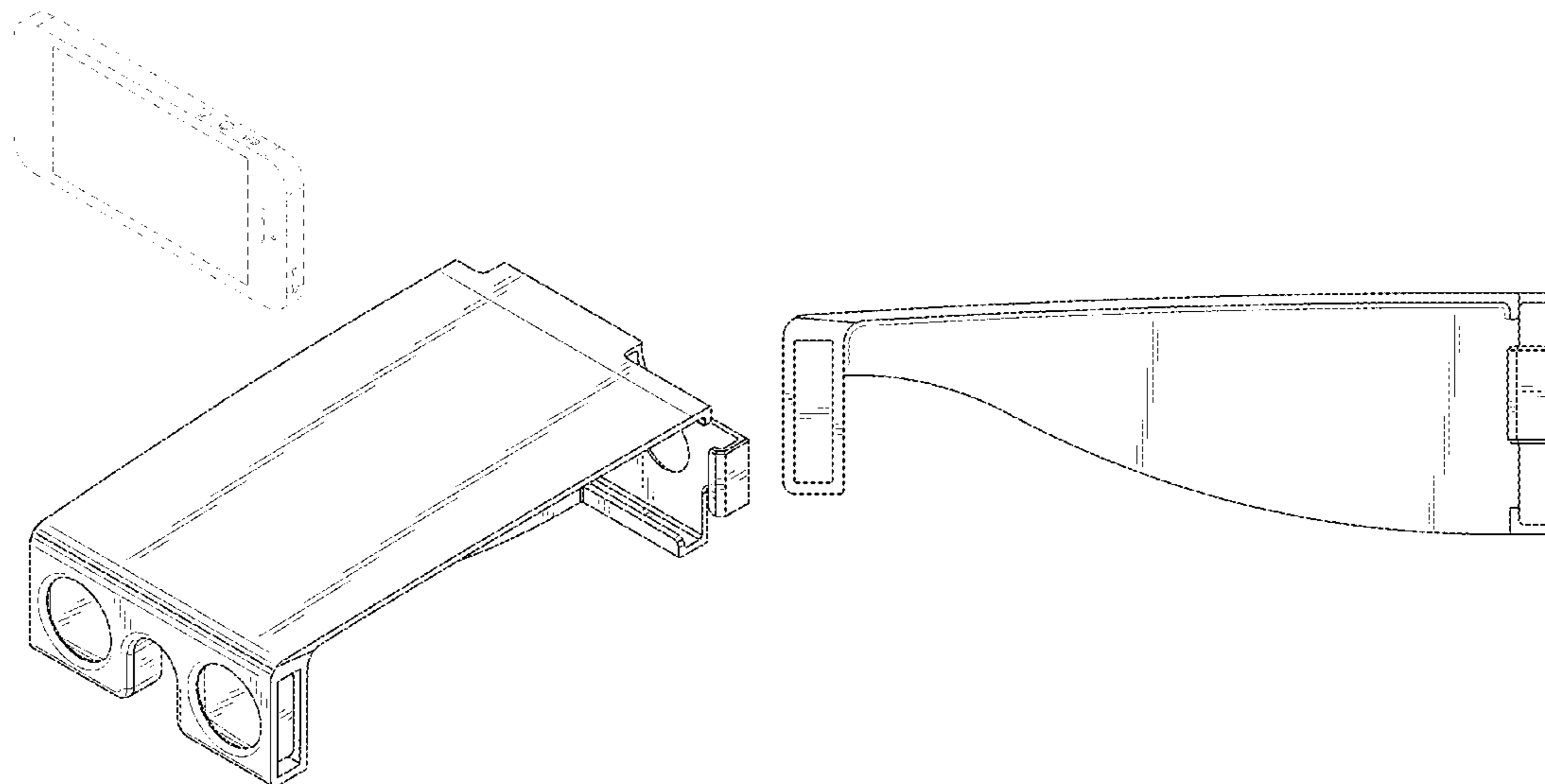
FIG. 4 is a left elevation view of the stereoscopic attachment;

FIG. 5 is a right elevation view of the stereoscopic attachment;

FIG. 6 is a top plan view of the stereoscopic attachment; and,

FIG. 7 is a bottom plan view of the stereoscopic attachment. The mobile device is shown in broken lines for illustrative purposes only and forms no part of the claimed design.

1 Claim, 4 Drawing Sheets



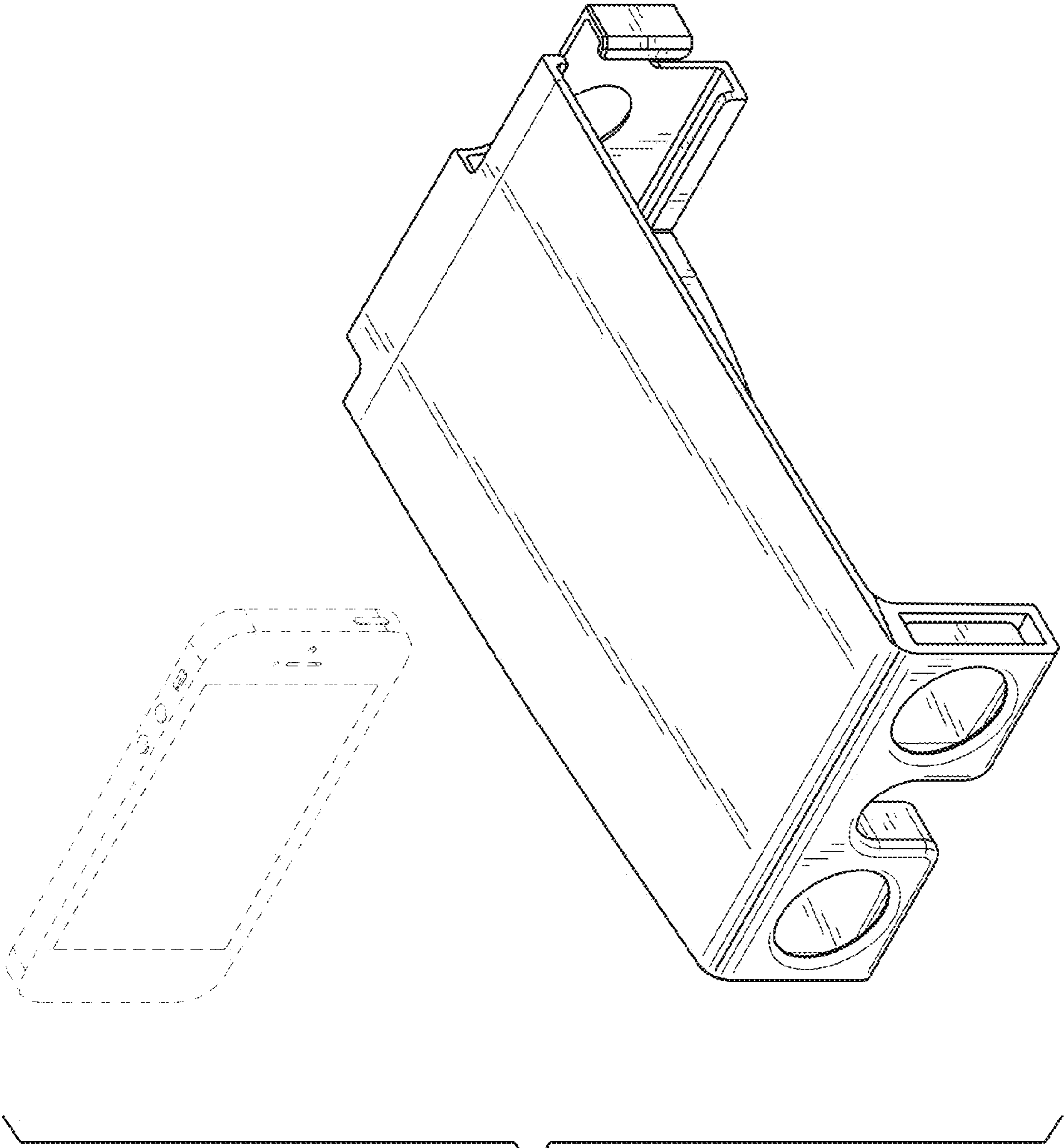


FIG. 1

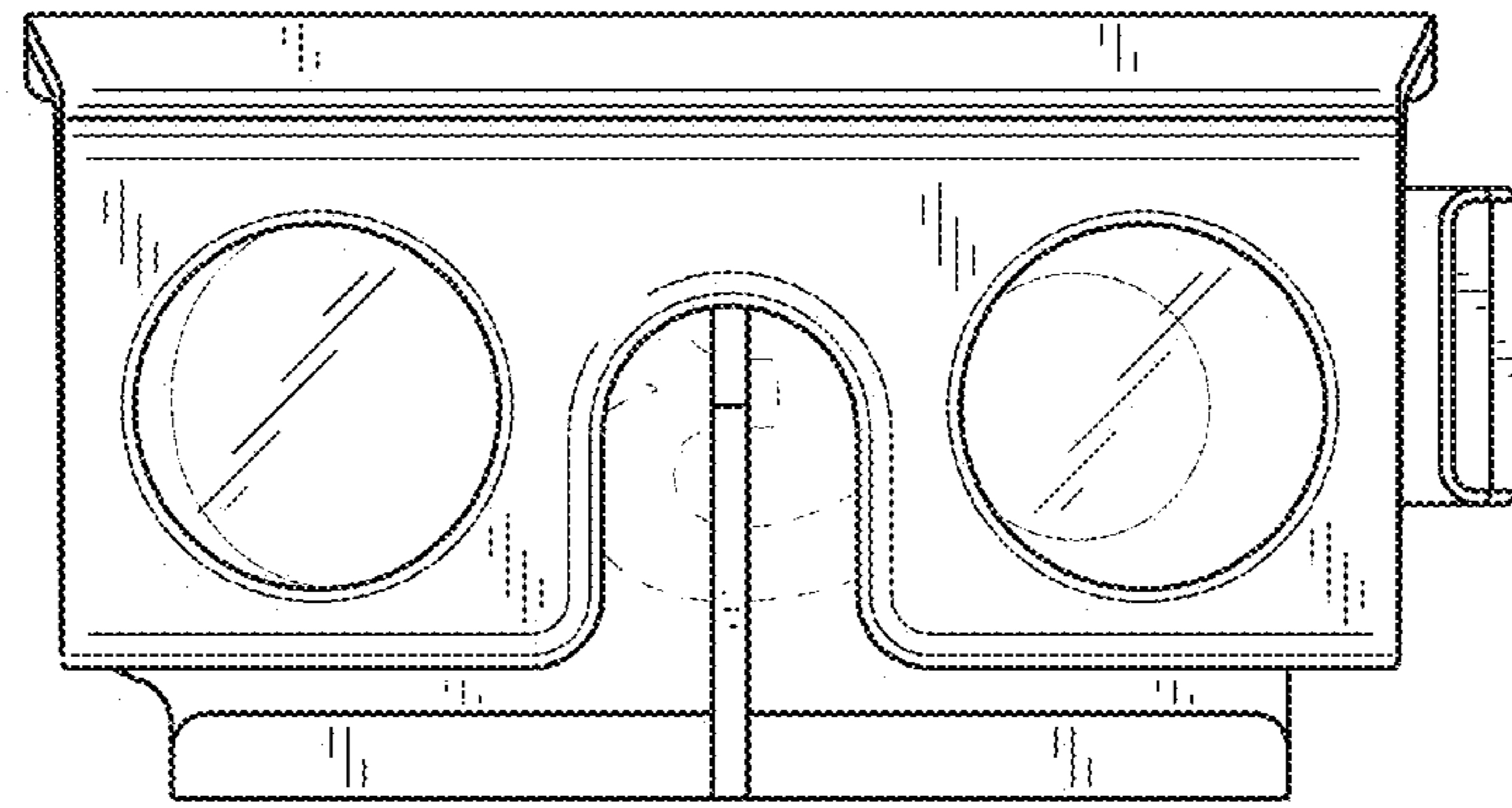


FIG. 2

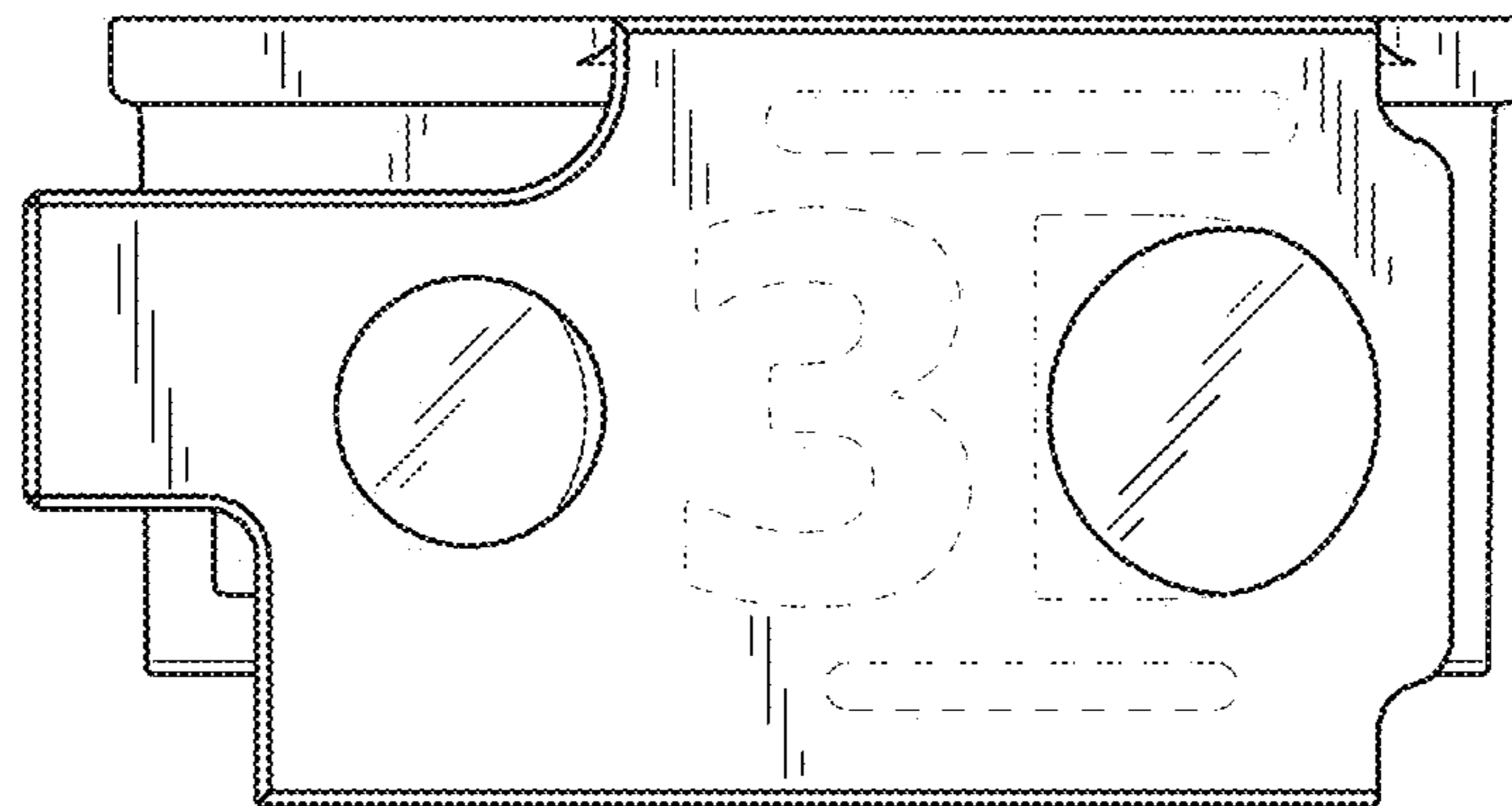


FIG. 3

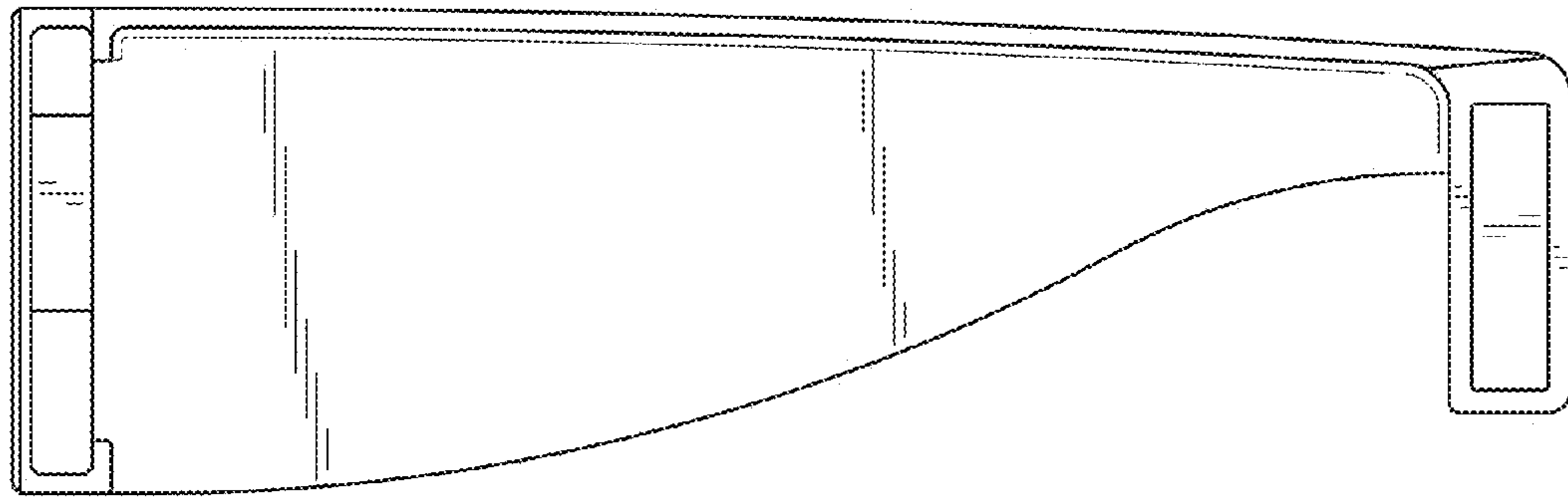


FIG. 4

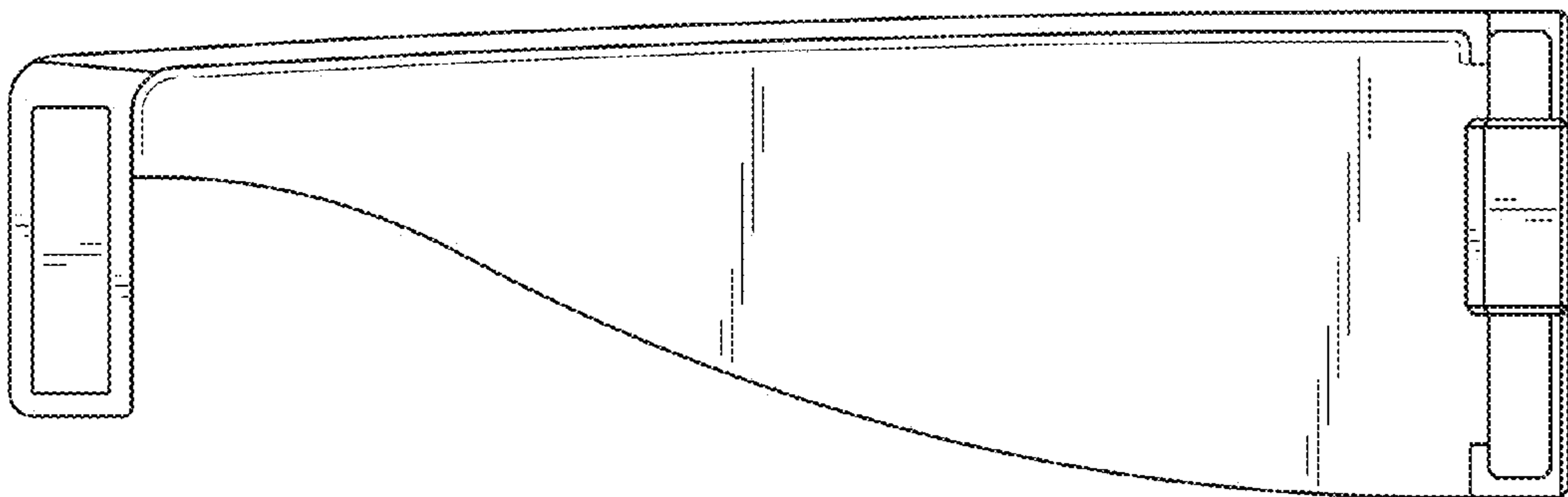


FIG. 5

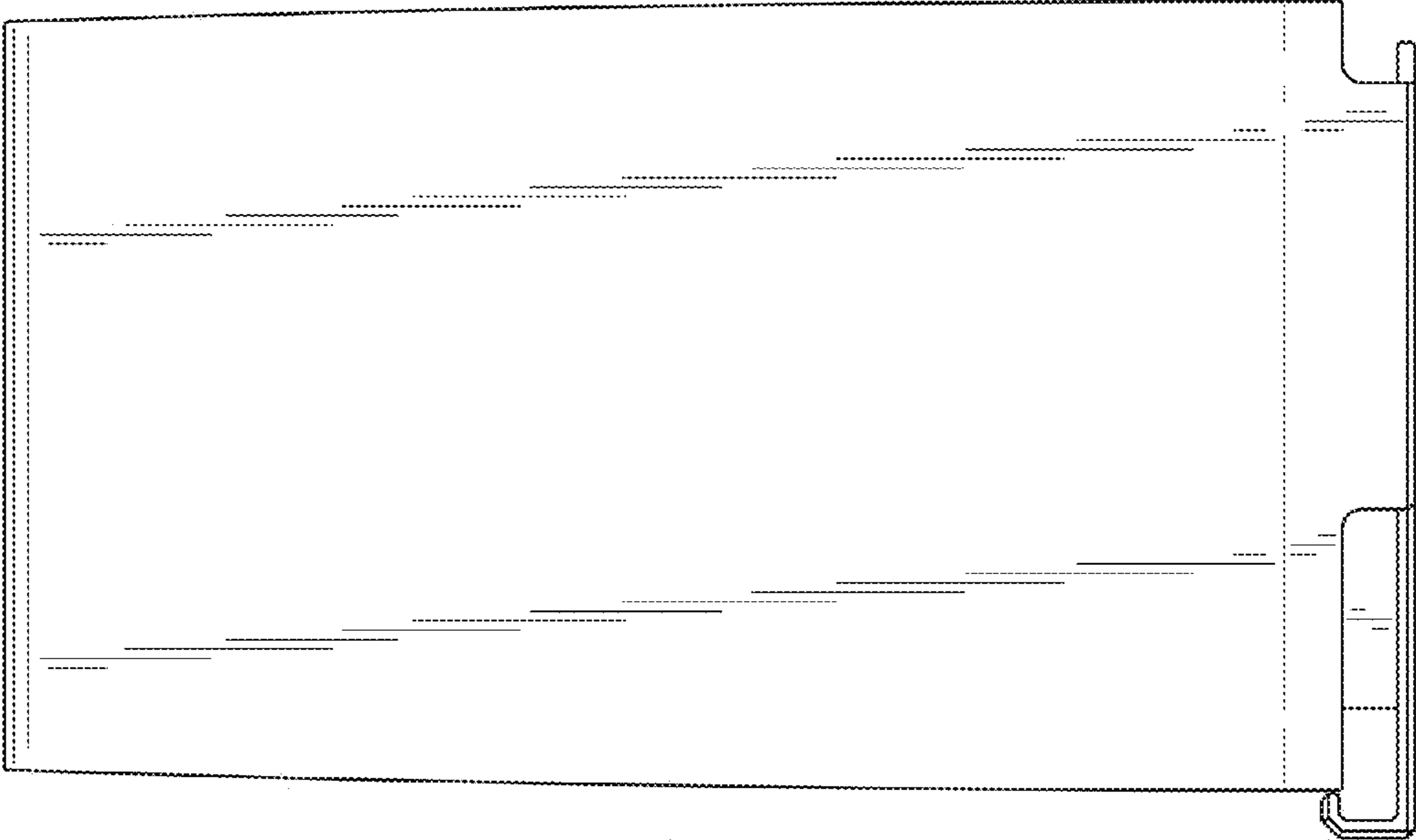


FIG. 6

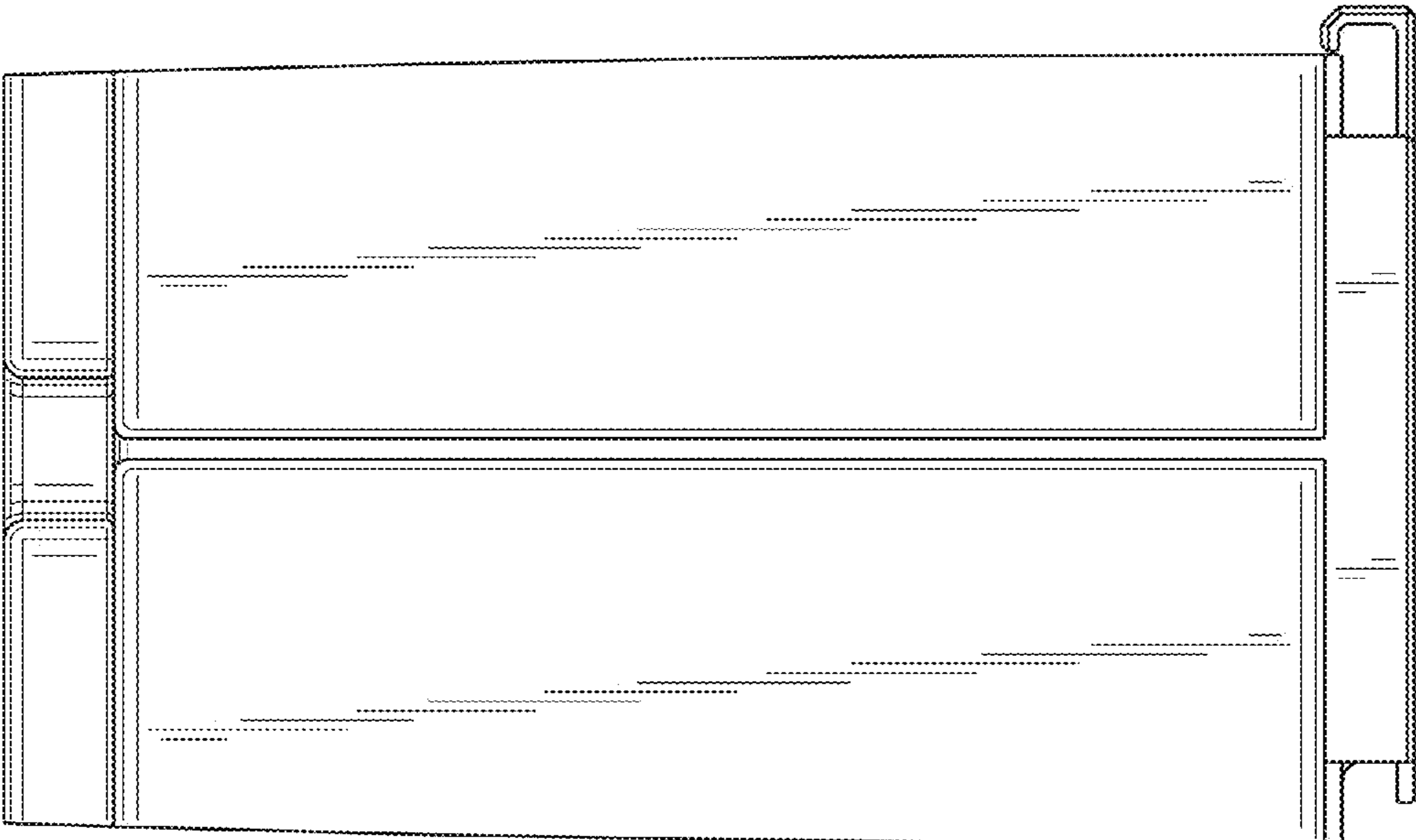


FIG. 7