

US00D726233S

(12) **United States Design Patent**
Cho et al.

(10) **Patent No.:** **US D726,233 S**
(45) **Date of Patent:** **** Apr. 7, 2015**

(54) **REFRIGERATOR**

(71) Applicant: **LG Electronics Inc.**, Seoul (KR)

(72) Inventors: **Kyeongchul Cho**, Gwangmyeong-si (KR); **Jinwon Kang**, Seongnam-si (KR); **Hyun Choi**, Gwacheon-si (KR); **Sangwoog Cho**, Gunpo-si (KR)

(73) Assignee: **LG Electronics Inc.**, Seoul (KR)

(**) Term: **14 Years**

(21) Appl. No.: **29/472,426**

(22) Filed: **Nov. 12, 2013**

(30) **Foreign Application Priority Data**

May 13, 2013 (KR) 30-2013-0025103

(51) **LOC (10) Cl.** **15-07**

(52) **U.S. Cl.**
USPC **D15/86**

(58) **Field of Classification Search**
USPC D15/79-91; 312/114-119, 236, 352,
312/400-408; 62/3.1-3.64, 293, 371, 400,
62/467, 529, 531
See application file for complete search history.

(56) **References Cited**

U.S. PATENT DOCUMENTS

D452,255 S * 12/2001 Chai et al. D15/85
D495,719 S * 9/2004 Kirchner et al. D15/86

D508,059 S * 8/2005 Seok et al. D15/86
D508,925 S * 8/2005 Seok et al. D15/86
D522,540 S * 6/2006 Cho et al. D15/86
D535,669 S * 1/2007 Seum et al. D15/91
D567,262 S * 4/2008 Crookshanks D15/91
D577,373 S * 9/2008 Crookshanks D15/91
D614,208 S * 4/2010 Seo et al. D15/86
D630,232 S * 1/2011 Seo et al. D15/85
D639,316 S * 6/2011 Roberson et al. D15/86
D708,234 S * 7/2014 Yunho D15/86

* cited by examiner

Primary Examiner — Stella Reid

Assistant Examiner — Khawaja Anwar

(74) *Attorney, Agent, or Firm* — Birch, Stewart, Kolasch & Birch, LLP

(57) **CLAIM**

The ornamental design for a refrigerator, as shown and described.

DESCRIPTION

FIG. 1 is a perspective view of a refrigerator showing our new design;
FIG. 2 is a front view thereof;
FIG. 3 is a rear view thereof;
FIG. 4 is a left side view thereof where the right side view is a mirror image;
FIG. 5 is a top plan view thereof; and,
FIG. 6 is a bottom plan view thereof.

1 Claim, 5 Drawing Sheets

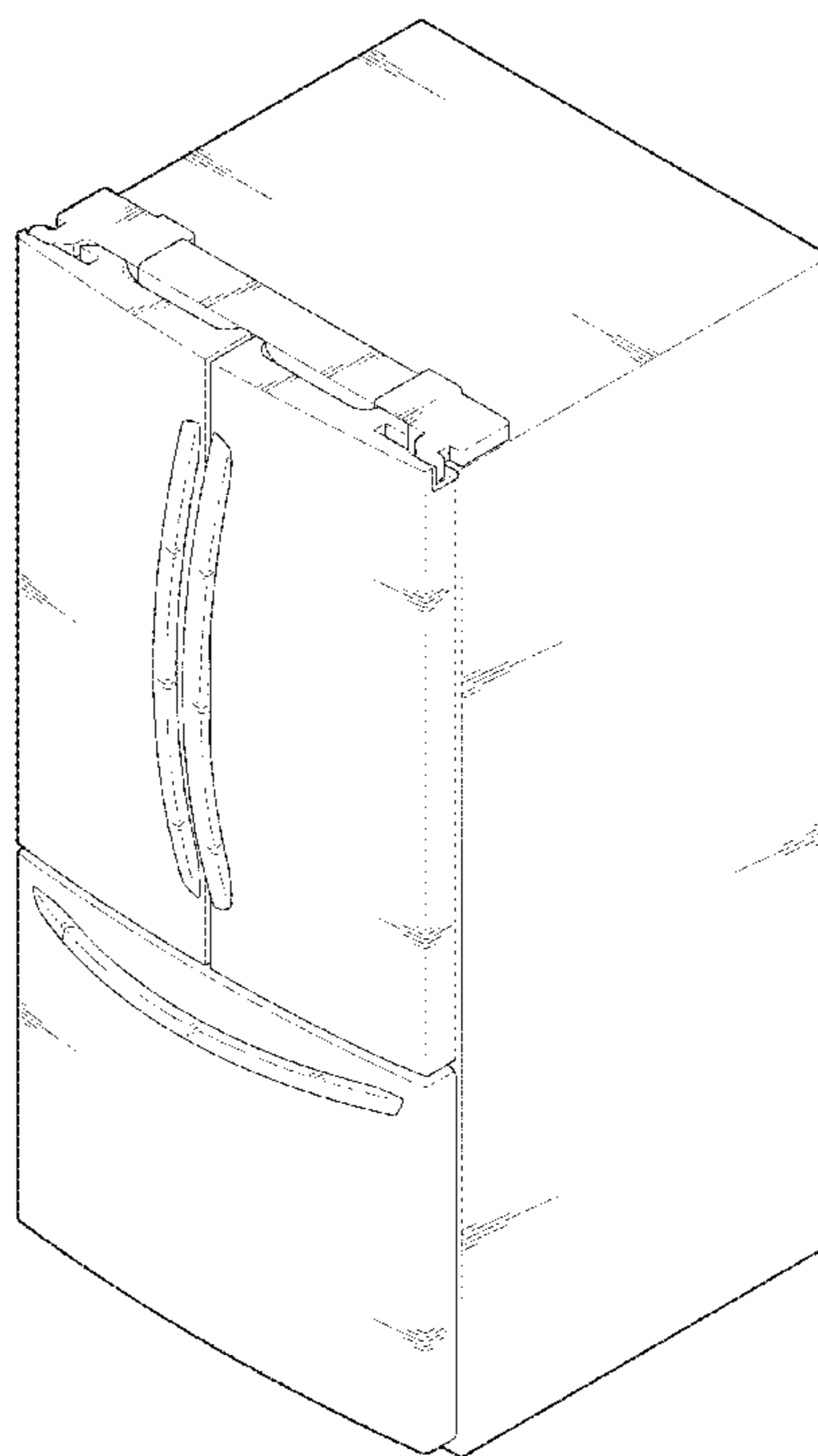


FIG. 1

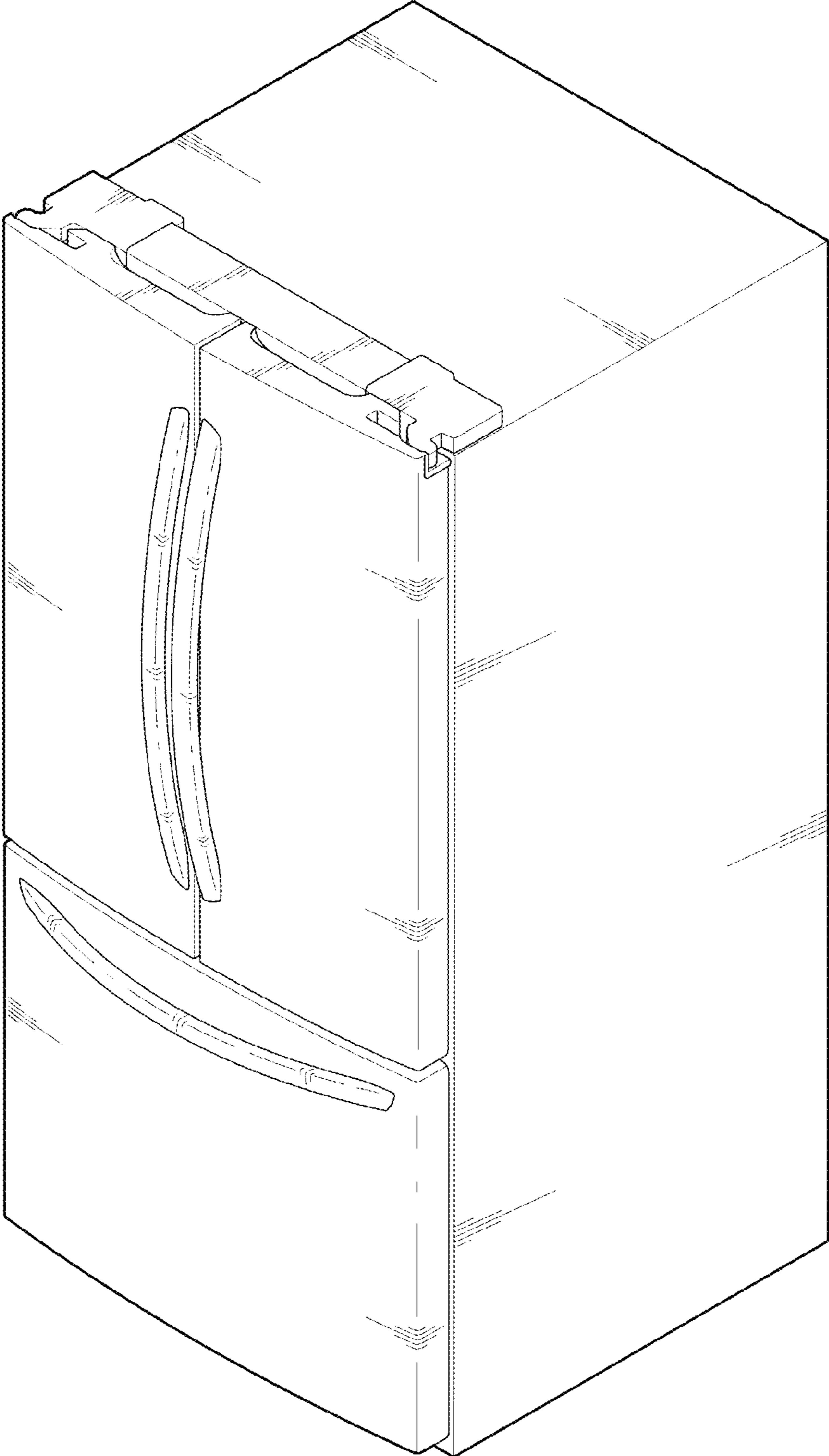


FIG. 2

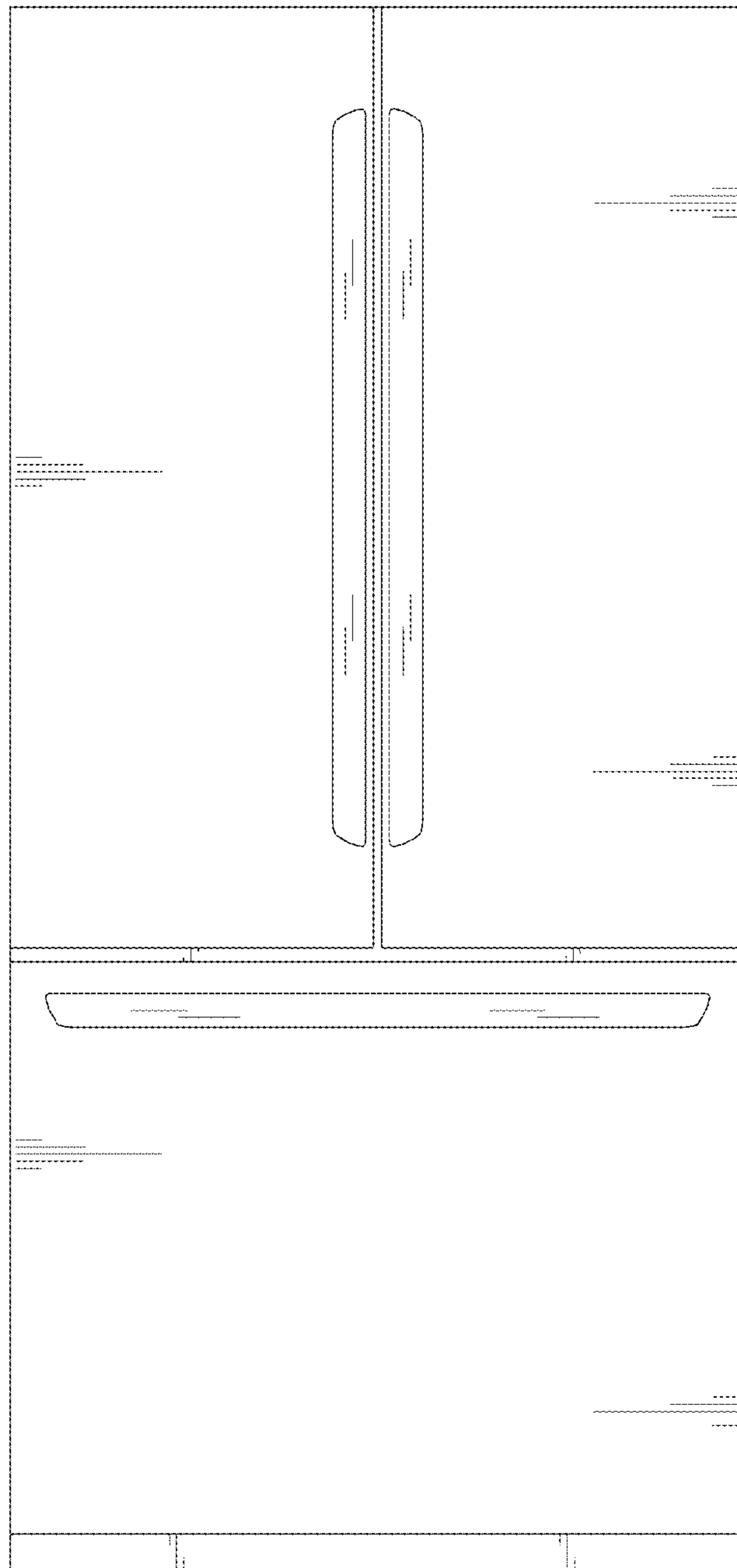


FIG. 3

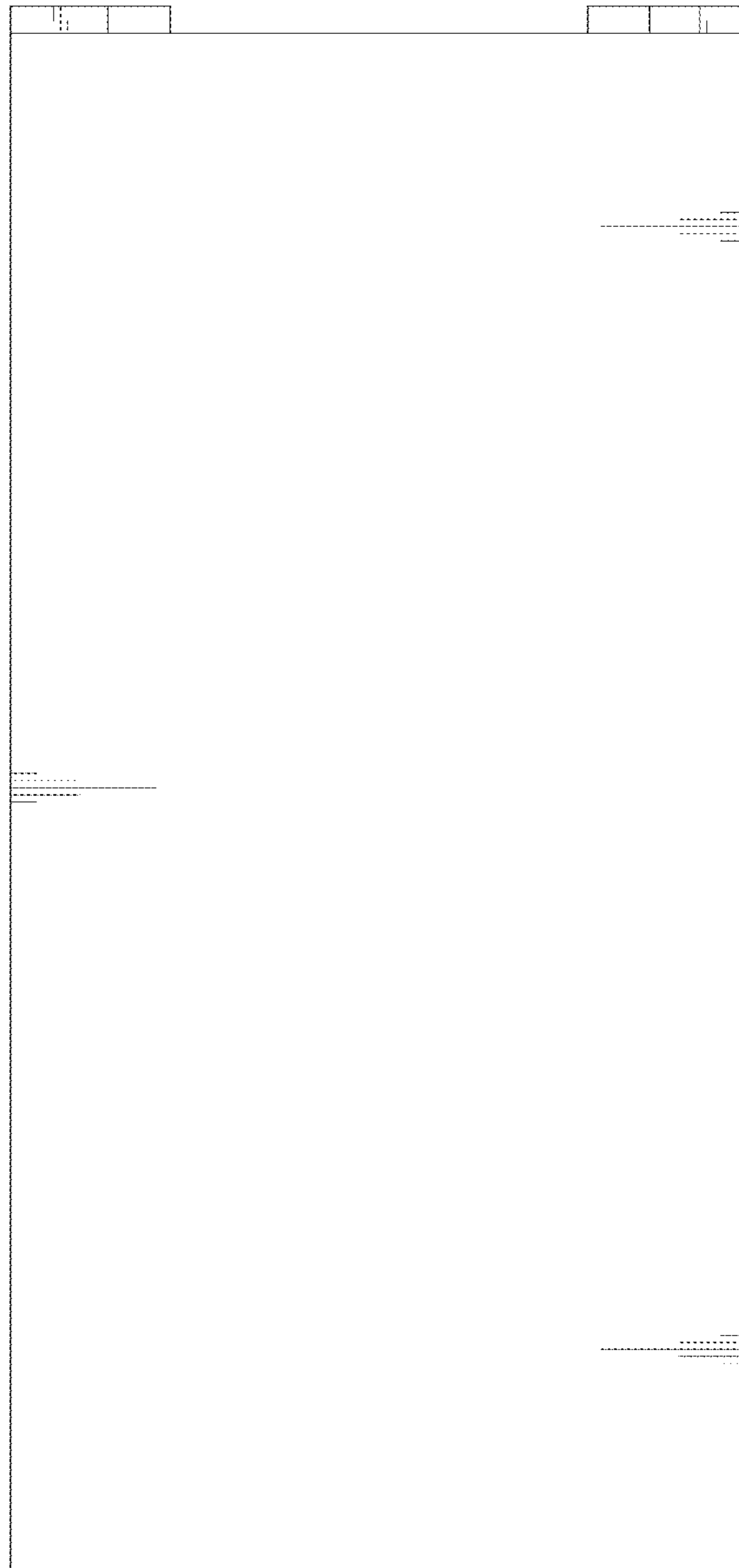


FIG. 4

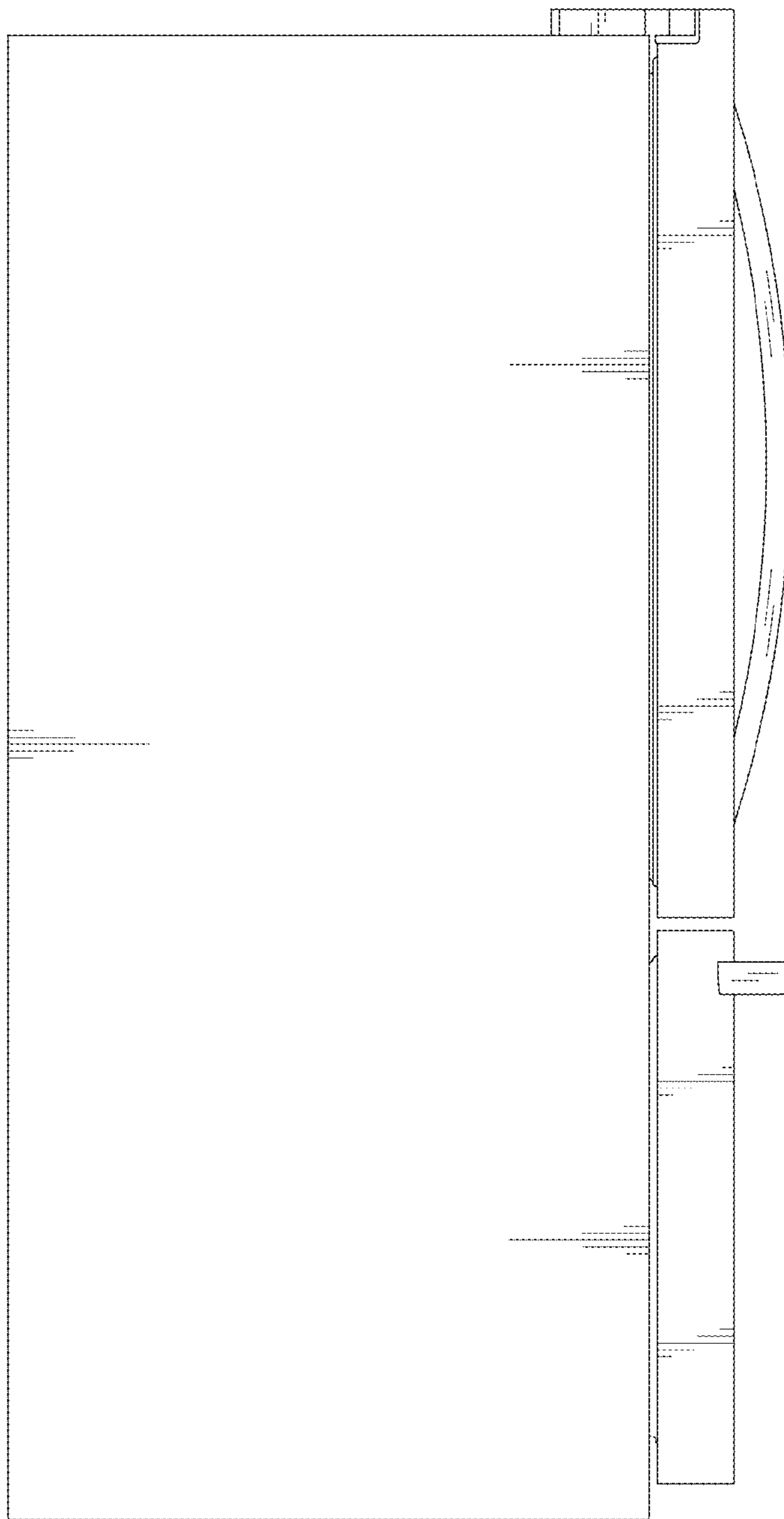


FIG. 5

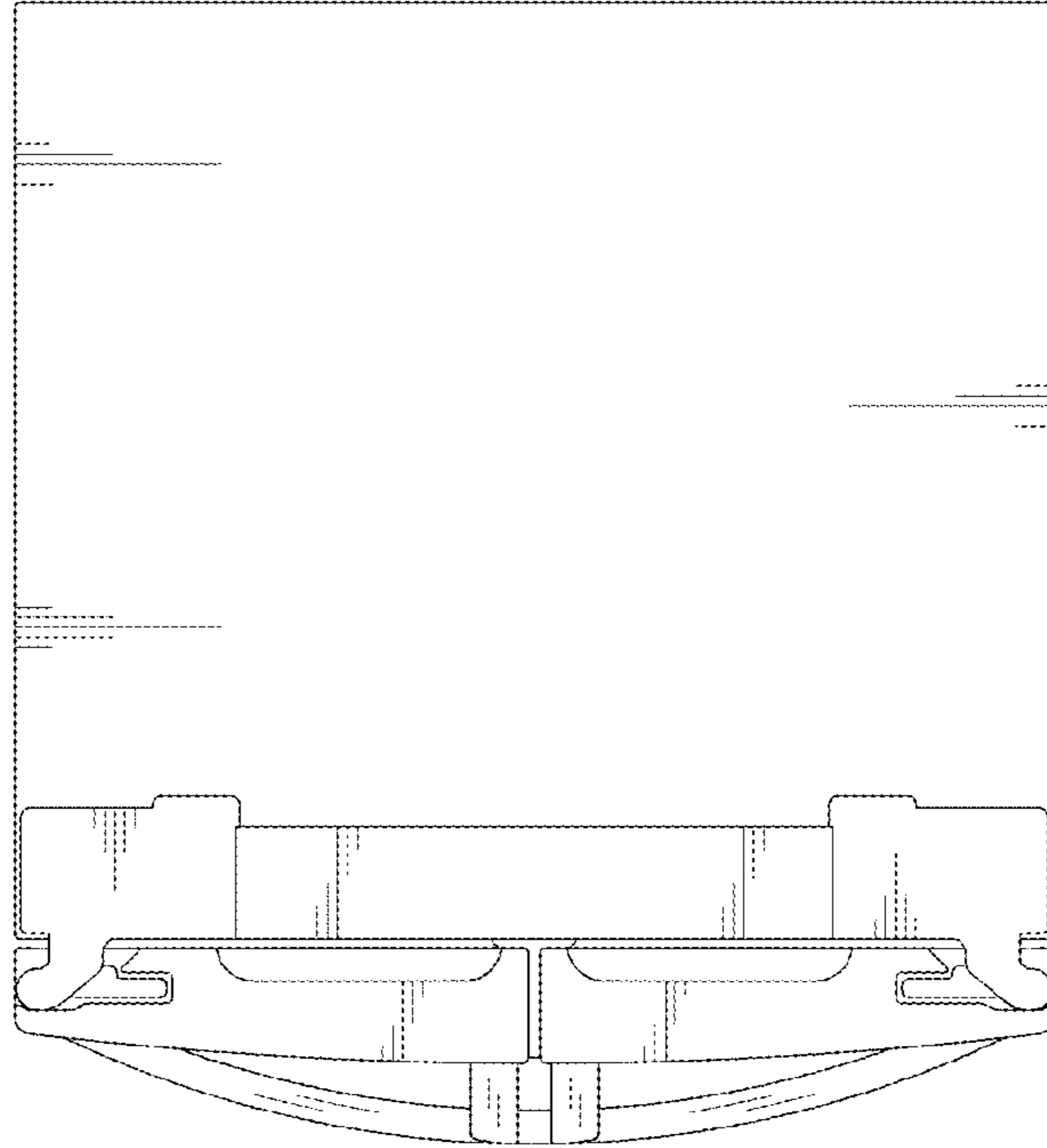


FIG. 6

