



US00D726232S

(12) **United States Design Patent**
Cappelli et al.

(10) **Patent No.:** **US D726,232 S**
(45) **Date of Patent:** **** Apr. 7, 2015**

(54) **ICE CREAM DISPENSING APPARATUS**

(71) Applicant: **Conopco, Inc.**, Englewood Cliffs, NJ
(US)

(72) Inventors: **Stefano Cappelli**, Perugia (IT); **Varkey Berty Jacob**, Bedford (GB)

(73) Assignee: **Conopco, Inc.**, Englewood Cliffs, NJ
(US)

(**) Term: **14 Years**

(21) Appl. No.: **29/481,463**

(22) Filed: **Feb. 6, 2014**

(30) **Foreign Application Priority Data**

Aug. 7, 2013 (EM) 002287938-0001

(51) **LOC (10) Cl.** **15-07**

(52) **U.S. Cl.**
USPC **D15/82**

(58) **Field of Classification Search**
USPC D15/82; D7/307-308, 369-371; 62/76,
62/305, 309, 342-345, 374, 376;
222/129.1, 311; 362/231, 244, 289,
362/144; 312/400-408
See application file for complete search history.

(56) **References Cited**

U.S. PATENT DOCUMENTS

D30,534 S 4/1899 Rosenberg
D40,381 S * 11/1909 Bunnell D15/82
D49,169 S 2/1916 Wood
D154,291 S 6/1949 Levin
D184,325 S 1/1959 Wash et al.
D186,725 S 11/1959 Kelley
D205,826 S 9/1966 Reichow et al.
D217,650 S 5/1970 Lofgren
D285,082 S * 8/1986 Verkler D15/82
D297,898 S 10/1988 Hung
4,910,973 A 3/1990 Osrow et al.

D307,754 S * 5/1990 Osrow et al. D15/82
D317,545 S 6/1991 Lambert et al.
D372,625 S 8/1996 Forsen
D378,215 S * 2/1997 Gander D15/82
D413,611 S * 9/1999 Wells D15/82
D461,991 S 8/2002 Cunha et al.
D466,138 S * 11/2002 Baldonado et al. D15/82
D485,566 S * 1/2004 Ledingham et al. D15/82
D505,823 S 6/2005 Turner
6,964,355 B2 11/2005 Landau
D562,079 S 2/2008 Ben Shlomo et al.
D569,163 S 5/2008 Gu
D616,707 S 6/2010 Gold et al.
D651,619 S * 1/2012 Salin D15/82
D667,675 S 9/2012 Bouwknecht et al.
D671,568 S * 11/2012 Pelayo et al. D15/82
D671,963 S * 12/2012 Pelayo et al. D15/82
D685,399 S * 7/2013 Pelayo et al. D15/82

* cited by examiner

Primary Examiner — Mitchell Siegel

(74) *Attorney, Agent, or Firm* — Gerard J. McGowan, Jr.

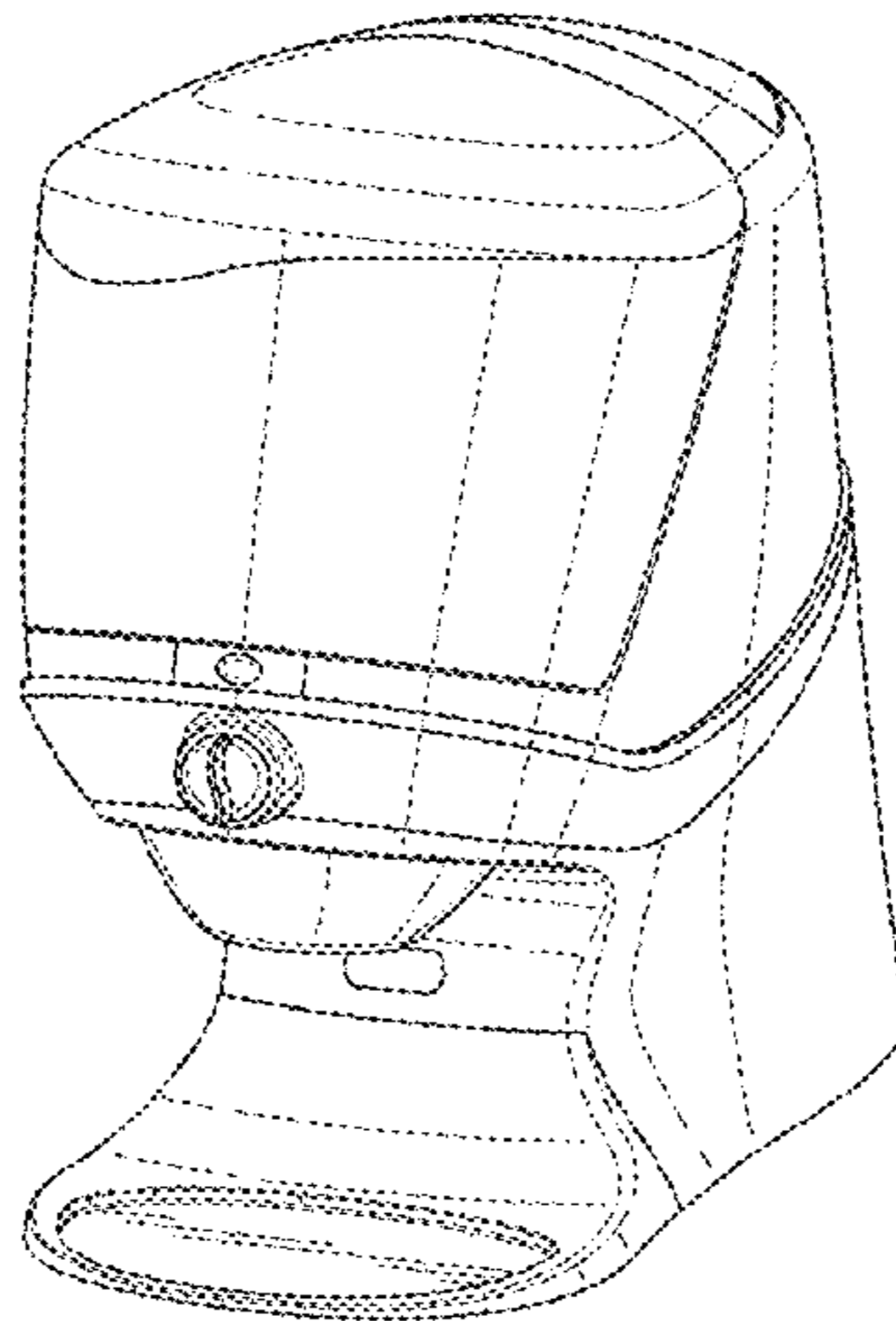
(57) **CLAIM**

An ornamental design for an ice cream dispensing apparatus,
as shown and described.

DESCRIPTION

FIG. 1 is a perspective view of an ice cream dispenser in accordance with our new design,
FIG. 2 is a front view of an ice cream dispenser in accordance with our new design,
FIG. 3 is a rear view of an ice cream dispenser in accordance with our new design,
FIG. 4 is a left side view of an ice cream dispenser in accordance with our new design,
FIG. 5 is a right side view of an ice cream dispenser in accordance with our new design,
FIG. 6 is a top view of an ice cream dispenser in accordance with our new design; and,
FIG. 7 is an underneath view of an ice cream dispenser in accordance with our new design.

1 Claim, 7 Drawing Sheets



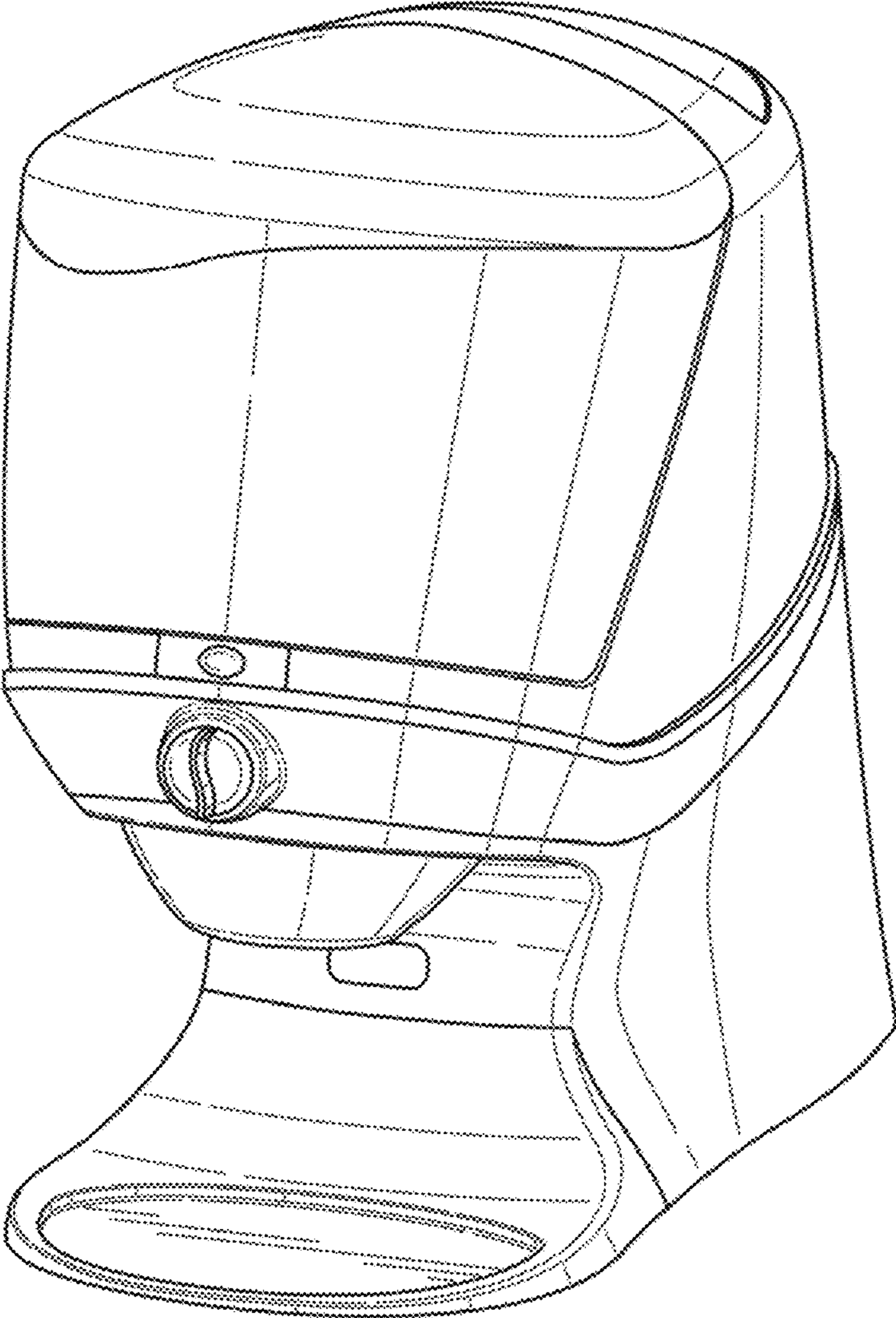


Fig. 1

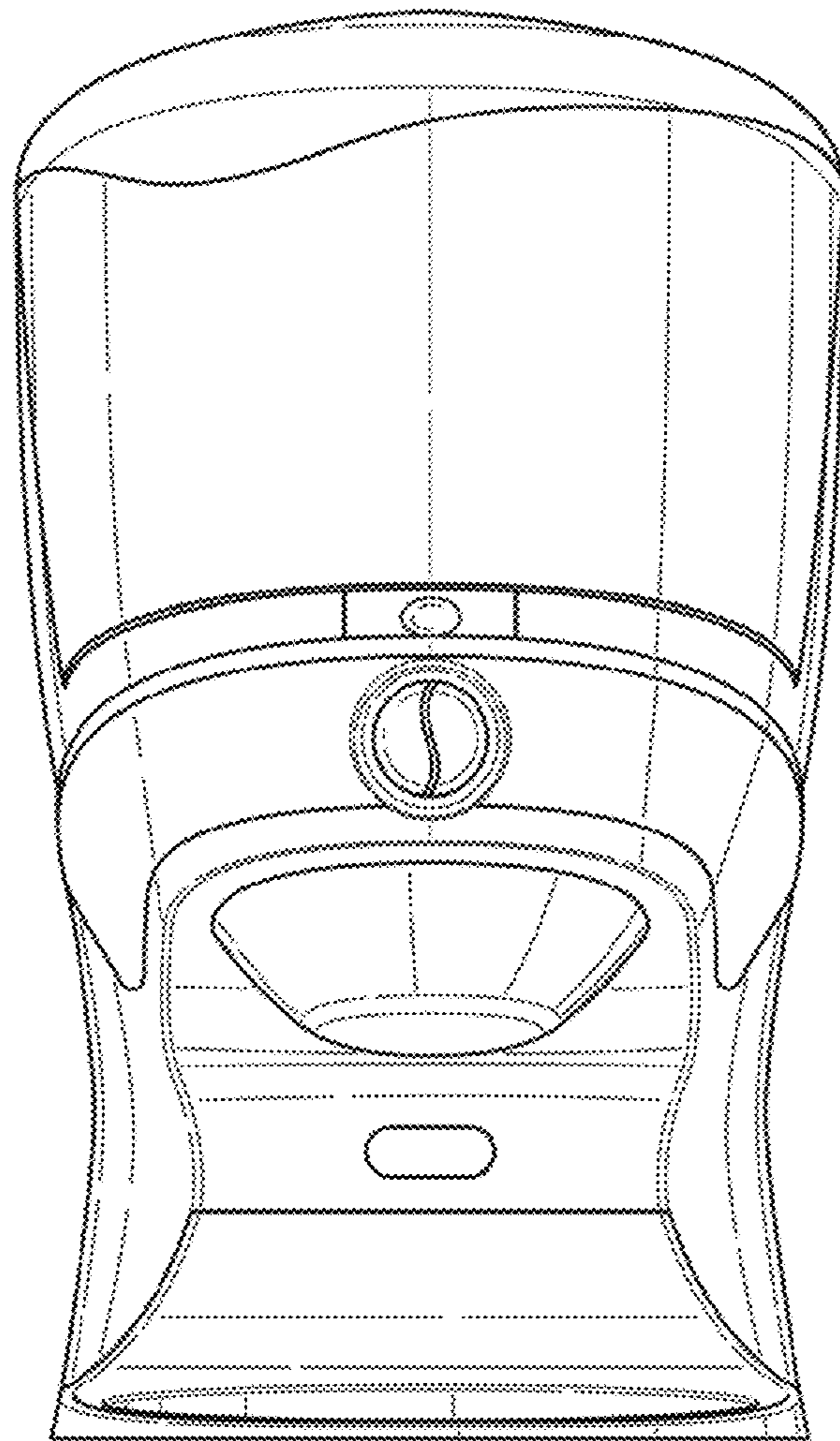


Fig. 2

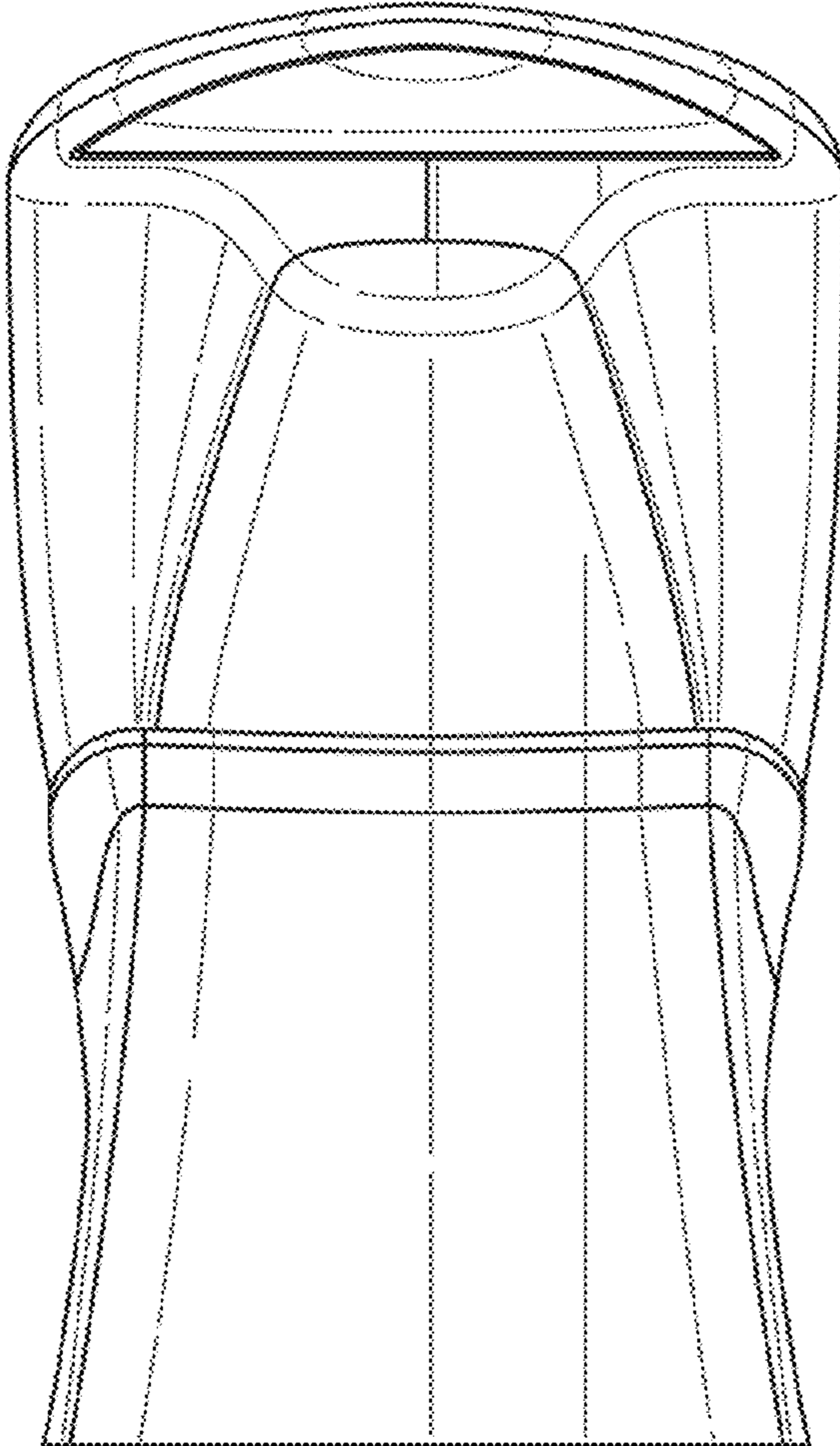


Fig. 3

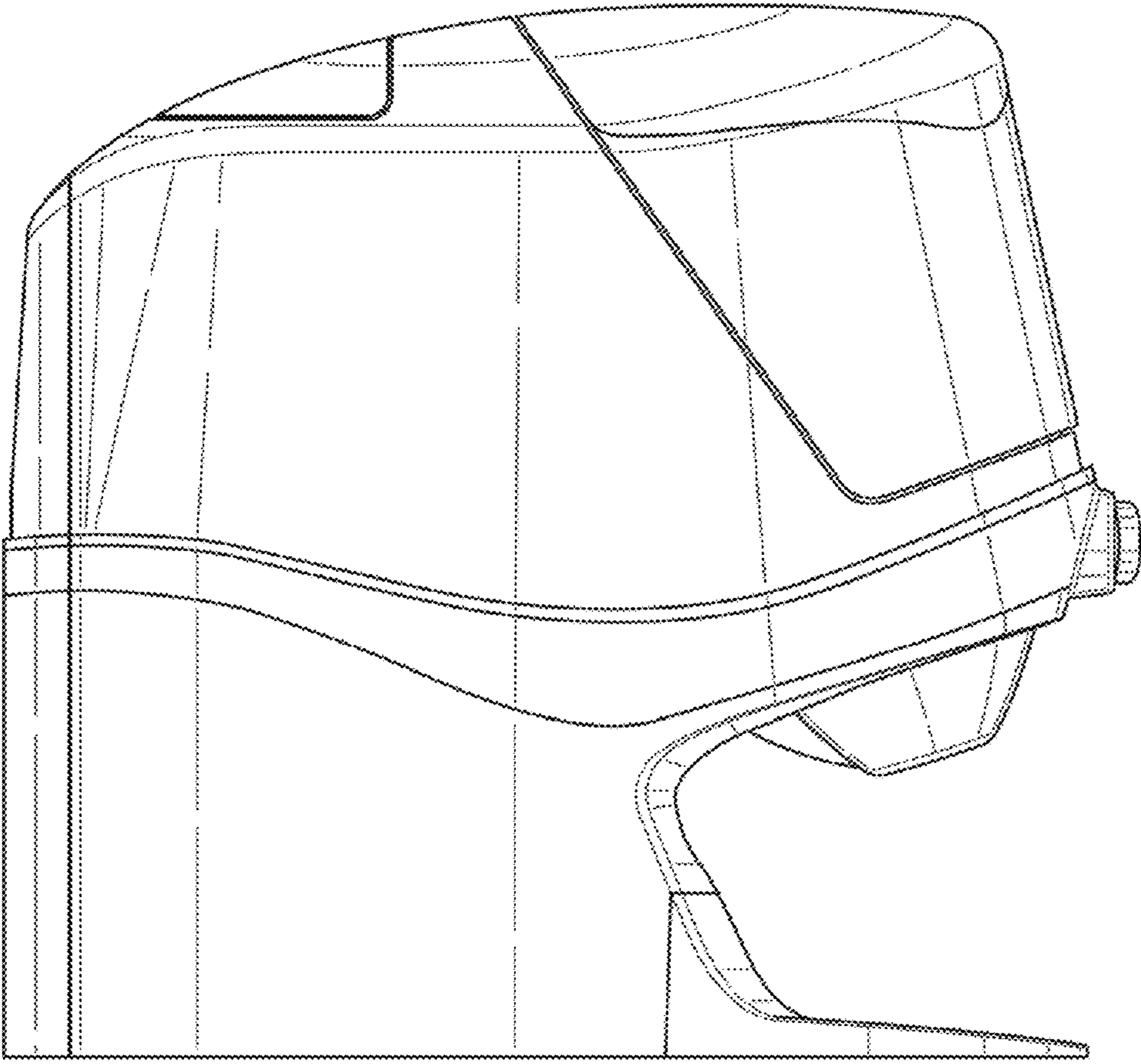


Fig. 4

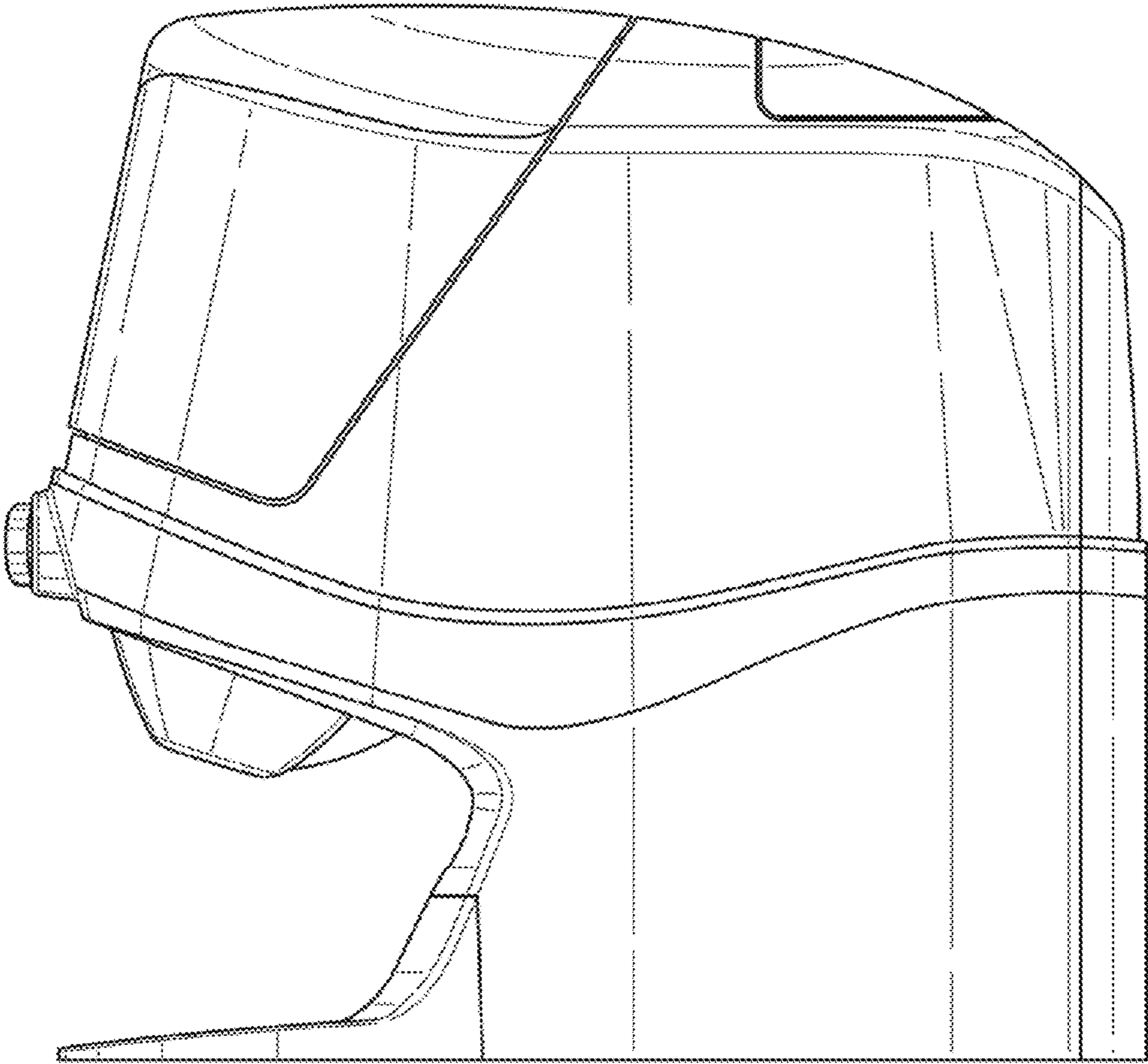


Fig. 5

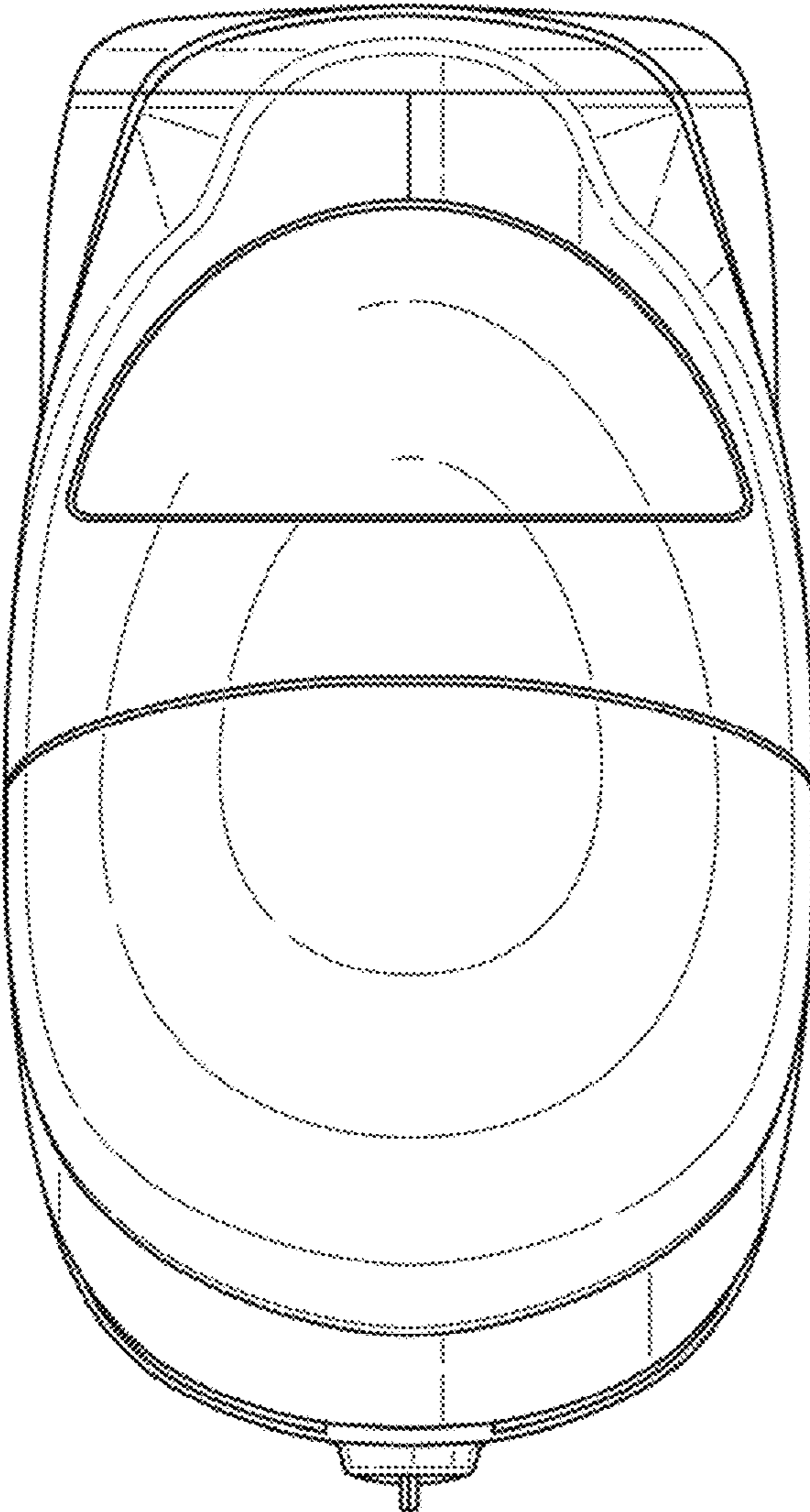


Fig. 6

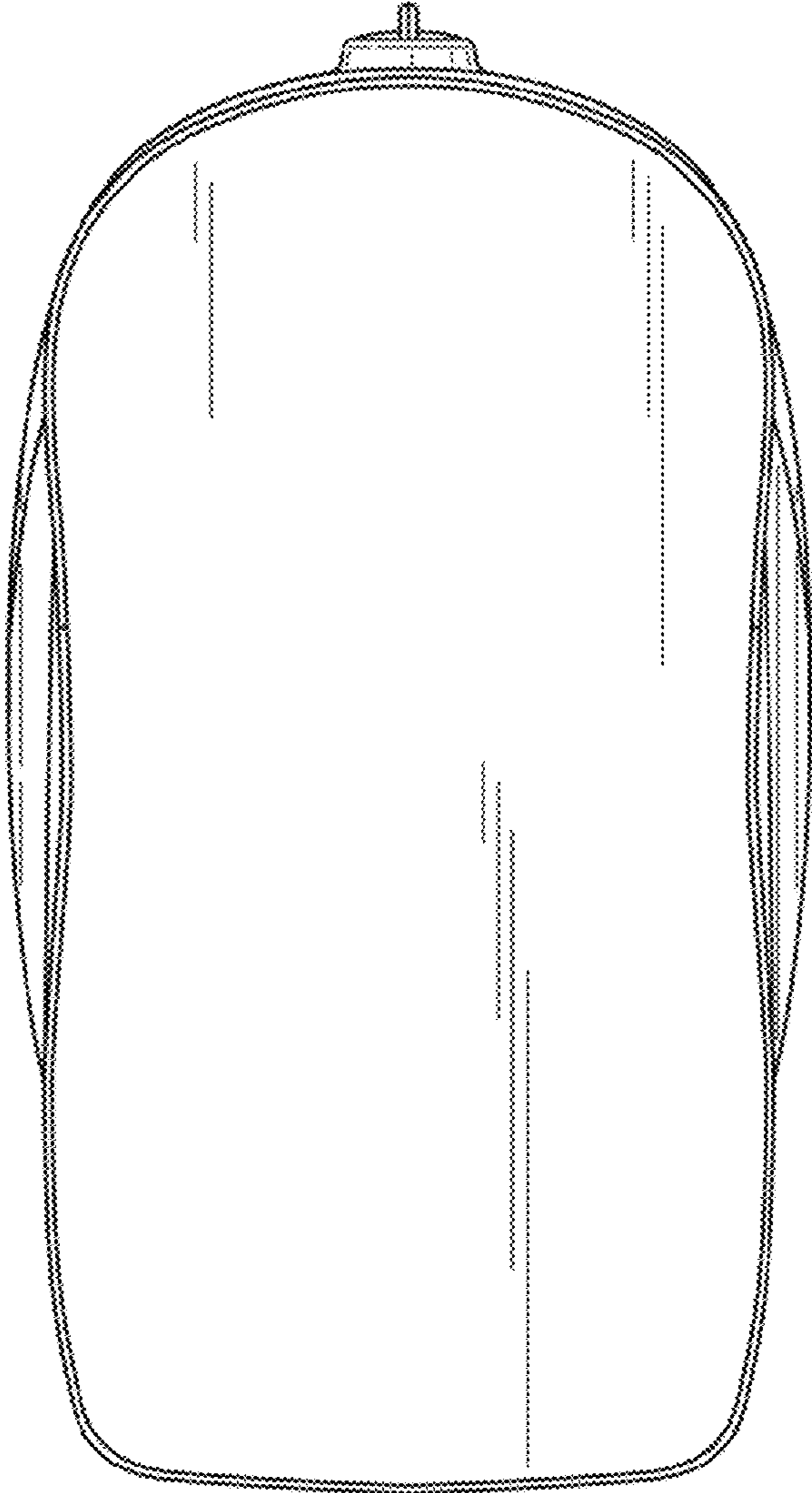


Fig. 7