



US00D726229S

(12) **United States Design Patent**
Turner et al.

(10) **Patent No.:** **US D726,229 S**
(45) **Date of Patent:** **** Apr. 7, 2015**

(54) **COUNTERWEIGHT FOR WHEELED
LOADING SHOVEL VEHICLE**

- (71) Applicant: **J.C. Bamford Excavators Limited,**
Uttoxeter (GB)
- (72) Inventors: **Michael Turner,** Uttoxeter (GB); **Toby Mellor,** Uttoxeter (GB); **Jason Burgess,** Uttoxeter (GB); **Simon Davies,** Uttoxeter (GB); **Stuart Jones,** Uttoxeter (GB); **Juan Carlos Ramires,** Uttoxeter (GB); **John Boughton,** Uttoxeter (GB)
- (73) Assignee: **J.C. Bamford Excavators Limited,**
Uttoxeter (GB)

(**) Term: **14 Years**

(21) Appl. No.: **29/496,160**

(22) Filed: **Jul. 10, 2014**

(30) **Foreign Application Priority Data**

Jan. 10, 2014 (EM) 001399273

(51) **LOC (10) Cl.** **15-03**

(52) **U.S. Cl.**
USPC **D15/28**

(58) **Field of Classification Search**
USPC D15/10, 22-29, 30, 33, 31; 296/193.03,
296/193.08; 172/611, 776; 180/69.24, 89.1,
180/89.12, 89.13, 900, 326; 37/443, 379;
414/601, 602, 685, 687, 688, 694,
414/722-724, 699, 680, 698, 719, 743

See application file for complete search history.

(56) **References Cited**

U.S. PATENT DOCUMENTS

D559,279 S *	1/2008	Sakitani et al.	D15/28
D579,465 S *	10/2008	Ochi et al.	D15/28
D582,947 S *	12/2008	Ueta et al.	D15/28
D587,285 S *	2/2009	Murakami et al.	D15/28
D678,358 S *	3/2013	Hiraoka et al.	D15/28
D678,359 S *	3/2013	Hagura et al.	D15/28
D680,136 S *	4/2013	Tsukamoto et al.	D15/28

* cited by examiner

Primary Examiner — Mark Goodwin

(74) *Attorney, Agent, or Firm* — Marshall, Gerstein & Borun
LLP

(57) **CLAIM**

The ornamental design for a counterweight for a wheeled loading shovel vehicle, as shown and described.

DESCRIPTION

FIG. 1 is a front, right side, and top perspective view of a counterweight for a wheeled loading shovel vehicle showing our new design.

FIG. 2 is a top plan view thereof.

FIG. 3 is a front elevation view thereof.

FIG. 4 is an enlarged left side elevation view thereof.

FIG. 5 is an enlarged right side elevation view thereof.

FIG. 6 is a bottom plan view thereof.

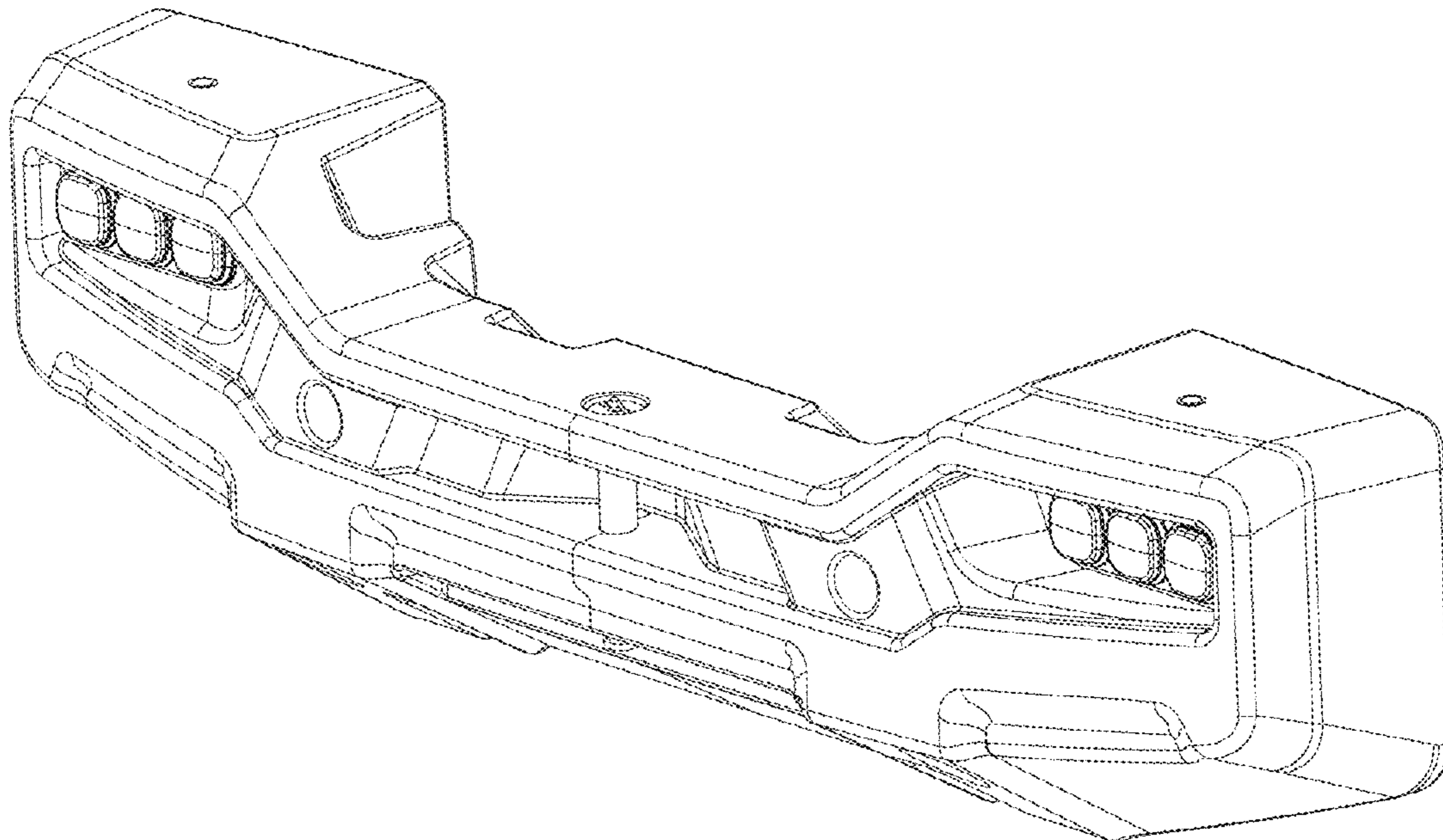
FIG. 7 is a back elevation view thereof.

FIG. 8 is a front, left side, and top perspective view thereof.

FIG. 9 is a back, right side, and top perspective view thereof; and,

FIG. 10 is a back, left side, and top perspective view thereof.

1 Claim, 4 Drawing Sheets



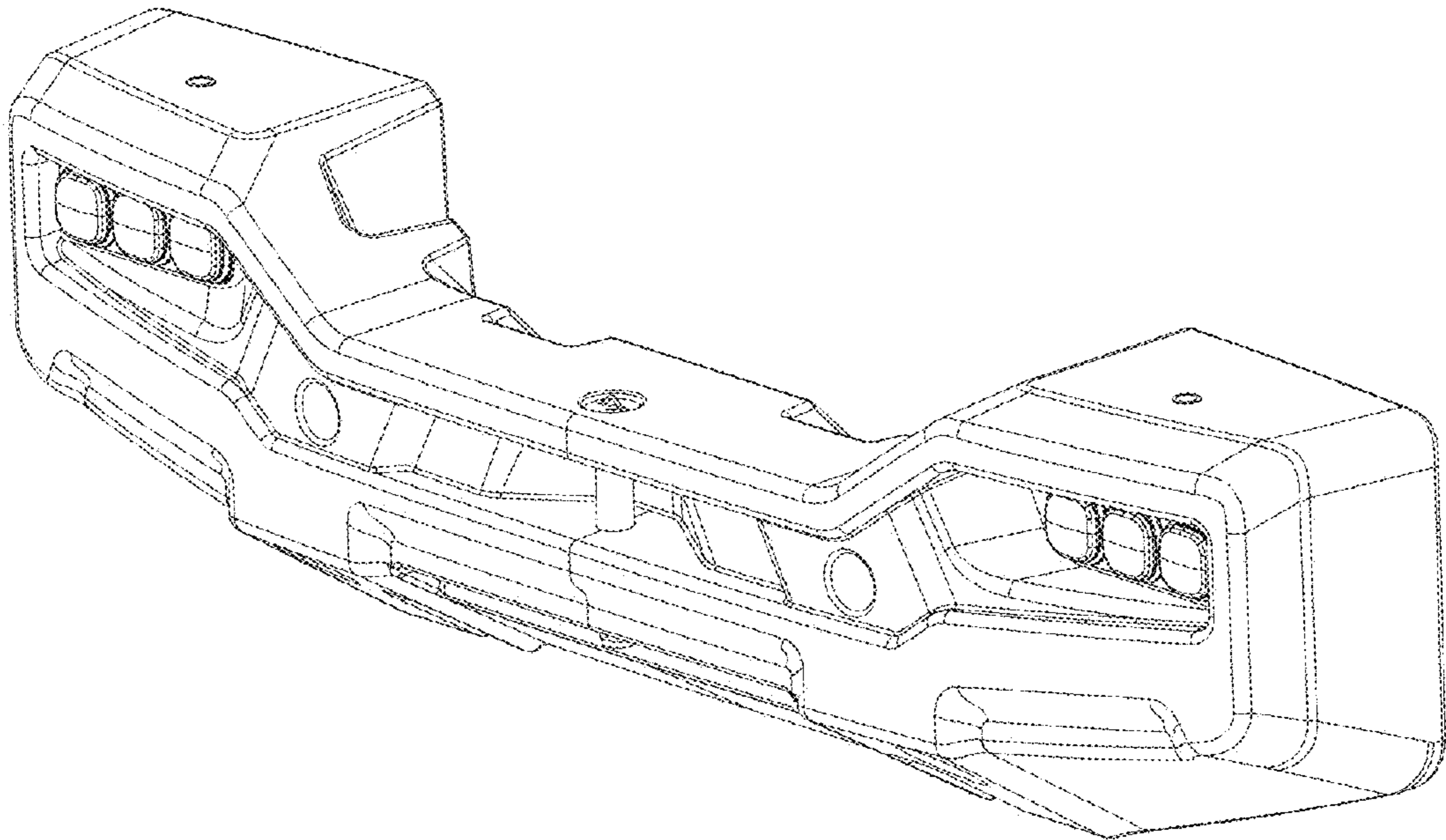


Fig. 1

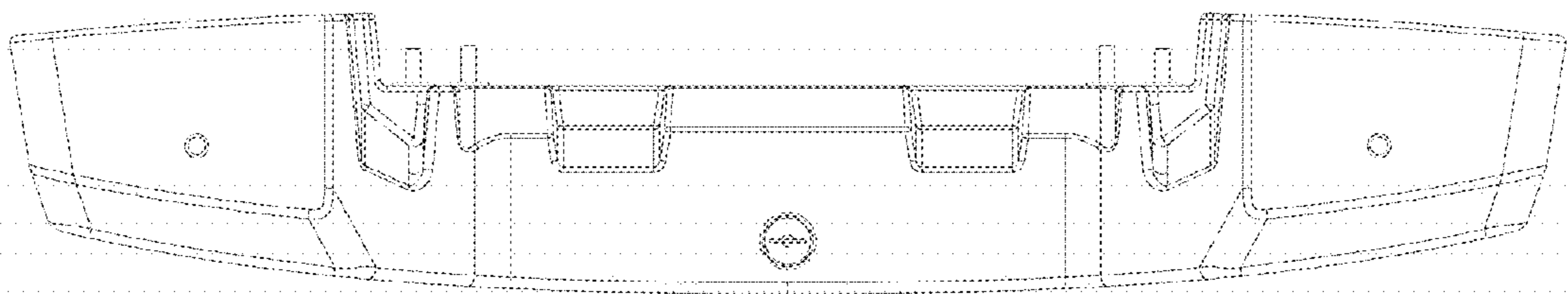


Fig. 2

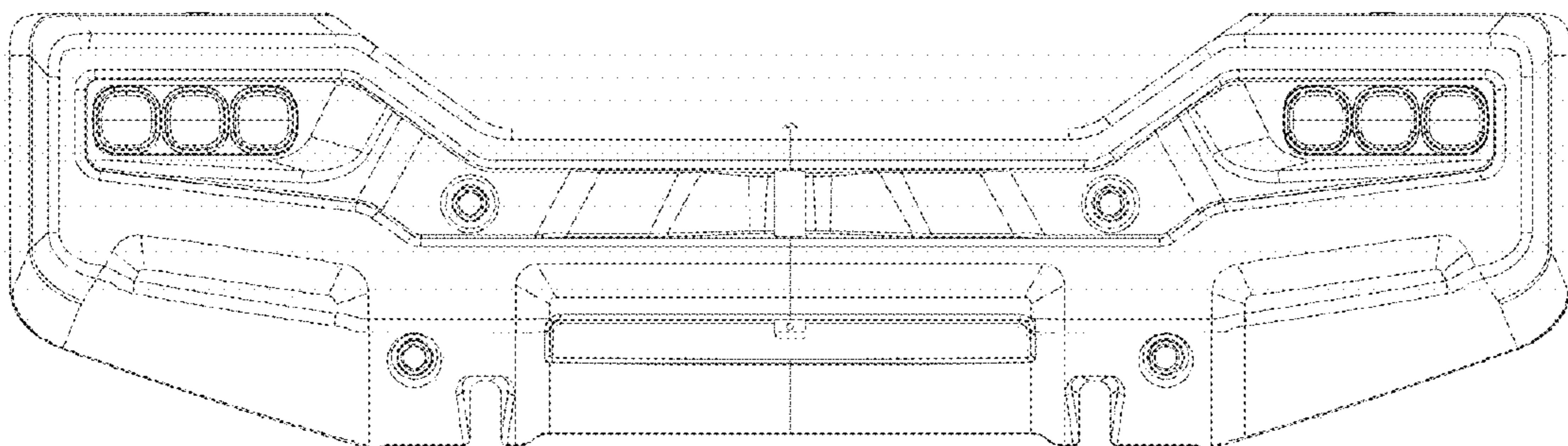


Fig. 3

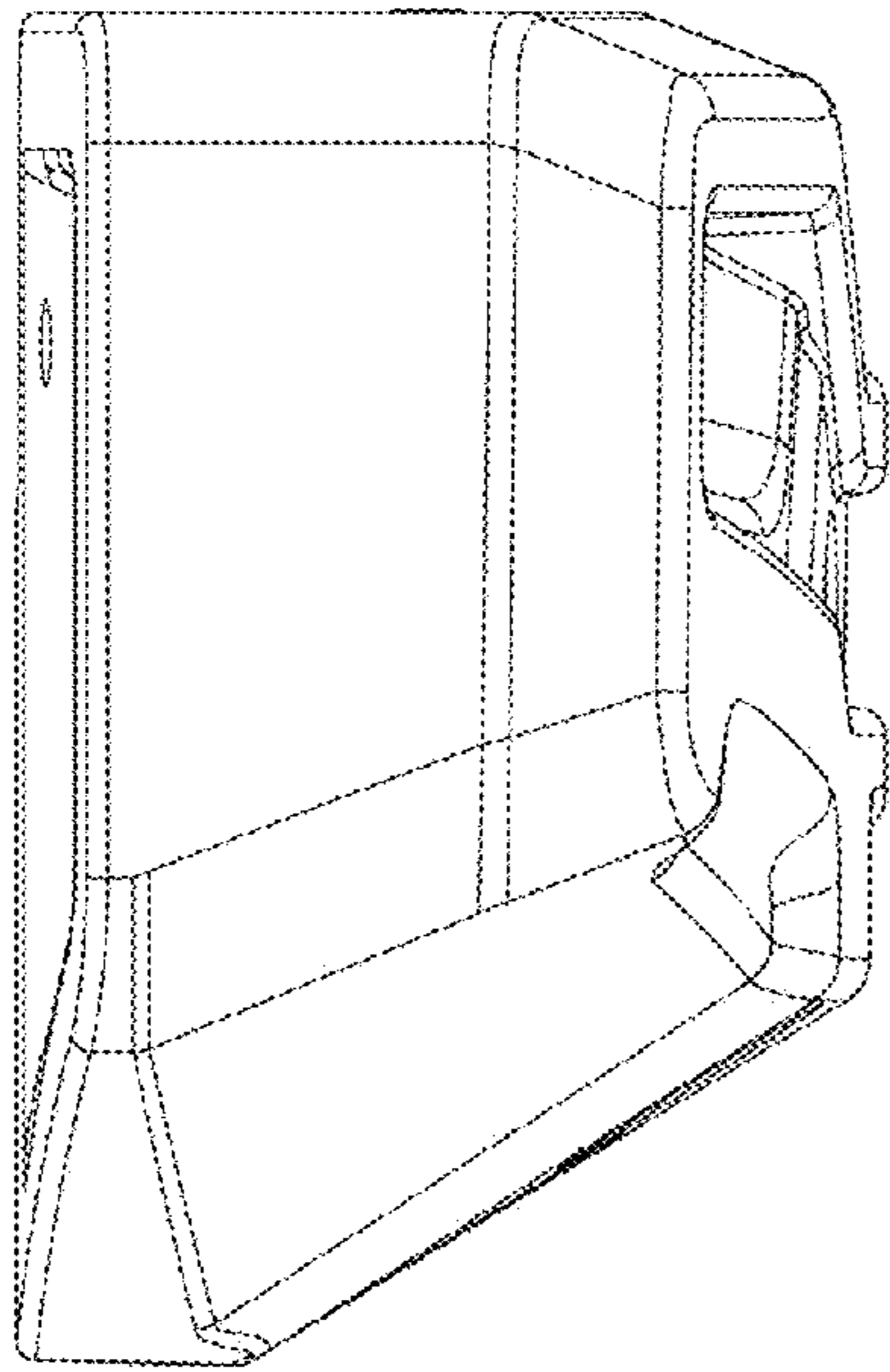


Fig. 4

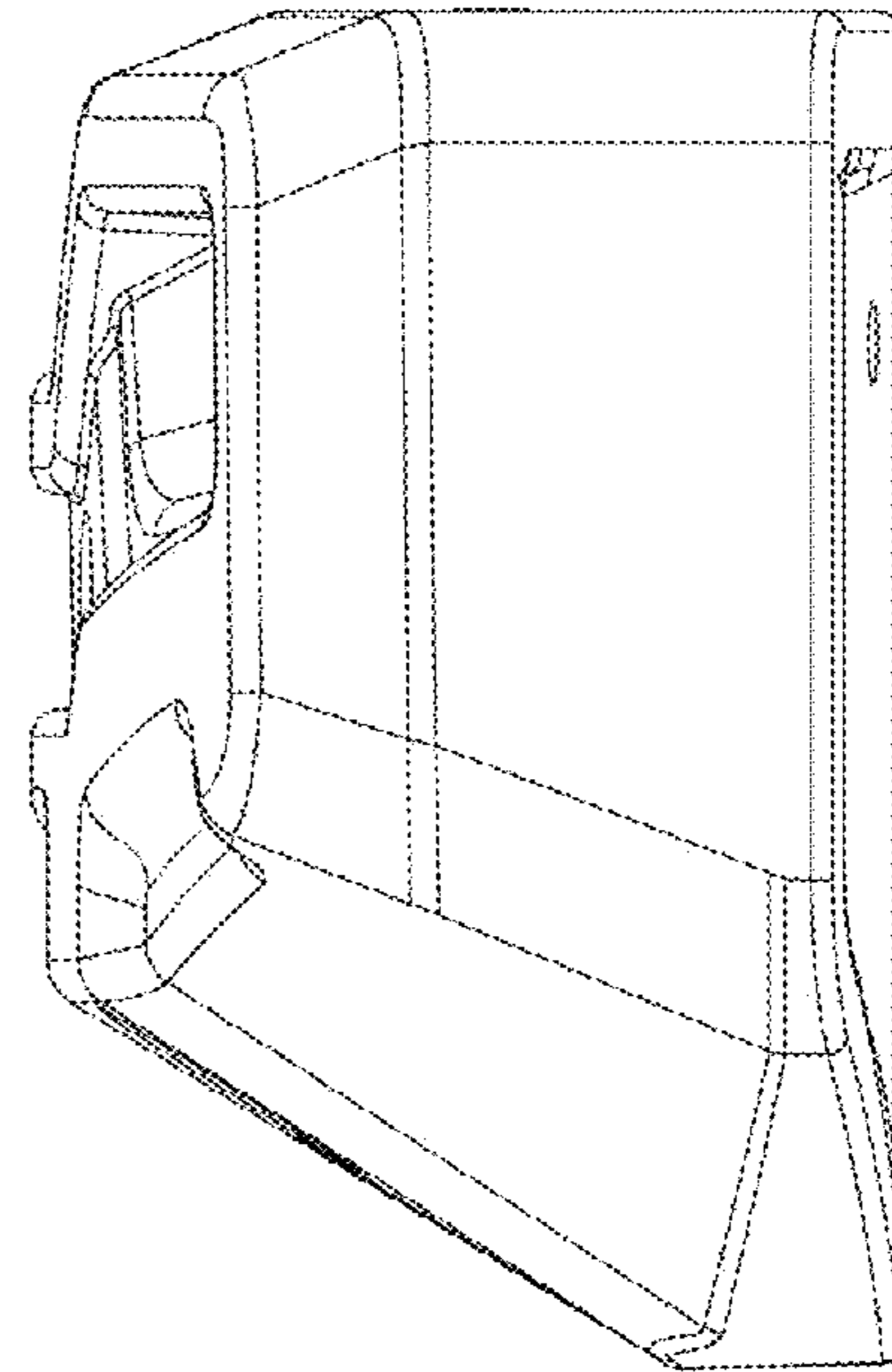


Fig. 5

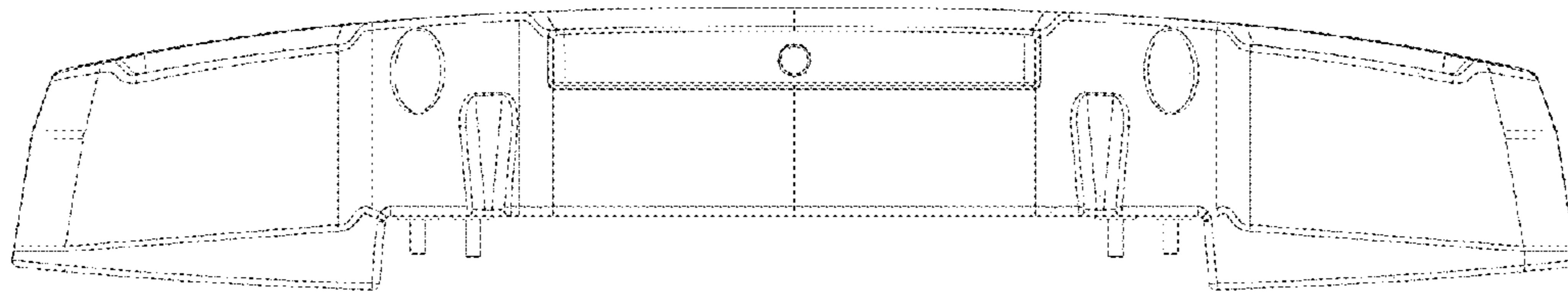


Fig. 6

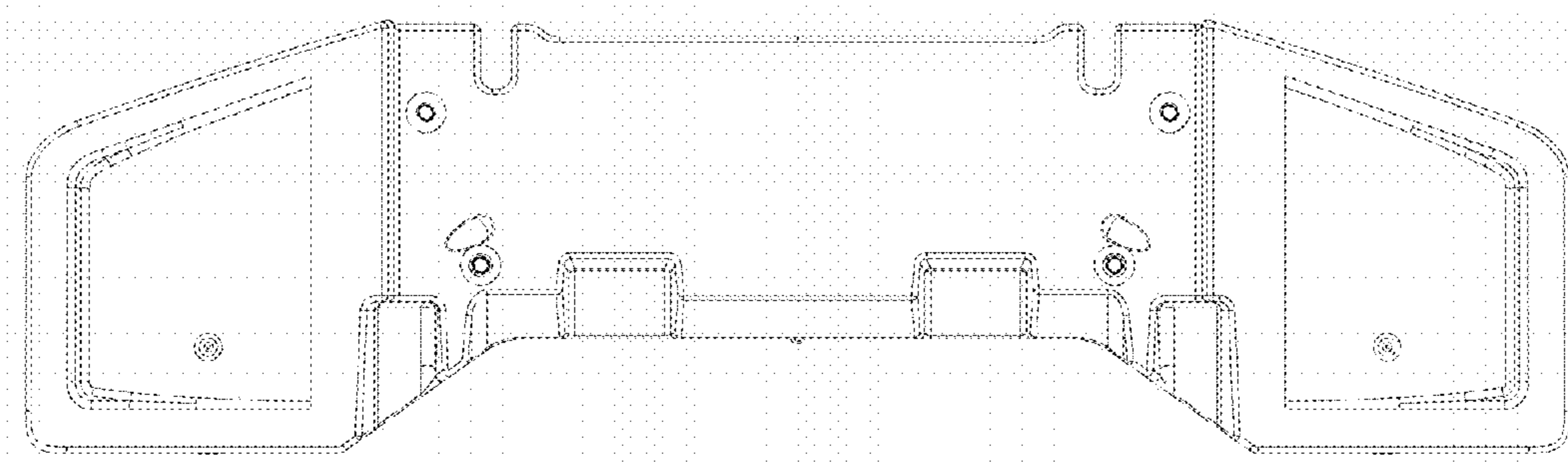


Fig. 7

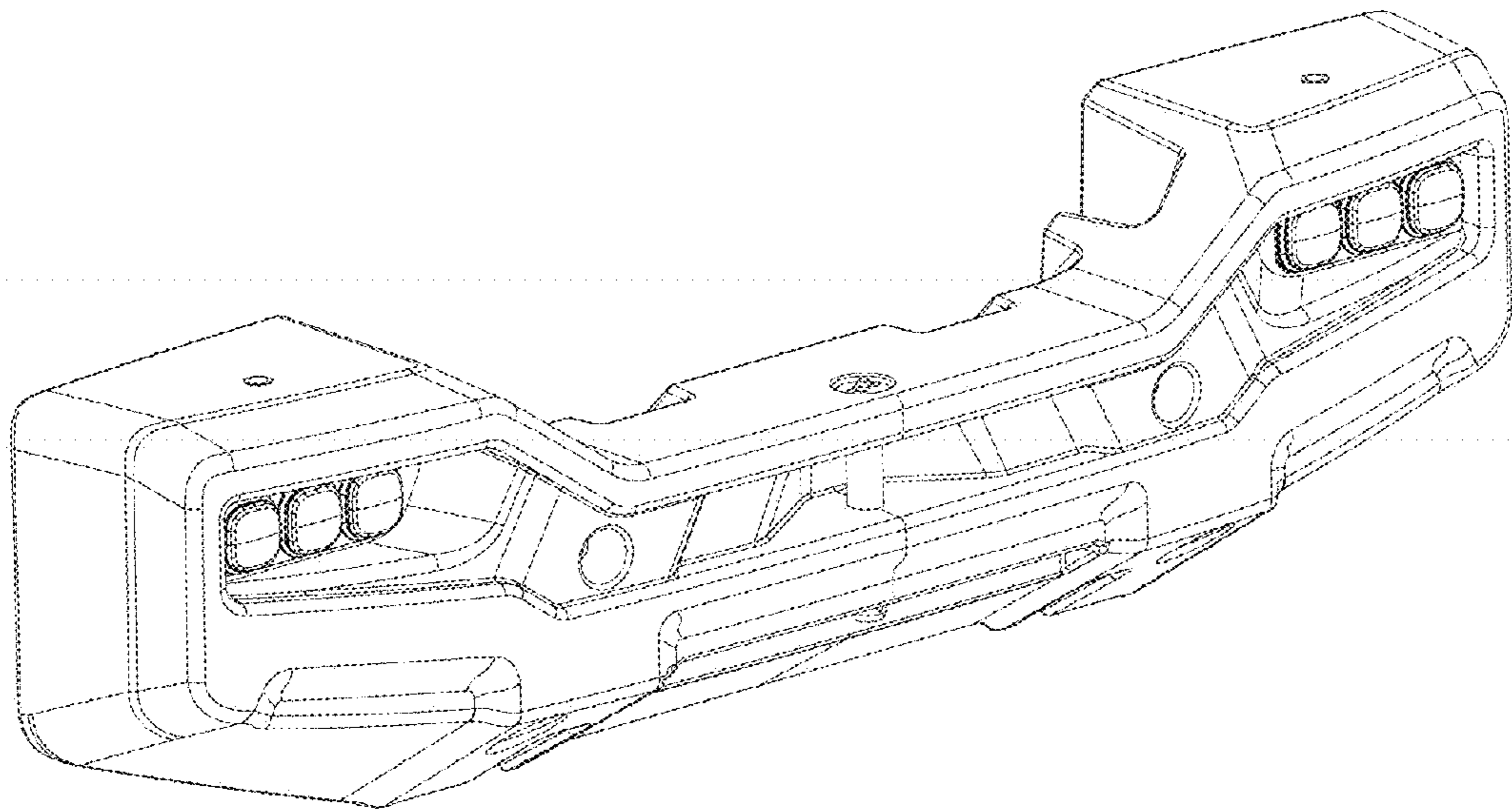


Fig. 8

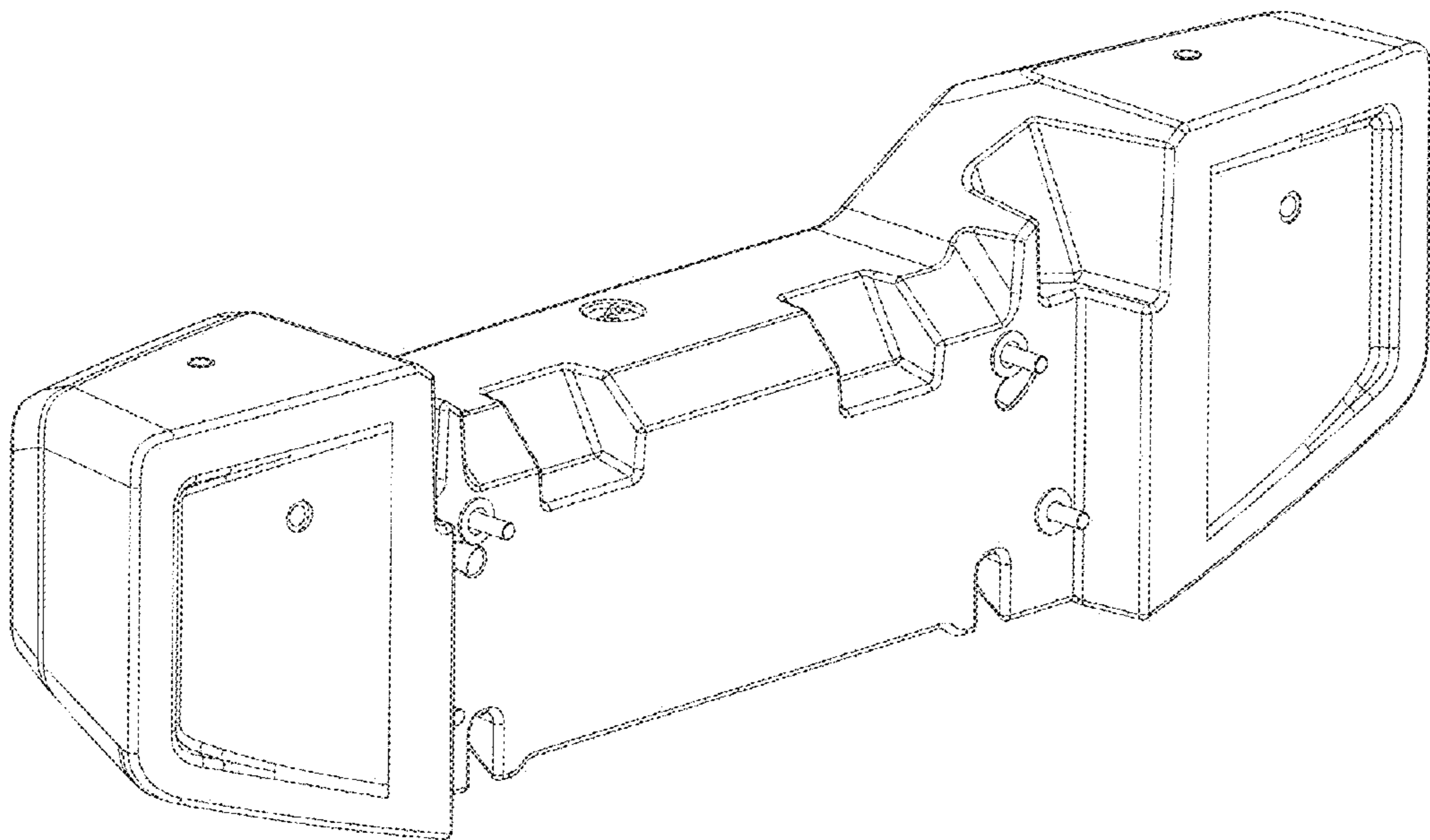


Fig. 9

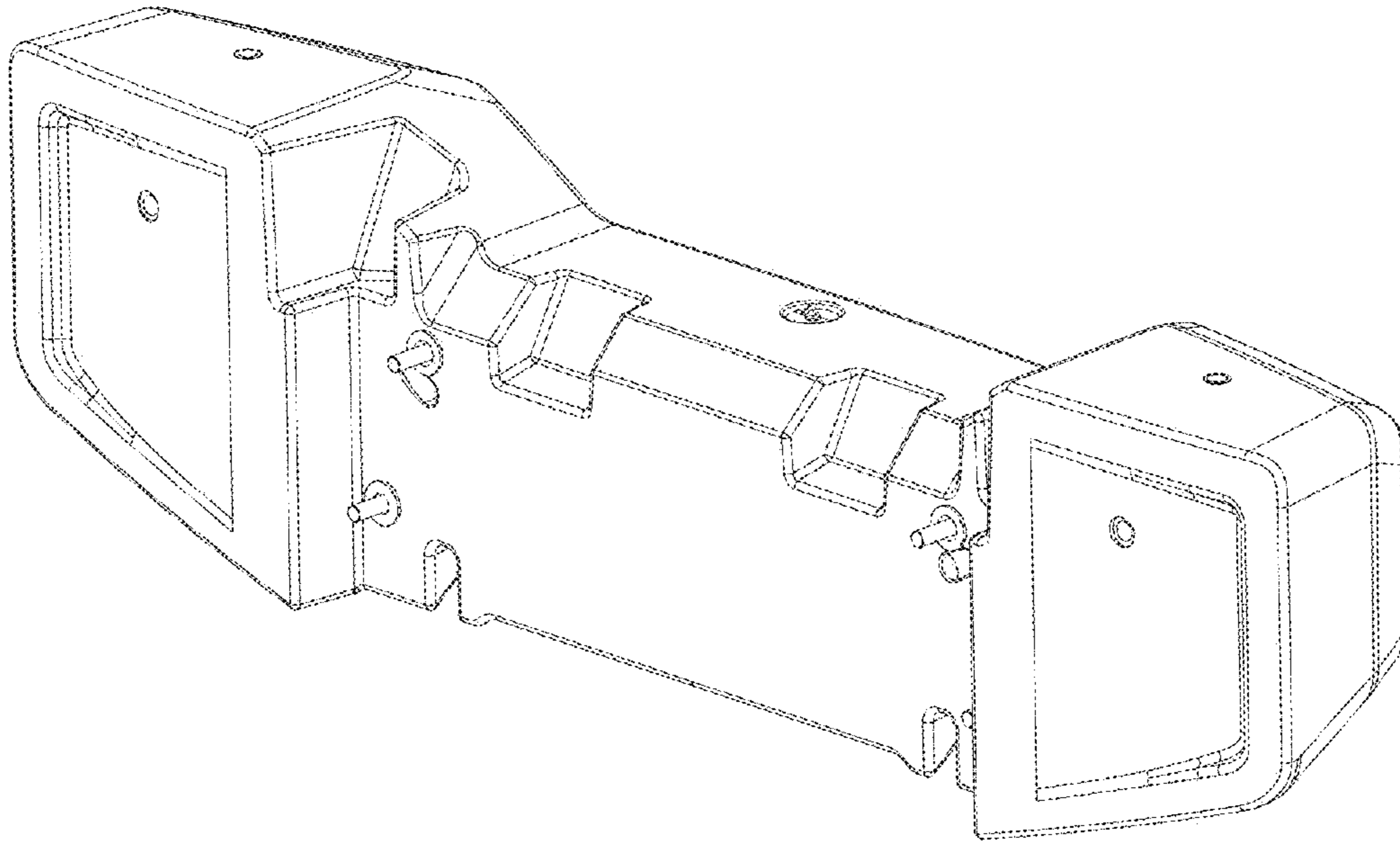


Fig. 10