



US00D726227S

(12) **United States Design Patent**
Aglassinger

(10) **Patent No.:** **US D726,227 S**

(45) **Date of Patent:** **** Apr. 7, 2015**

(54) **LAWN MOWER**

(71) Applicant: **Robert Bosch GmbH**, Stuttgart (DE)

(72) Inventor: **Hans-Peter Aglassinger**, Esslingen (DE)

(73) Assignee: **Robert Bosch GmbH**, Stuttgart (DE)

(**) Term: **14 Years**

(21) Appl. No.: **29/491,108**

(22) Filed: **May 16, 2014**

(30) **Foreign Application Priority Data**

Nov. 18, 2013 (EM) 002347161

(51) **LOC (10) Cl.** **15-03**

(52) **U.S. Cl.**
USPC **D15/14**

(58) **Field of Classification Search**

USPC D15/10, 14-18; 56/12.8, 12.7, 13.4,
56/16.7, 17.5, 202, 254, 255, 294, 11.4,
56/320.1, 320.2, 249, 252, 11.9, 17.1,
56/17.4, 295; 280/43.17

See application file for complete search history.

(56) **References Cited**

U.S. PATENT DOCUMENTS

D274,250 S *	6/1984	Allen et al.	D15/14
D276,047 S *	10/1984	Sasaki	D15/14
D307,911 S *	5/1990	Miyawaki et al.	D15/14
D317,165 S *	5/1991	Schweitz et al.	D15/14
D319,447 S *	8/1991	Oshima et al.	D15/14
D330,210 S *	10/1992	Sirois et al.	D15/14
5,251,711 A *	10/1993	Meyer et al.	180/19.1
D381,665 S *	7/1997	Hinklin et al.	D15/14
D384,083 S *	9/1997	Hinklin	D15/14

5,676,117 A *	10/1997	Williams	123/527
D421,265 S *	2/2000	Ohsumi et al.	D15/14
D449,840 S *	10/2001	Concari et al.	D15/14
D450,064 S *	11/2001	Concari et al.	D15/14
D456,030 S *	4/2002	Maeda	D15/14
D461,830 S *	8/2002	Stratford et al.	D15/14
D489,734 S *	5/2004	Lin	D15/14
D497,918 S *	11/2004	Osborne et al.	D15/14
D610,167 S *	2/2010	Martin et al.	D15/14
D622,291 S *	8/2010	Martin et al.	D15/14

* cited by examiner

Primary Examiner — Mark Goodwin

(74) *Attorney, Agent, or Firm* — Maginot, Moore & Beck LLP

(57) **CLAIM**

The ornamental design for a lawn mower, as shown and described.

DESCRIPTION

FIG. 1 is a perspective view of a lawn mower showing my new design;

FIG. 2 is a left side elevational view showing the design for the lawn mower of FIG. 1;

FIG. 3 is a right side elevational view showing the design for the lawn mower of FIG. 1;

FIG. 4 is a top plan view showing the design for the lawn mower of FIG. 1;

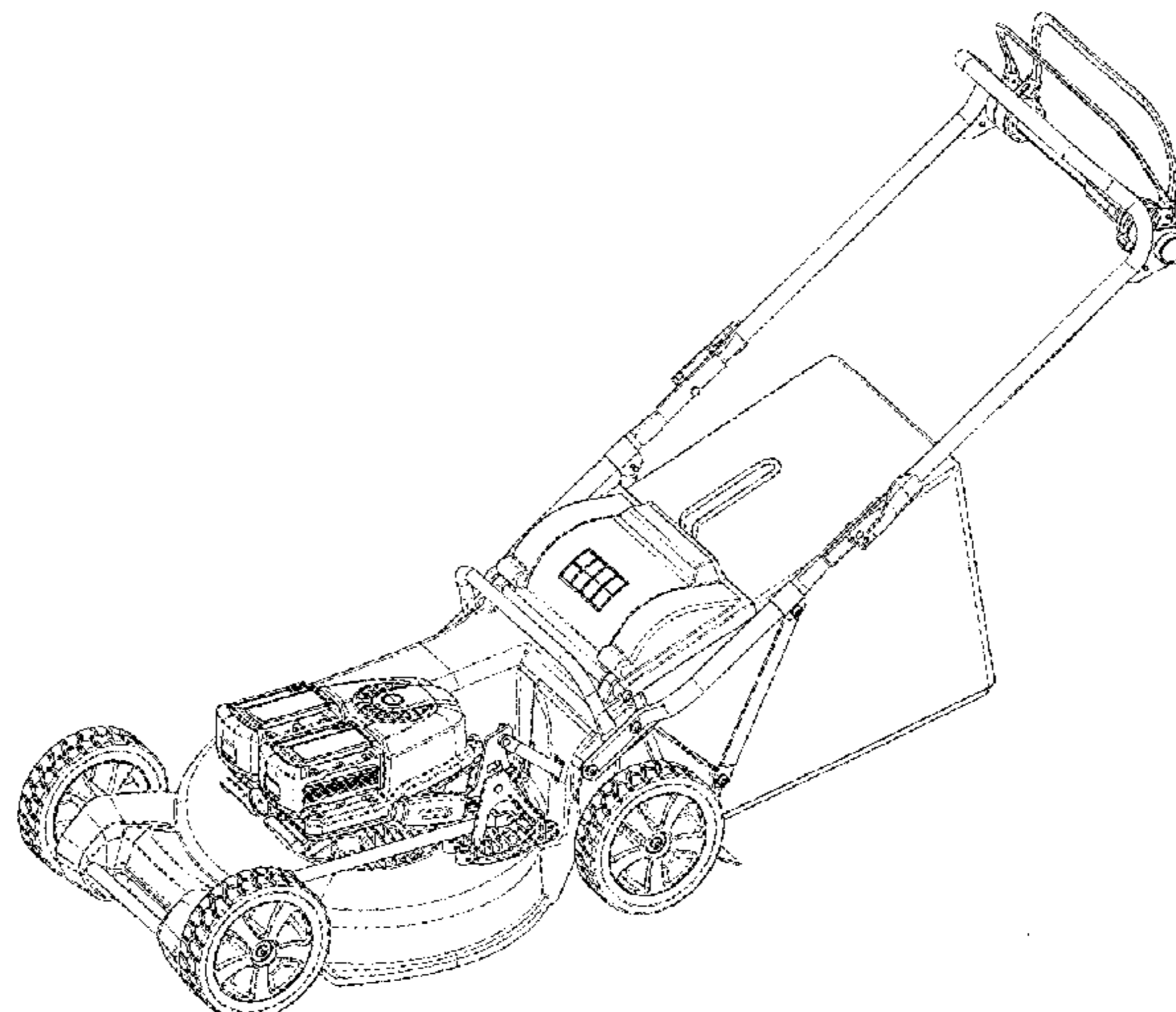
FIG. 5 is a bottom plan view showing the design for the lawn mower of FIG. 1;

FIG. 6 is a front elevational view showing the design for the lawn mower of FIG. 1; and,

FIG. 7 is a rear elevational view showing the design for the lawn mower of FIG. 1.

The broken lines shown in the drawings illustrate elements of the lawn mower that form no part of the claimed design.

1 Claim, 7 Drawing Sheets



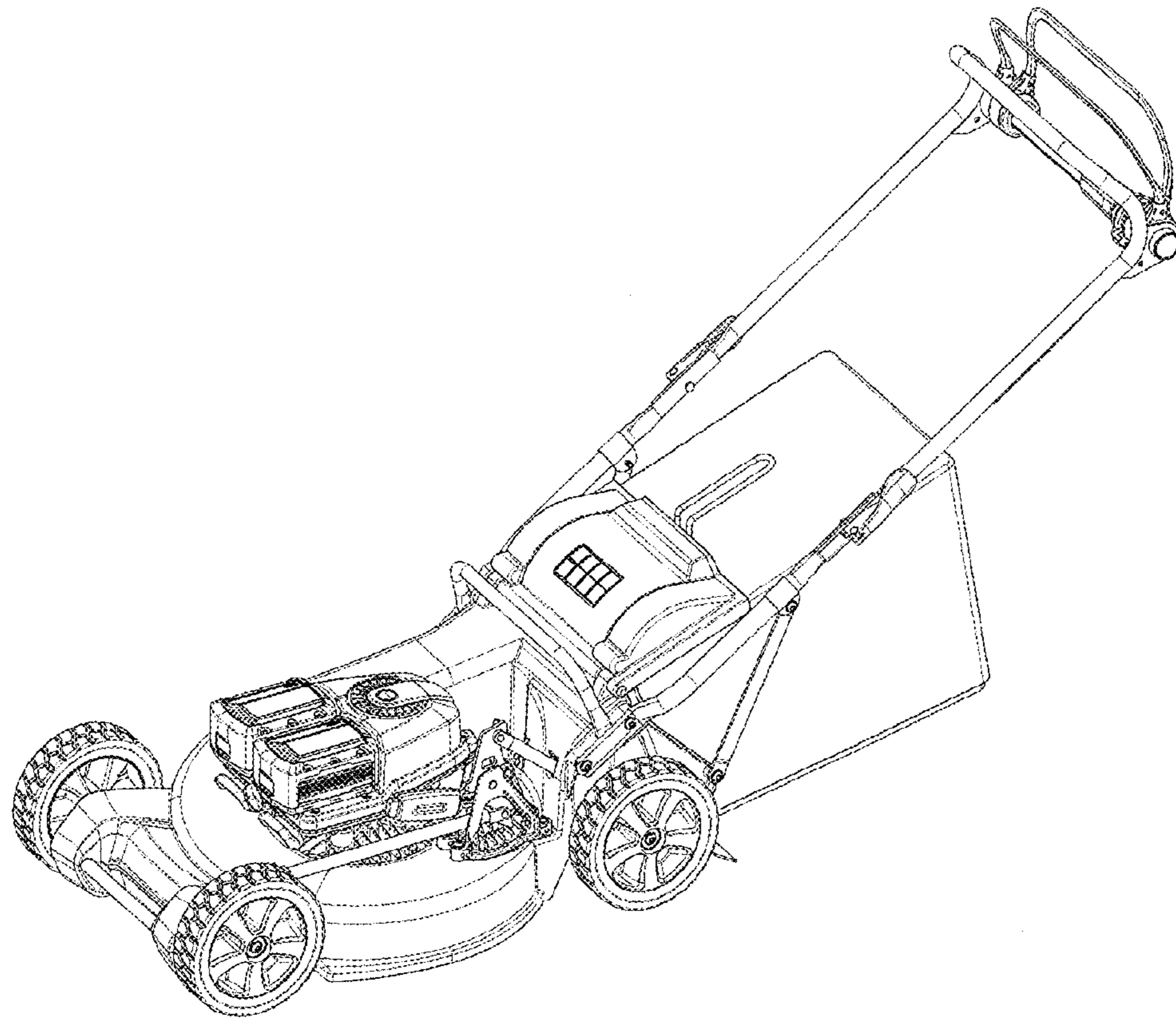


FIG. 1

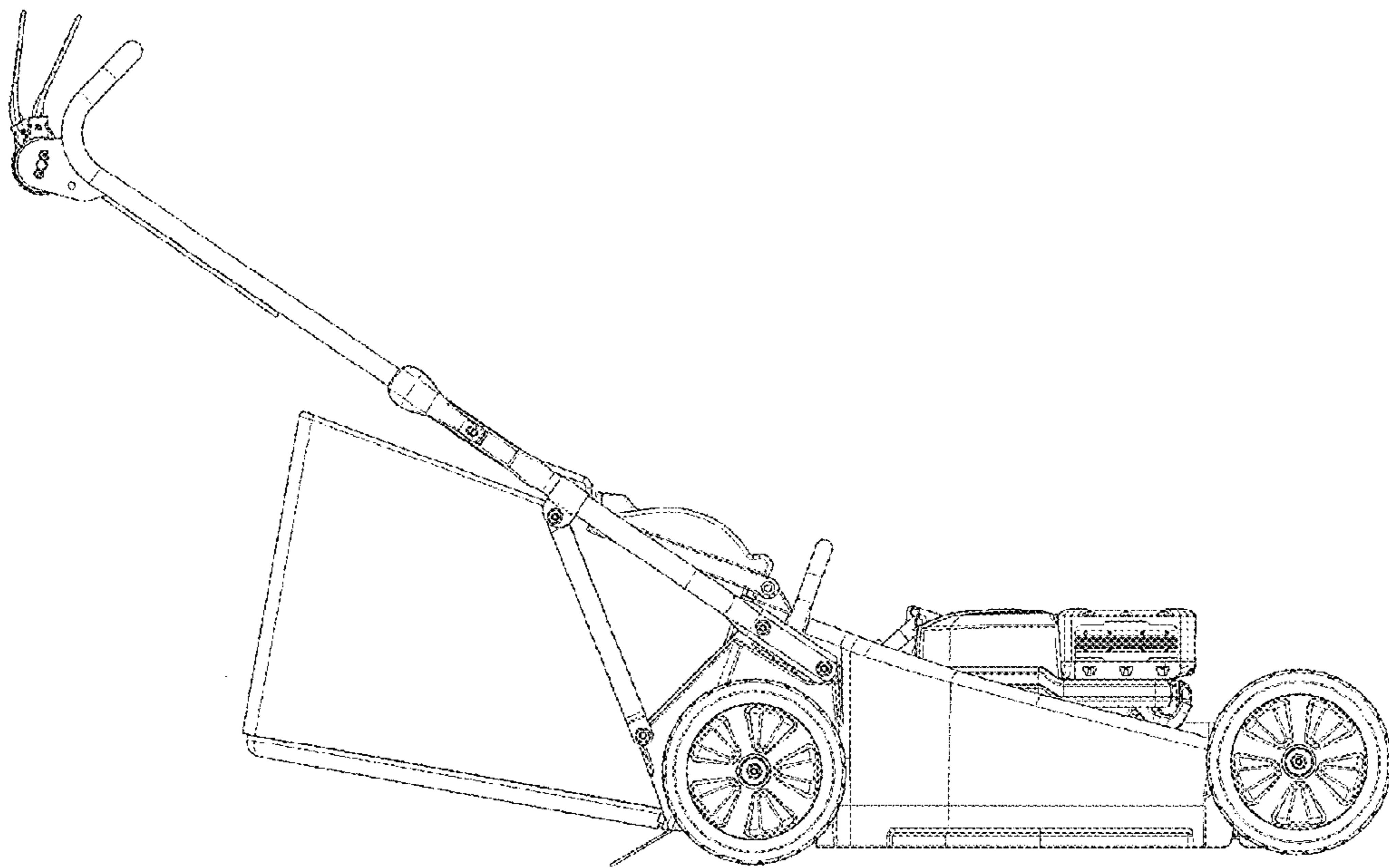


FIG. 2

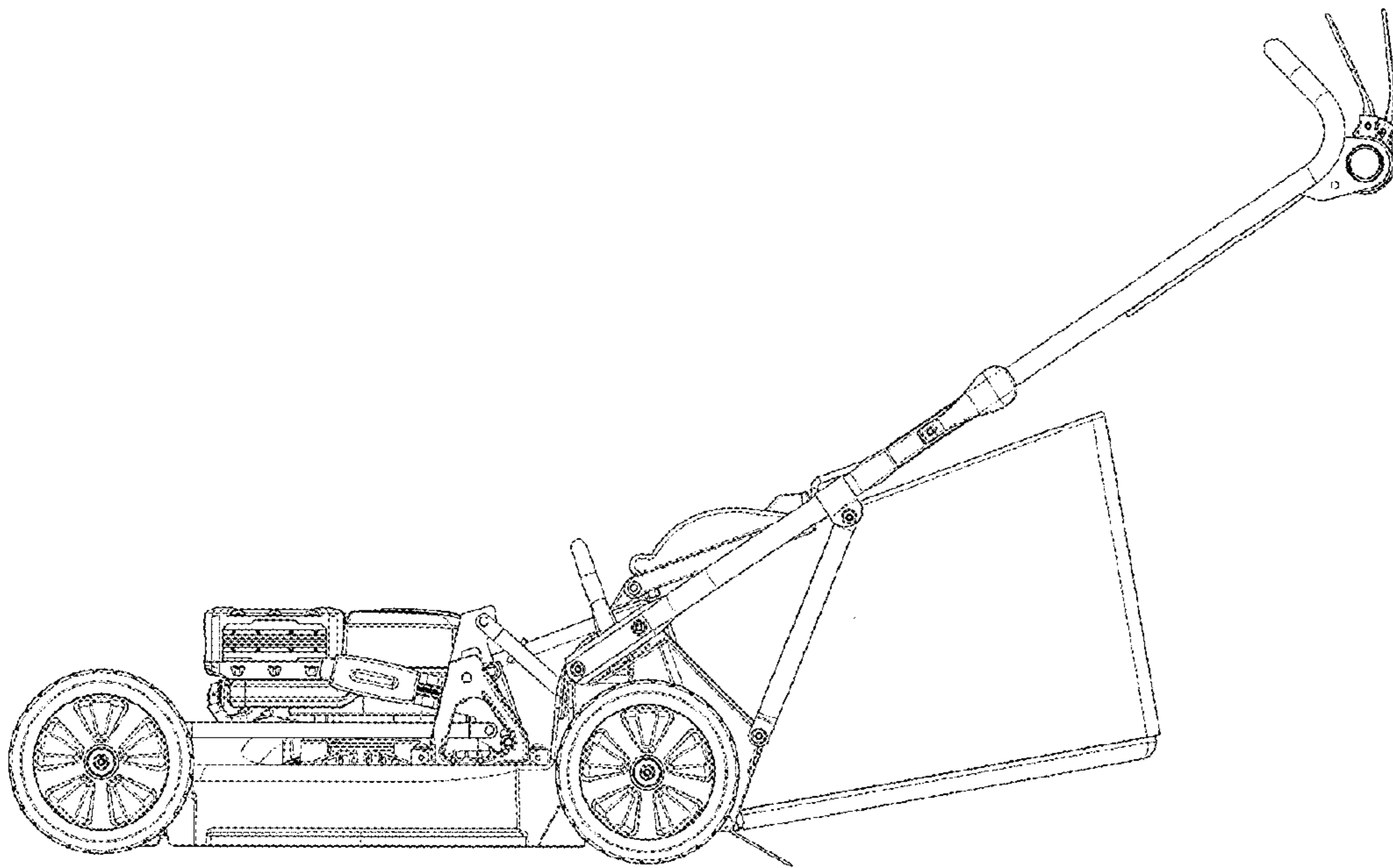


FIG. 3

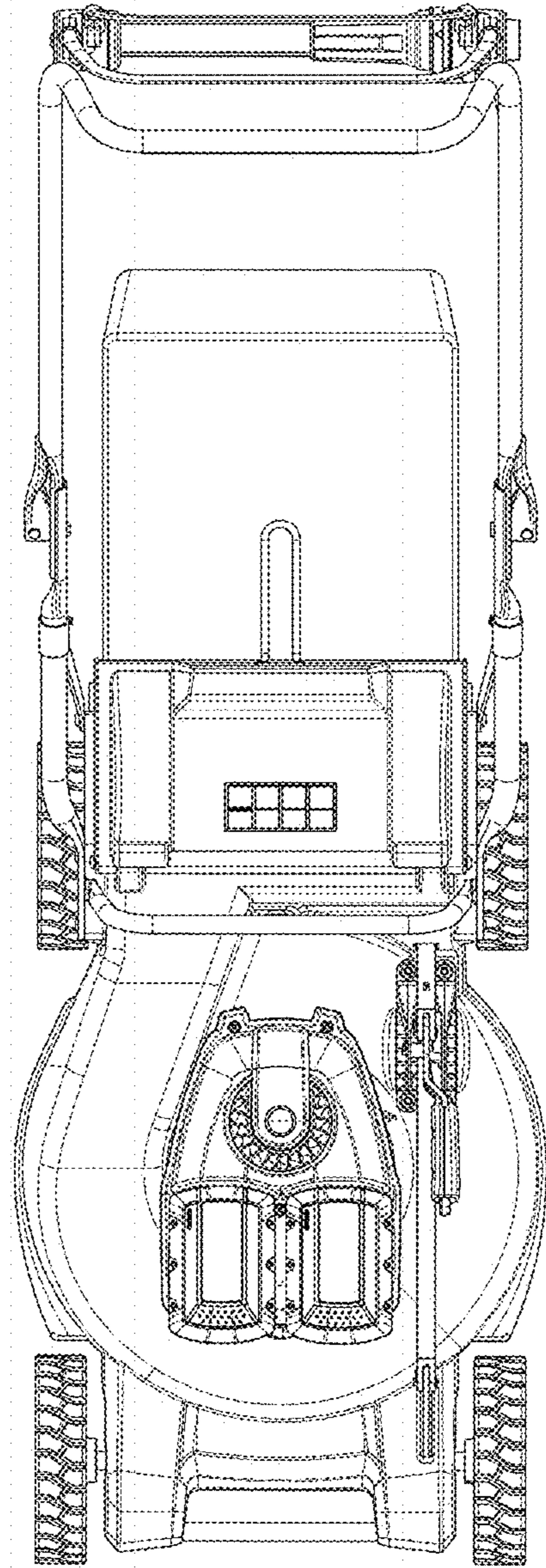


FIG. 4

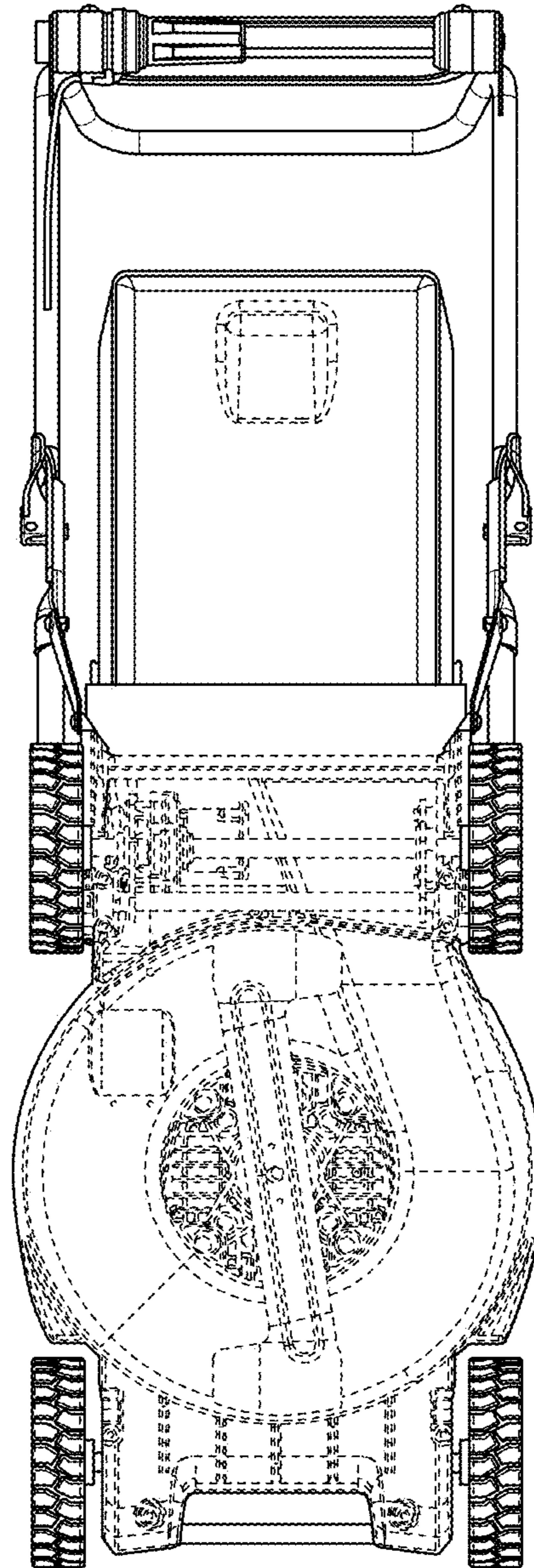


FIG. 5

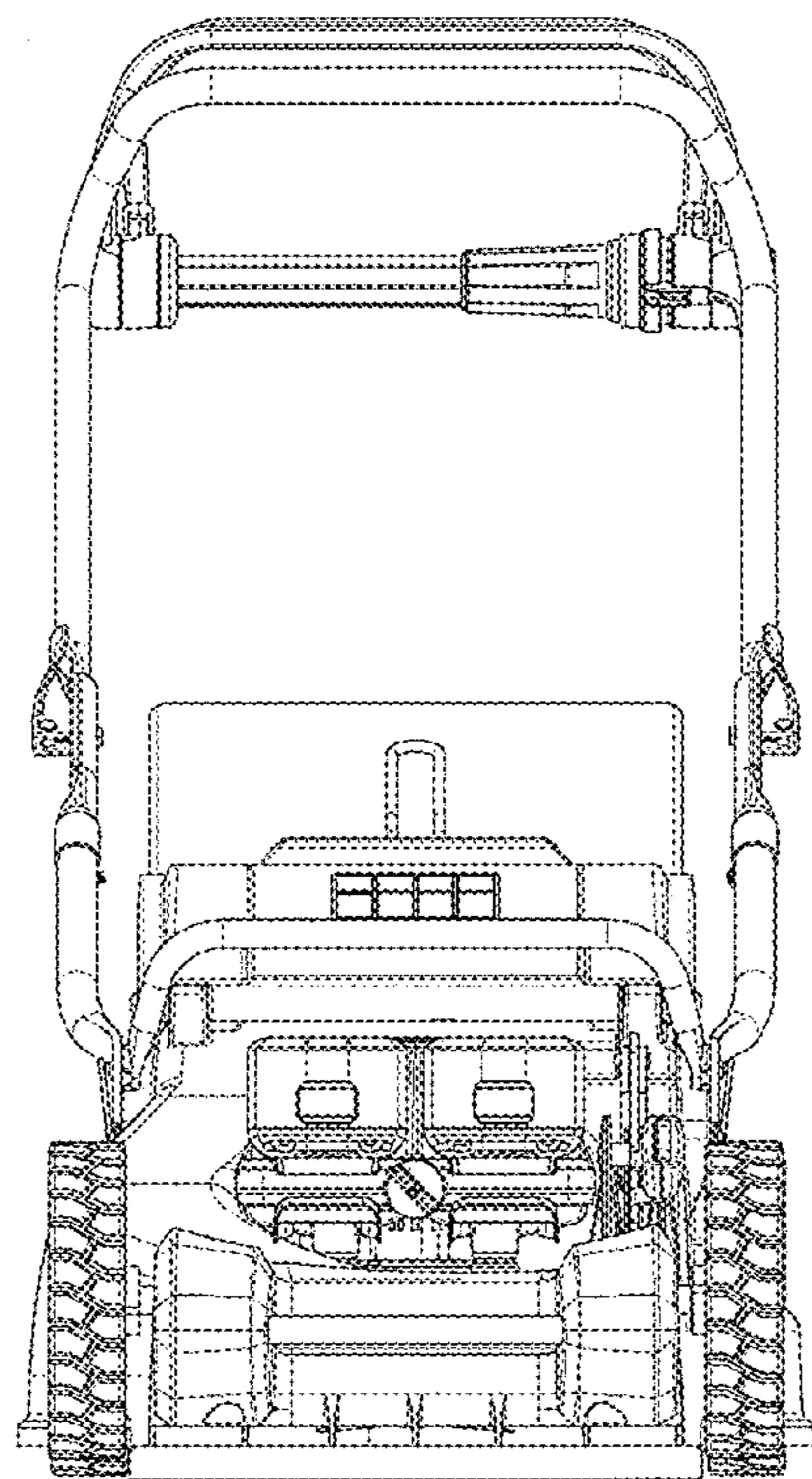


FIG. 6

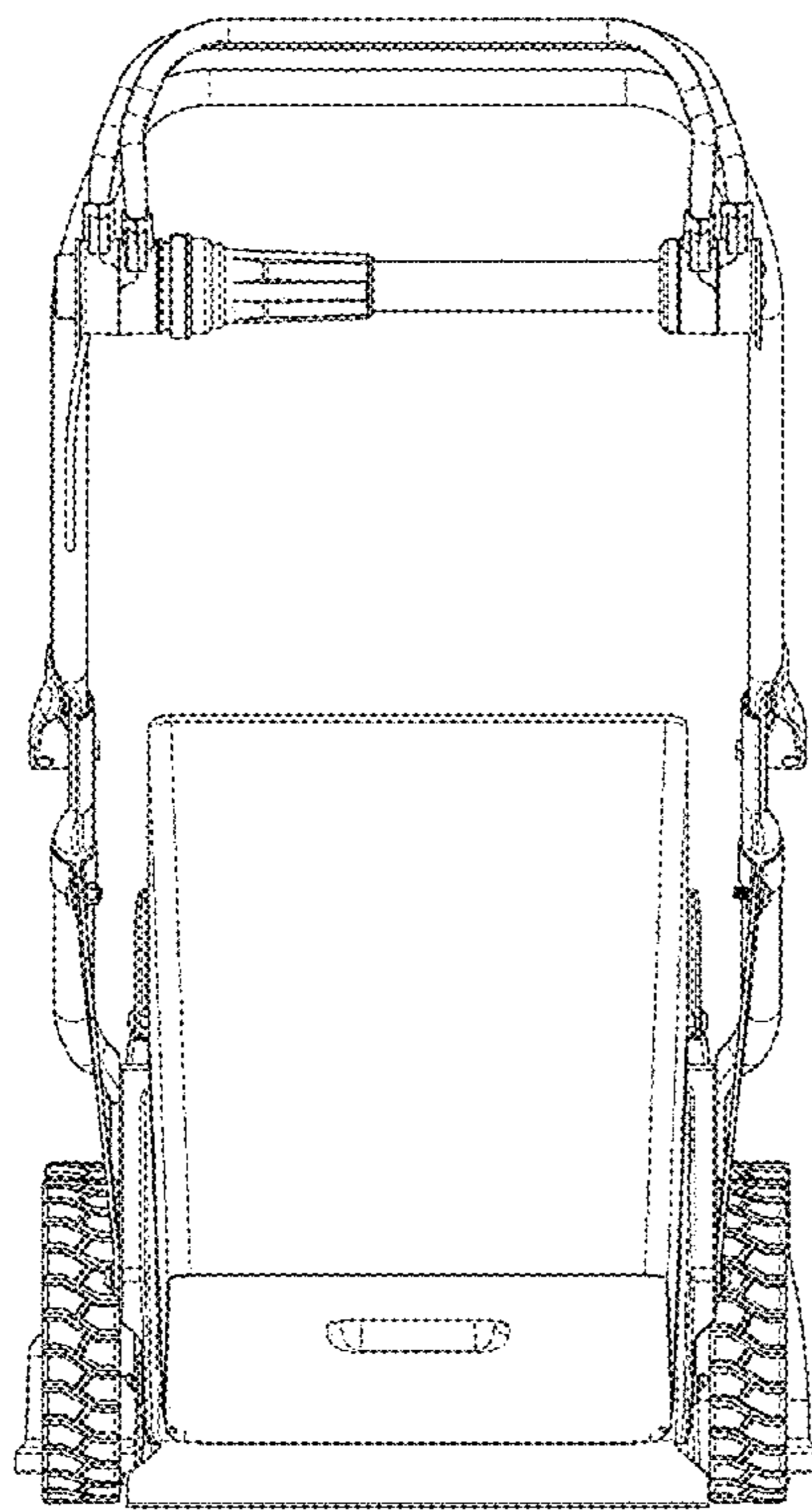


FIG. 7