



US00D726226S

(12) **United States Design Patent**  
**Alexander et al.**

(10) **Patent No.:** **US D726,226 S**  
(45) **Date of Patent:** **\*\* Apr. 7, 2015**

- (54) **PUMP**
- (71) Applicant: **FNA IP Holdings, Inc.**, Elk Grove Village, IL (US)
- (72) Inventors: **Gus Alexander**, Inverness, IL (US);  
**James E. Welch, Jr.**, Bentonville, AR (US)
- (73) Assignee: **FNA IP Holdings, Inc.**, Elk Grove Village, IL (US)
- (\*\*) Term: **14 Years**
- (21) Appl. No.: **29/477,559**
- (22) Filed: **Dec. 23, 2013**
- (51) **LOC (10) Cl.** ..... **15-02**
- (52) **U.S. Cl.**  
USPC ..... **D15/7**
- (58) **Field of Classification Search**  
CPC ..... F04B 53/22  
USPC ..... D15/7-9; D23/231, 232, 225; 417/60,  
417/235, 265, 321, 355, 358, 363, 359,  
417/410.1, 415-416, 405, 900, 360;  
60/408, 412; 184/26-37; 415/140-147;  
123/495, 509  
  
See application file for complete search history.

- D589,983 S 4/2009 Sinico
- D591,311 S 4/2009 Tojo
- D604,330 S 11/2009 Duong
- 7,611,337 B2 11/2009 Reverberi et al.
- D613,765 S \* 4/2010 Reverberi et al. .... D15/5
- D613,766 S \* 4/2010 Reverberi et al. .... D15/5
- D616,467 S \* 5/2010 Reverberi et al. .... D15/5
- D617,814 S 6/2010 Dreifert
- D633,101 S 2/2011 Magri
- D633,102 S 2/2011 Magri
- D633,103 S 2/2011 Magri
- D633,104 S 2/2011 Magri
- D633,105 S 2/2011 Magri
- D633,406 S 3/2011 Magri
- D634,664 S 3/2011 DaRif
- D642,594 S 8/2011 Mattson et al.
- D644,252 S 8/2011 Kojima
- D648,353 S 11/2011 Mattson et al.
- 8,083,497 B2 12/2011 Gilpatrick et al.

(Continued)

*Primary Examiner* — Ralf Seifert

(74) *Attorney, Agent, or Firm* — Holland & Knight LLP;  
Steven E. Jedlinski, Esq.; Jeffrey T. Placker, Esq.

(57) **CLAIM**

The ornamental design for a pump, as shown and described.

**DESCRIPTION**

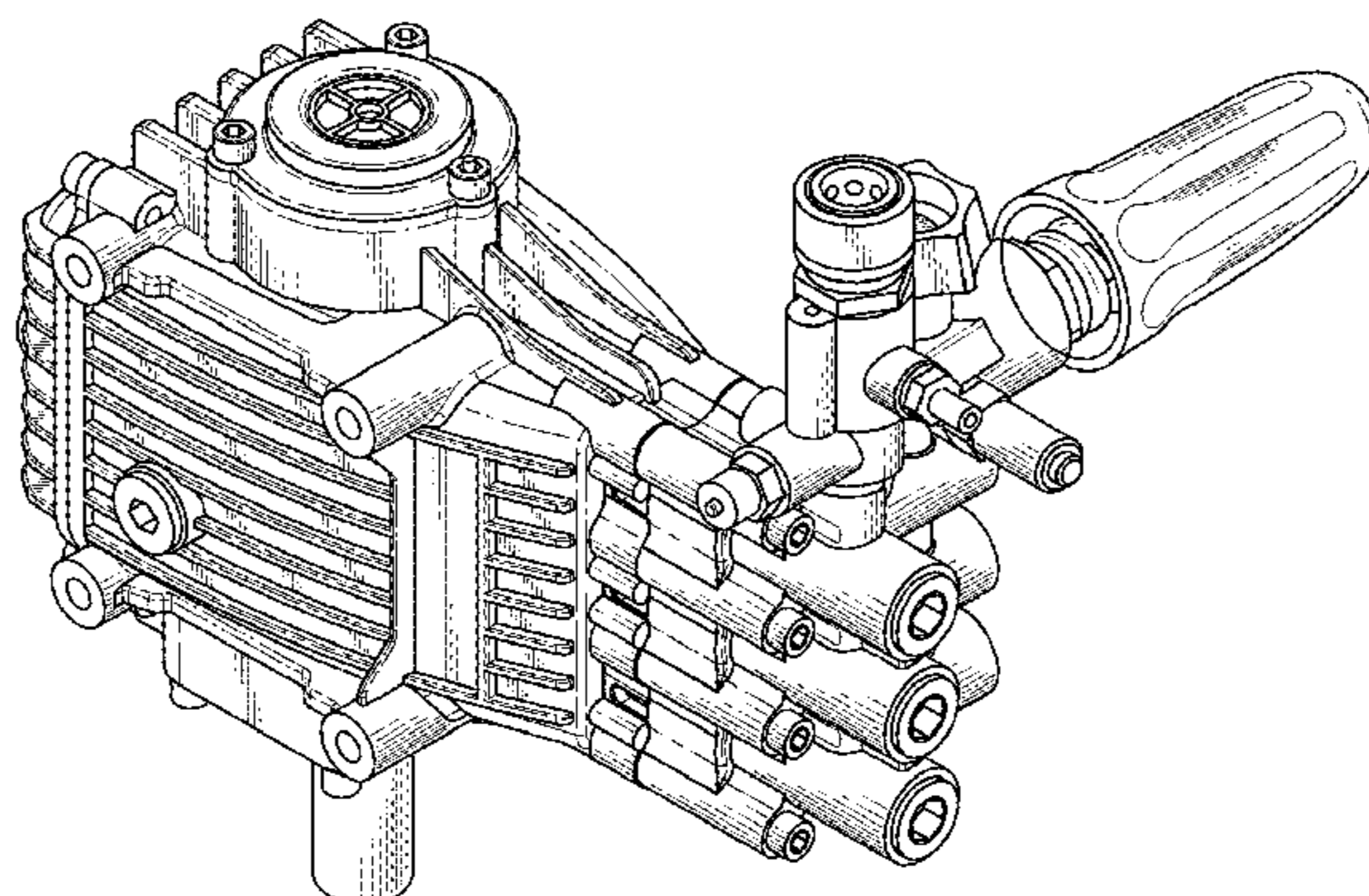
FIG. 1 is a perspective view of a pump as viewed from the front left side;  
 FIG. 2 is a perspective view of a pump as viewed from the rear right side;  
 FIG. 3 is a front elevation view thereof;  
 FIG. 4 is a rear elevation view thereof;  
 FIG. 5 is a right side elevation view thereof;  
 FIG. 6 is a left side elevation view thereof;  
 FIG. 7 is a top plan view thereof; and,  
 FIG. 8 is a bottom plan view thereof.  
 The broken lines are included for the purpose of illustrating portions of the pump that form no part of the claimed design.

**1 Claim, 5 Drawing Sheets**

(56) **References Cited**

U.S. PATENT DOCUMENTS

- D205,691 S 9/1966 Ruliffson
- D354,495 S 1/1995 Tojo
- 5,494,414 A 2/1996 Steinhard et al.
- D476,665 S 7/2003 Stewart
- D536,005 S \* 1/2007 Reverberi ..... D15/5
- D538,824 S 3/2007 Tojo
- D538,826 S 3/2007 Kienzle
- D553,157 S 10/2007 Busschaert
- D554,152 S 10/2007 Ratner
- D581,950 S 12/2008 Ratner



(56)

**References Cited**

U.S. PATENT DOCUMENTS

D652,844 S 1/2012 Hanitsch et al.  
D654,095 S 2/2012 Mattson et al.  
D656,962 S 4/2012 Boldsen  
D670,312 S 11/2012 Alexander et al.

D688,273 S \* 8/2013 Magri ..... D15/7  
D691,638 S 10/2013 Alexander et al.  
D692,026 S 10/2013 Alexander et al.  
D699,762 S 2/2014 Alexander et al.  
D700,211 S 2/2014 Alexander et al.  
D700,212 S 2/2014 Alexander et al.

\* cited by examiner

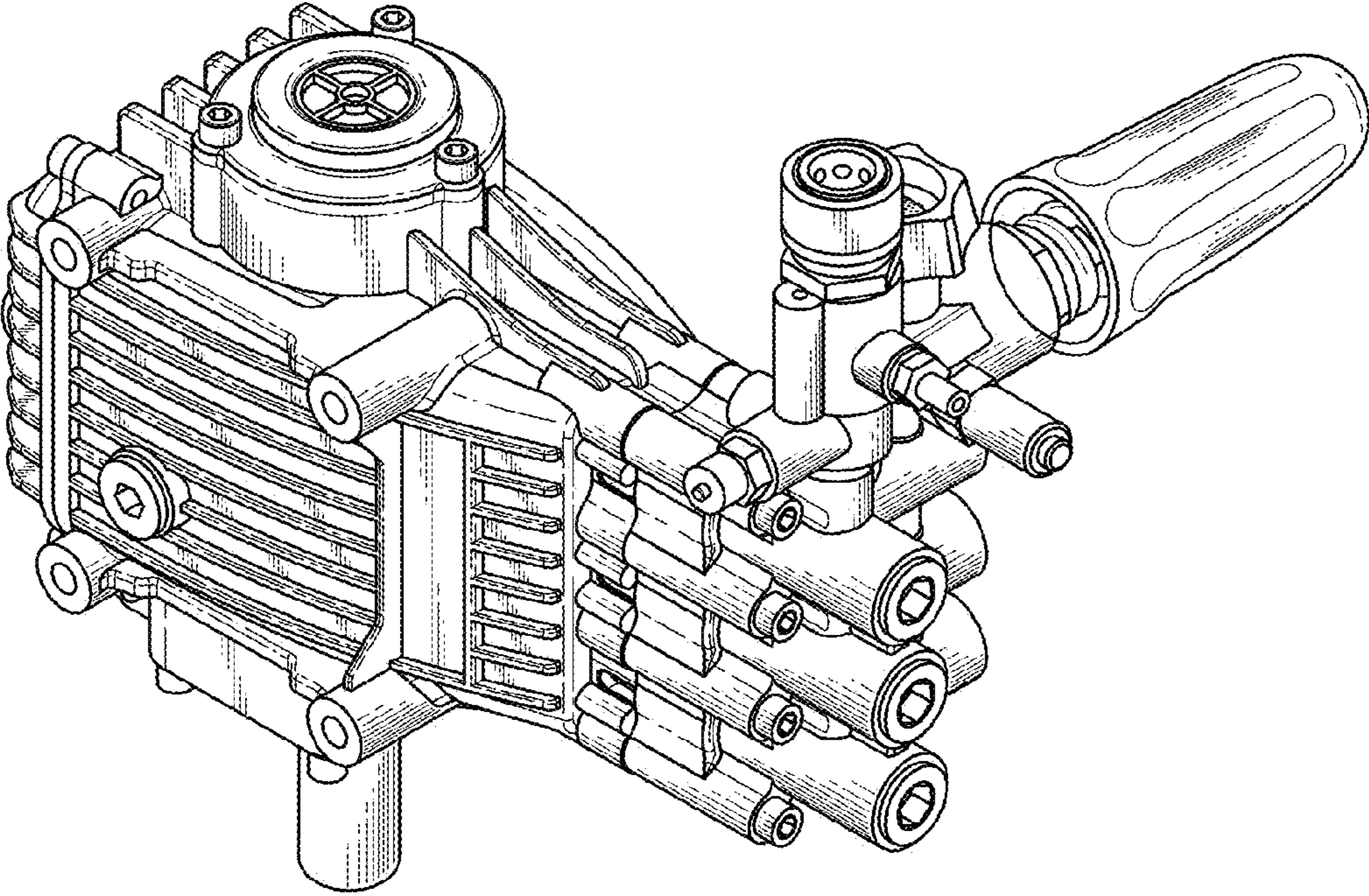


FIG. 1



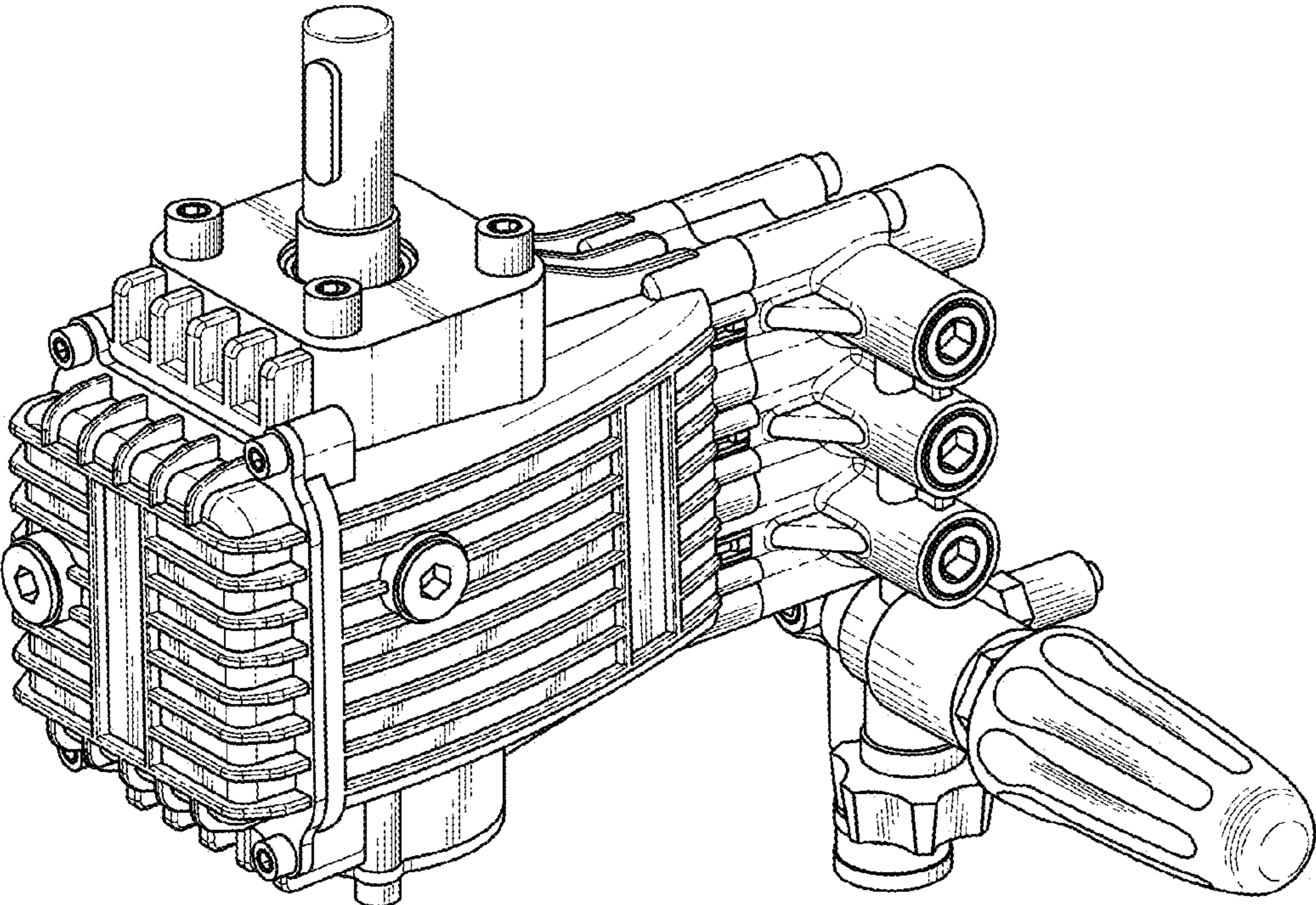


FIG. 2

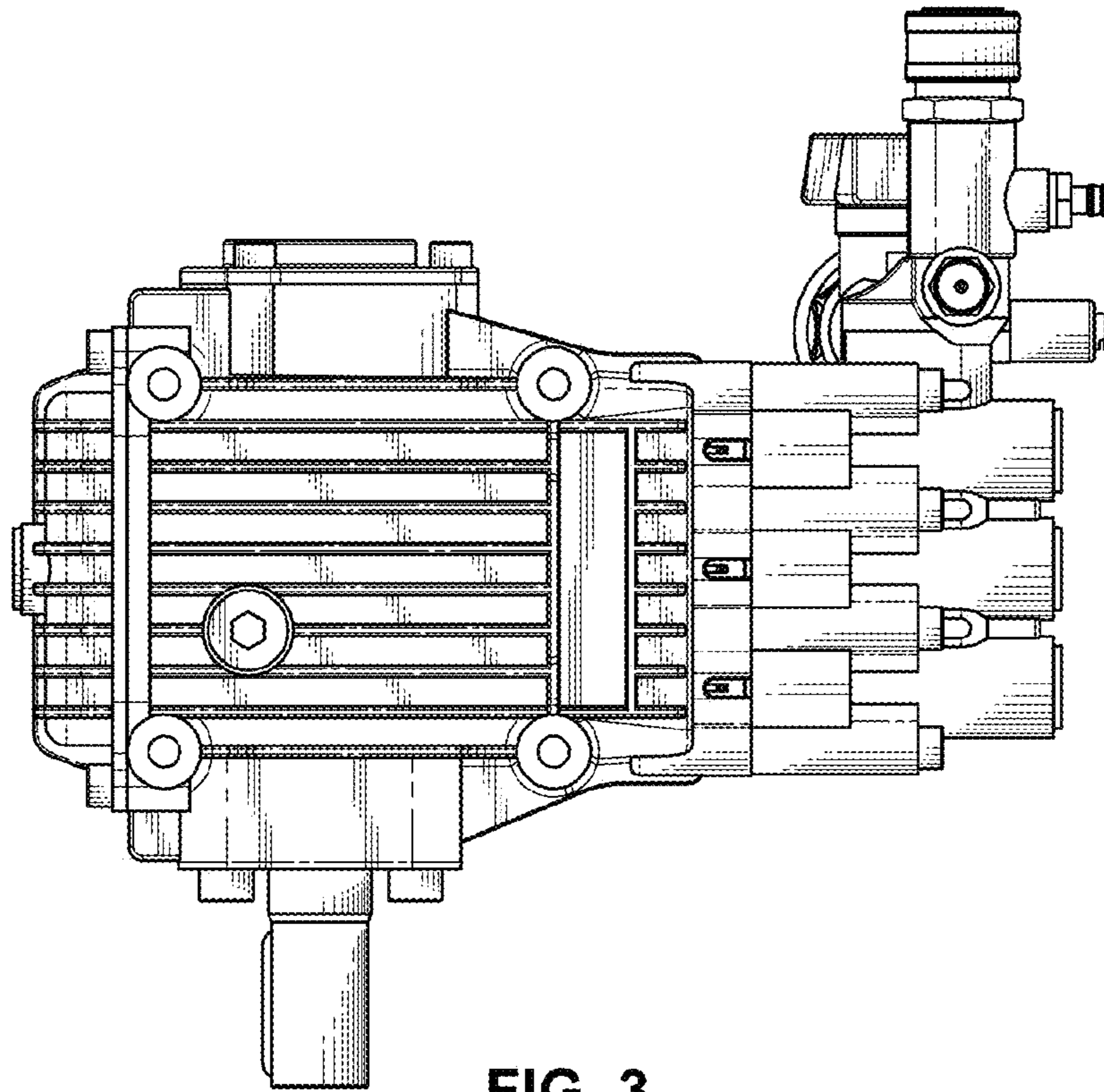


FIG. 3

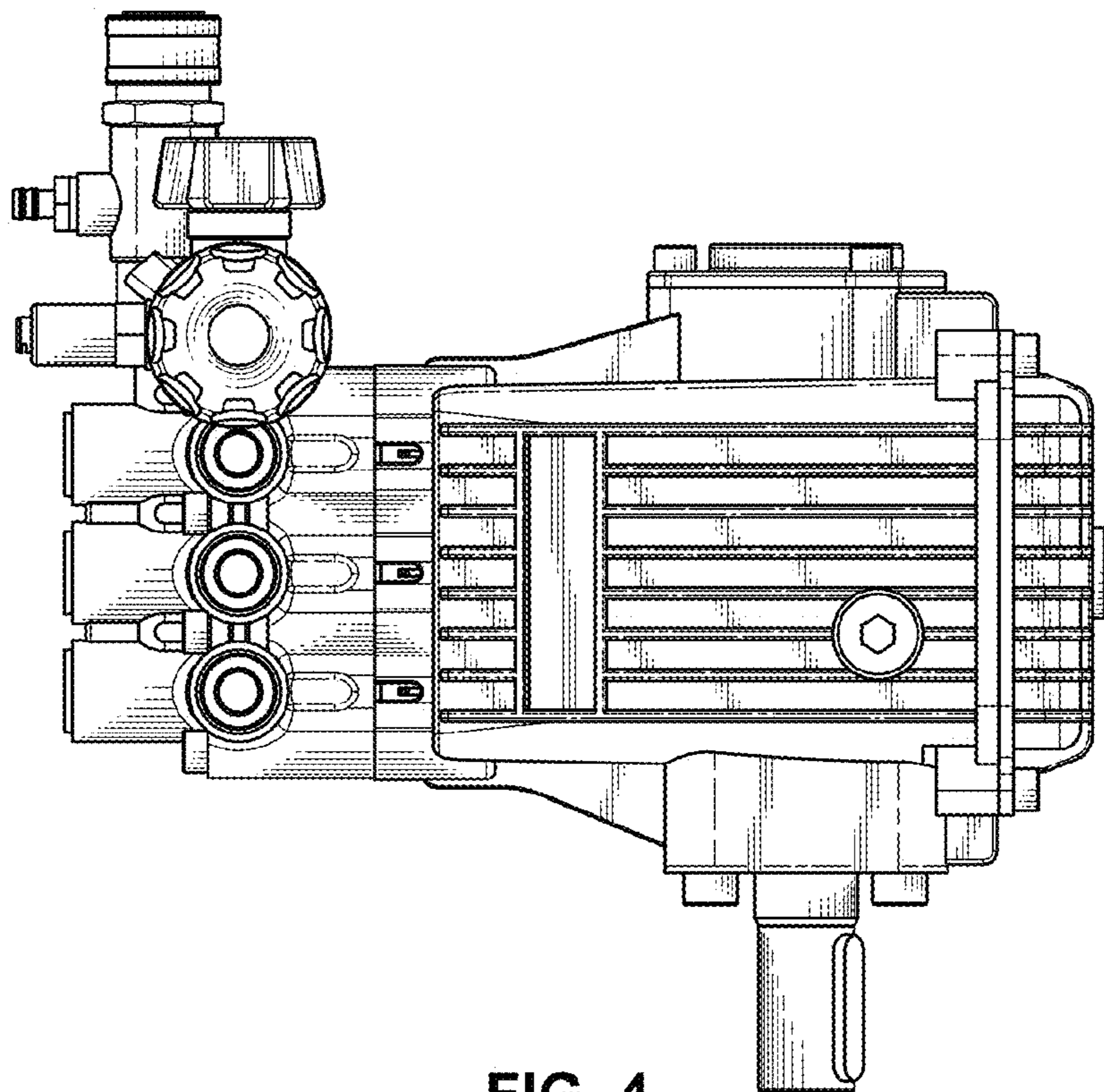


FIG. 4

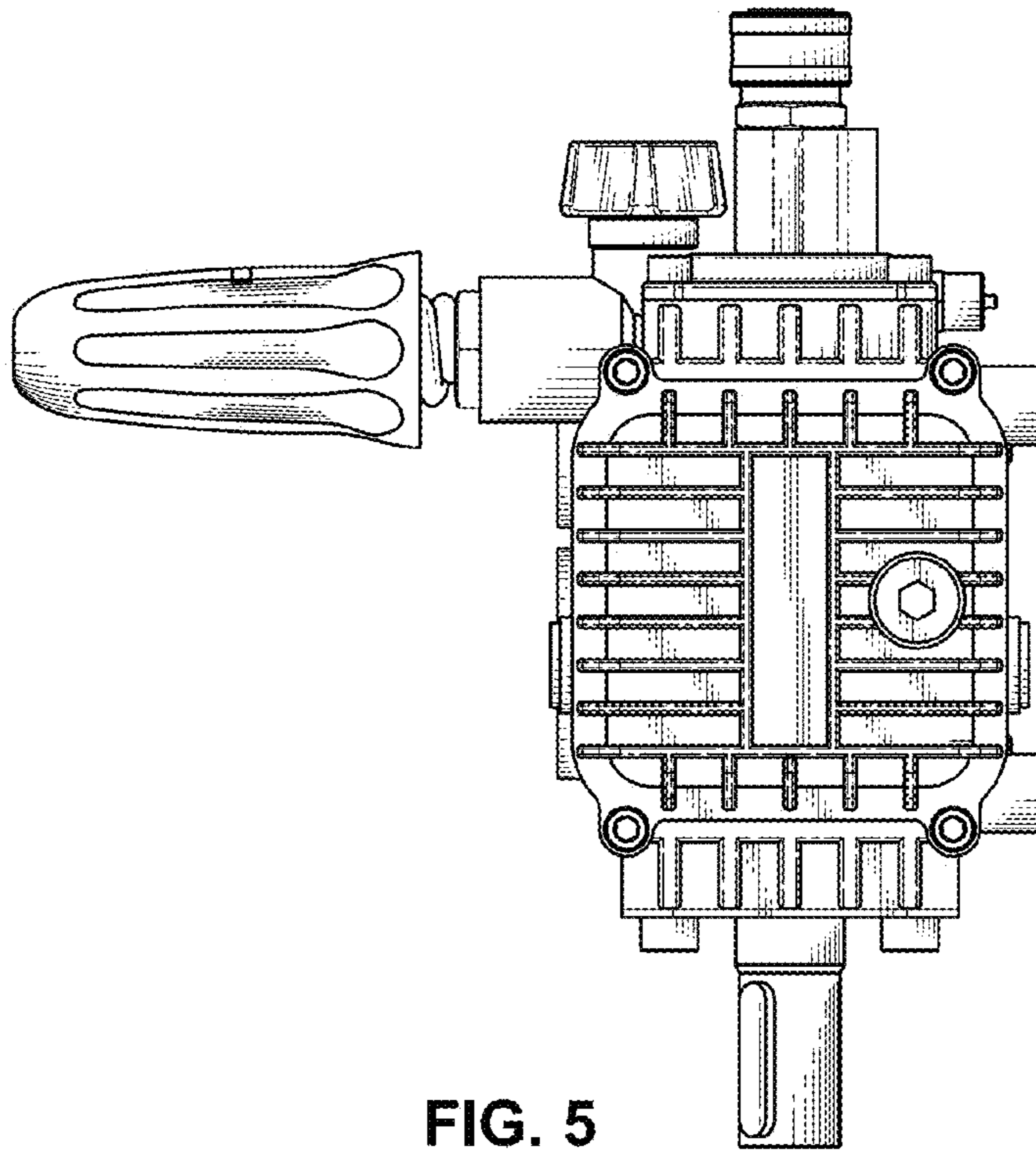


FIG. 5

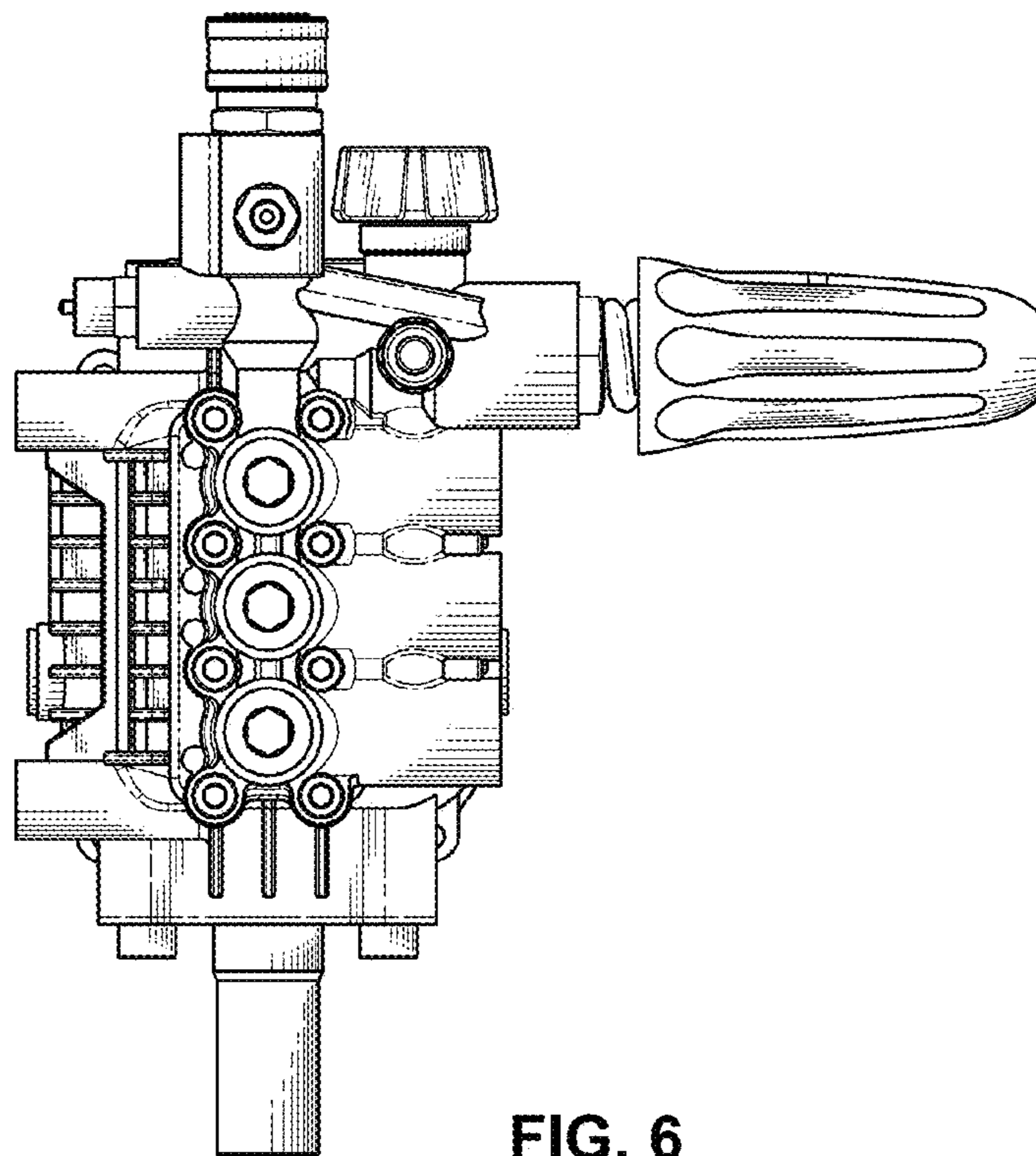


FIG. 6



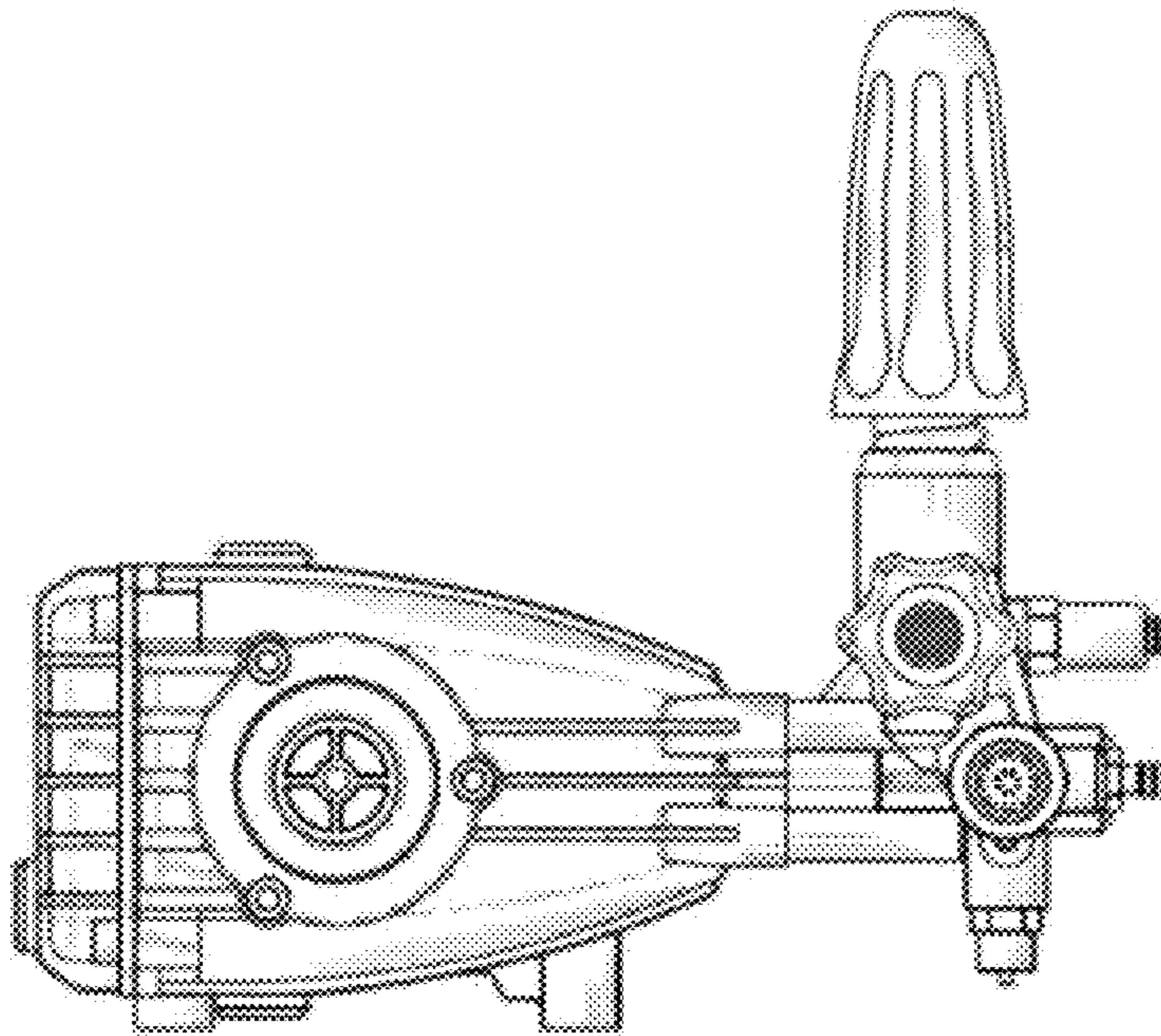


FIG. 7

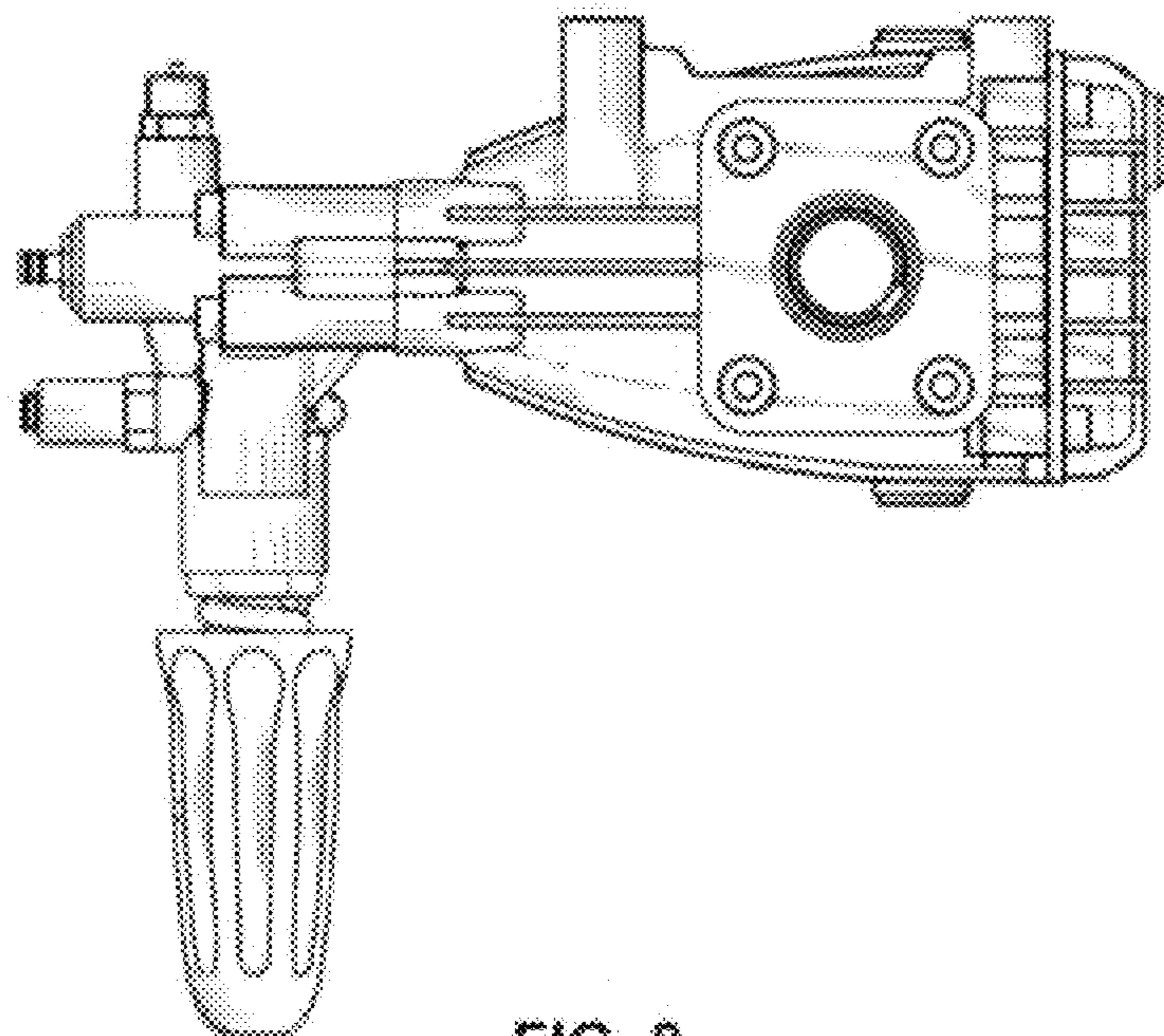


FIG. 8