

US00D726225S

(12) **United States Design Patent**
Alexander et al.

(10) **Patent No.:** **US D726,225 S**
(45) **Date of Patent:** **** Apr. 7, 2015**

(54) **PUMP**

(71) Applicant: **FNA IP Holdings, Inc.**, Elk Grove Village, IL (US)

(72) Inventors: **Gus Alexander**, Inverness, IL (US);
James E. Welch, Jr., Bentonville, AR (US)

(73) Assignee: **FNA IP Holdings, Inc.**, Elk Grove Village, IL (US)

(**) Term: **14 Years**

(21) Appl. No.: **29/477,533**

(22) Filed: **Dec. 23, 2013**

(51) **LOC (10) Cl.** **02-07**

(52) **U.S. Cl.**
USPC **D15/7**

(58) **Field of Classification Search**
CPC F04B 53/22
USPC D15/7-9; D23/231, 232, 225; 417/60, 417/235, 265, 321, 355, 358, 363, 359, 417/410.1, 415-416, 405, 900, 360; 60/408, 412; 184/26-37; 415/140-147; 123/495, 509

See application file for complete search history.

(56) **References Cited**

U.S. PATENT DOCUMENTS

D205,691 S	9/1966	Ruliffson	
D354,495 S	1/1995	Tojo	
5,494,414 A	2/1996	Steinhard et al.	
D476,665 S	7/2003	Stewart	
D536,005 S *	1/2007	Reverberi D15/5
D538,824 S	3/2007	Tojo	
D538,826 S	3/2007	Kienzle	
D553,157 S	10/2007	Busschaert	
D554,152 S	10/2007	Ratner	
D581,950 S	12/2008	Ratner	

D589,983 S	4/2009	Sinico	
D591,311 S	4/2009	Tojo	
D604,330 S	11/2009	Duong	
7,611,337 B2	11/2009	Reverberi et al.	
D613,765 S *	4/2010	Reverberi et al. D15/5
D613,766 S *	4/2010	Reverberi et al. D15/5
D616,467 S *	5/2010	Reverberi et al. D15/5
D617,814 S	6/2010	Dreifert	
D633,101 S	2/2011	Magri	
D633,102 S	2/2011	Magri	
D633,103 S	2/2011	Magri	
D633,104 S	2/2011	Magri	
D633,105 S	2/2011	Magri	
D633,406 S	3/2011	Magri	
D634,664 S	3/2011	DaRif	
D642,594 S	8/2011	Mattson et al.	
D644,252 S	8/2011	Kojima	
D648,353 S	11/2011	Mattson et al.	
8,083,497 B2	12/2011	Gilpatrick et al.	

(Continued)

Primary Examiner — Ralf Seifert

(74) *Attorney, Agent, or Firm* — Holland & Knight LLP; Steven E. Jedlinski, Esq.; Jeffrey T. Placker, Esq.

(57) **CLAIM**

The ornamental design for a pump, as shown and described.

DESCRIPTION

FIG. 1 is a perspective view of a pump as viewed from the front left side;

FIG. 2 is a perspective view of a pump as viewed from the rear right side;

FIG. 3 is a front elevation view thereof;

FIG. 4 is a rear elevation view thereof;

FIG. 5 is a right side elevation view thereof;

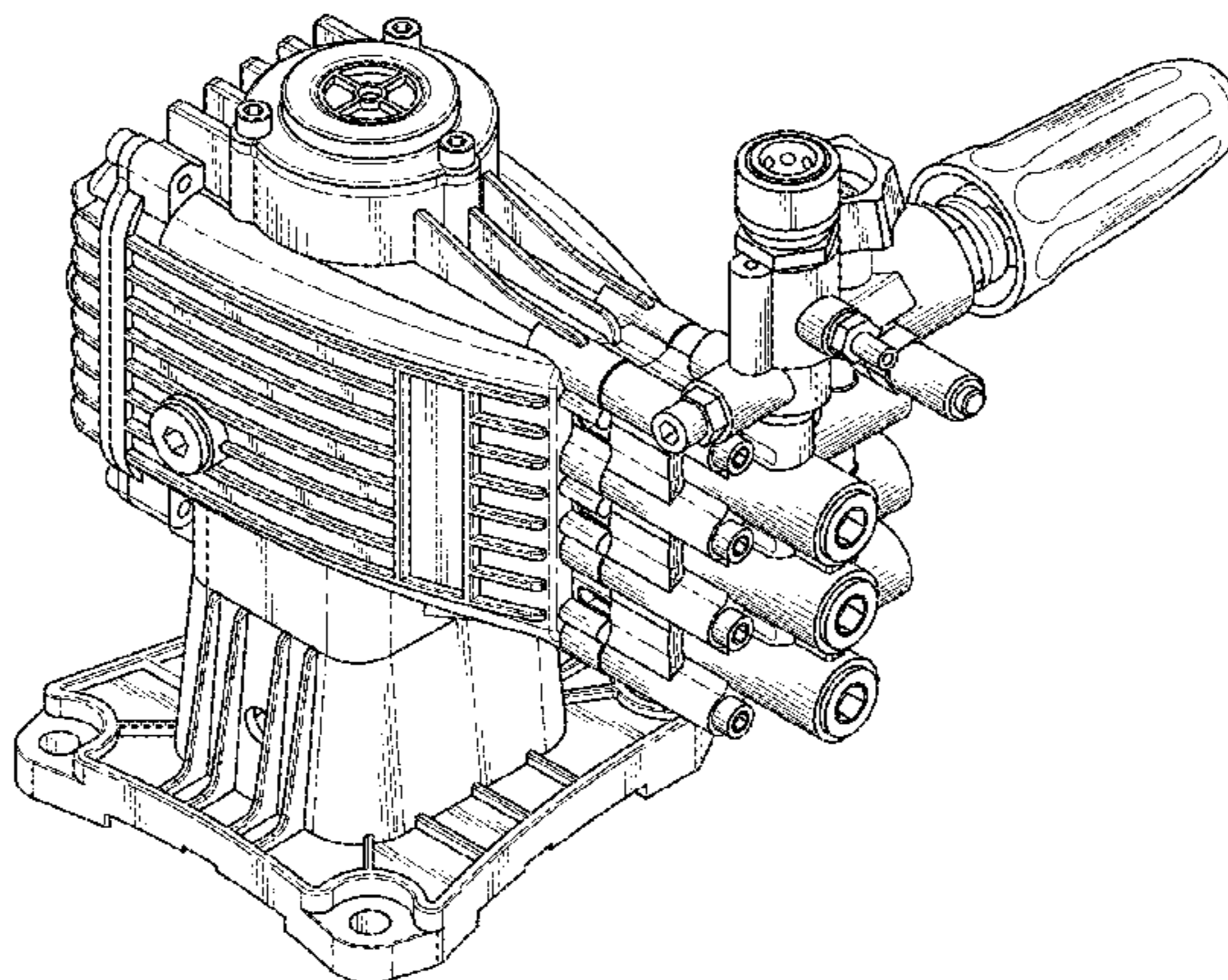
FIG. 6 is a left side elevation view thereof;

FIG. 7 is a top plan view thereof; and,

FIG. 8 is a bottom plan view thereof.

The broken lines are included for the purpose of illustrating portions of the pump that form no part of the claimed design.

1 Claim, 5 Drawing Sheets



(56)

References Cited

U.S. PATENT DOCUMENTS

D652,844 S 1/2012 Hanitsch et al.
D654,095 S 2/2012 Mattson et al.
D656,962 S 4/2012 Boldsen
D670,312 S 11/2012 Alexander et al.

D688,273 S * 8/2013 Magri D15/7
D691,638 S 10/2013 Alexander et al.
D692,026 S 10/2013 Alexander et al.
D699,762 S 2/2014 Alexander et al.
D700,211 S 2/2014 Alexander et al.
D700,212 S 2/2014 Alexander et al.

* cited by examiner

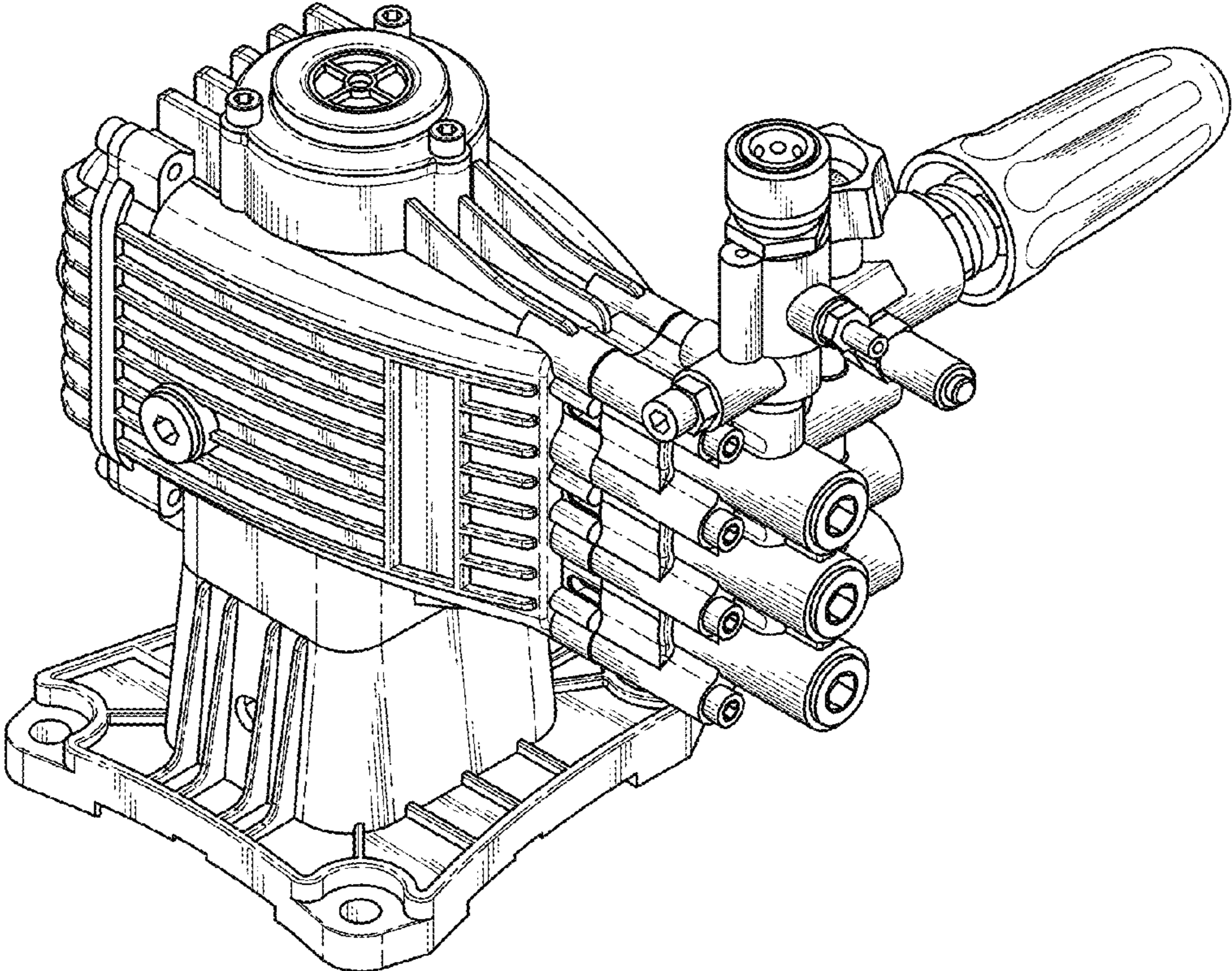


FIG. 1

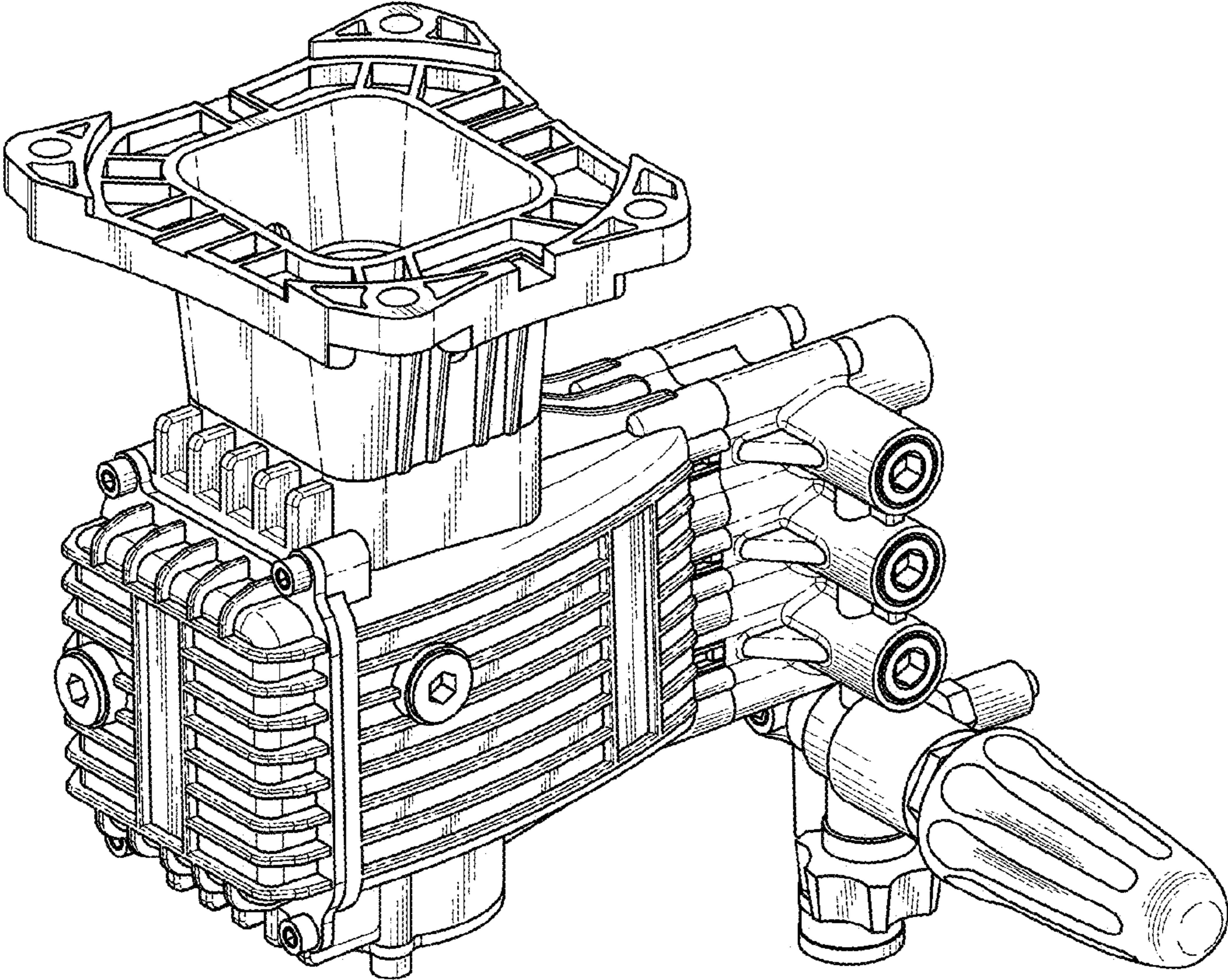


FIG. 2

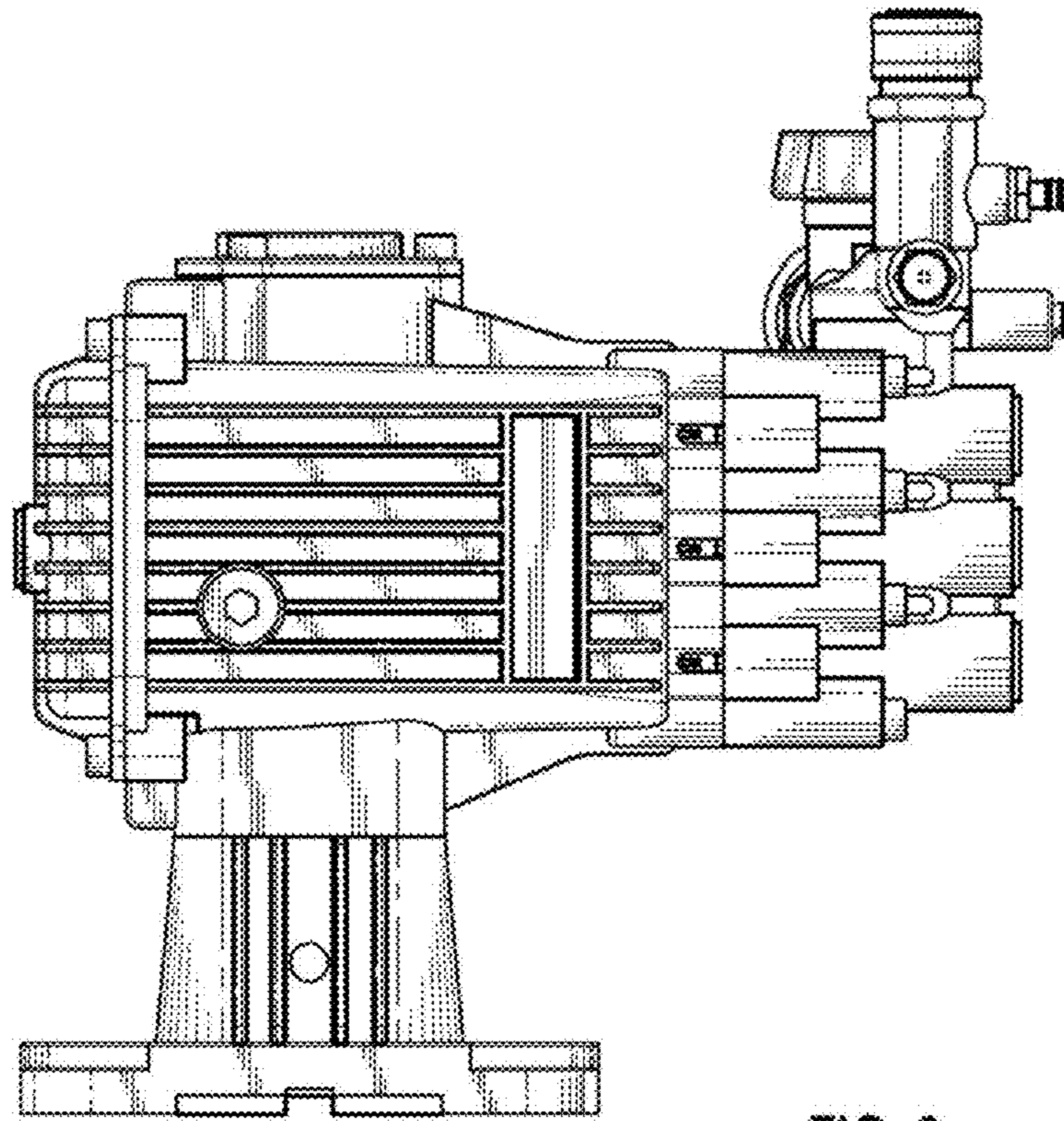


FIG. 3

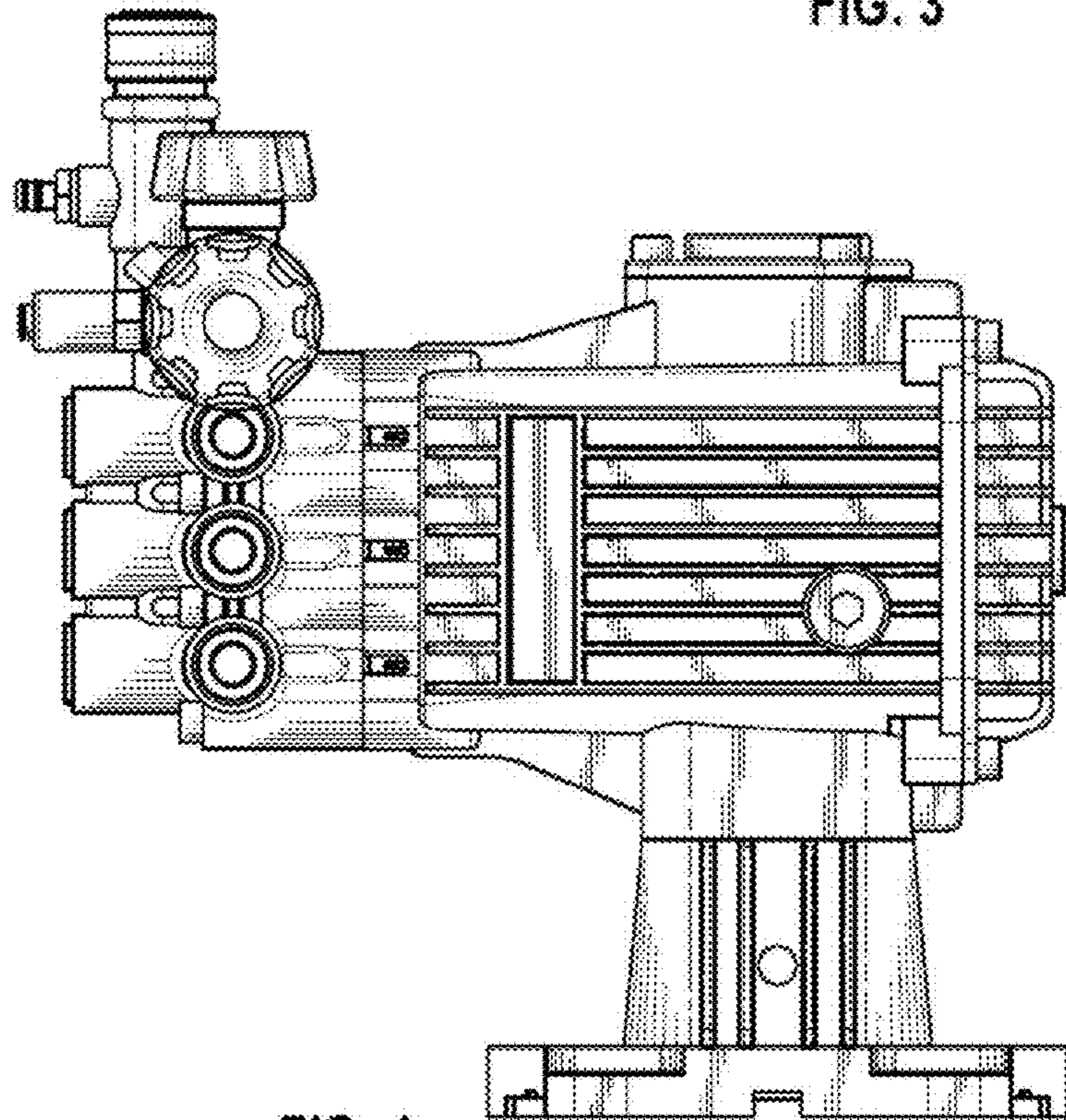


FIG. 4

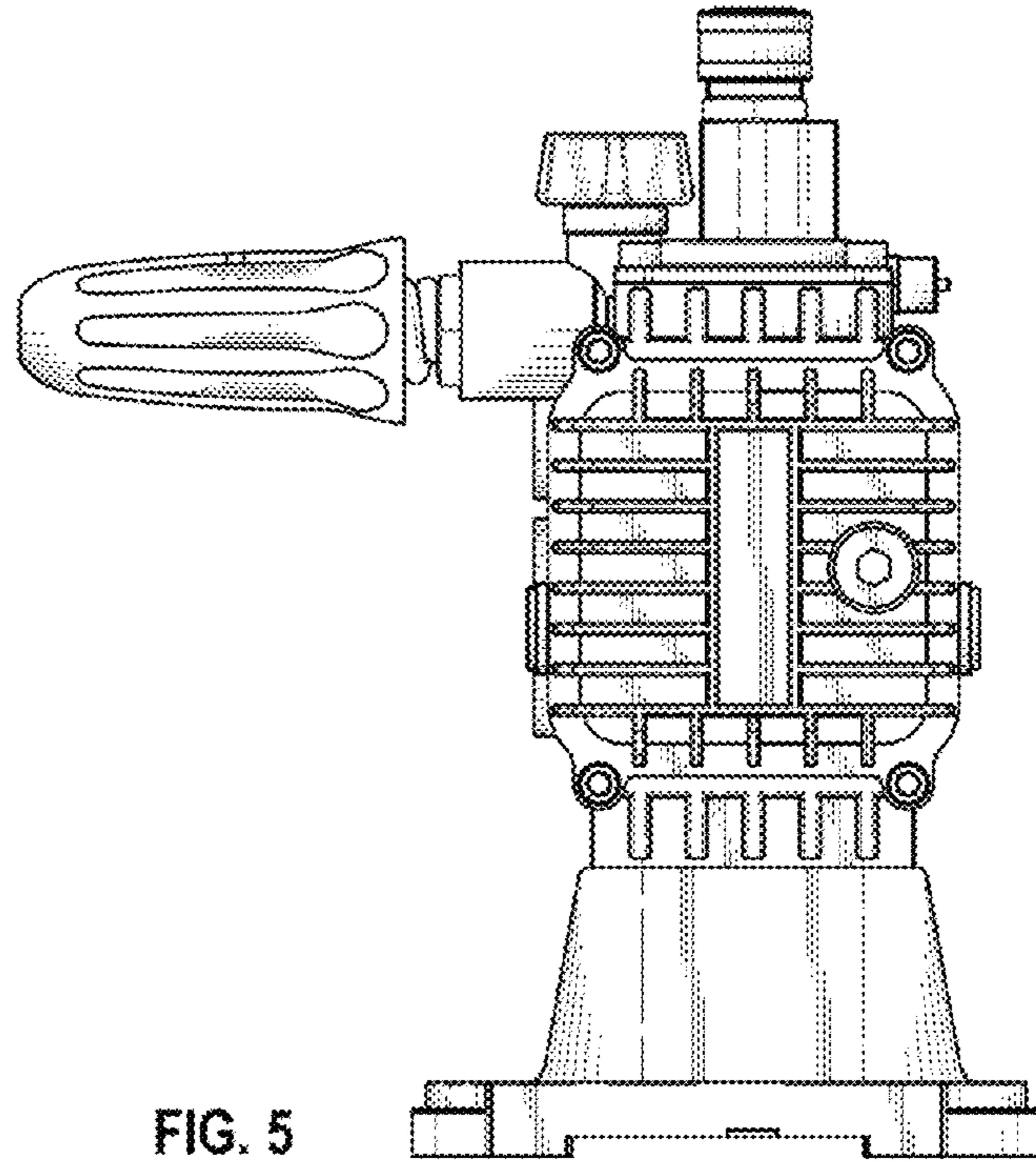


FIG. 5

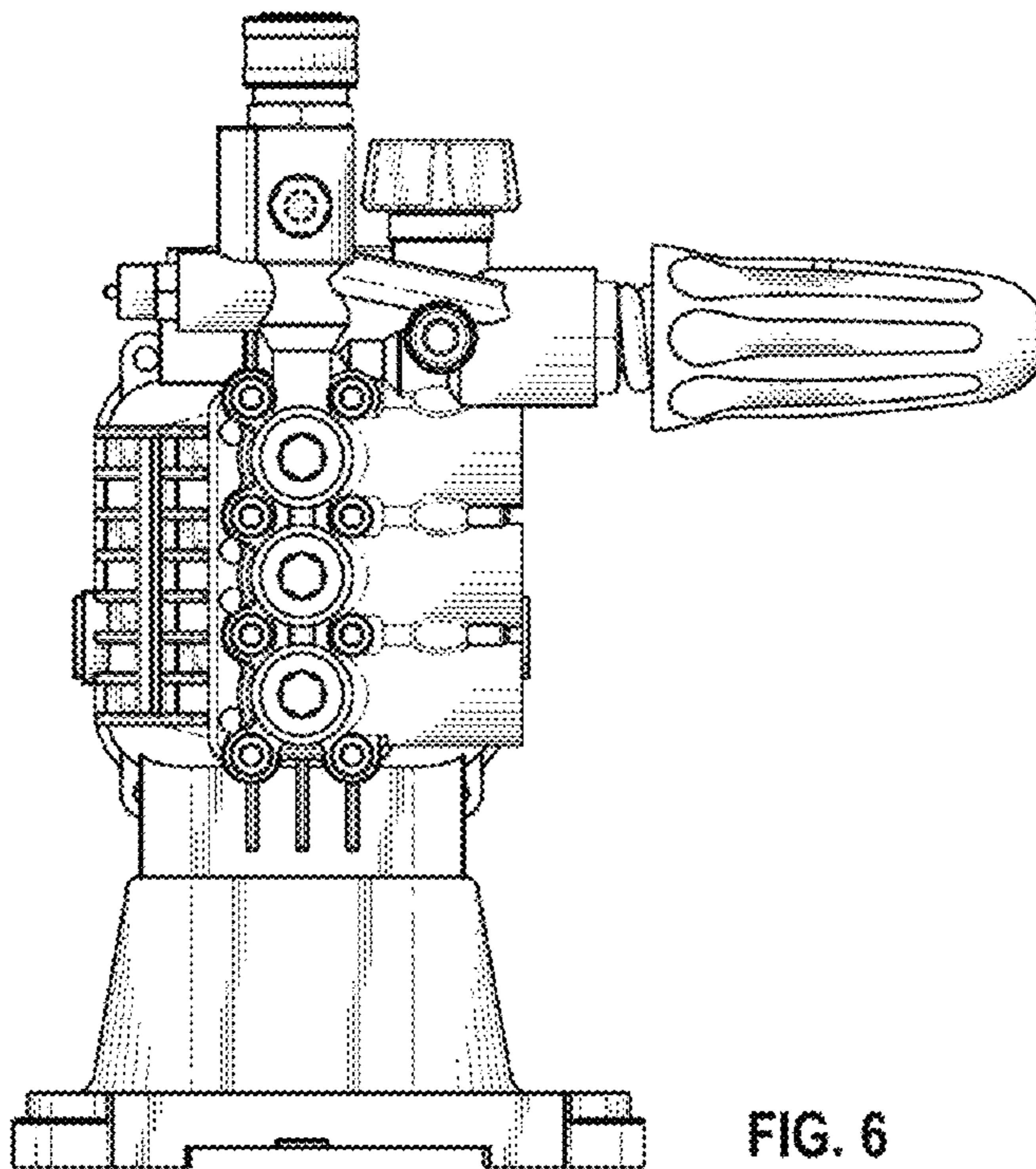


FIG. 6

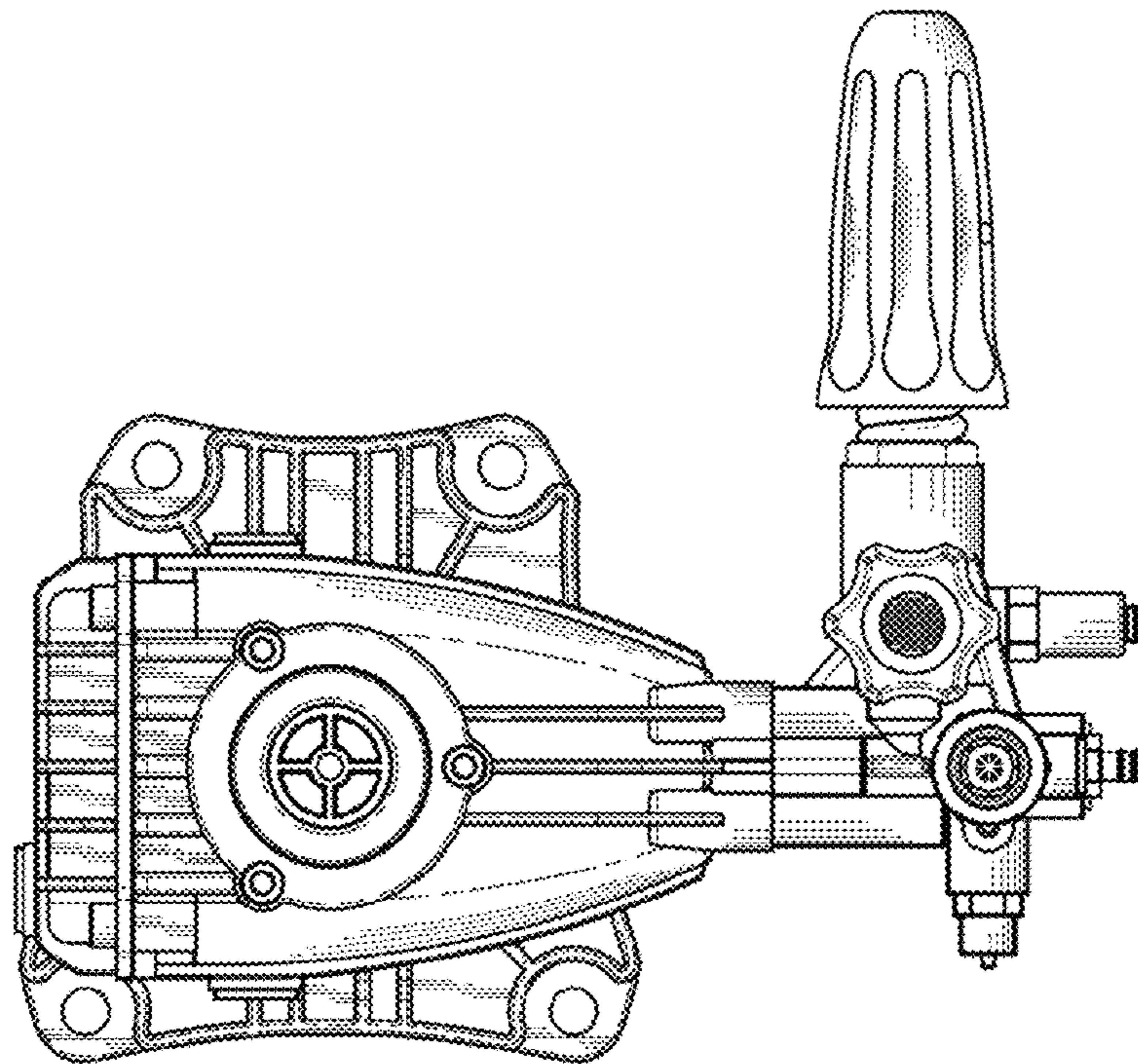


FIG. 7

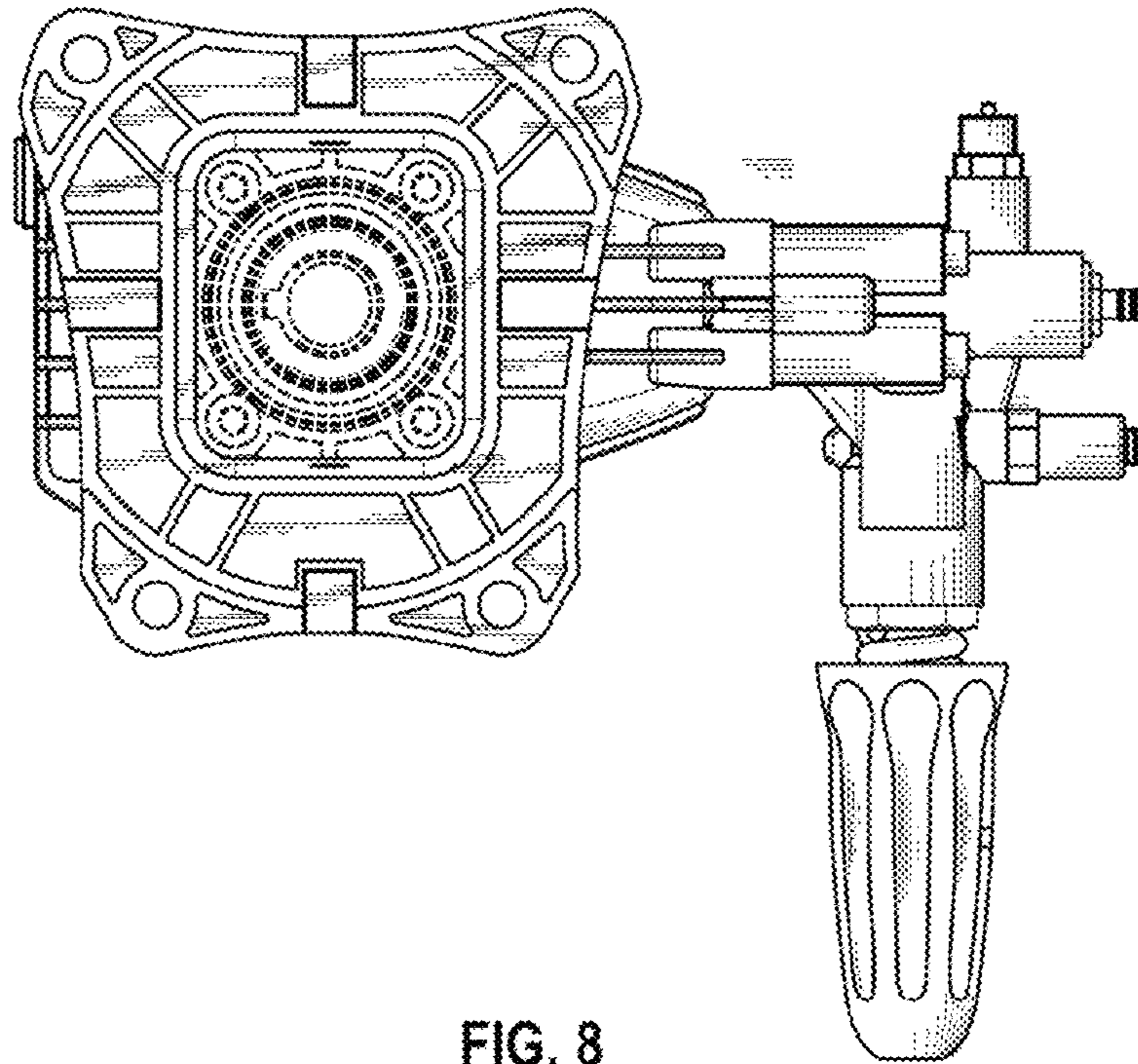


FIG. 8