



US00D726221S

(12) **United States Design Patent**
Gomez et al.

(10) **Patent No.:** **US D726,221 S**
(45) **Date of Patent:** **** Apr. 7, 2015**

(54) **DISPLAY SCREEN WITH ANIMATED GRAPHICAL USER INTERFACE**

(71) Applicant: **Microsoft Corporation**, Redmond, WA (US)

(72) Inventors: **Harold S. Gomez**, Seattle, WA (US);
Joy Yun-Jung Chen, Redmond, WA (US)

(73) Assignee: **Microsoft Corporation**, Redmond, WA (US)

(**) Term: **14 Years**

(21) Appl. No.: **29/456,157**

(22) Filed: **May 29, 2013**

(51) **LOC (10) Cl.** **14-04**

(52) **U.S. Cl.**
USPC **D14/492**

(58) **Field of Classification Search**
CPC G06F 3/0482; G06F 8/34; G06F 3/04817;
G06F 3/048
USPC D14/485-495; 715/703, 715, 727, 763,
715/773, 776, 779, 839, 810, 811, 812, 813,
715/814, 815, 821, 825, 828, 833, 835, 836,
715/837, 838, 840, 846, 847, 864, 963, 974,
715/976, 977

See application file for complete search history.

(56) **References Cited**

U.S. PATENT DOCUMENTS

D671,558 S *	11/2012	Anzures et al.	D14/489
D687,452 S *	8/2013	Anzures et al.	D14/486
D687,462 S *	8/2013	Anzures	D14/492
D703,695 S *	4/2014	Anzures et al.	D14/492
D703,696 S *	4/2014	Anzures et al.	D14/492
D704,217 S *	5/2014	Jin et al.	D14/492

D704,218 S *	5/2014	Ahn et al.	D14/492
D704,219 S *	5/2014	Ahn et al.	D14/492
D704,220 S *	5/2014	Lim et al.	D14/492
D708,639 S *	7/2014	Lee et al.	D14/492
D709,912 S *	7/2014	Aburatowski et al.	D14/489
D714,811 S *	10/2014	Kim et al.	D14/485
2014/0089833 A1 *	3/2014	Hwang et al.	715/769

* cited by examiner

Primary Examiner — Angela J Lee

(74) *Attorney, Agent, or Firm* — Banner & Witcoff, Ltd.

(57) **CLAIM**

The ornamental design for a display screen with animated graphical user interface, as shown and described.

DESCRIPTION

FIG. 1 is the first image in a sequence for a display screen with animated graphical user interface showing the new design; and

FIG. 2 is the second image thereof;

FIG. 3 is the third image thereof;

FIG. 4 is the fourth image thereof;

FIG. 5 is the fifth image thereof;

FIG. 6 is the sixth image thereof;

FIG. 7 is the seventh image thereof;

FIG. 8 is the eighth image thereof;

FIG. 9 is the ninth image thereof;

FIG. 10 is the tenth image thereof;

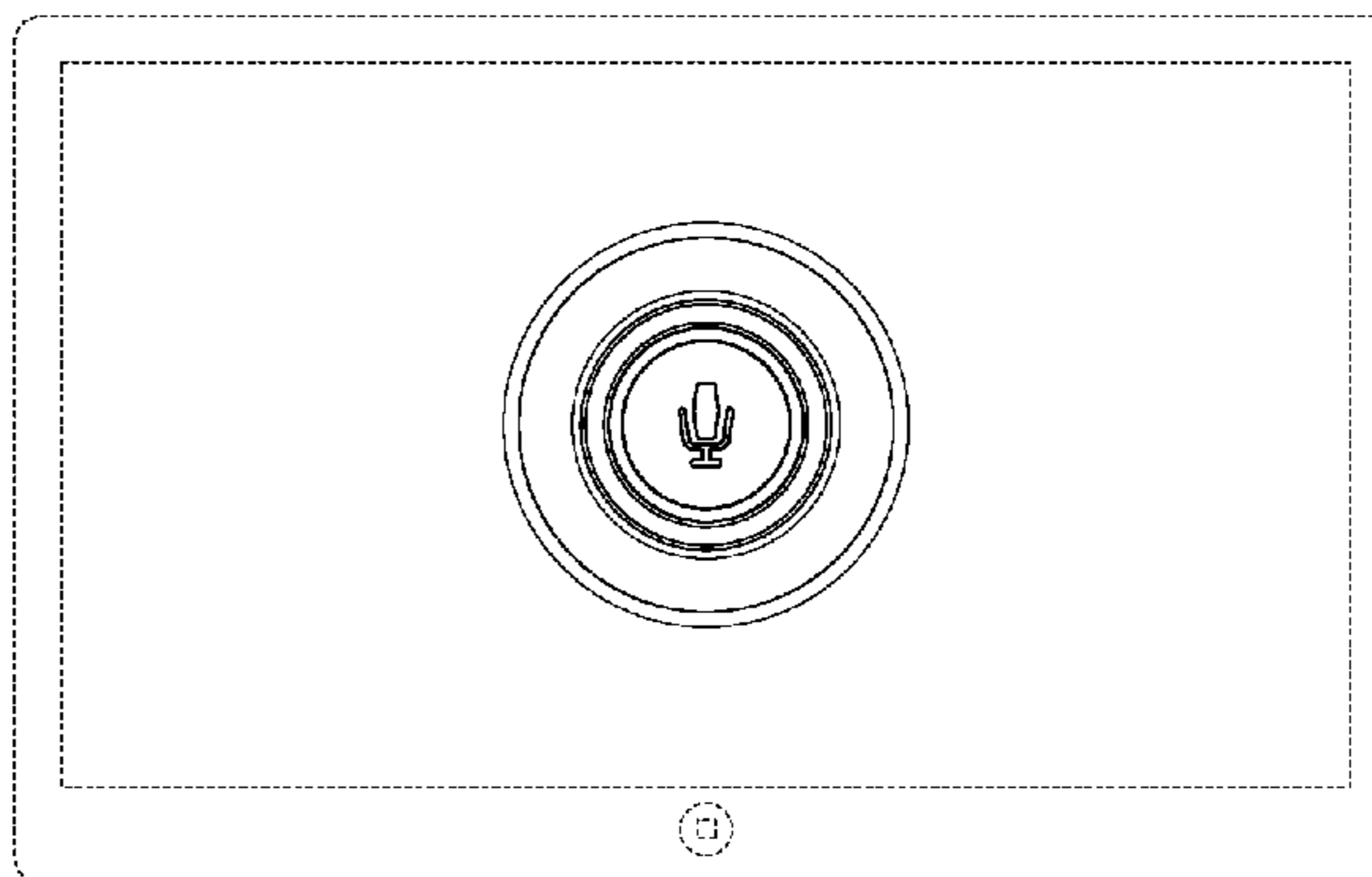
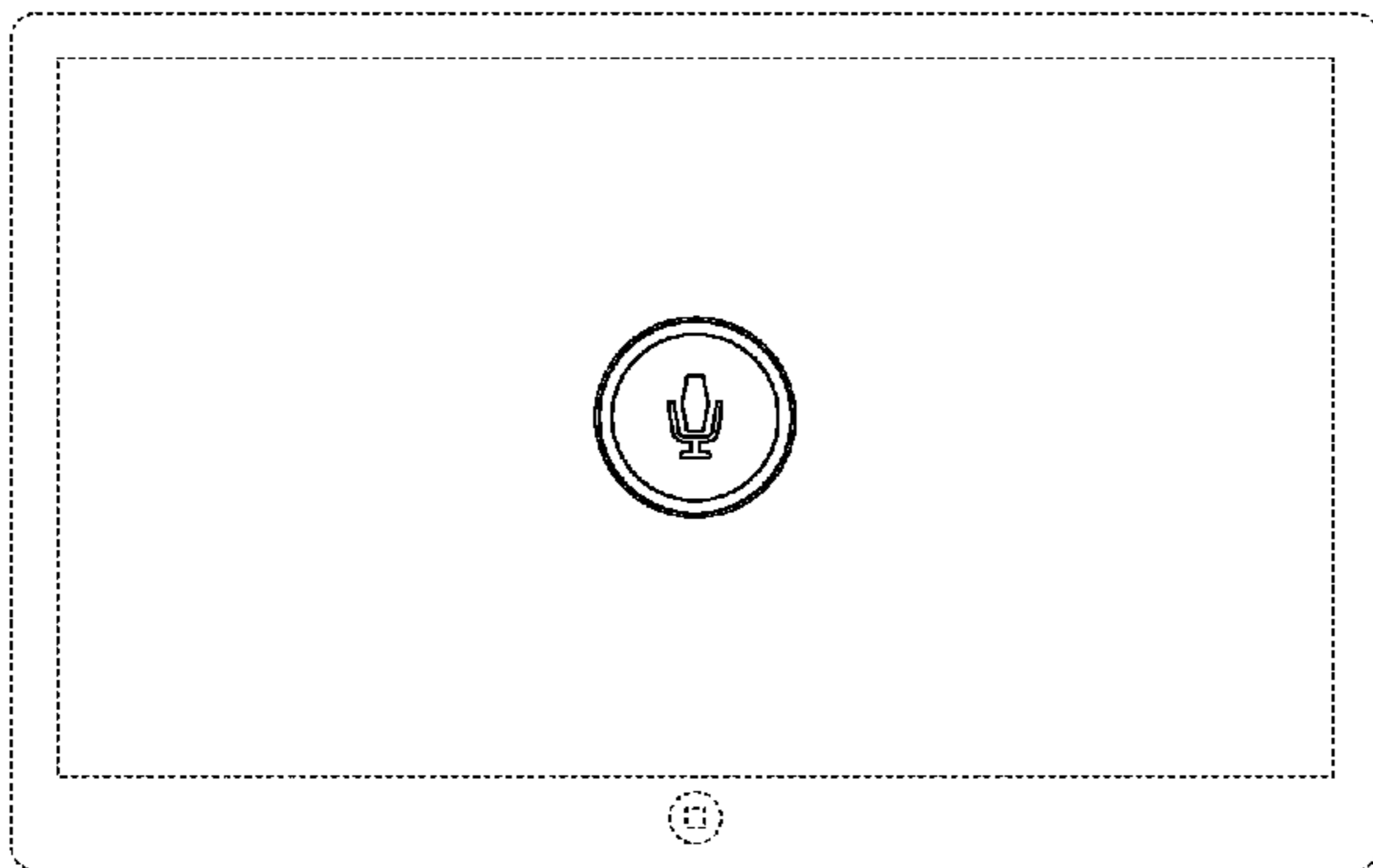
FIG. 11 is the eleventh image thereof;

FIG. 12 is the twelfth image thereof; and,

FIG. 13 is the thirteenth image thereof.

The appearance of the animated graphical user interface sequentially transitions between the images shown in FIGS. 1-13. The process or period in which one image transitions to another forms no part of the claimed design. The broken-line showing of the remainder of the display screen is for environmental purposes only and forms no part of the claimed design.

1 Claim, 13 Drawing Sheets



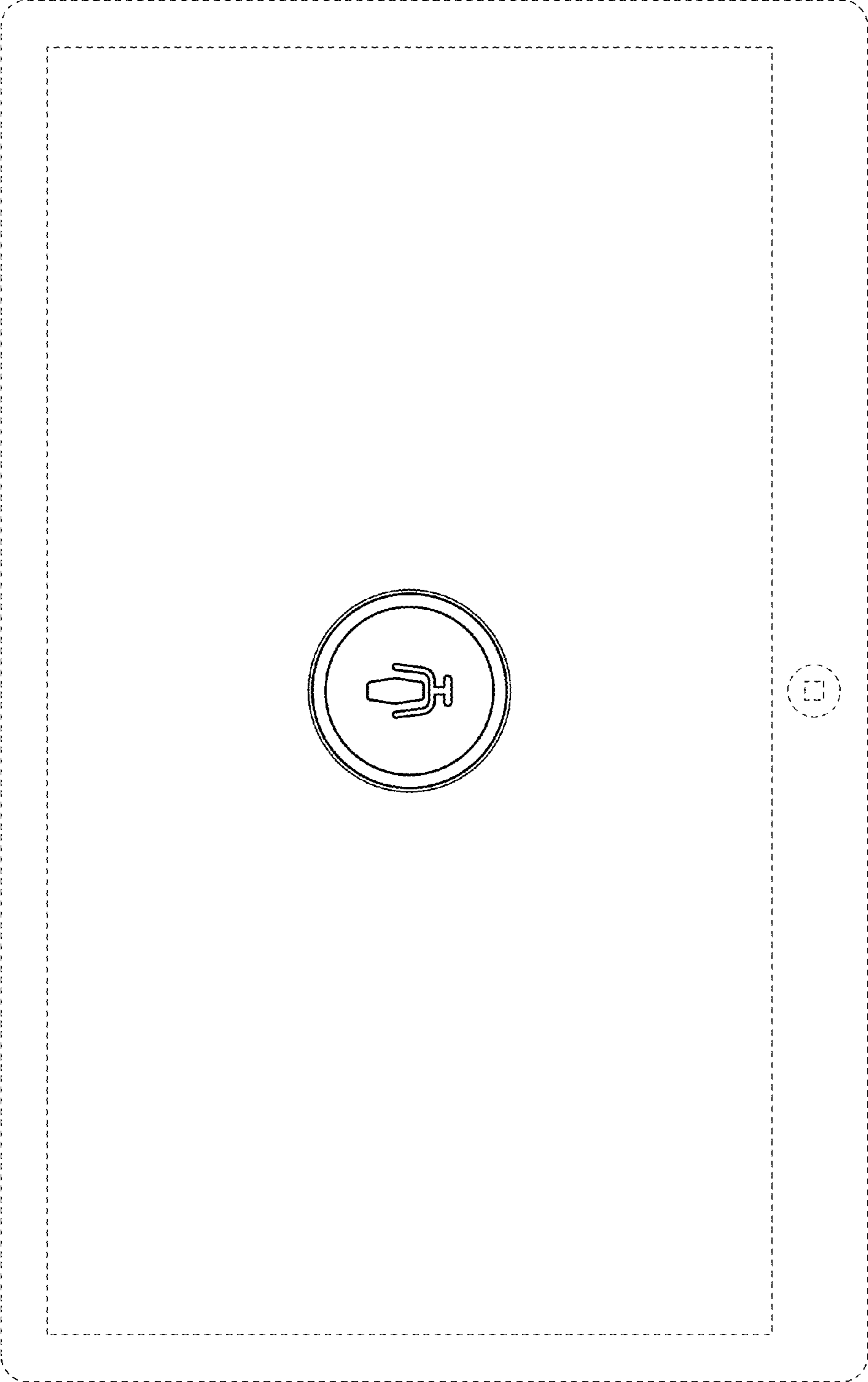


FIGURE 1

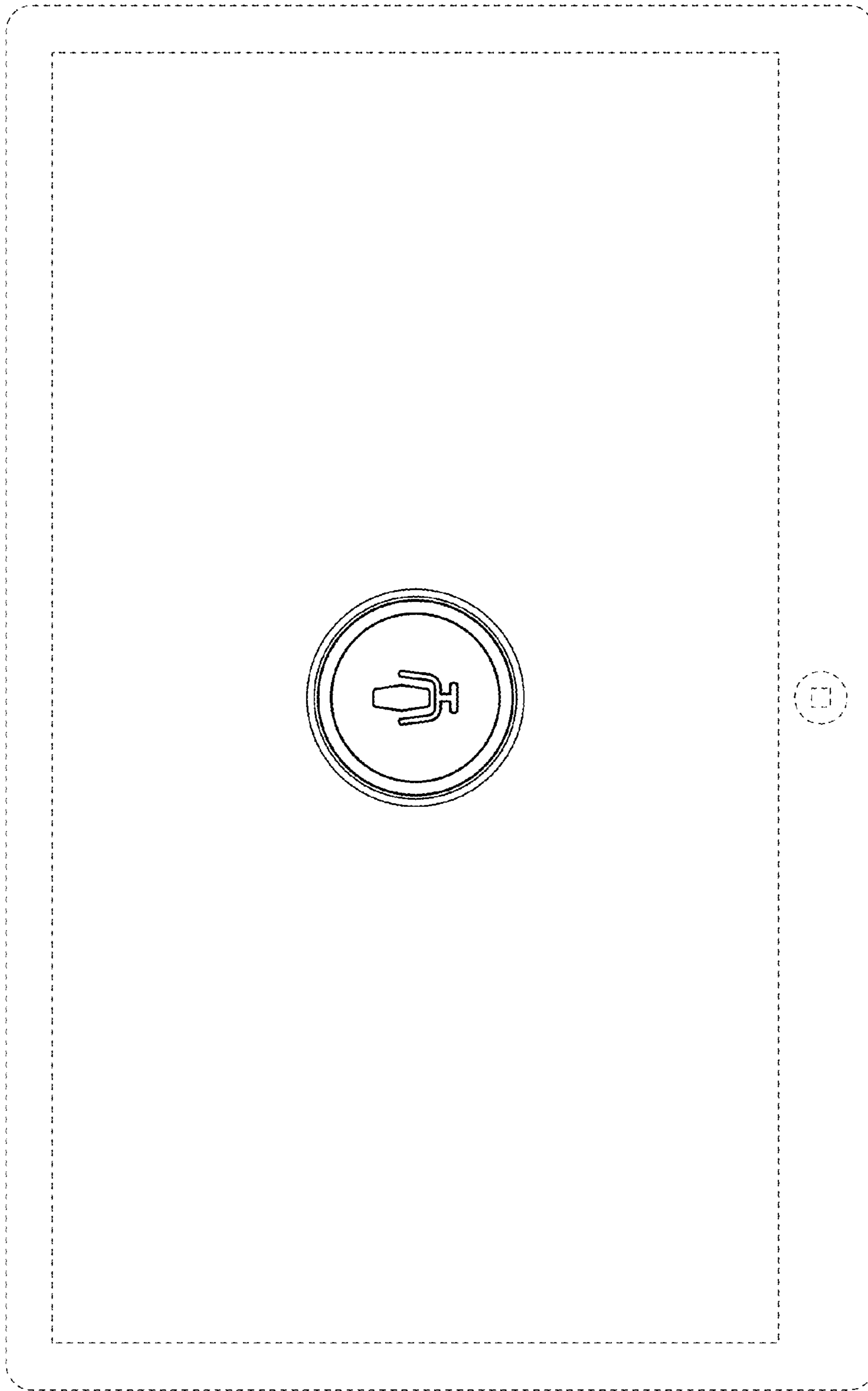


FIGURE 2

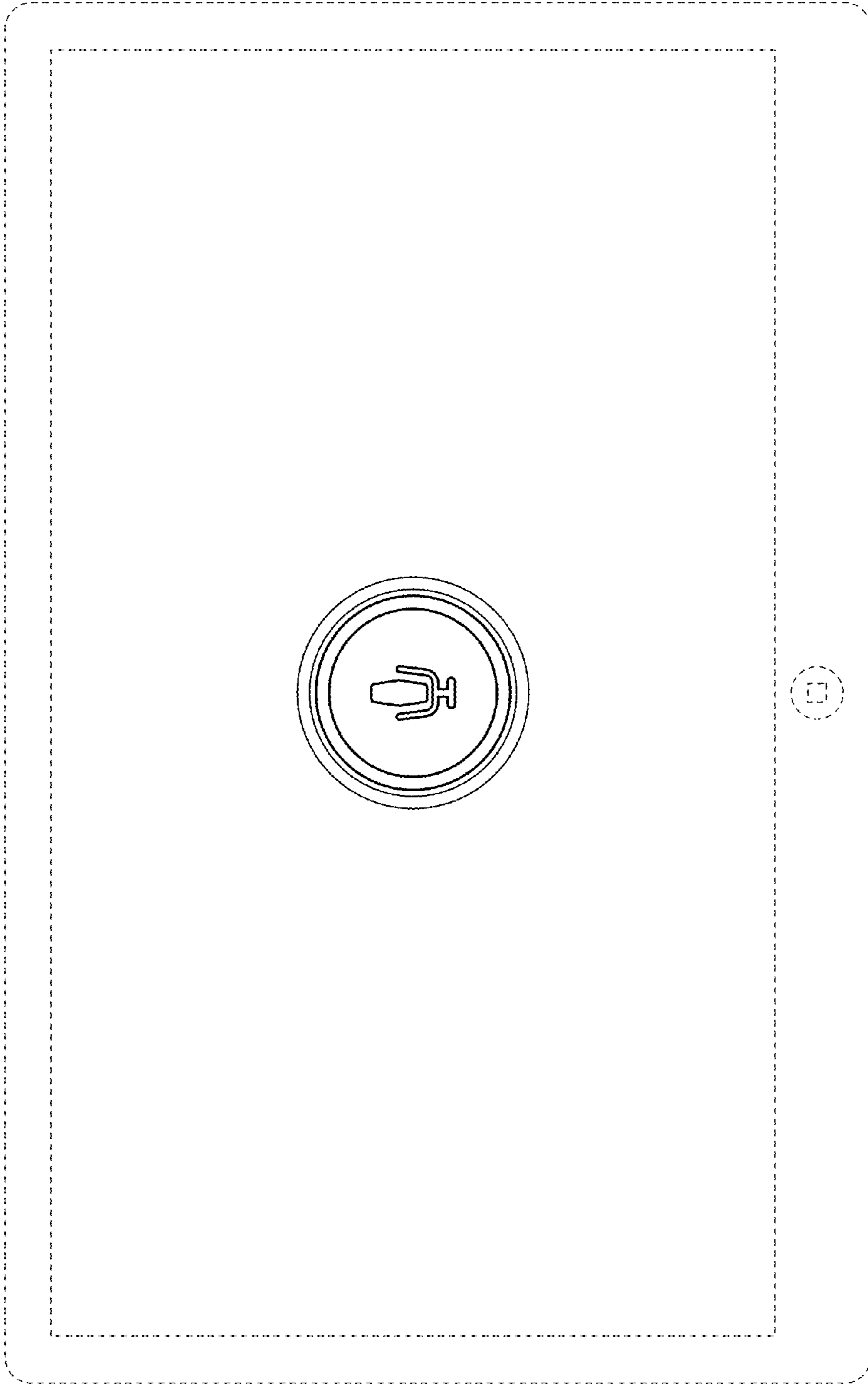


FIGURE 3

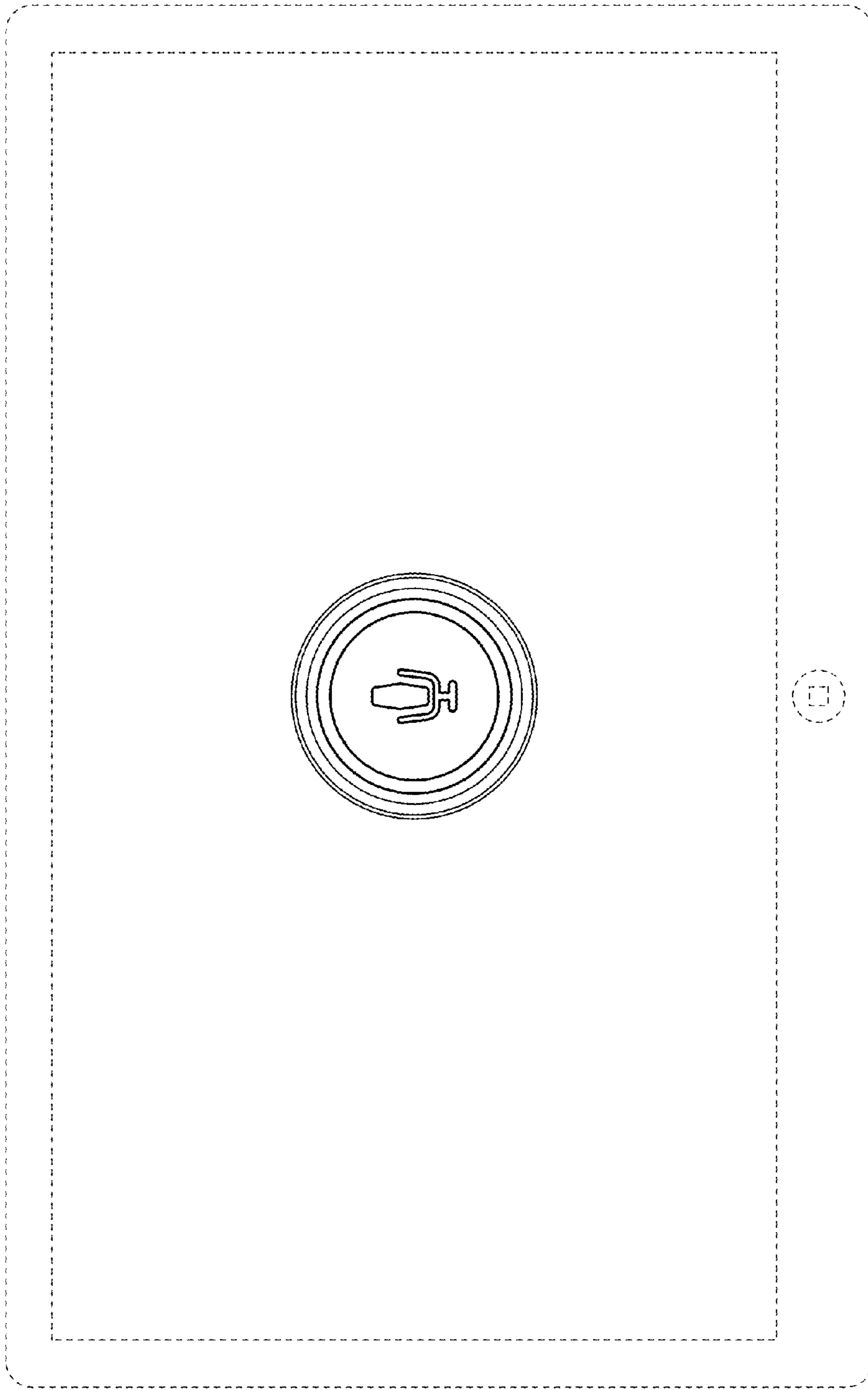


FIGURE 4

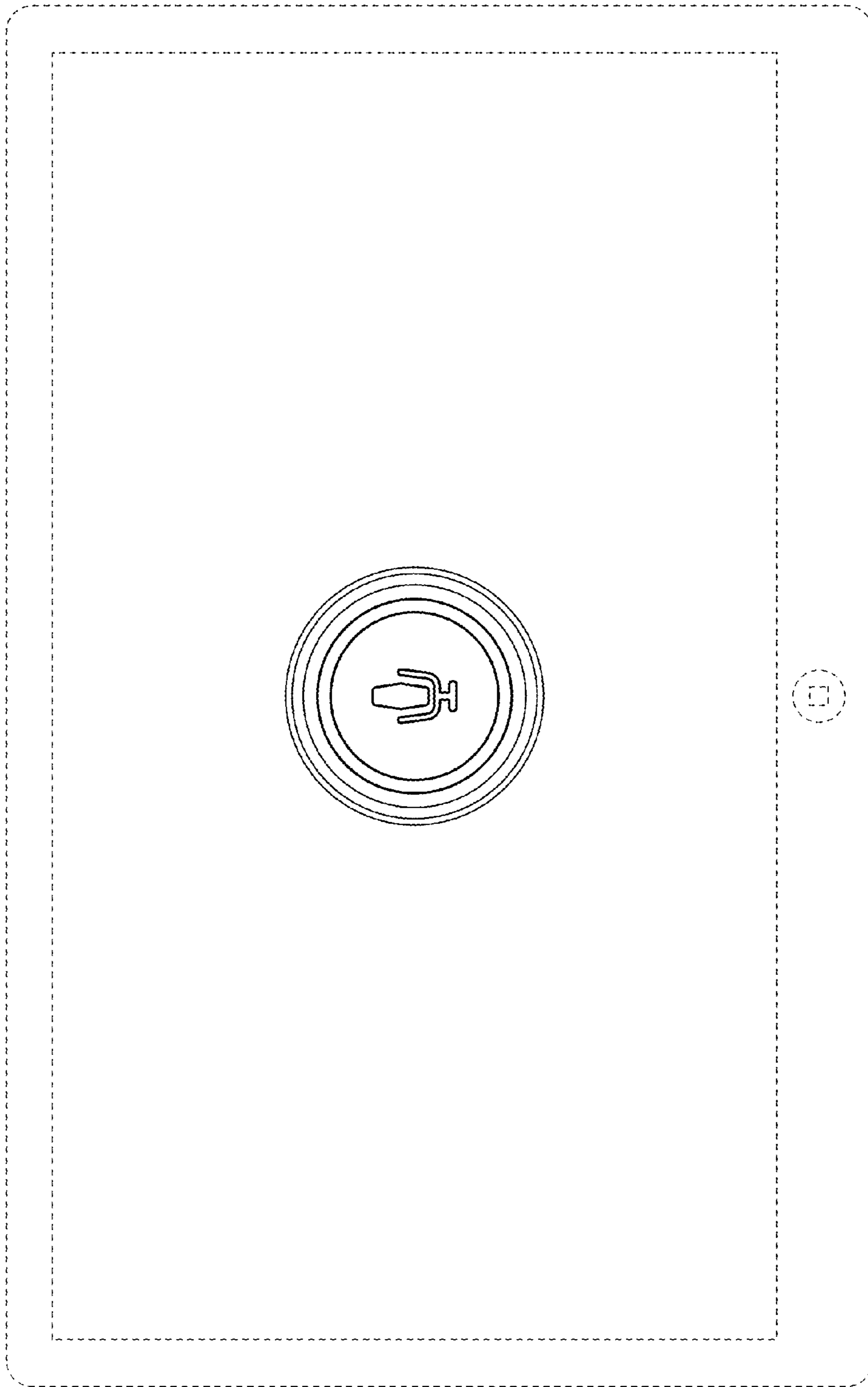


FIGURE 5

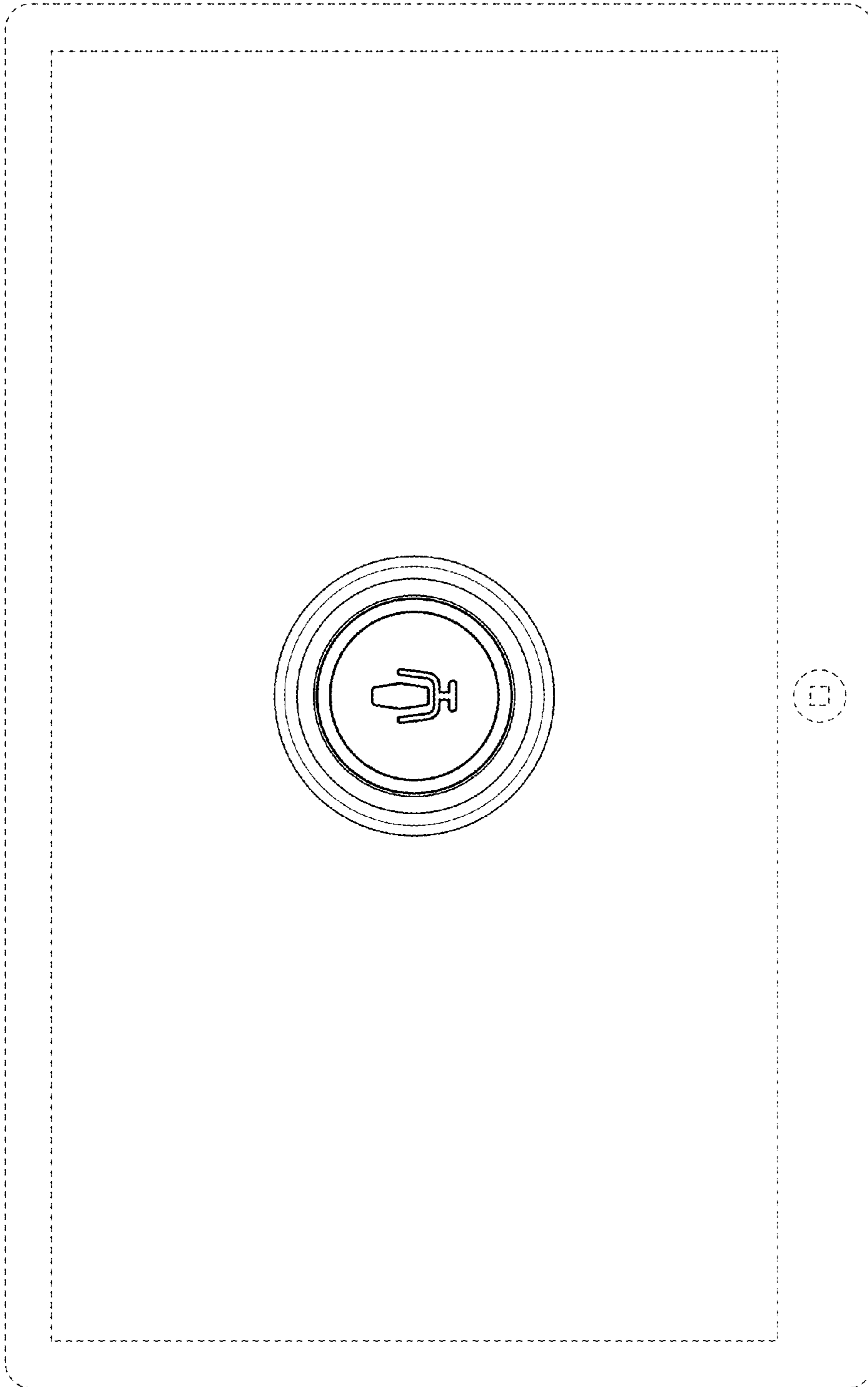


FIGURE 6

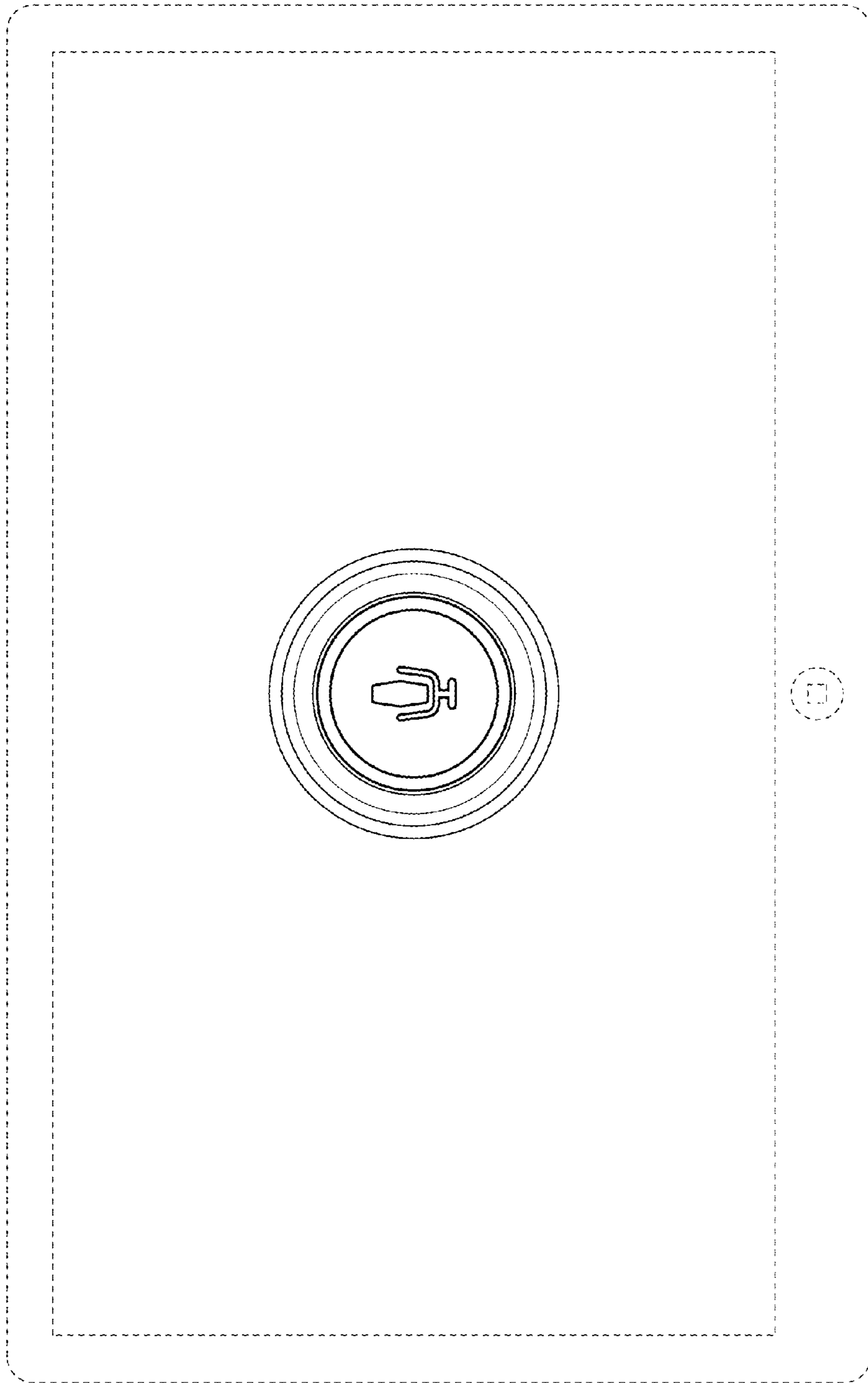


FIGURE 7

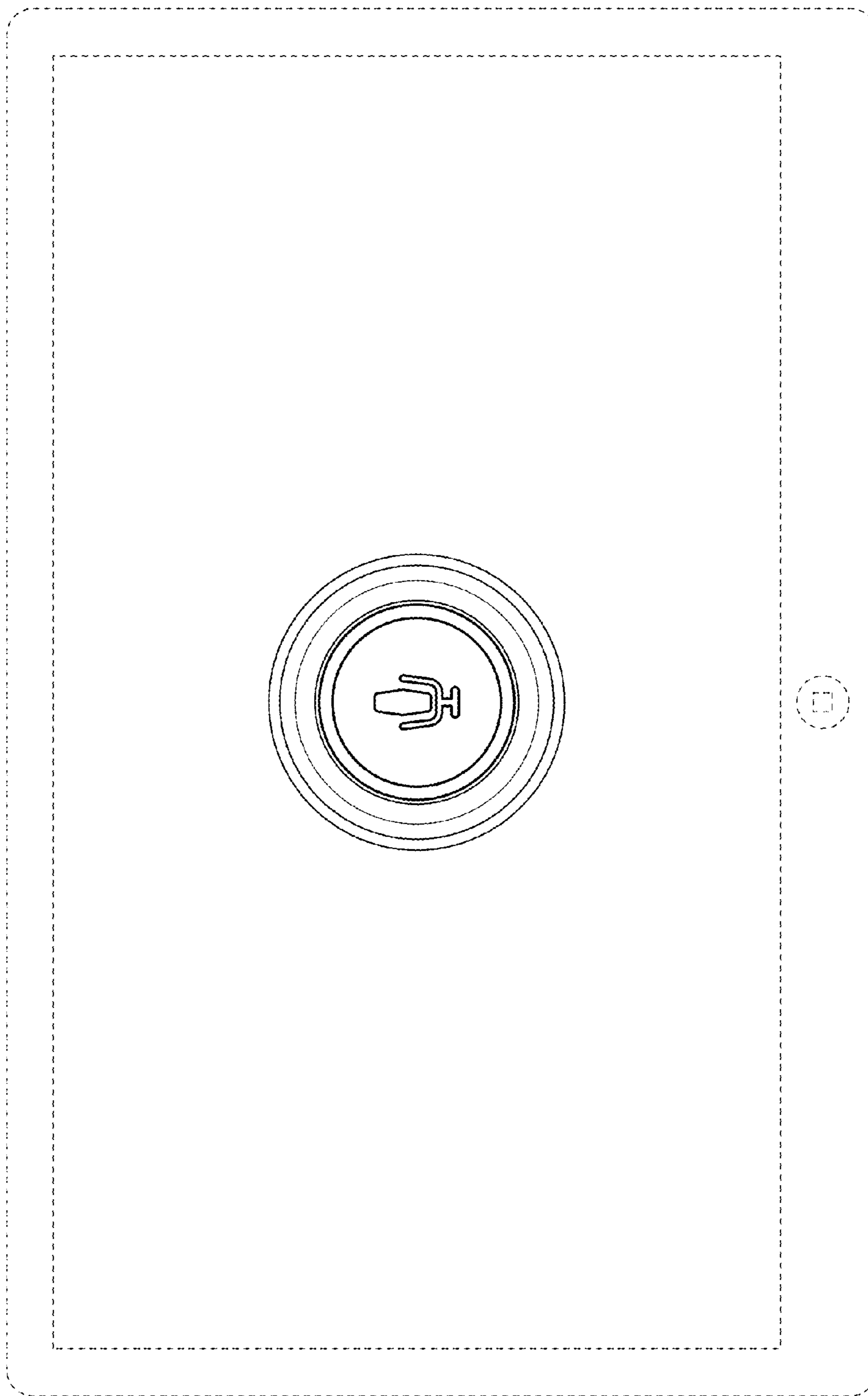


FIGURE 8

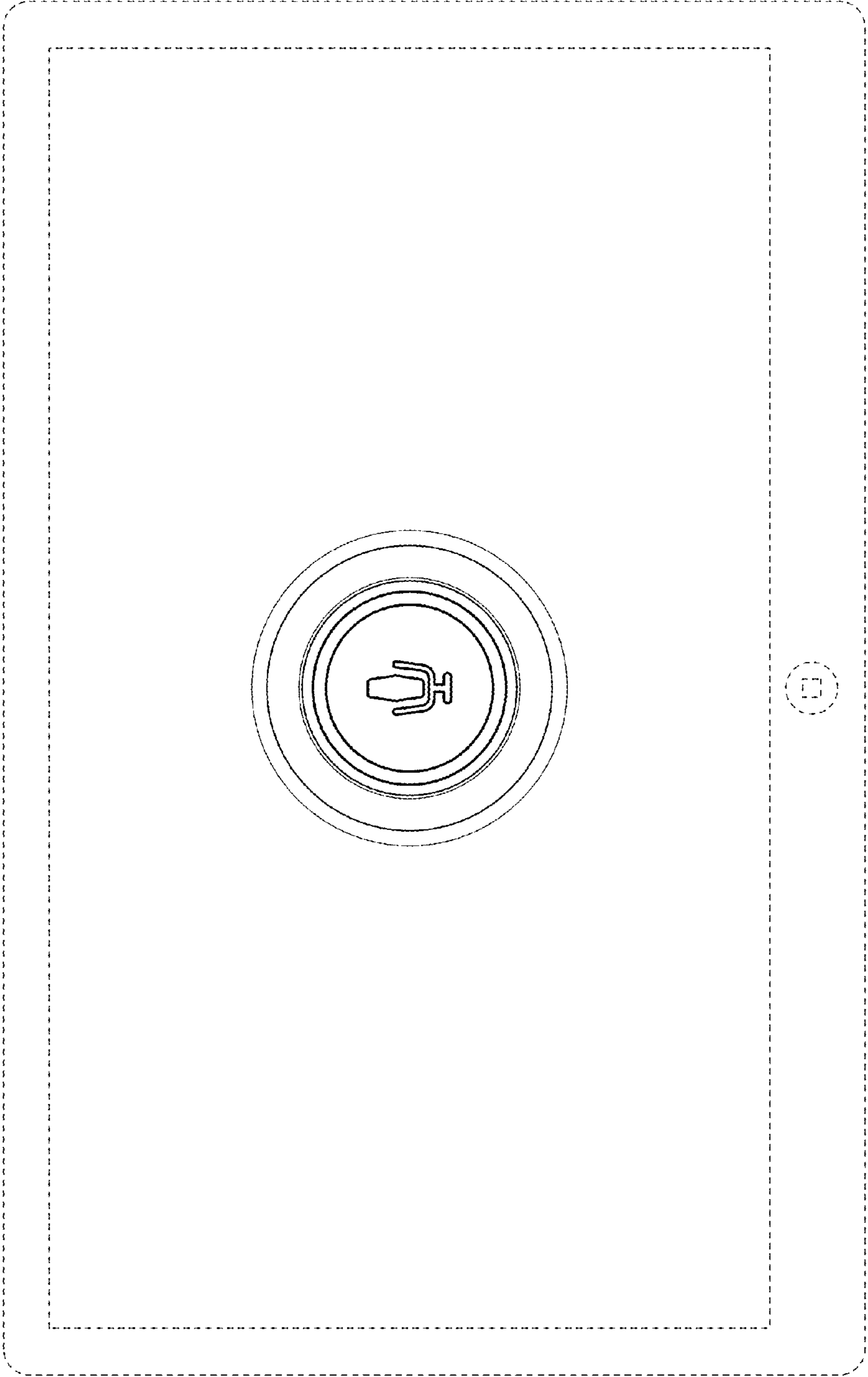


FIGURE 9

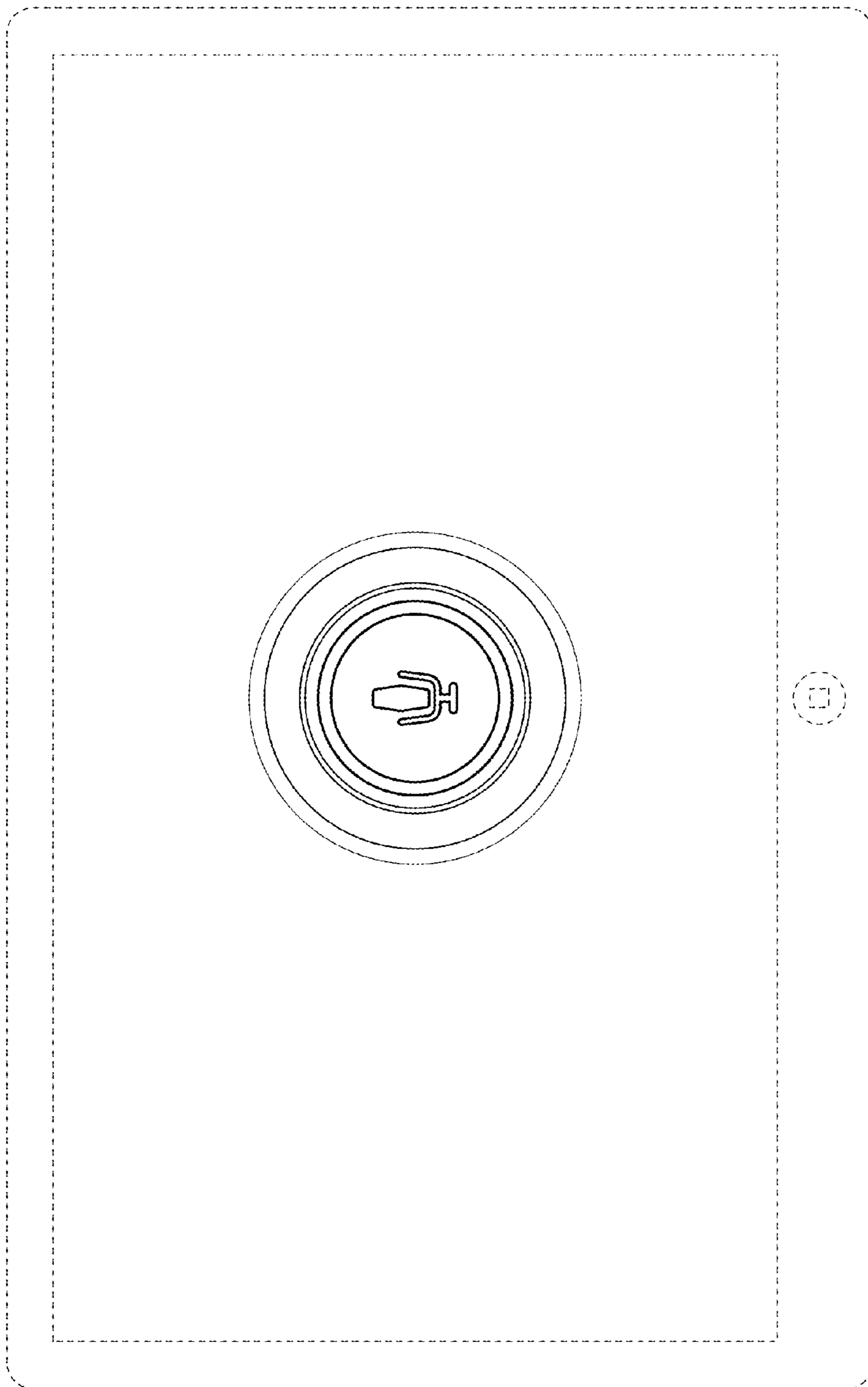


FIGURE 10

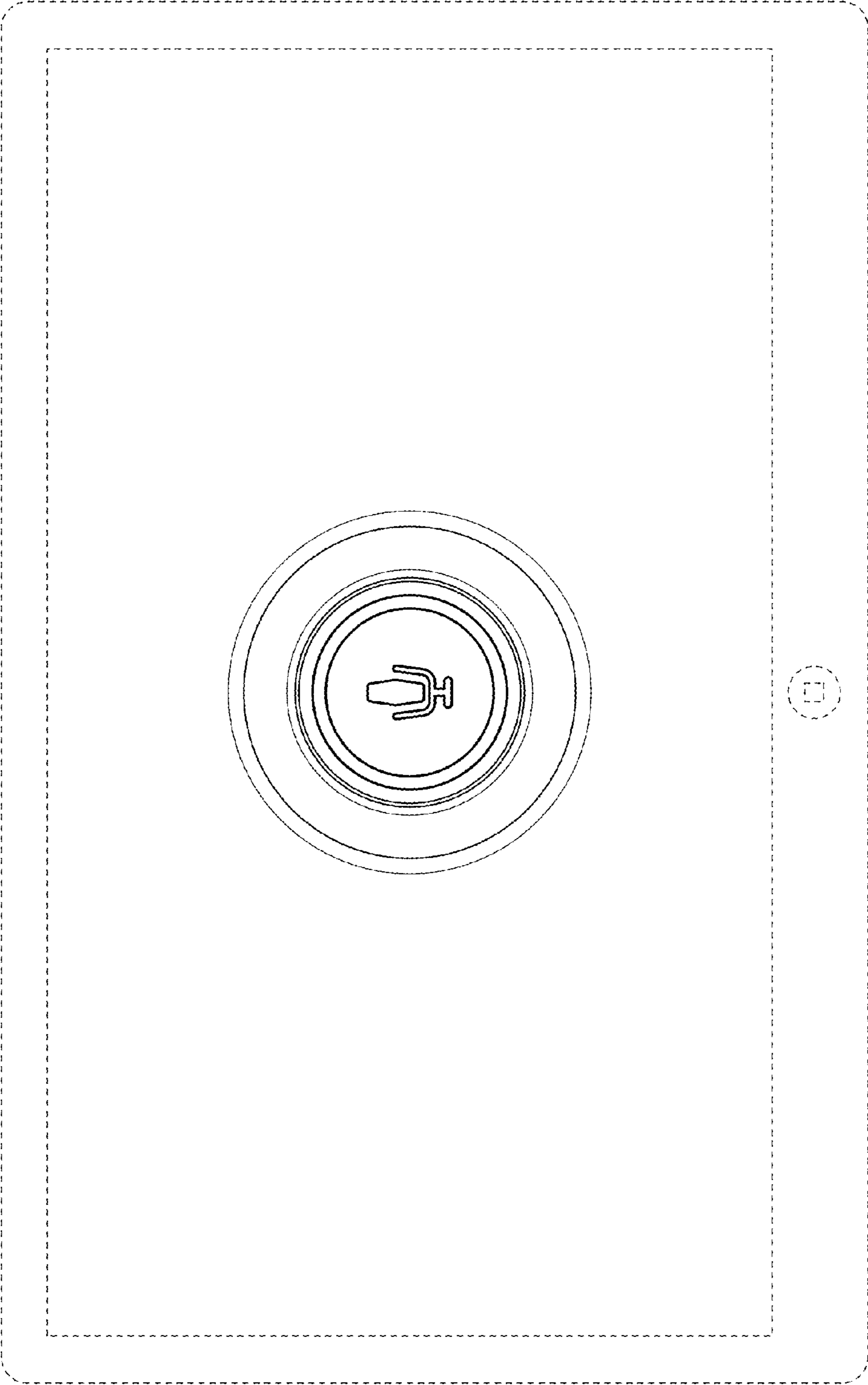


FIGURE 11

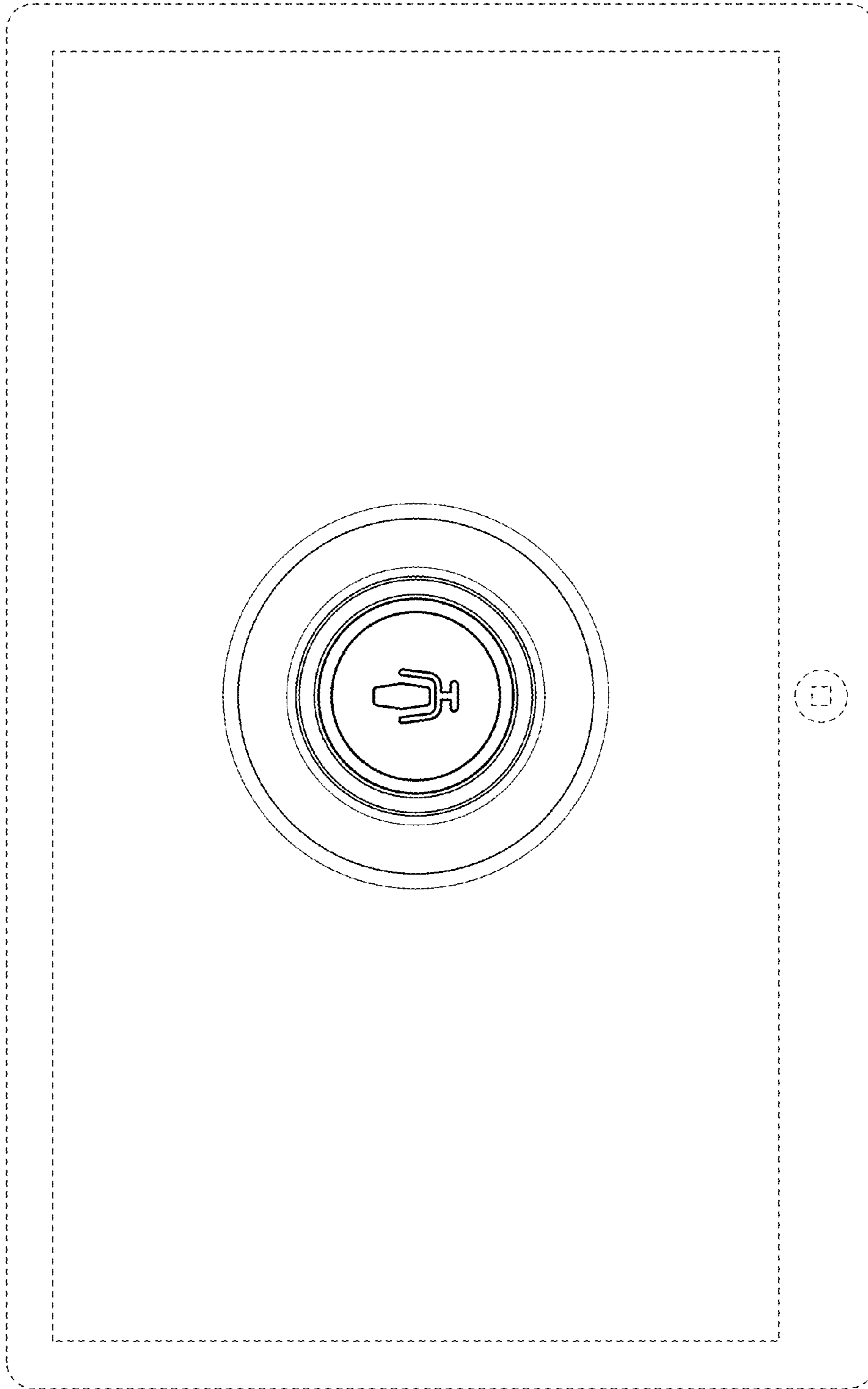


FIGURE 12

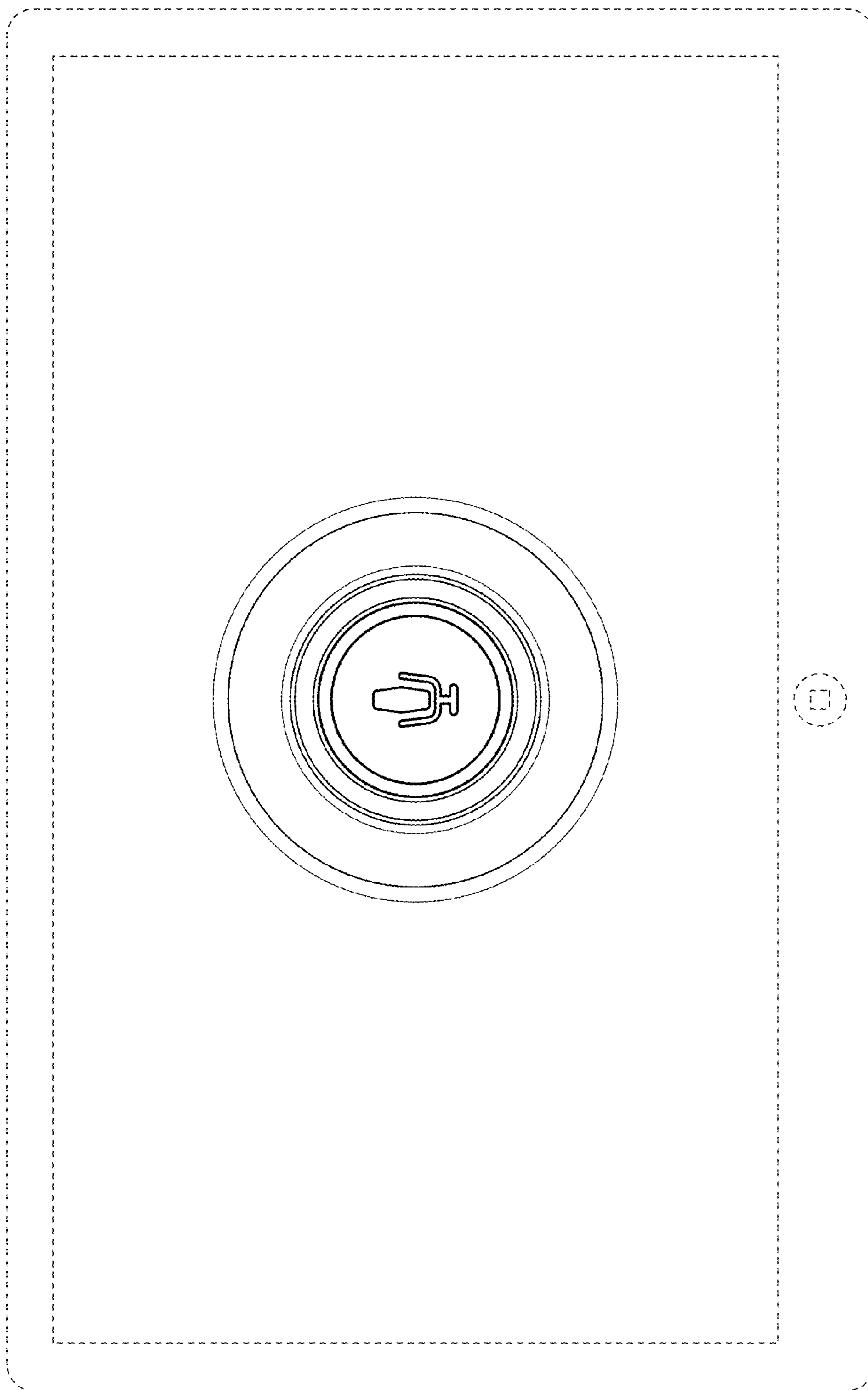


FIGURE 13