

US00D726195S

(12) **United States Design Patent**
Snyder et al.

(10) **Patent No.:** **US D726,195 S**

(45) **Date of Patent:** **** Apr. 7, 2015**

(54) **STAND FOR TELEVISION RECEIVER**

(56) **References Cited**

(71) Applicant: **Samsung Electronics Co., Ltd.**,
Suwon-si (KR)

U.S. PATENT DOCUMENTS

(72) Inventors: **Dan Snyder**, San Francisco, CA (US);
Liam Adelman, San Francisco, CA
(US); **Noah Murphy-Reinhertz**, San
Francisco, CA (US); **Yves Behar**, San
Francisco, CA (US); **Dong Hee Won**,
Seoul (KR)

D201,026	S	*	5/1965	Weise	D6/419
D489,342	S	*	5/2004	Campbell et al.	D14/130
D535,265	S	*	1/2007	Inoue	D14/126
D620,901	S	*	8/2010	Won et al.	D14/126
D656,115	S	*	3/2012	Kim et al.	D14/126
D656,471	S	*	3/2012	Han et al.	D14/126
D656,913	S	*	4/2012	Ann et al.	D14/126
D680,106	S	*	4/2013	Hwangbo et al.	D14/239
D709,842	S	*	7/2014	Lee et al.	D14/126
D712,366	S	*	9/2014	Kim et al.	D14/126
D714,757	S	*	10/2014	Lee et al.	D14/209.1

(73) Assignee: **Samsung Electronics Co., Ltd.**,
Suwon-si (KR)

* cited by examiner

(**) Term: **14 Years**

Primary Examiner — Deanna L Pratt

(21) Appl. No.: **29/467,921**

Assistant Examiner — Katie Mroczka

(22) Filed: **Sep. 25, 2013**

(74) *Attorney, Agent, or Firm* — NSIP Law

(30) **Foreign Application Priority Data**

(57) **CLAIM**

Mar. 25, 2013 (KR) 30-2013-0015153

The ornamental design for a stand for television receiver, as shown and described.

(51) **LOC (10) Cl.** **08-07**

DESCRIPTION

(52) **U.S. Cl.**

USPC **D14/451**

(58) **Field of Classification Search**

CPC H03M 1/00; H03M 2201/4135; G06F
3/0412; G02F 1/13338; H04N 17/00; H04N
17/004; H04N 17/04

USPC D14/211, 238, 251, 253, 371–382,
D14/125–129, 336, 337, 447, 448, 451, 452,
D14/492, 450, 239; 341/12; 345/104, 156,
345/168, 173; 348/180, 184, 325, 739;
349/1, 2, 11, 62; 361/679.05–679.07,
361/679.21; D6/300, 310–313, 308, 708

See application file for complete search history.

FIG. 1 is a front perspective view of a stand for television receiver showing our new design;
FIG. 2 is a front view thereof;
FIG. 3 is a rear view thereof;
FIG. 4 is a left-side view thereof;
FIG. 5 is a right-side view thereof;
FIG. 6 is a top view thereof;
FIG. 7 is a bottom view thereof; and,
FIG. 8 is a rear perspective view thereof.
The broken lines are for environmental purposes only and form no part of the claimed design.

1 Claim, 8 Drawing Sheets

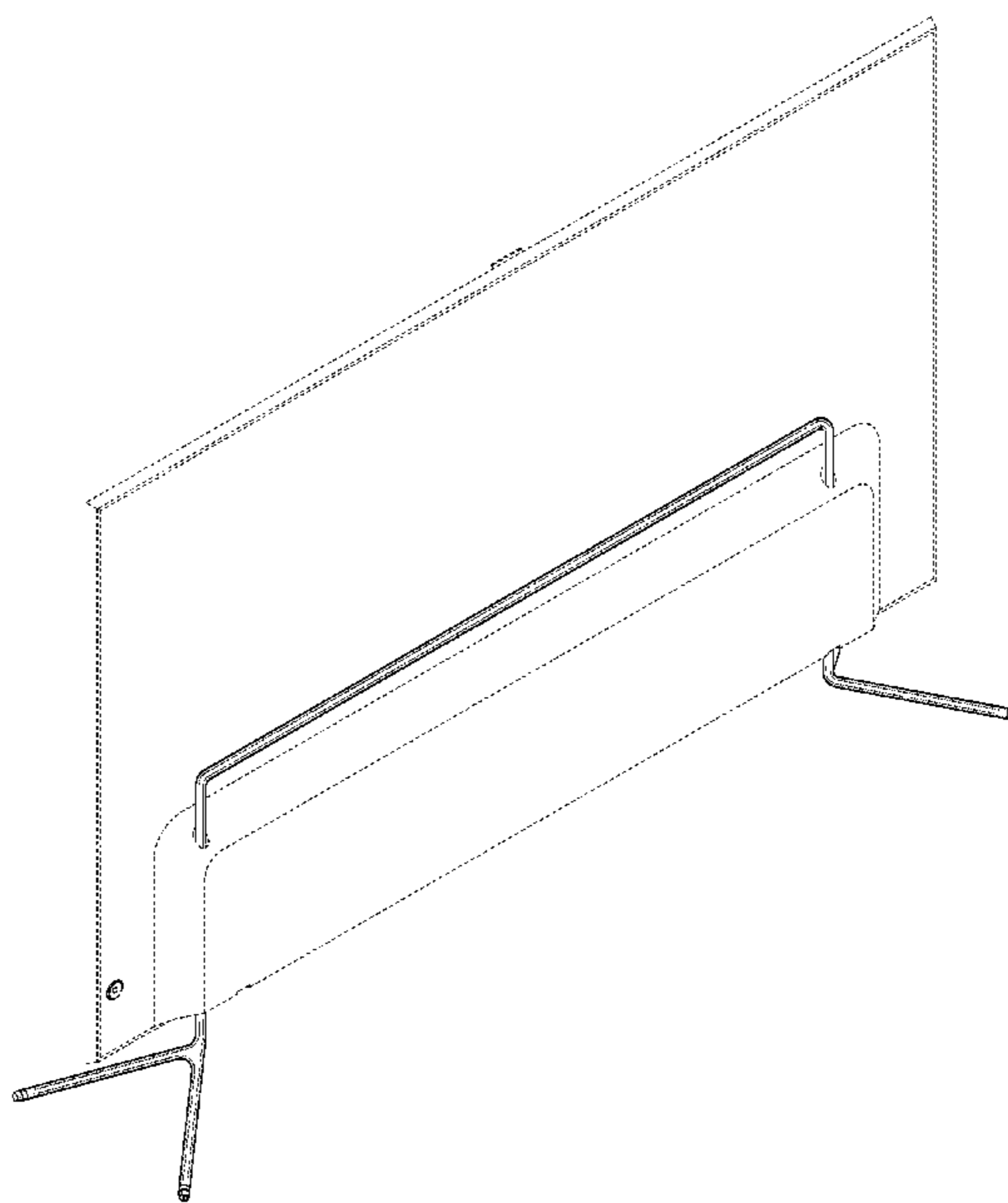


FIG. 1

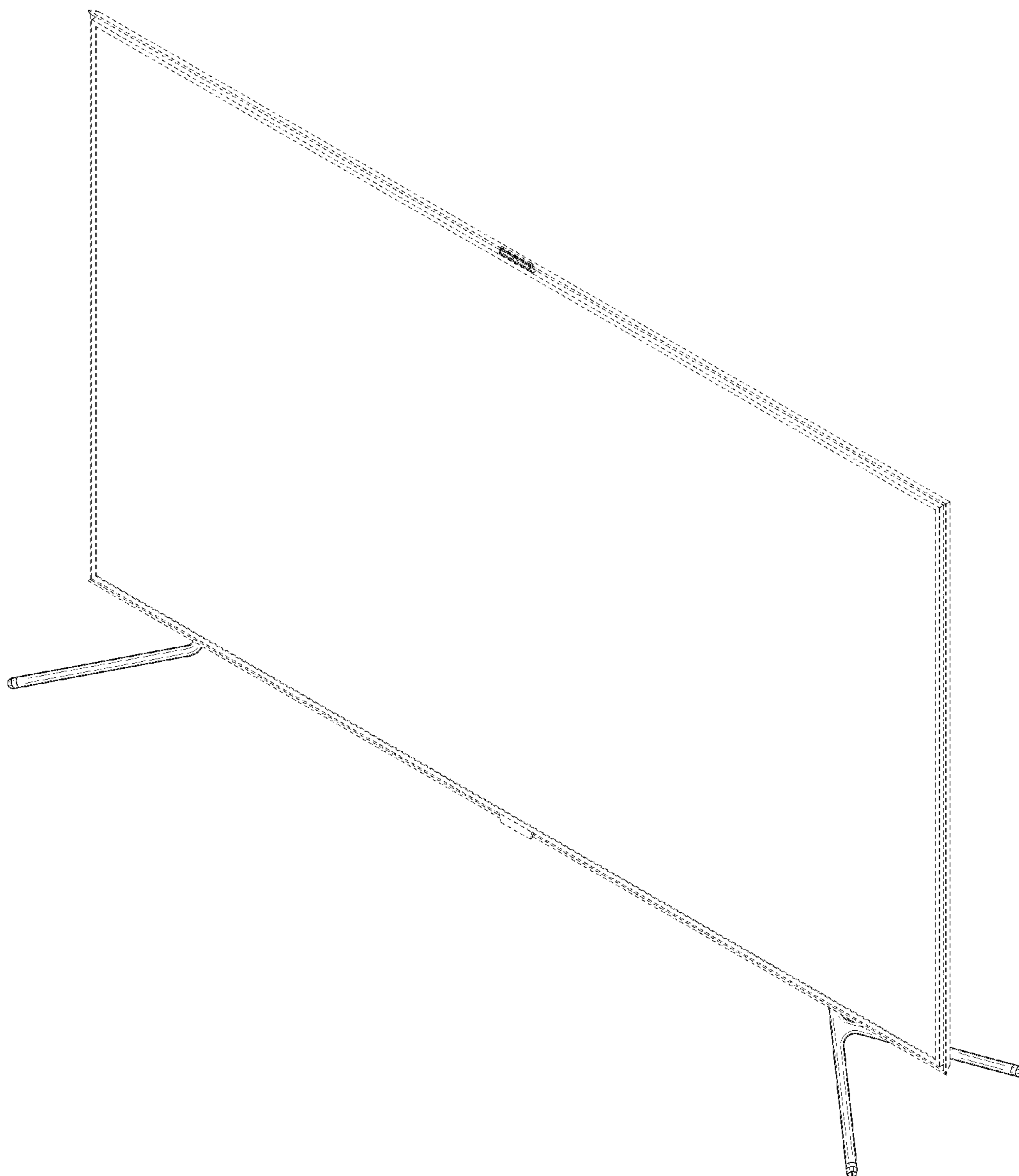


FIG. 2

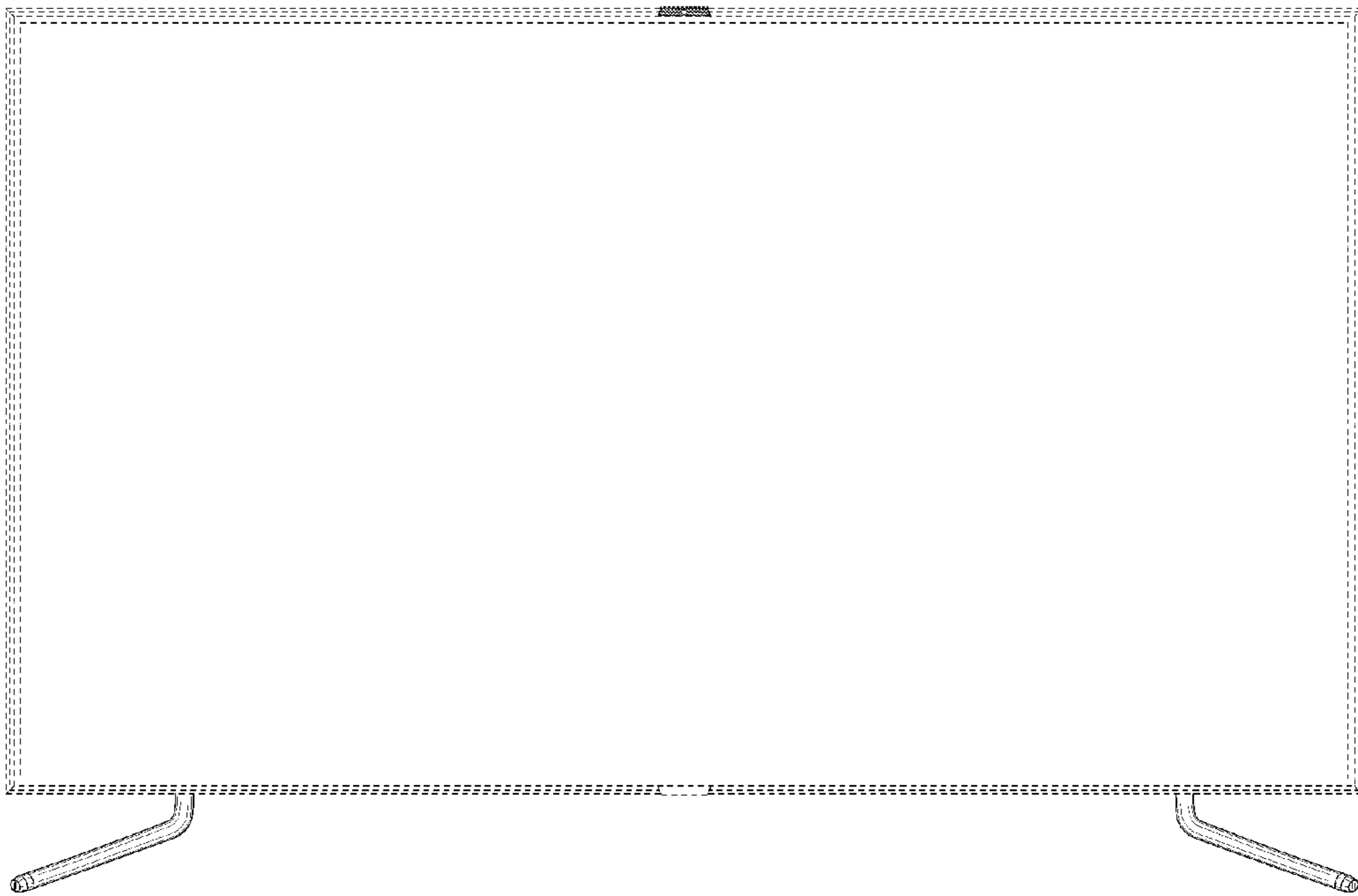


FIG. 3

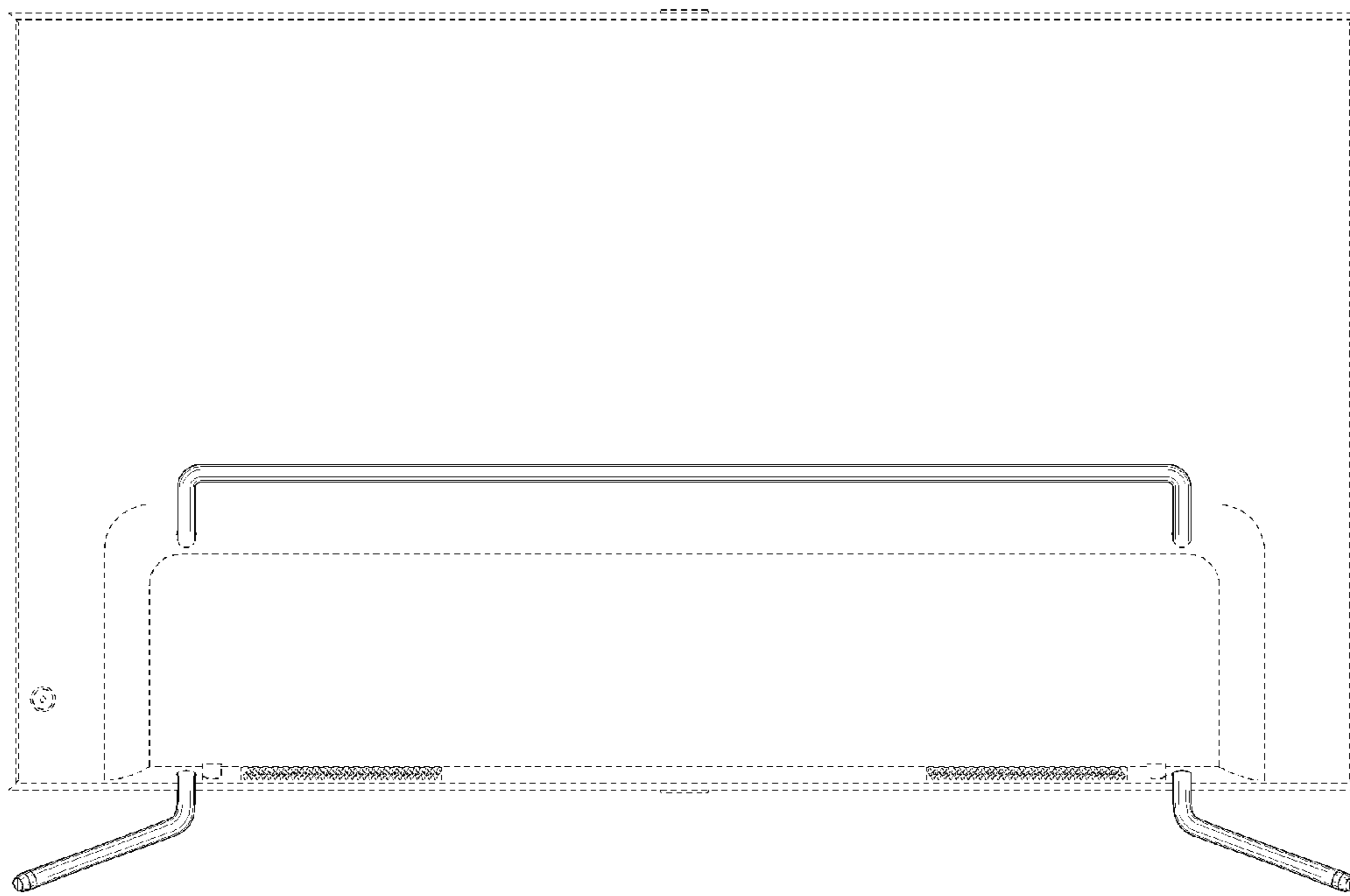


FIG. 4

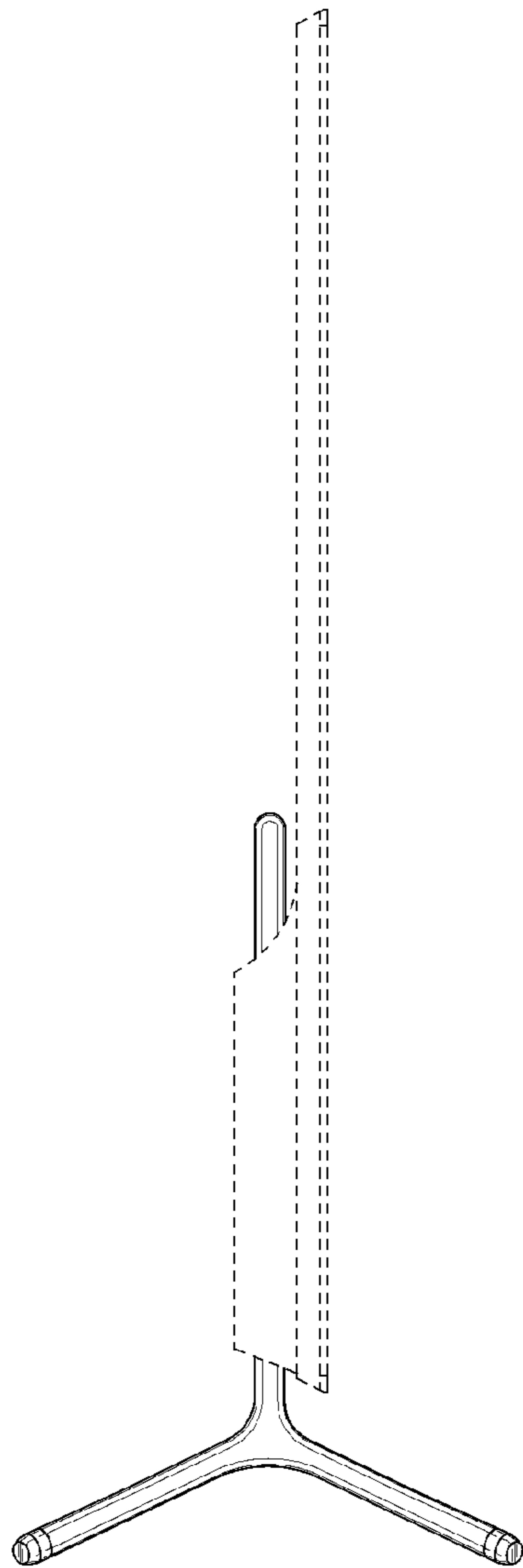


FIG. 5

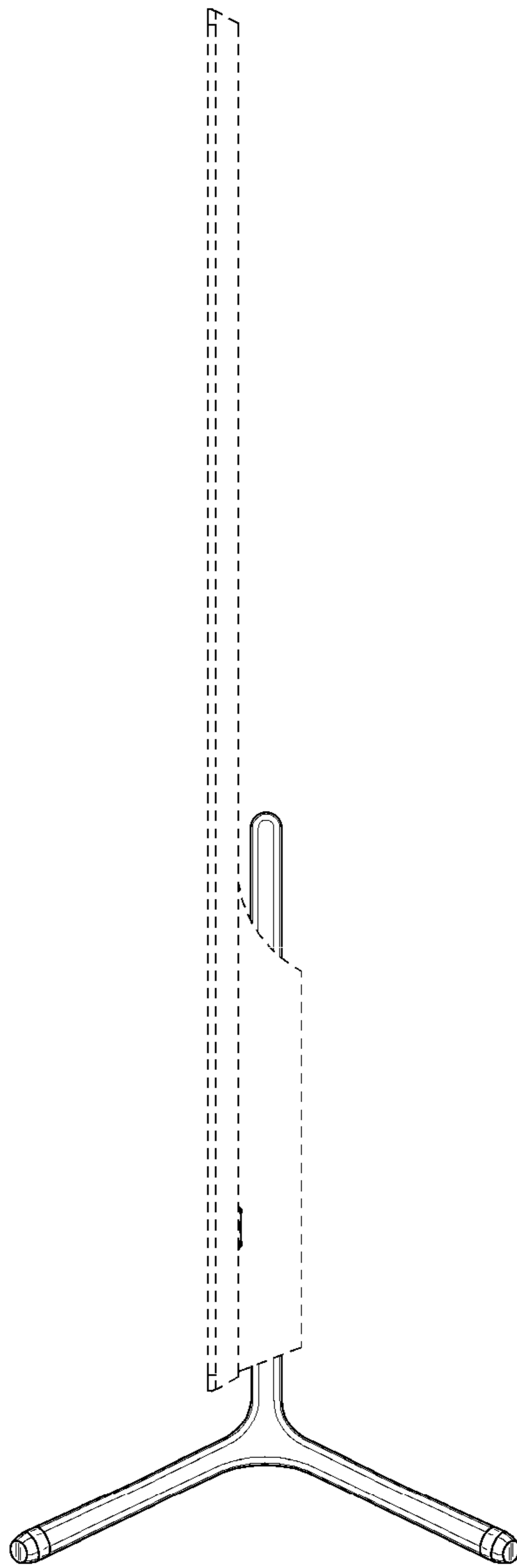


FIG. 6

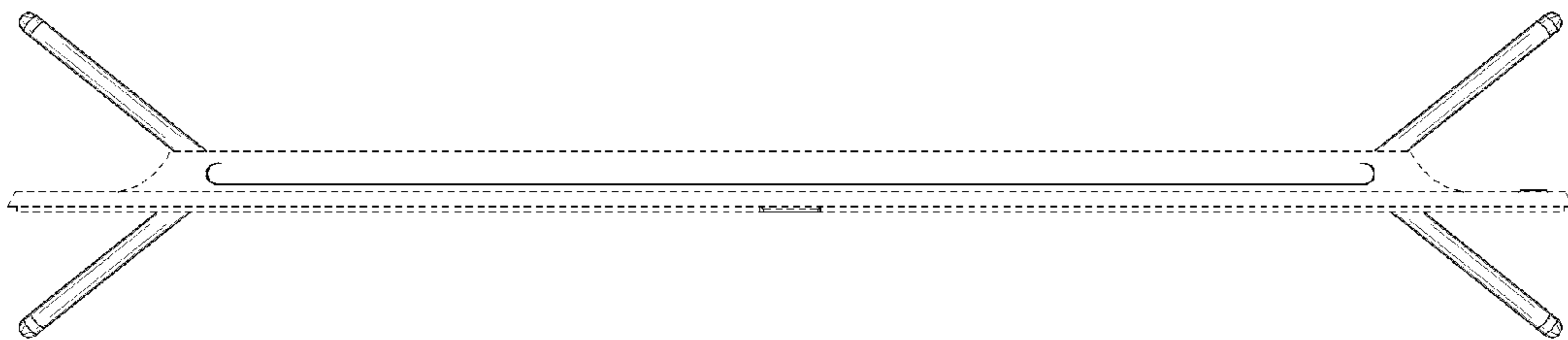


FIG. 7

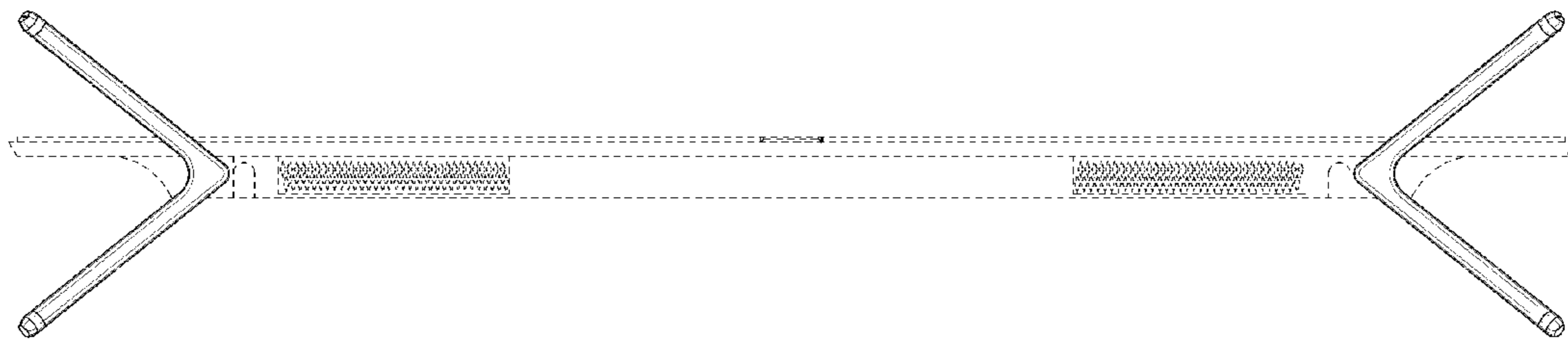


FIG. 8

