



US00D726194S

(12) **United States Design Patent**
Feng

(10) **Patent No.:** **US D726,194 S**

(45) **Date of Patent:** **** Apr. 7, 2015**

(54) **COMPUTER TABLET HOLDER AND PEN
HOLDER FOR A ROUND STORAGE
OTTOMAN LID**

Primary Examiner — Angela J Lee

(74) *Attorney, Agent, or Firm* — Michael D. Eisenberg

(71) Applicant: **Wu Jian Feng**, Guangdong (CN)

(57) **CLAIM**

The ornamental design for a computer tablet holder and pen holder for a round storage ottoman lid, as shown and described.

(72) Inventor: **Wu Jian Feng**, Guangdong (CN)

(**) Term: **14 Years**

DESCRIPTION

(21) Appl. No.: **29/439,942**

FIG. 1 is a perspective view of a round ottoman and lid constituting an environment for a computer tablet holder and pen holder;

(22) Filed: **Dec. 17, 2012**

FIG. 2 is an exploded side view of the computer tablet holder and pen holder attached to an underside of a lid of a round storage ottoman, the view from the side at other angles being identical;

(51) **LOC (10) Cl.** **08-07**

(52) **U.S. Cl.**
USPC **D14/447**

FIG. 3 is a bottom view of the round ottoman constituting an environment for the computer tablet holder and pen holder;

(58) **Field of Classification Search**
USPC D14/447, 432, 434, 439, 440, 451, 452,
D14/457, 460, 461, 238.1, 250, 251, 253;
D3/218; D6/406.3, 406.4, 406.5,
D6/406.6, 336, 338, 349, 352, 353, 664,
D6/686; 248/444, 441.1, 188.6, 917-924;
361/679.02, 679.03, 679.04, 679.09,
361/679.21, 679.26, 679.27, 679.3, 679.55,
361/679.56

FIG. 4 is a top view of the round ottoman constituting an environment for the computer tablet holder and pen holder;

See application file for complete search history.

FIG. 5 is a top view of the computer tablet holder and pen holder attached to the underside of the lid of the round ottoman constituting an environment for the computer tablet holder and pen holder;

(56) **References Cited**

U.S. PATENT DOCUMENTS

D461,061 S *	8/2002	Kent	D6/336
D558,209 S *	12/2007	Ikeda et al.	D14/434
D610,818 S *	3/2010	Crane	D6/349
D611,898 S *	3/2010	Yang	D13/108
D625,931 S *	10/2010	Estrup	D6/349
D637,599 S *	5/2011	Liao	D14/447
D659,696 S *	5/2012	Lanza	D14/447
D670,704 S *	11/2012	Barker	D14/447
D671,546 S *	11/2012	Eberstein et al.	D14/447
D697,475 S *	1/2014	Regole	D13/108
D699,245 S *	2/2014	Lee et al.	D14/447
2004/0262485 A1 *	12/2004	Marceau et al.	248/346.01
2013/0327904 A1 *	12/2013	Christal	248/176.1

FIG. 6 is a perspective view of the computer tablet holder and pen holder attached to the underside of the lid of the round ottoman constituting an environment for the computer tablet holder and pen holder;

FIG. 7 is a sectional view through the line 7'-7' in FIG. 6 of the computer tablet holder and pen holder attached to the underside of the lid of the round ottoman constituting an environment for the computer tablet holder and pen holder;

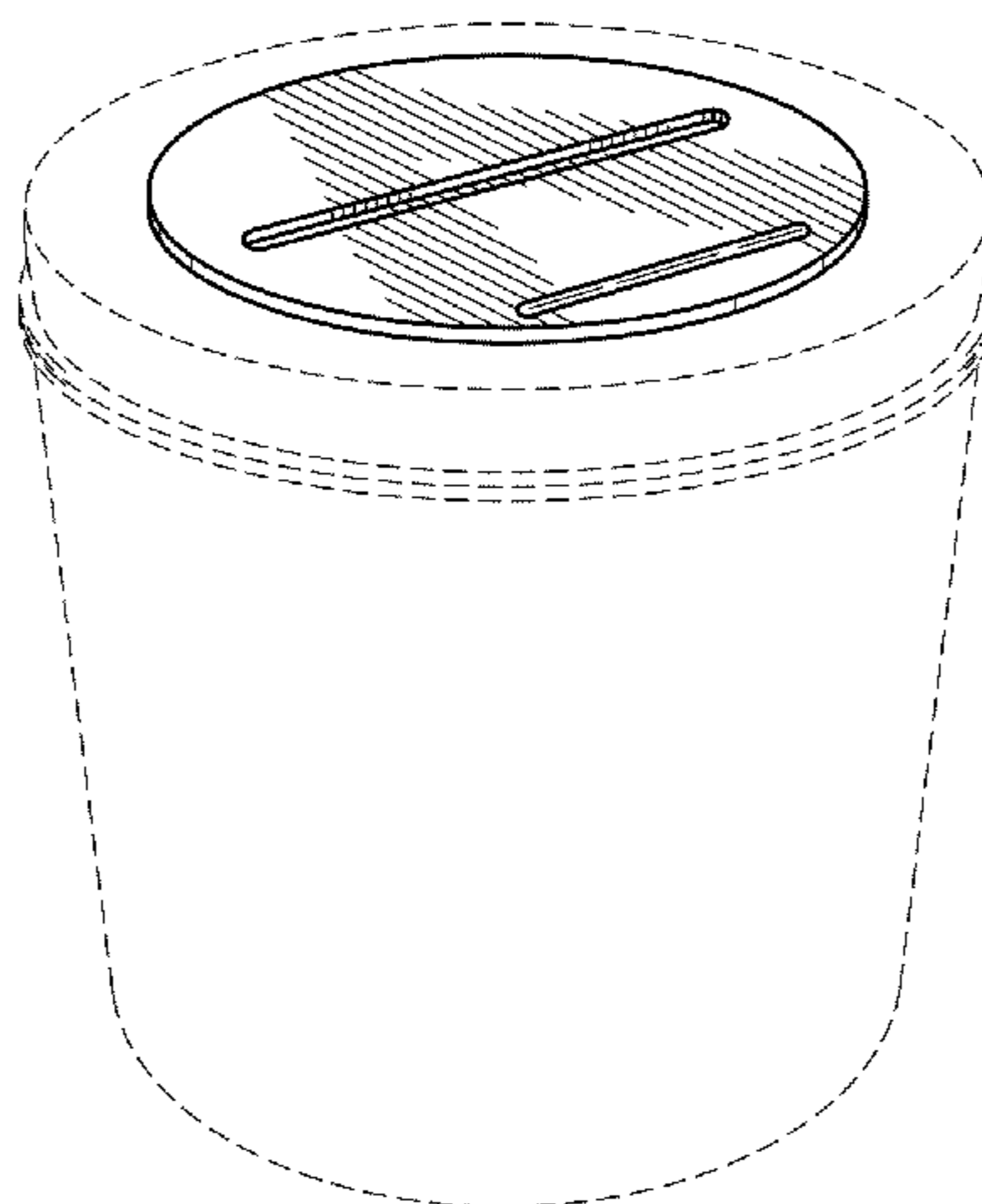
FIG. 8 is a bottom view of the computer tablet holder and pen holder; and,

FIG. 9 is a top view, with the lid removed, depicting the inside of the round ottoman constituting an environment for a computer tablet holder and pen holder.

The broken lines shown are for illustrative purposes only and form no part of the claimed design.

* cited by examiner

1 Claim, 4 Drawing Sheets



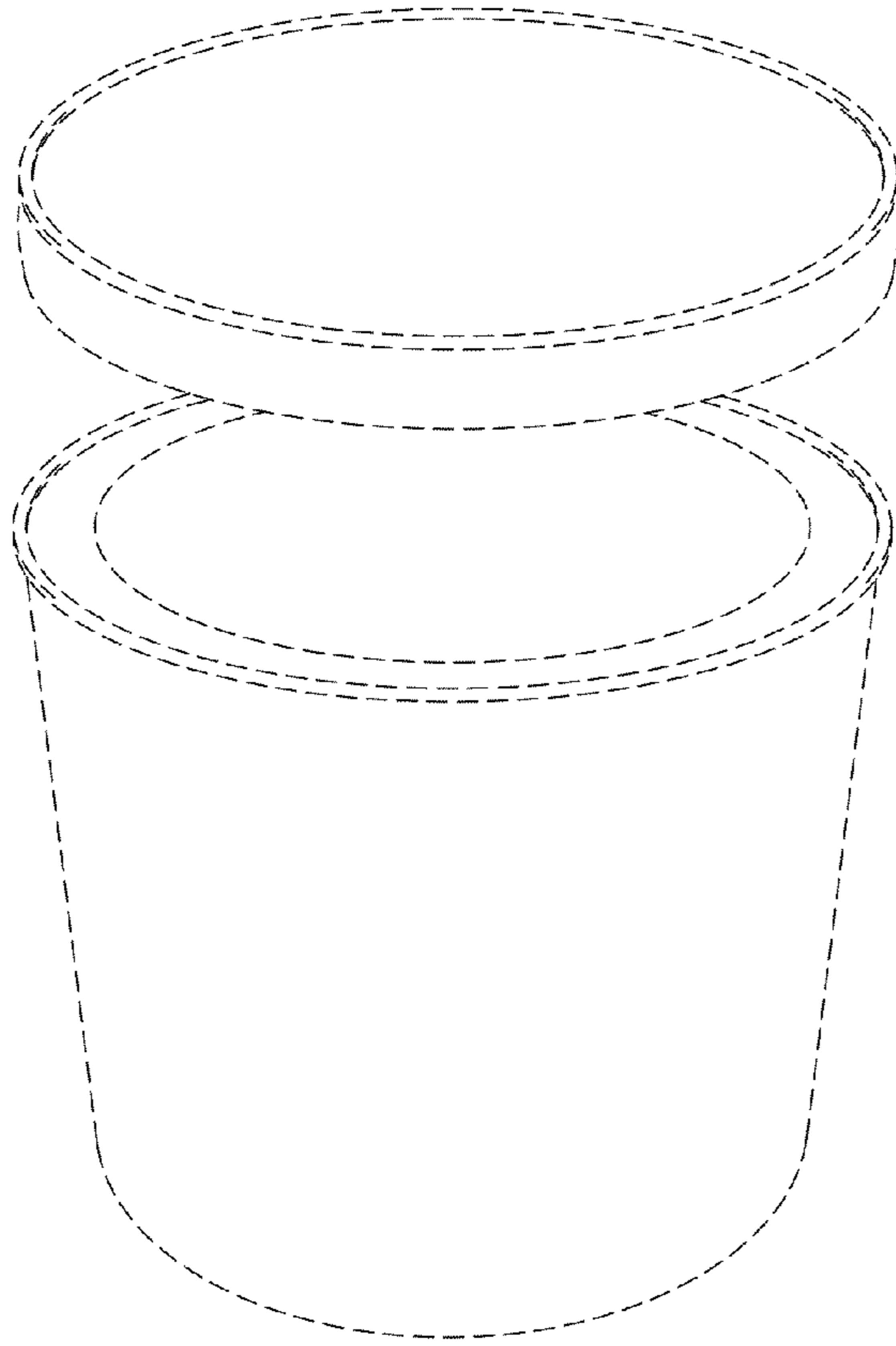
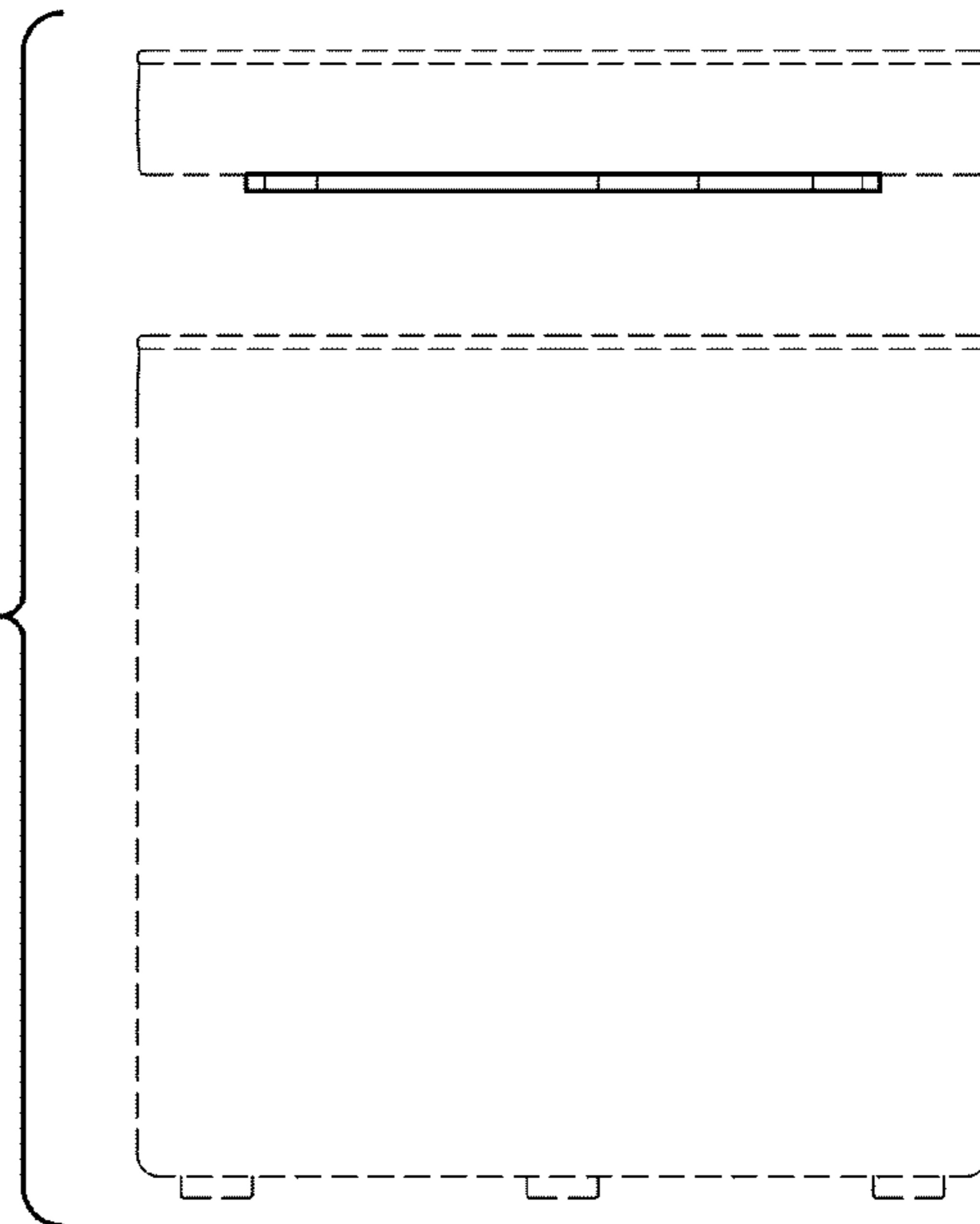


FIG. 1

FIG. 2



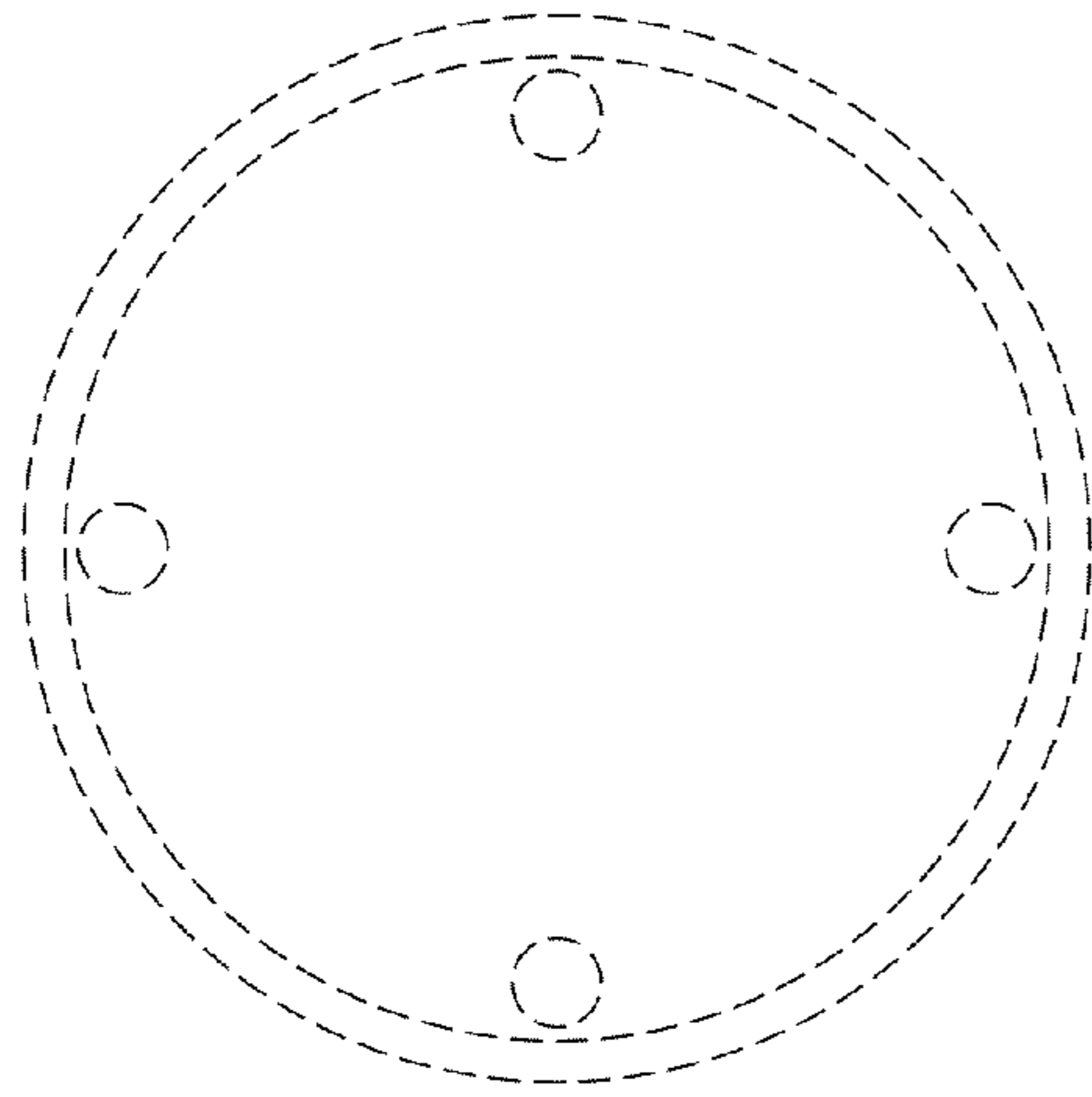


FIG. 3

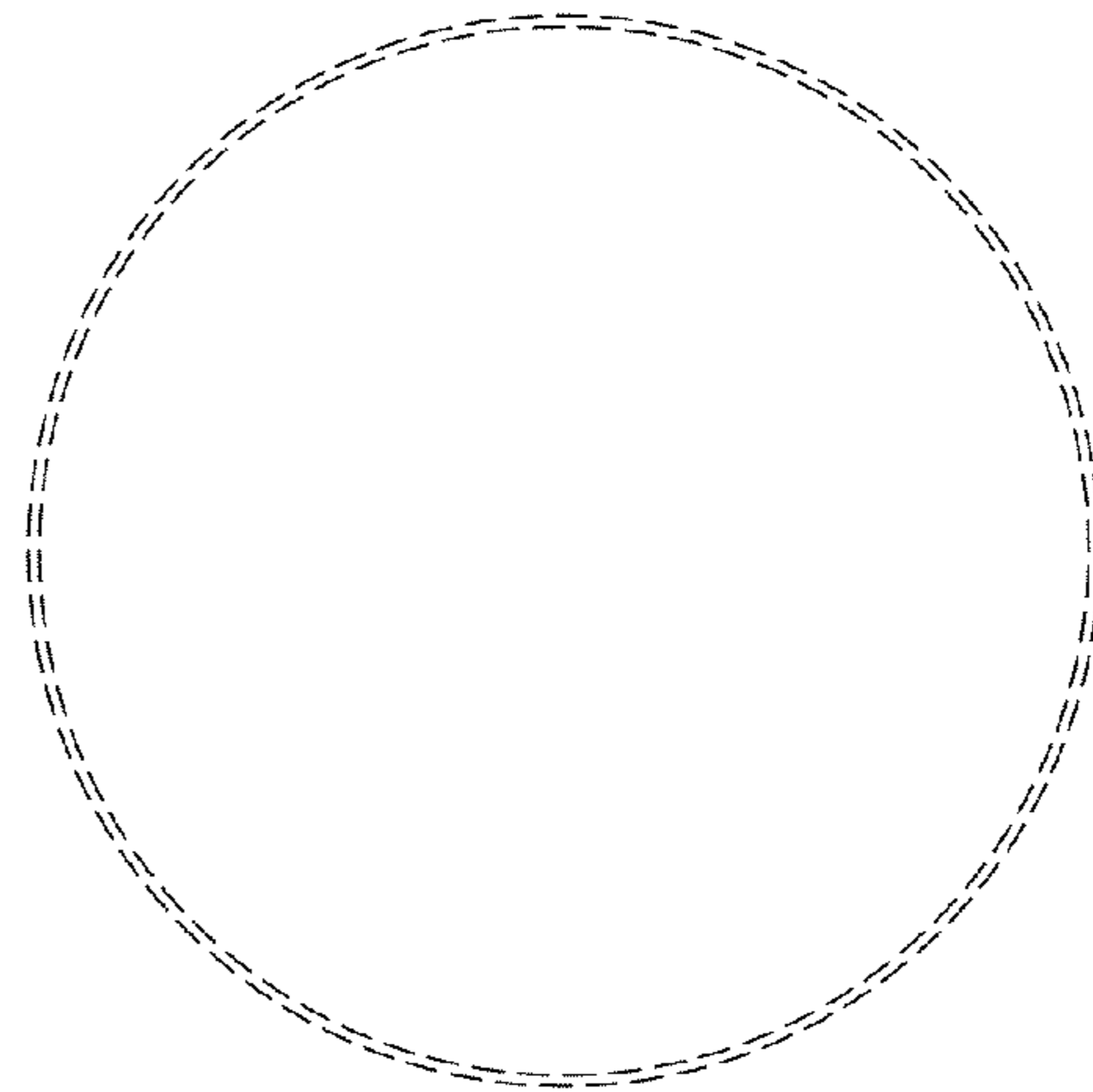


FIG. 4

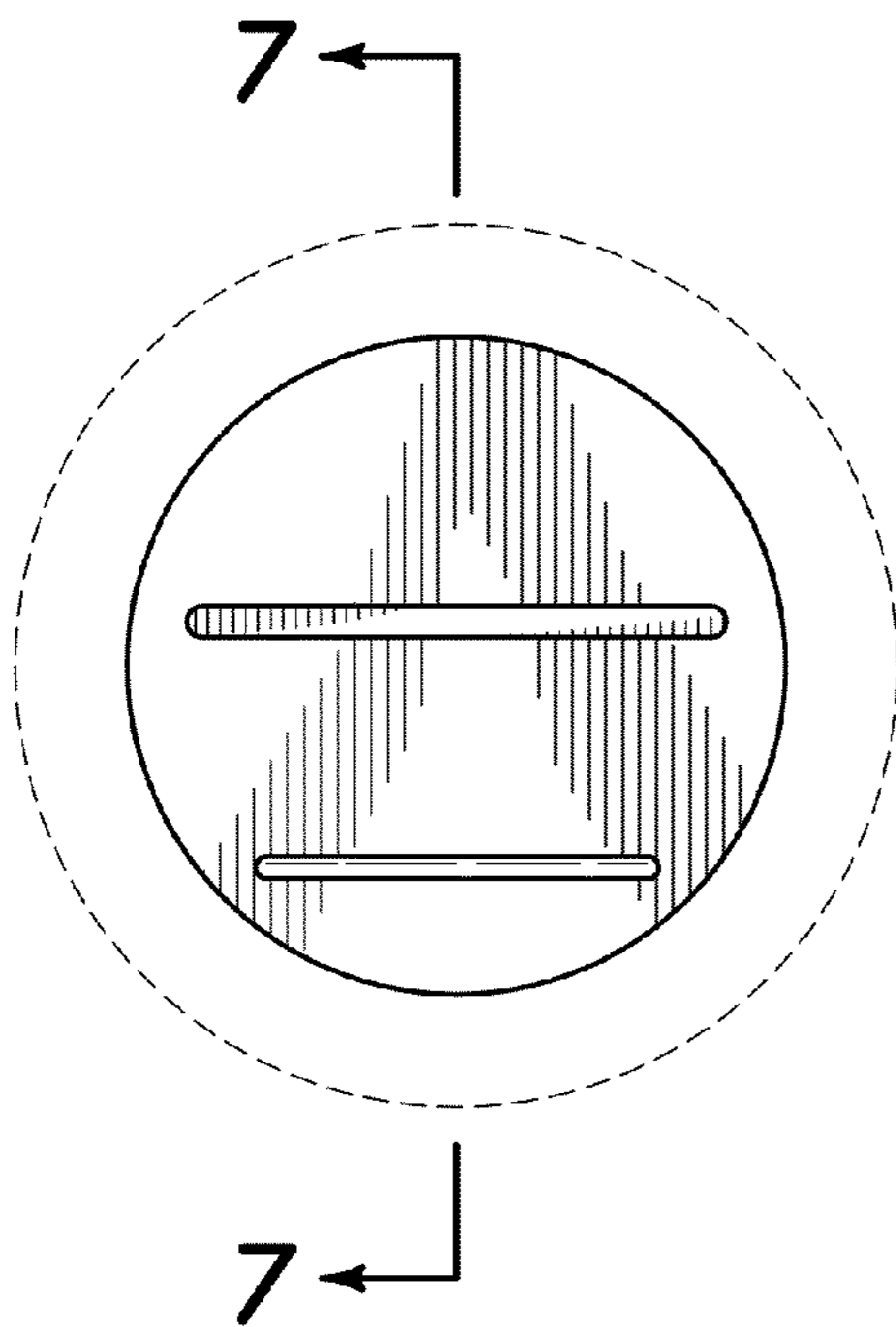


FIG. 5

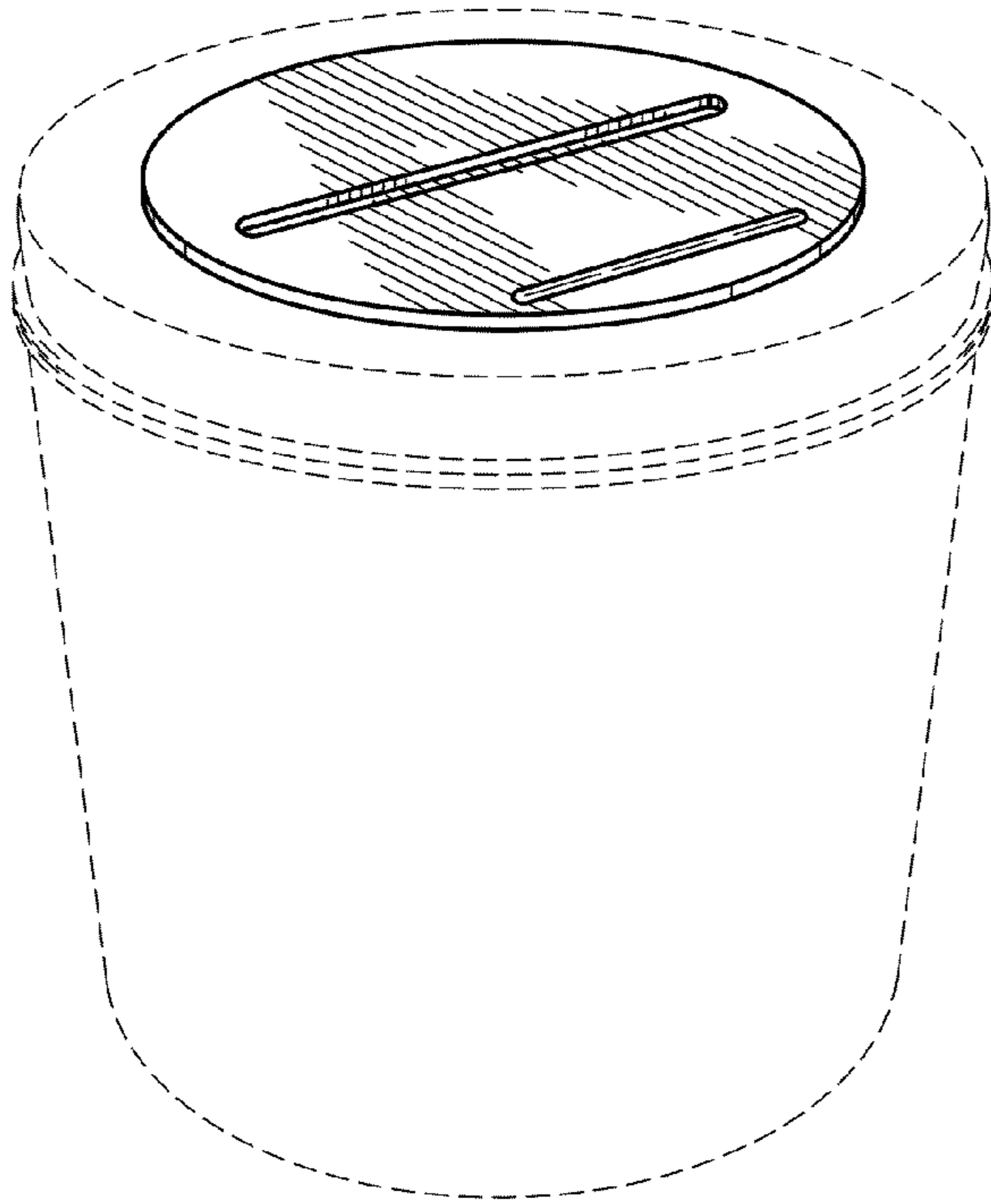


FIG. 6

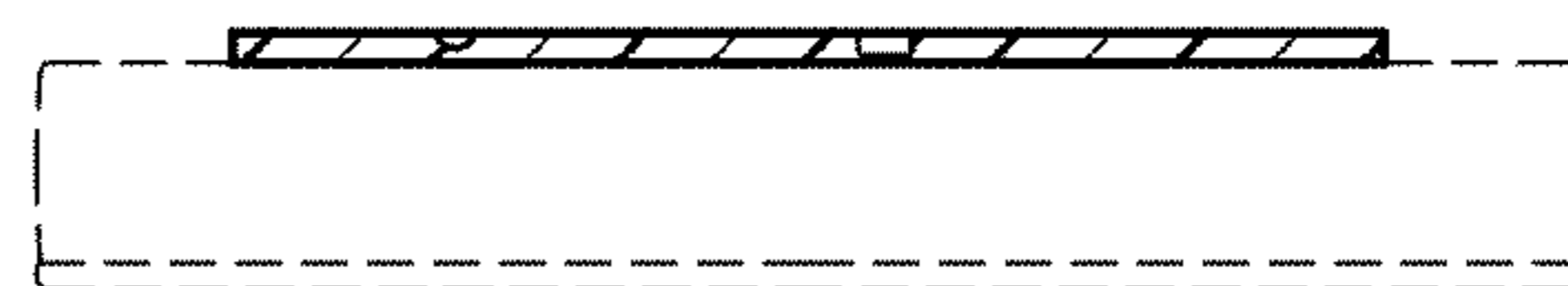


FIG. 7

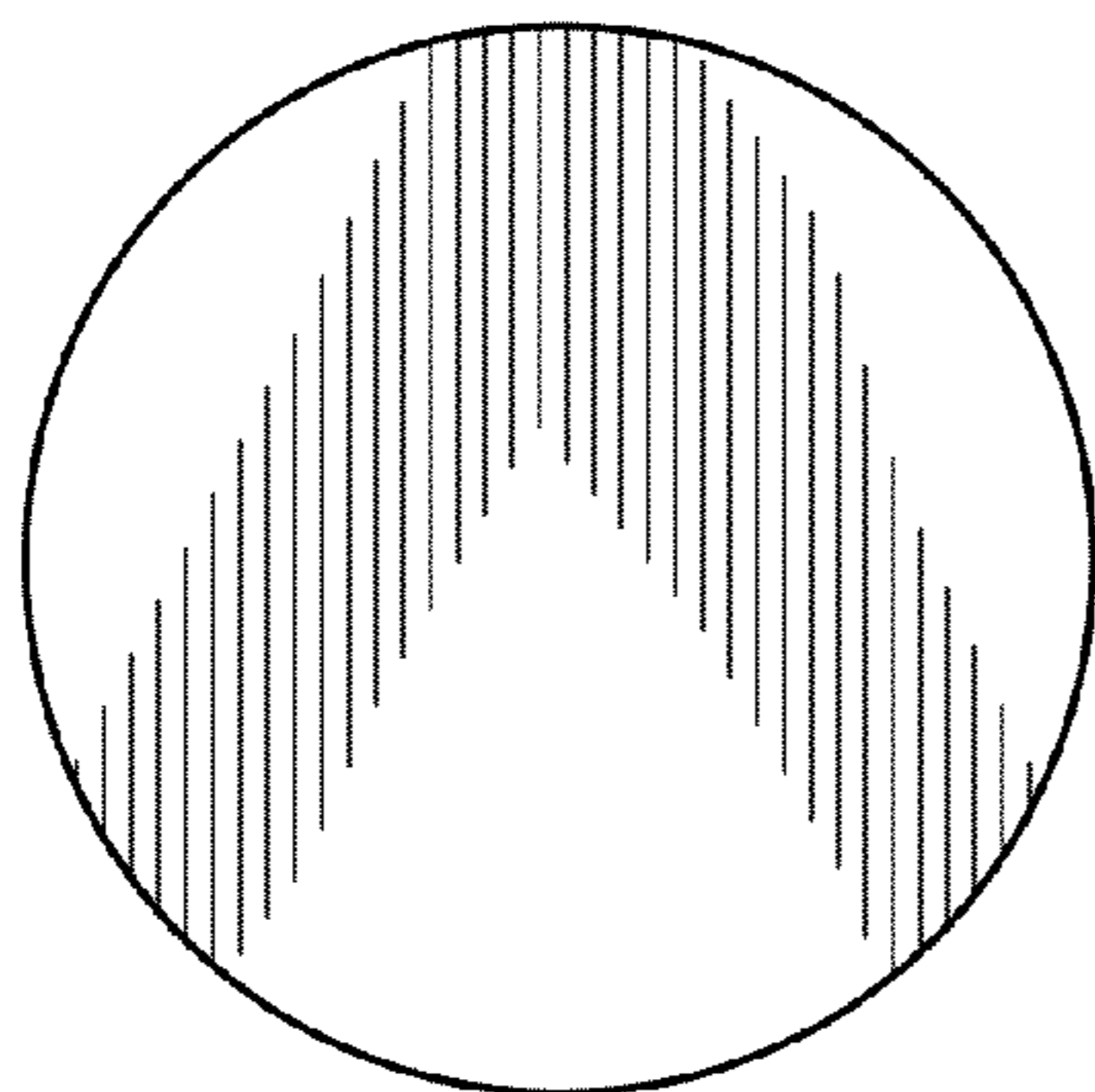


FIG. 8

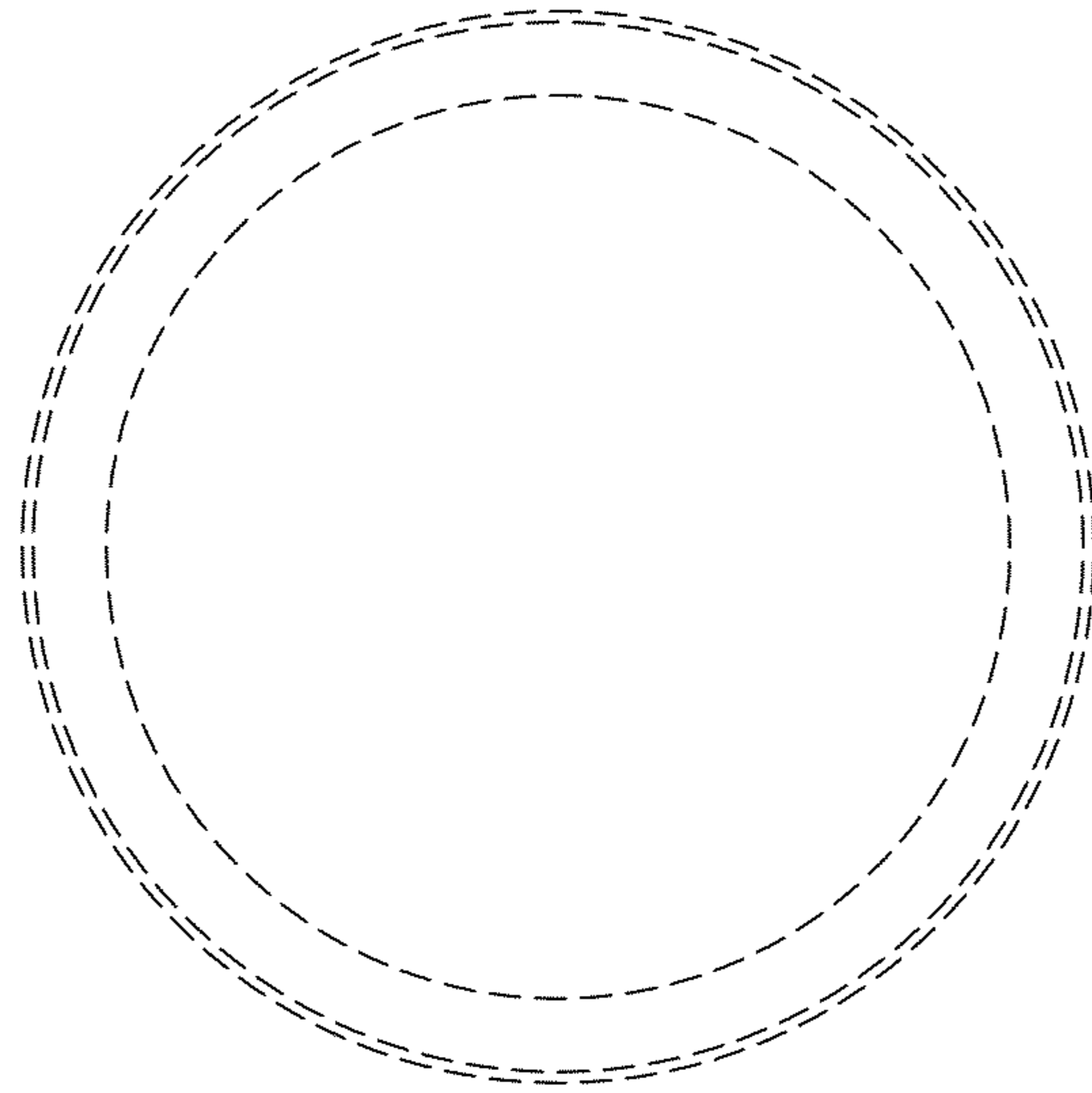


FIG. 9