



US00D726193S

(12) **United States Design Patent**
Kim et al.

(10) **Patent No.:** **US D726,193 S**
(45) **Date of Patent:** **** Apr. 7, 2015**

(54) **CASE FOR ELECTRONIC DEVICE**

- (71) Applicant: **Samsung Electronics Co., Ltd.**,
Suwon-si (KR)
- (72) Inventors: **Kuk-Hwan Kim**, Seoul (KR); **Jae-Ho Baik**, Yongin-Si (KR); **Jung-Min Yeo**, Seoul (KR); **Min-Hyouk Lee**, Seoul (KR)
- (73) Assignee: **Samsung Electronics Co., Ltd.**,
Suwon-si (KR)

(**) Term: **14 Years**

(21) Appl. No.: **29/498,394**

(22) Filed: **Aug. 4, 2014**

(30) **Foreign Application Priority Data**

Apr. 29, 2014 (KR) 30-2014-0021751

(51) **LOC (10) Cl.** **14-02**

(52) **U.S. Cl.**
USPC **D14/440**

(58) **Field of Classification Search**

CPC ... G06F 1/1601; G06F 1/1626; G06F 1/1633;
G06F 1/1675; G06F 1/1679; G02F 1/1306;
G02F 1/133; G02F 1/133308; G02F 1/153;
G02F 1/1533; G02F 2001/133317; H04M
1/185; H04M 1/0252; H04B 1/3888
USPC D14/250, 251, 253, 240, 217, 496, 440,
D14/203.3, 203.4, 203.5, 203.8, 341, 318;
D3/218, 215, 201, 294, 289, 900;
220/4.02; 248/309.1; 361/679.56;
379/426, 433.11, 455; 455/575.1,
455/575.8, 457.1; 190/100; 206/305, 320,
206/45.2; D21/469; 312/240

See application file for complete search history.

(56) **References Cited**

U.S. PATENT DOCUMENTS

1,613,536 A * 1/1927 Rose 132/315
D230,376 S * 2/1974 Andrew D19/91

(Continued)

Primary Examiner — Cynthia Underwood
(74) *Attorney, Agent, or Firm* — NSIP Law

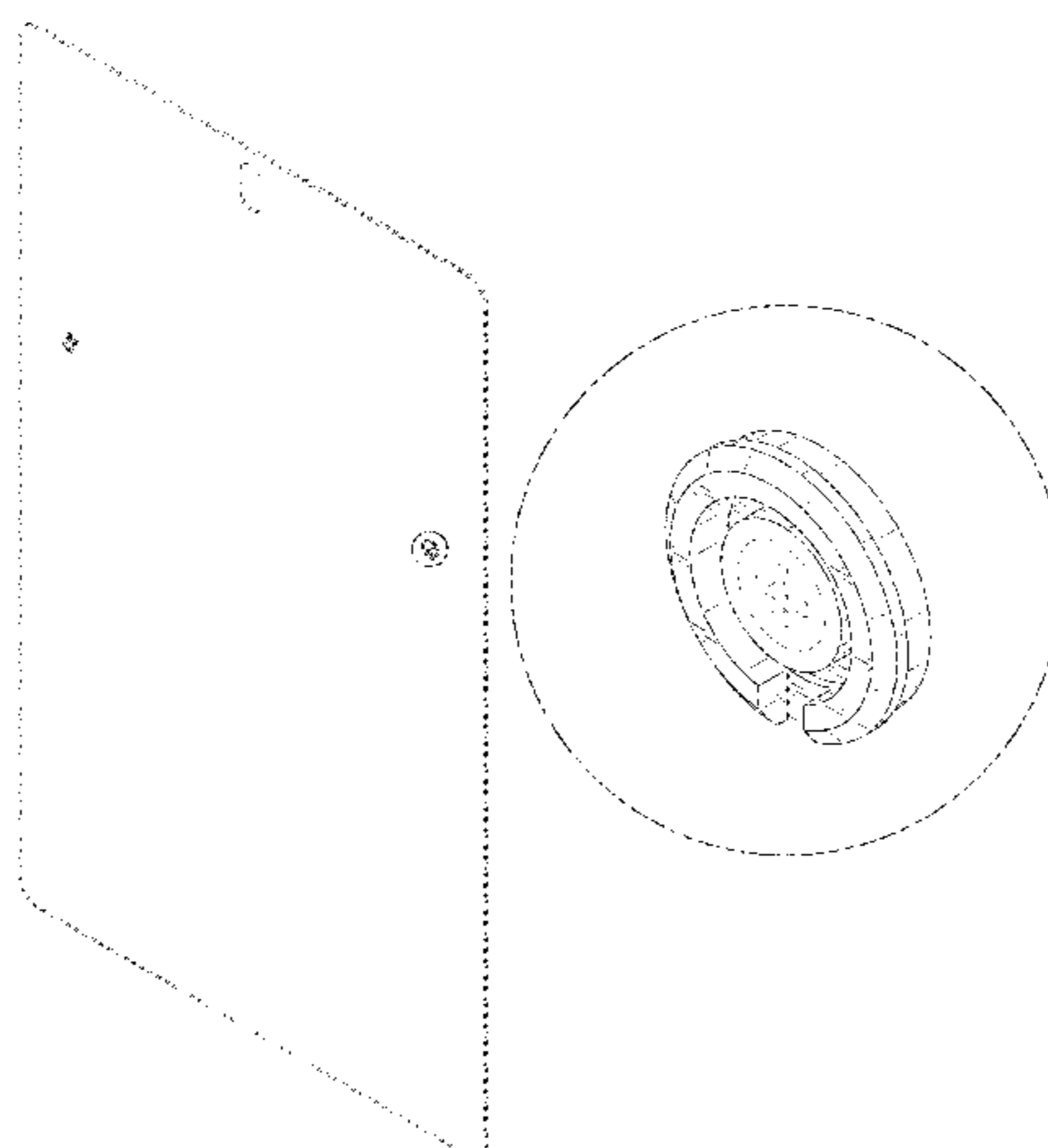
(57) **CLAIM**

We claim the ornamental design for a case for electronic device, as shown and described.

DESCRIPTION

FIG. 1 is a front perspective view of a case for electronic device showing our new design;
FIG. 2 is a front view thereof;
FIG. 3 is a rear view thereof;
FIG. 4 is a left-side view thereof;
FIG. 5 is the first right-side view thereof;
FIG. 6 is a top view thereof;
FIG. 7 is a bottom view thereof;
FIG. 8 is the second right-side view, in which the case for electronic device is provided in a closed position and an electronic device is provided in broken lines to illustrate an example environment;
FIG. 9 is the third right-side view thereof, in which the case for electronic device is provided in an alternate position;
FIG. 10 is the fourth right-side view thereof, in which the case for electronic device is provided in another alternate position;
FIG. 11 is the fifth right-side view thereof, in which the case for electronic device is provided in another alternate position;
FIG. 12 is a rear perspective view of FIG. 1;
FIG. 13 is an enlarged view of the encircled portion in FIG. 3; and,
FIG. 14 is an enlarged view of the encircled portion in FIG. 12.
The broken lines in the figures show portions of the case for electronic device which form no part of the claimed design. The dot-dash broken lines encircling portions of the claimed design that are illustrated in enlargements form no part of the claimed design.

1 Claim, 12 Drawing Sheets



(56)

References Cited

U.S. PATENT DOCUMENTS

4,259,568	A *	3/1981	Dynesen	235/1 D
6,772,879	B1 *	8/2004	Domotor	206/45.23
7,281,698	B2 *	10/2007	Patterson, Jr.	248/458
7,414,833	B2 *	8/2008	Kittayapong	361/679.27
7,735,644	B2 *	6/2010	Sirichai et al.	206/320
D658,187	S *	4/2012	Diebel	D14/440
D658,188	S *	4/2012	Diebel	D14/440
D663,304	S *	7/2012	Akana et al.	D14/440
8,230,992	B2 *	7/2012	Law et al.	206/320
8,245,843	B1 *	8/2012	Wu	206/320
8,312,991	B2 *	11/2012	Diebel et al.	206/45.24
D671,948	S *	12/2012	Akana et al.	D14/440
D672,353	S *	12/2012	Liu	D14/440
D672,781	S *	12/2012	Lu	D14/440
D675,625	S *	2/2013	Hasbrook et al.	D14/440
D678,260	S *	3/2013	Bau	D14/250
D679,279	S *	4/2013	Yang et al.	D14/440
D679,715	S *	4/2013	Akana et al.	D14/440
8,424,830	B2 *	4/2013	Yang et al.	248/459
D681,641	S *	5/2013	Van Den Nieuwenhuizen et al.	D14/440
D682,836	S *	5/2013	Akana et al.	D14/440
D682,838	S *	5/2013	Akana et al.	D14/440
D683,141	S *	5/2013	Symons	D6/310
D687,438	S *	8/2013	Lu	D14/440
D690,305	S *	9/2013	Wen	D14/440
D690,702	S *	10/2013	Chung	D14/440
D691,142	S *	10/2013	Diebel	D14/440
D692,434	S *	10/2013	Kim	D14/440
D693,823	S *	11/2013	Chen et al.	D14/440
D695,296	S *	12/2013	Hsu	D14/440
D696,253	S *	12/2013	Akana et al.	D14/345
D696,256	S *	12/2013	Piedra et al.	D14/440
D696,669	S *	12/2013	Akana et al.	D14/440
8,640,864	B2 *	2/2014	Chen et al.	206/45.2
8,657,112	B2 *	2/2014	Igarashi	206/320
D701,205	S *	3/2014	Akana et al.	D14/345
D702,673	S *	4/2014	Murchison et al.	D14/250
D704,689	S *	5/2014	Chang	D14/250
D704,693	S *	5/2014	Kim	D14/250
D706,270	S *	6/2014	Akana et al.	D14/440
D706,783	S *	6/2014	Almodova	D14/440
D707,229	S *	6/2014	Almodova	D14/440
8,757,375	B2 *	6/2014	Huang	206/320
D708,838	S *	7/2014	Lee	D3/201
8,763,795	B1 *	7/2014	Oten et al.	206/45.23
8,766,921	B2 *	7/2014	Ballagas et al.	345/168
8,773,353	B2 *	7/2014	Wei	345/156
8,783,458	B2 *	7/2014	Gallagher et al.	206/320
D710,859	S *	8/2014	Mecchella et al.	D14/440
8,797,132	B2 *	8/2014	Childs et al.	335/219
D713,847	S *	9/2014	Su	D14/440
D713,848	S *	9/2014	Akana et al.	D14/440
2003/0034263	A1 *	2/2003	D'Hoste	206/320
2008/0302687	A1 *	12/2008	Sirichai et al.	206/320
2009/0159763	A1 *	6/2009	Kim	248/174
2011/0266194	A1 *	11/2011	Bau	206/736
2011/0290687	A1 *	12/2011	Han	206/320
2012/0211377	A1 *	8/2012	Sajid	206/216
2012/0211613	A1 *	8/2012	Yang et al.	248/174
2012/0305413	A1 *	12/2012	Chung	206/45.23
2012/0308981	A1 *	12/2012	Libin et al.	434/362
2013/0015088	A1 *	1/2013	Wu	206/320
2013/0020216	A1 *	1/2013	Chiou	206/320
2013/0140203	A1 *	6/2013	Chiang	206/320
2013/0213838	A1 *	8/2013	Tsai et al.	206/320
2013/0214661	A1 *	8/2013	McBroom	312/325
2013/0241381	A1 *	9/2013	Hyneczek et al.	312/240
2013/0264459	A1 *	10/2013	McCosh et al.	248/688

* cited by examiner

FIG. 1

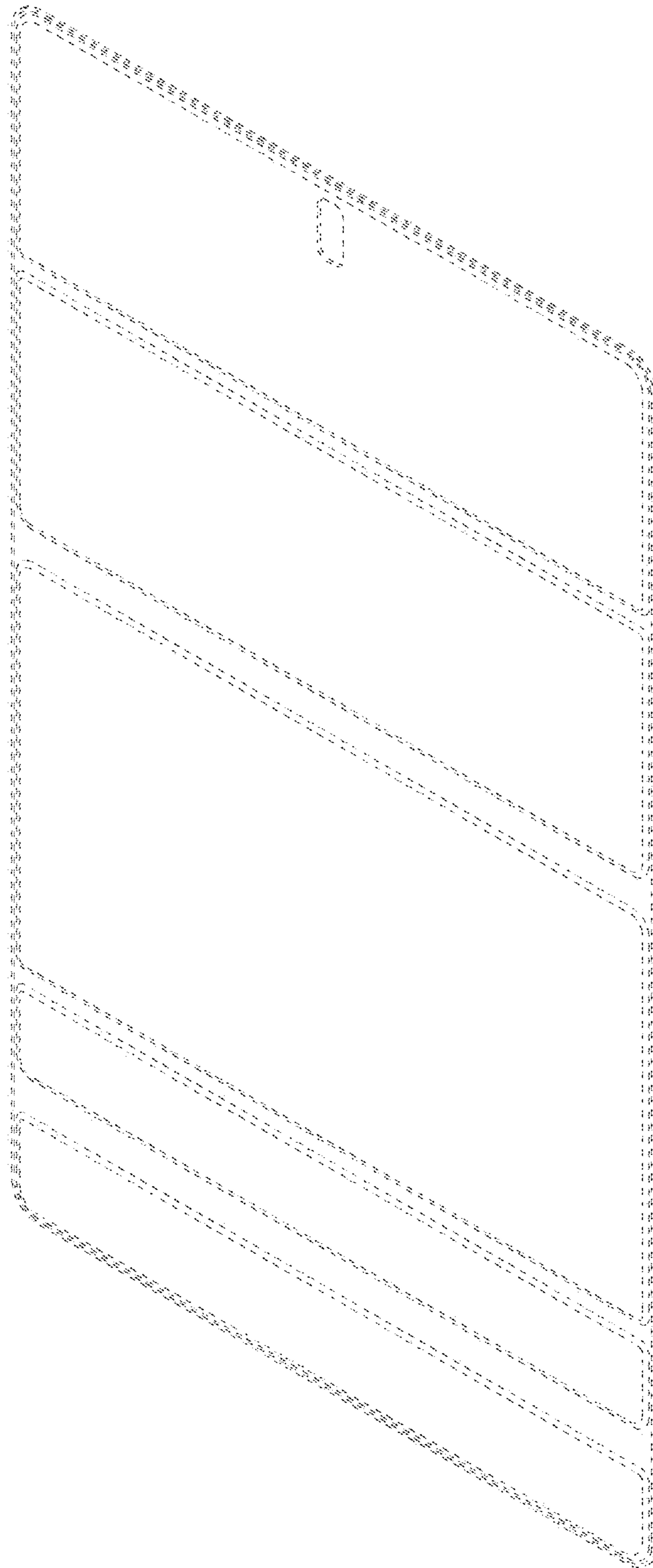


FIG. 2

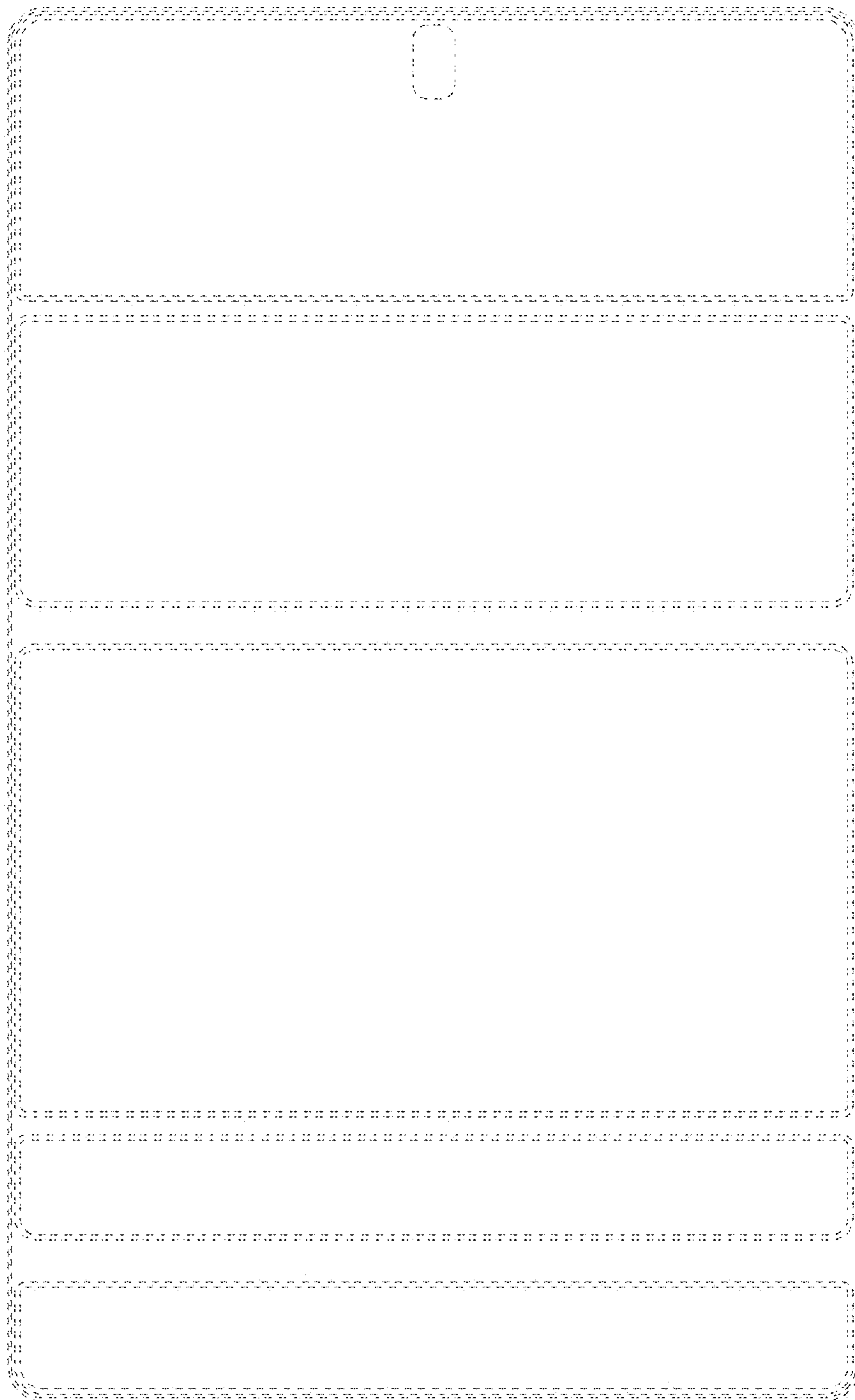


FIG. 3

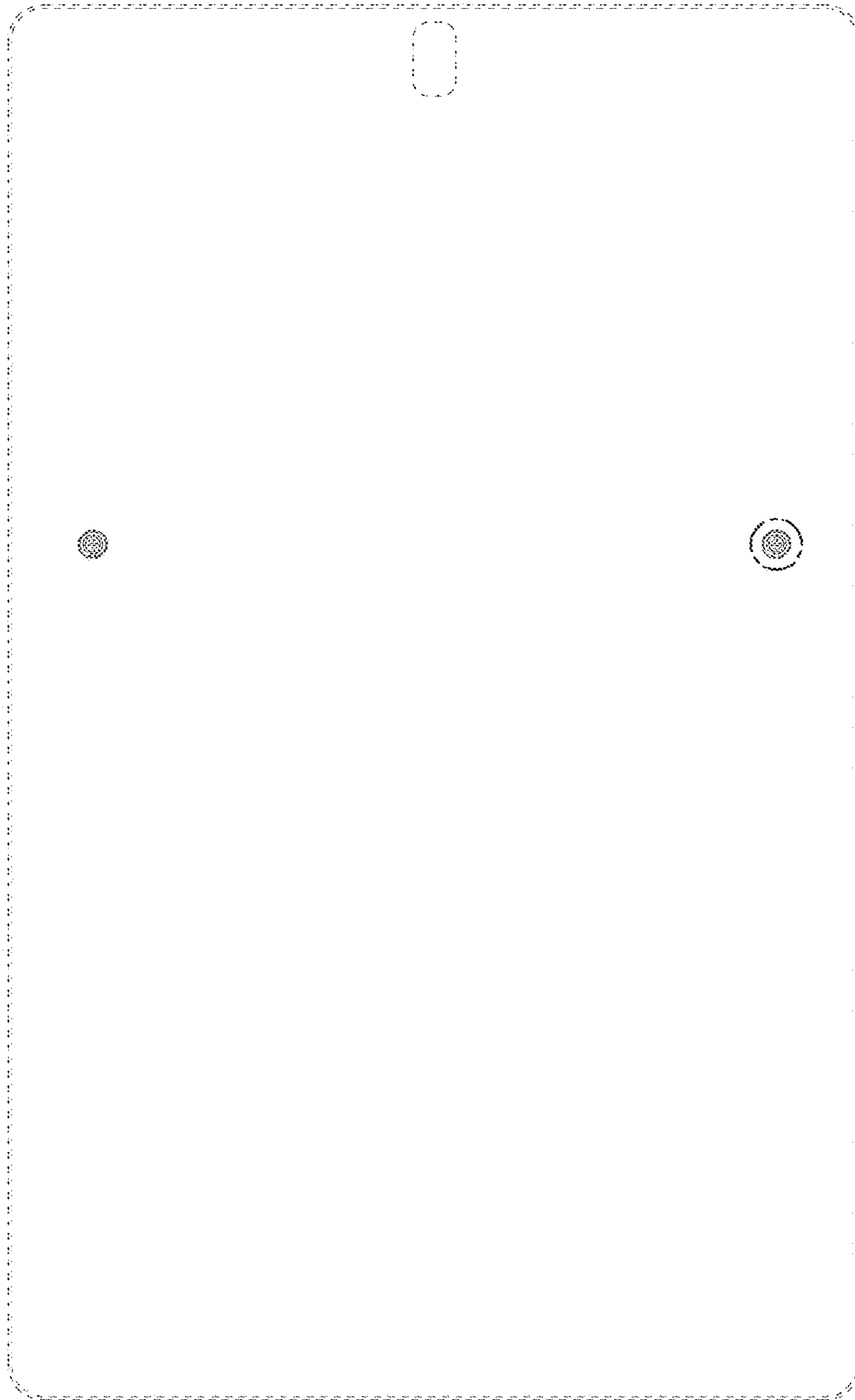


FIG. 4

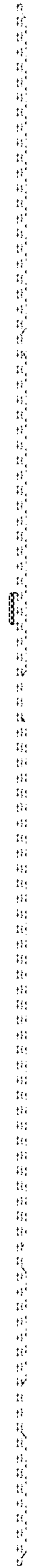


FIG. 5

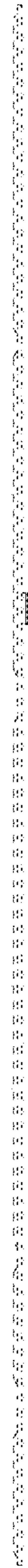


FIG. 6



FIG. 7

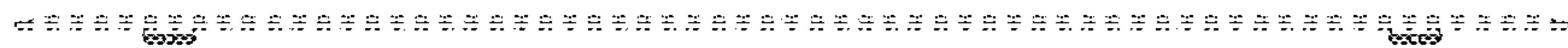


FIG. 8

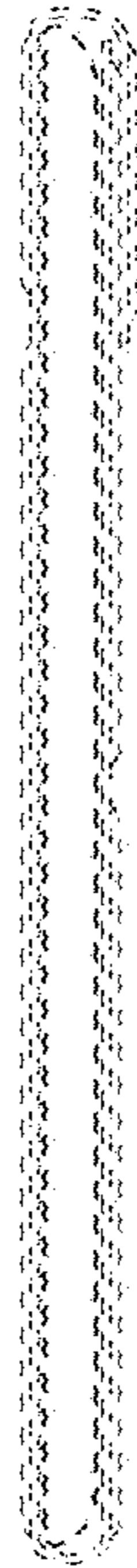


FIG. 9

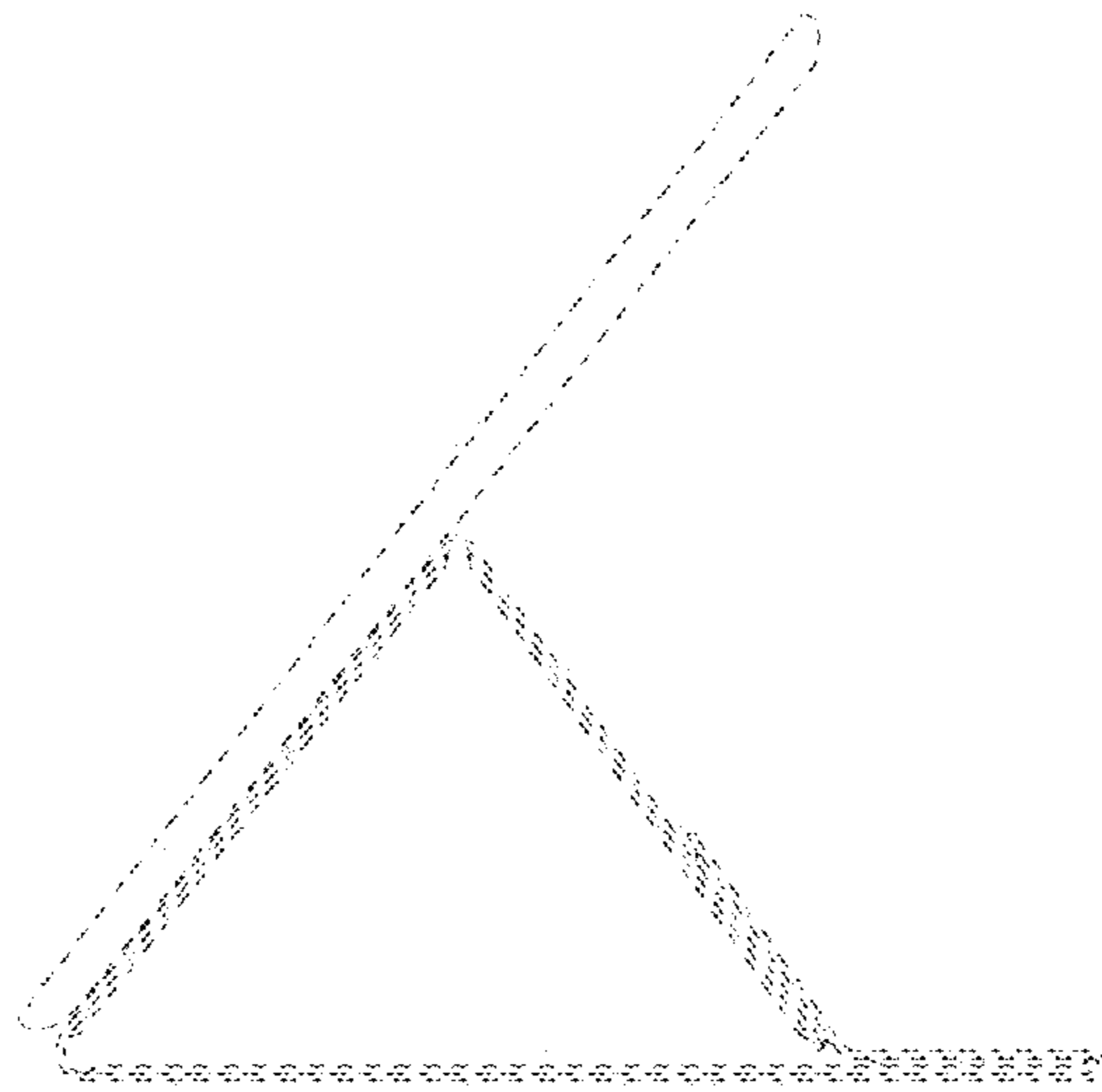


FIG. 10

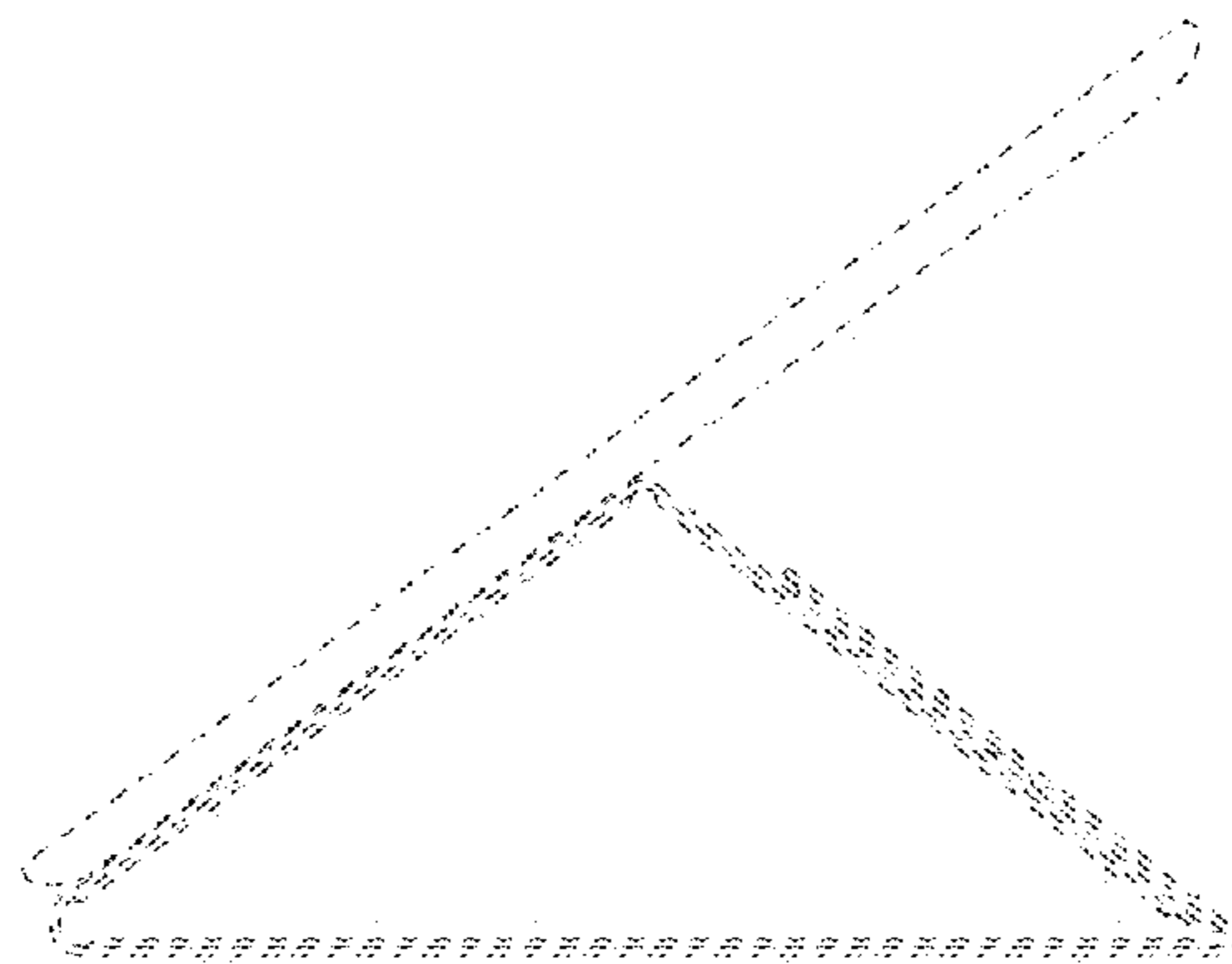


FIG. 11

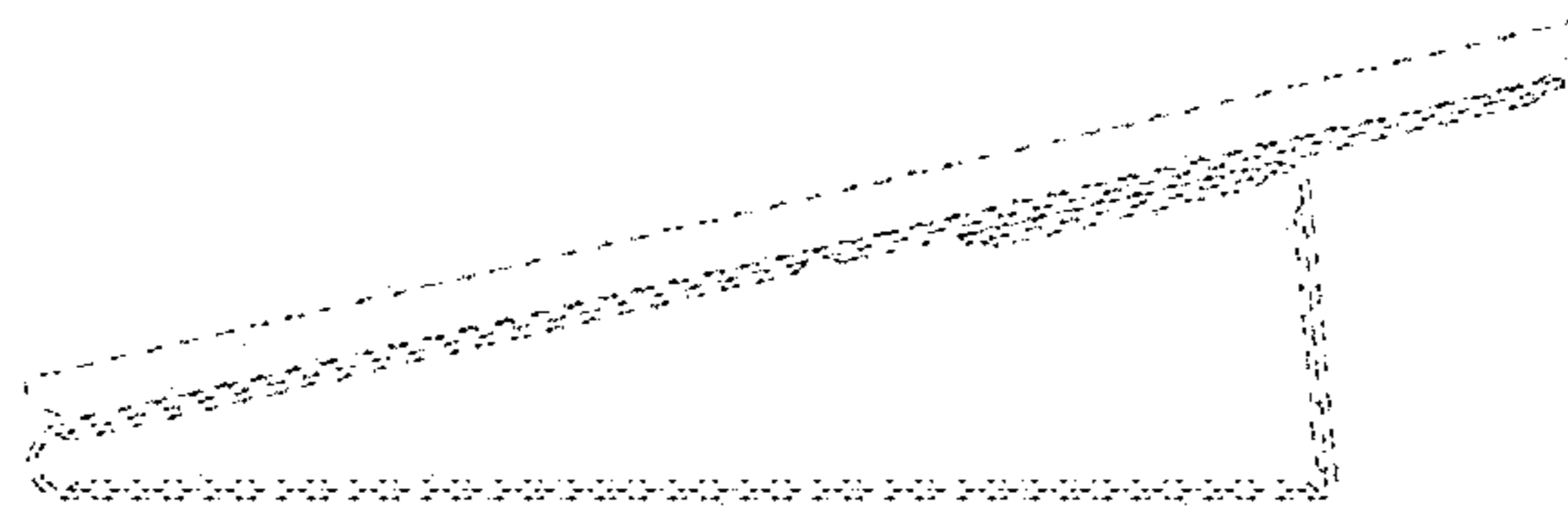


FIG. 12

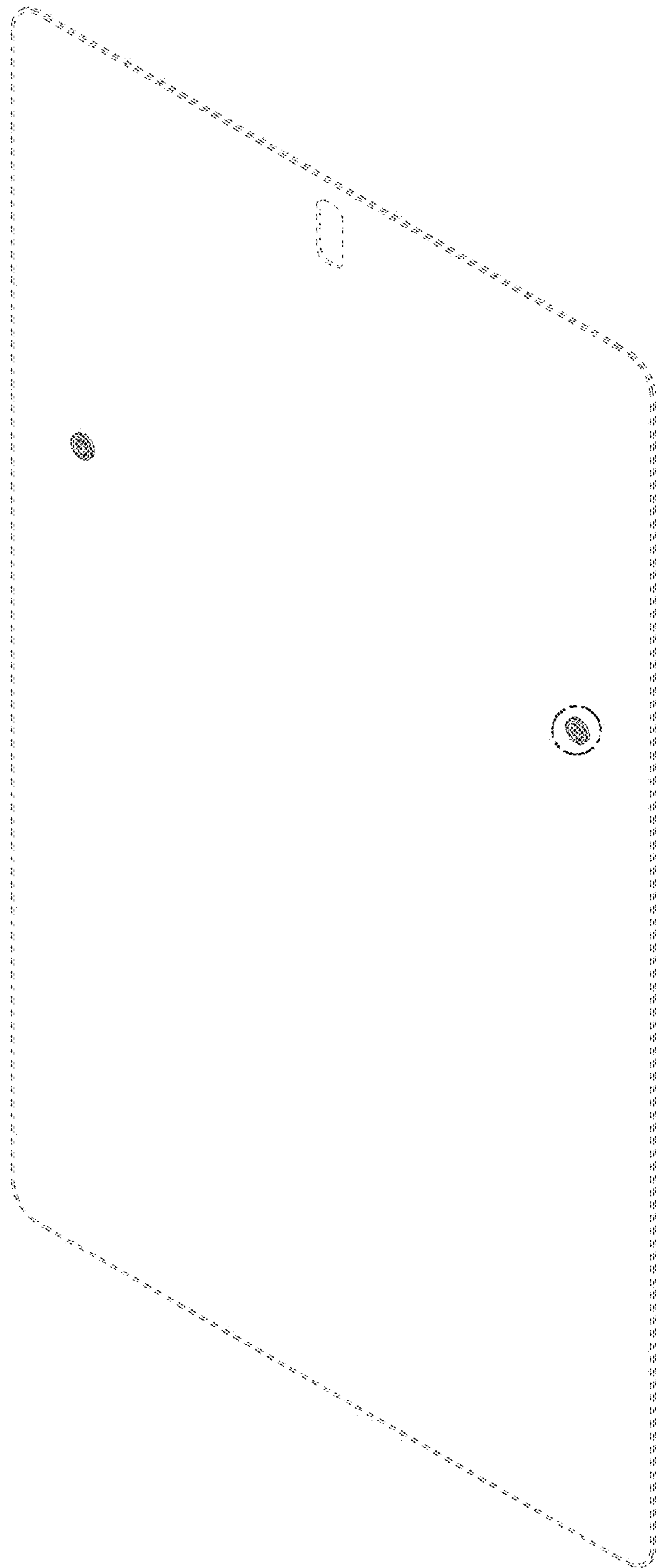


FIG. 13

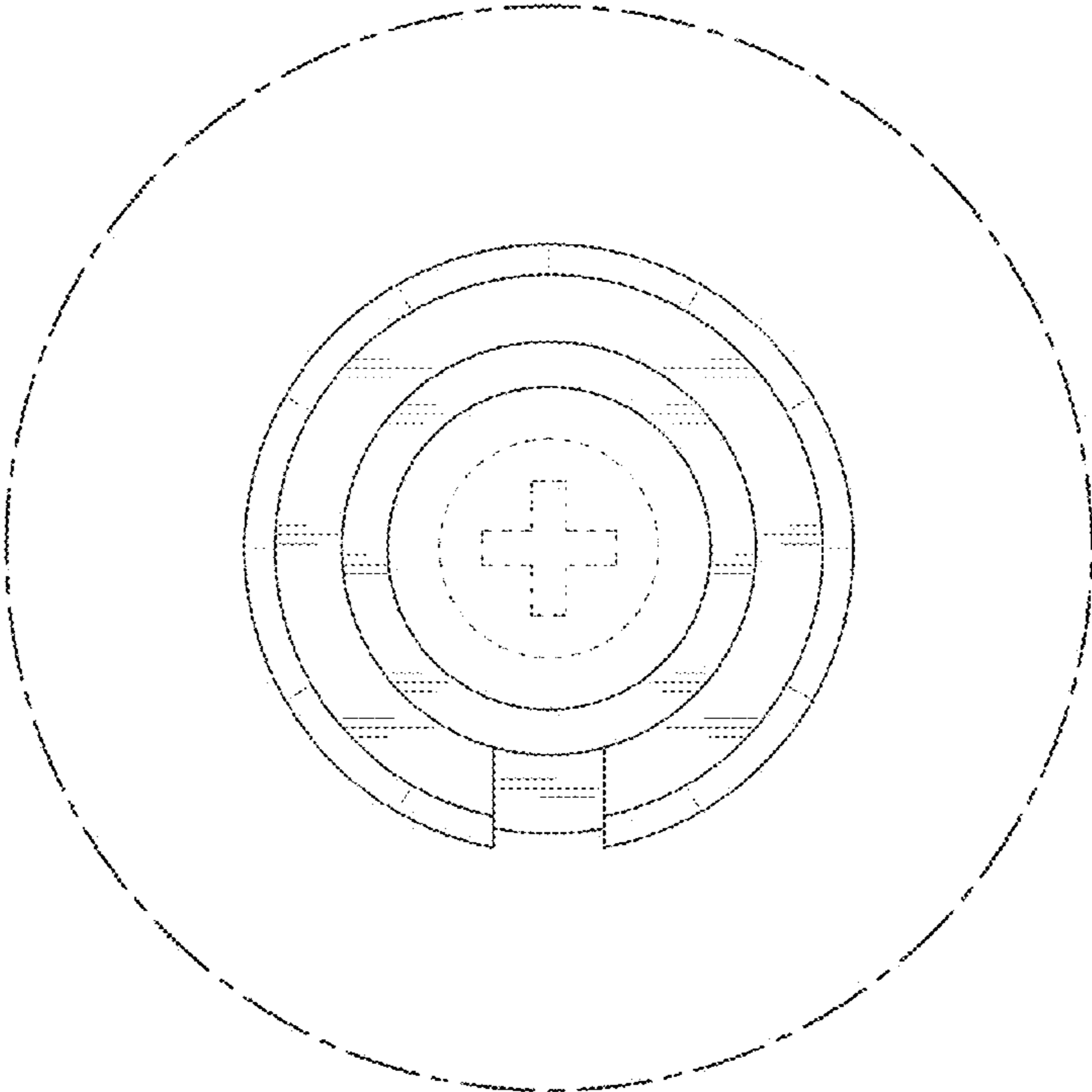


FIG. 14

