



US00D726192S

(12) **United States Design Patent**  
**Massucco et al.**

(10) **Patent No.:** **US D726,192 S**  
(45) **Date of Patent:** **\*\* Apr. 7, 2015**

- (54) **FOLDABLE FRONT COVER FOR ELECTRONIC DEVICE**
- (71) Applicant: **HTC Corporation**, Taoyuan, Taoyuan County (TW)
- (72) Inventors: **Michael Ross Massucco**, San Francisco, CA (US); **Hannes Jens Dieter Harms**, San Francisco, CA (US); **Daniel Hundt**, San Francisco, CA (US); **Gene Woo Nam**, San Francisco, CA (US)
- (73) Assignee: **HTC Corporation**, Taoyuan (TW)
- (\*\*) Term: **14 Years**
- (21) Appl. No.: **29/494,937**
- (22) Filed: **Jun. 25, 2014**
- (51) **LOC (10) Cl.** ..... **14-02**
- (52) **U.S. Cl.**  
USPC ..... **D14/440**
- (58) **Field of Classification Search**  
CPC ... G06F 1/1601; G06F 1/1626; G06F 1/1633; G06F 1/1675; G06F 1/1679; G02F 1/1306; G02F 1/133; G02F 1/133308; G02F 1/153; G02F 1/1533; G02F 2001/133317; H04M 1/185; H04M 1/0252; H04B 1/3888  
USPC ..... D14/250, 251, 253, 240, 217, 496, 440, D14/203.3, 203.4, 203.5, 203.8, 341, 318; D3/218, 215, 201, 294, 289, 900; 220/4.02; 248/309.1; 361/679.56; 379/426, 433.11, 455; 455/575.1, 455/575.8, 457.1; 190/100; 206/305, 320, 206/45.2; D21/469; 312/240  
See application file for complete search history.

(56) **References Cited**

**U.S. PATENT DOCUMENTS**

- 1,613,536 A \* 1/1927 Rose ..... 132/315
- D230,376 S \* 2/1974 Andrew ..... D19/91
- 4,259,568 A \* 3/1981 Dynesen ..... 235/1 D

- 6,772,879 B1 \* 8/2004 Domotor ..... 206/45.23
- 7,281,698 B2 \* 10/2007 Patterson, Jr. .... 248/458
- 7,414,833 B2 \* 8/2008 Kittayapong ..... 361/679.27
- 7,735,644 B2 \* 6/2010 Sirichai et al. .... 206/320
- D658,187 S \* 4/2012 Diebel ..... D14/440
- D658,188 S \* 4/2012 Diebel ..... D14/440
- D663,304 S \* 7/2012 Akana et al. .... D14/440
- 8,230,992 B2 \* 7/2012 Law et al. .... 206/320
- 8,245,843 B1 \* 8/2012 Wu ..... 206/320
- 8,312,991 B2 \* 11/2012 Diebel et al. .... 206/45.24
- D671,948 S \* 12/2012 Akana et al. .... D14/440
- D672,353 S \* 12/2012 Liu ..... D14/440
- D672,781 S \* 12/2012 Lu ..... D14/440
- D675,625 S \* 2/2013 Hasbrook et al. .... D14/440
- D678,260 S \* 3/2013 Bau ..... D14/250
- D679,279 S \* 4/2013 Yang et al. .... D14/440
- D679,715 S \* 4/2013 Akana et al. .... D14/440
- 8,424,830 B2 \* 4/2013 Yang et al. .... 248/459

(Continued)

*Primary Examiner* — Cynthia Underwood

(74) *Attorney, Agent, or Firm* — Birch, Stewart, Kolasch & Birch, LLP

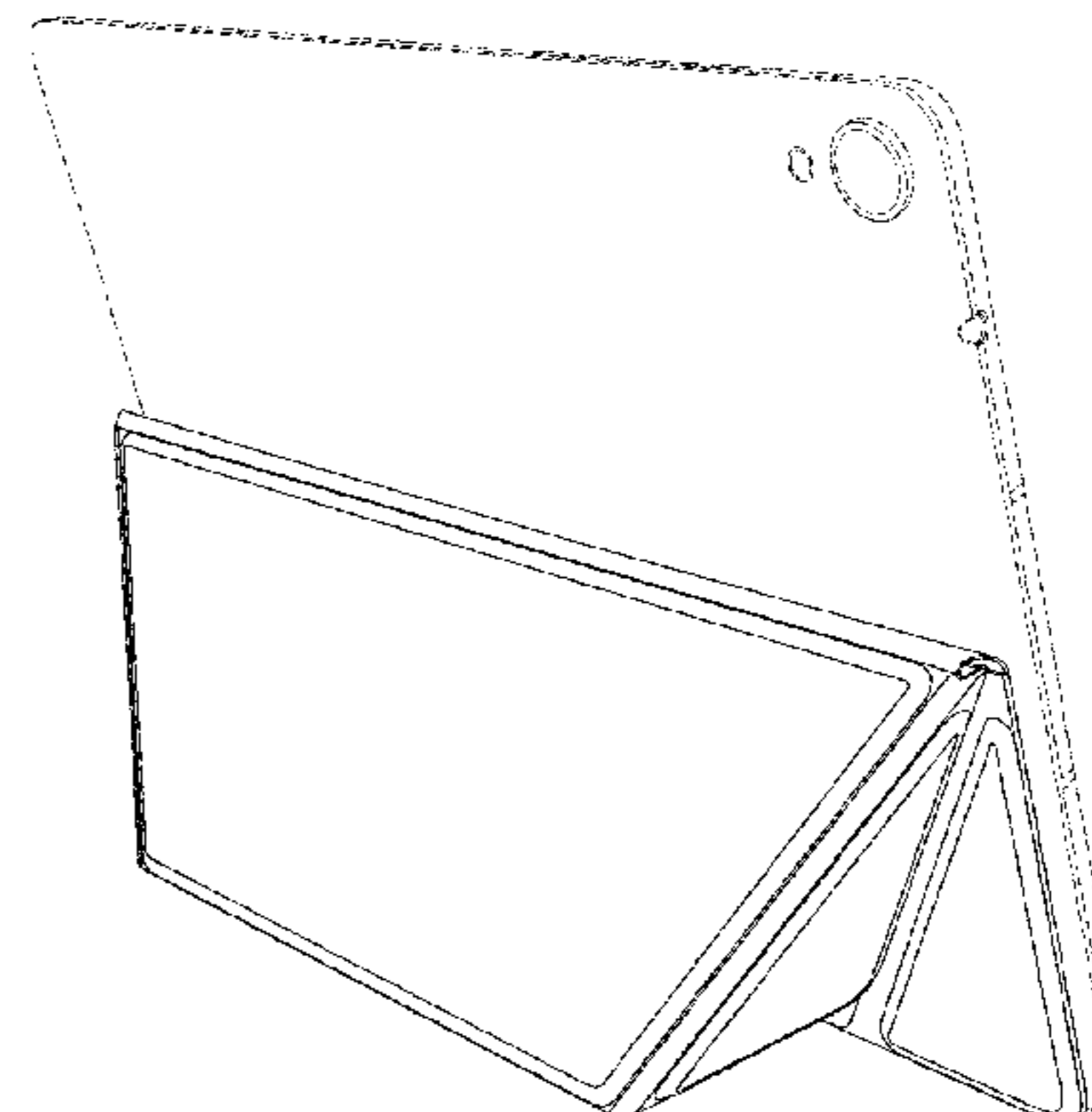
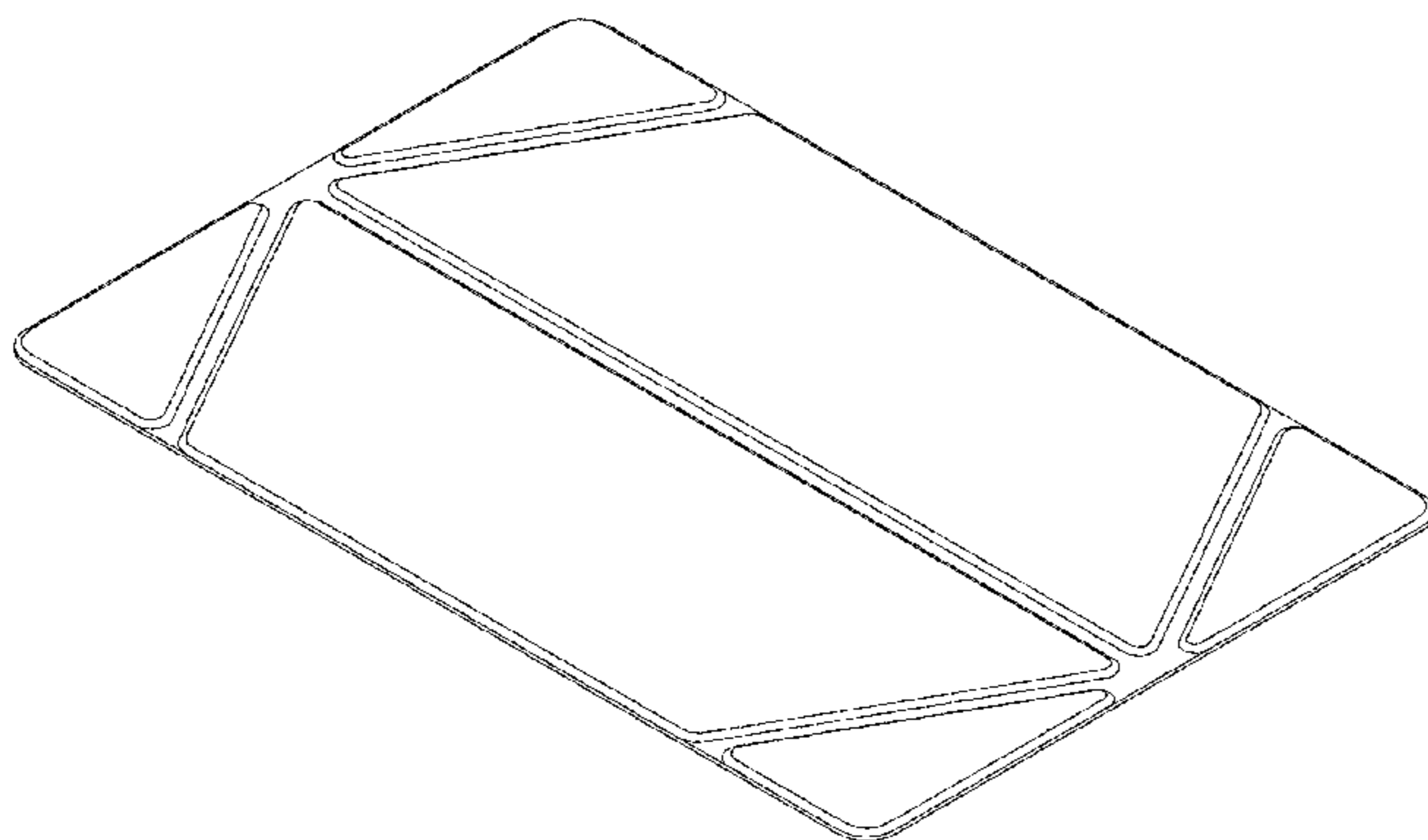
(57) **CLAIM**

The ornamental design for foldable front cover for electronic device, as shown and described.

**DESCRIPTION**

FIG. 1 is a front perspective view of a foldable front cover for electronic device in accordance with our new design;  
 FIG. 2 is a front view thereof;  
 FIG. 3 is a rear view thereof;  
 FIG. 4 is a left side view thereof;  
 FIG. 5 is a right side view thereof;  
 FIG. 6 is a top plan view thereof;  
 FIG. 7 is a bottom plan view thereof; and  
 FIG. 8 is a perspective view thereof shown folded into a stand for supporting an electronic device; and,  
 FIG. 9 is a perspective view thereof shown folded into another stand for supporting an electronic device.  
 The broken lines represent an environment of use and form no part of the claimed design.

**1 Claim, 9 Drawing Sheets**



(56)

References Cited

U.S. PATENT DOCUMENTS

D681,641	S *	5/2013	Van Den Nieuwenhuizen et al. ....	D14/440	8,757,375	B2 *	6/2014	Huang .....	206/320
D682,836	S *	5/2013	Akana et al. ....	D14/440	D708,838	S *	7/2014	Lee .....	D3/201
D682,838	S *	5/2013	Akana et al. ....	D14/440	8,763,795	B1 *	7/2014	Oten et al. ....	206/45.23
D683,141	S *	5/2013	Symons .....	D6/310	8,766,921	B2 *	7/2014	Ballagas et al. ....	345/168
D687,438	S *	8/2013	Lu .....	D14/440	8,773,353	B2 *	7/2014	Wei .....	345/156
D690,305	S *	9/2013	Wen .....	D14/440	8,783,458	B2 *	7/2014	Gallagher et al. ....	206/320
D690,702	S *	10/2013	Chung .....	D14/440	D710,859	S *	8/2014	Mecchella et al. ....	D14/440
D691,142	S *	10/2013	Diebel .....	D14/440	8,797,132	B2 *	8/2014	Childs et al. ....	335/219
D692,434	S *	10/2013	Kim .....	D14/440	D713,847	S *	9/2014	Su .....	D14/440
D693,823	S *	11/2013	Chen et al. ....	D14/440	D713,848	S *	9/2014	Akana et al. ....	D14/440
D695,296	S *	12/2013	Hsu .....	D14/440	2003/0034263	A1 *	2/2003	D'Hoste .....	206/320
D696,253	S *	12/2013	Akana et al. ....	D14/345	2008/0302687	A1 *	12/2008	Sirichai et al. ....	206/320
D696,256	S *	12/2013	Piedra et al. ....	D14/440	2009/0159763	A1 *	6/2009	Kim .....	248/174
D696,669	S *	12/2013	Akana et al. ....	D14/440	2011/0266194	A1 *	11/2011	Bau .....	206/736
8,640,864	B2 *	2/2014	Chen et al. ....	206/45.2	2011/0290687	A1 *	12/2011	Han .....	206/320
8,657,112	B2 *	2/2014	Igarashi .....	206/320	2012/0211377	A1 *	8/2012	Sajid .....	206/216
D701,205	S *	3/2014	Akana et al. ....	D14/345	2012/0211613	A1 *	8/2012	Yang et al. ....	248/174
D702,673	S *	4/2014	Murchison et al. ....	D14/250	2012/0305413	A1 *	12/2012	Chung .....	206/45.23
D704,689	S *	5/2014	Chang .....	D14/250	2012/0308981	A1 *	12/2012	Libin et al. ....	434/362
D704,693	S *	5/2014	Kim .....	D14/250	2013/0015088	A1 *	1/2013	Wu .....	206/320
D706,270	S *	6/2014	Akana et al. ....	D14/440	2013/0020216	A1 *	1/2013	Chiou .....	206/320
D706,783	S *	6/2014	Almodova .....	D14/440	2013/0140203	A1 *	6/2013	Chiang .....	206/320
D707,229	S *	6/2014	Almodova .....	D14/440	2013/0213838	A1 *	8/2013	Tsai et al. ....	206/320
					2013/0214661	A1 *	8/2013	McBroom .....	312/325
					2013/0241381	A1 *	9/2013	Hyneczek et al. ....	312/240
					2013/0264459	A1 *	10/2013	McCosh et al. ....	248/688

\* cited by examiner

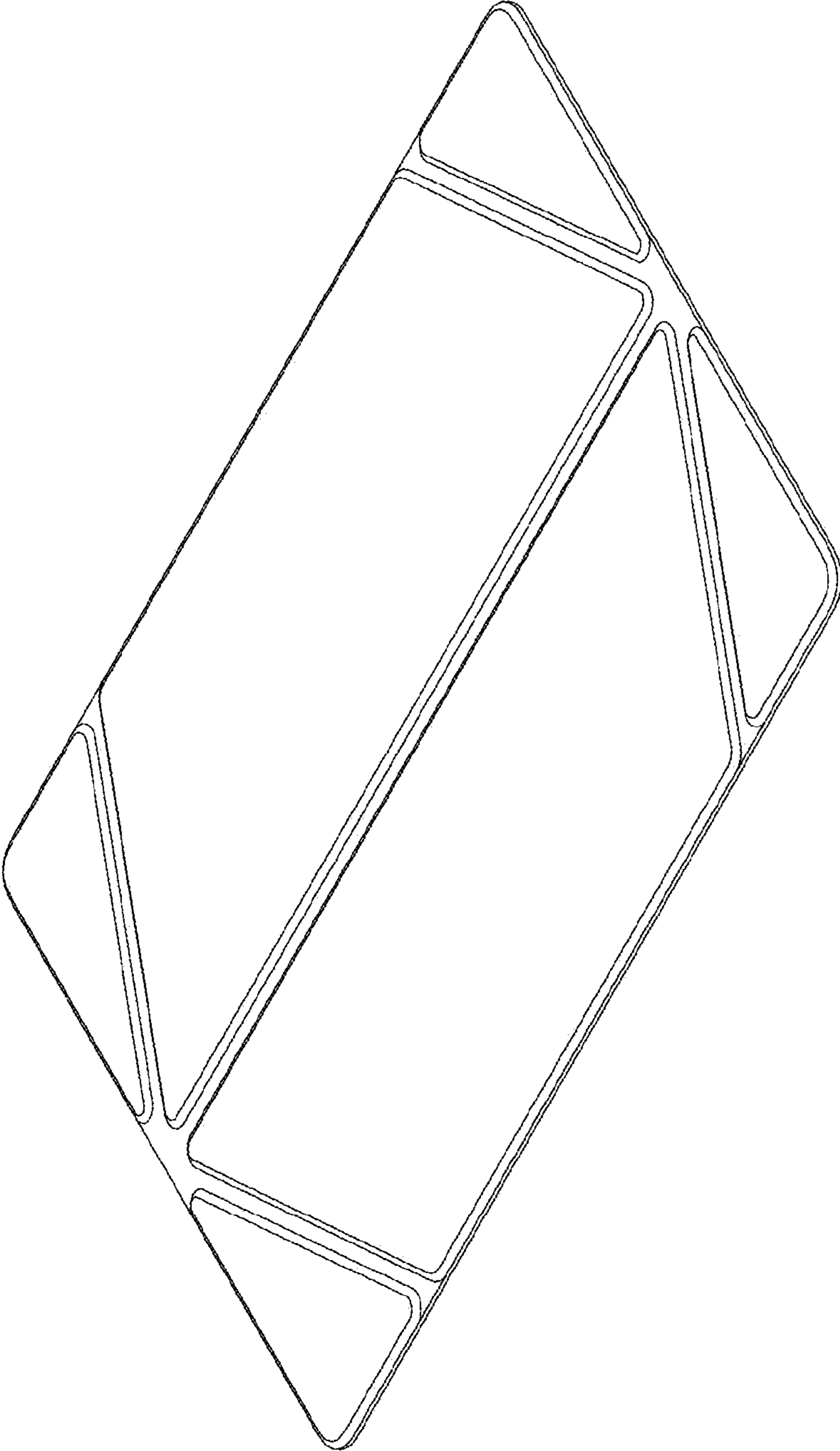


FIG. 1

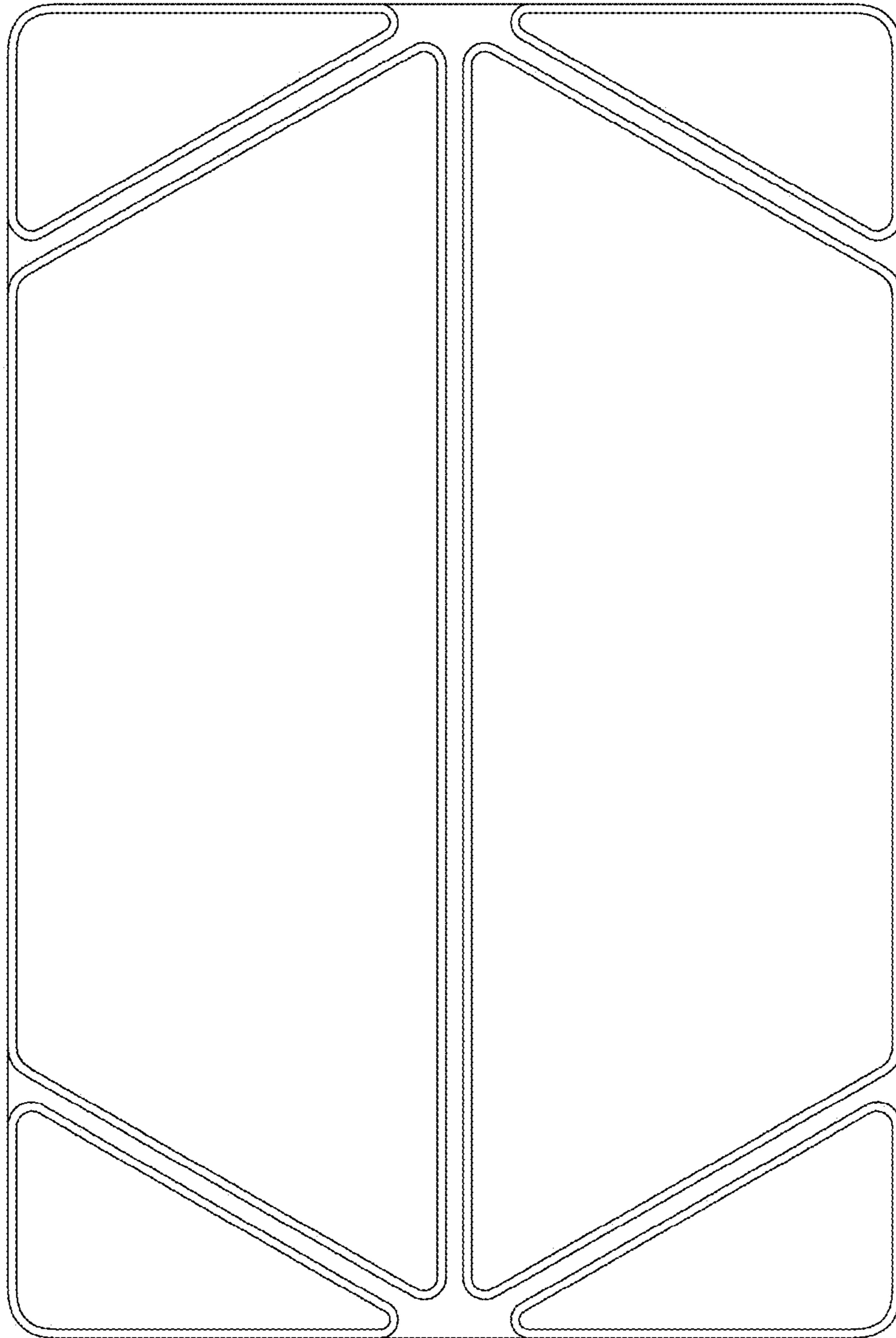


FIG. 2

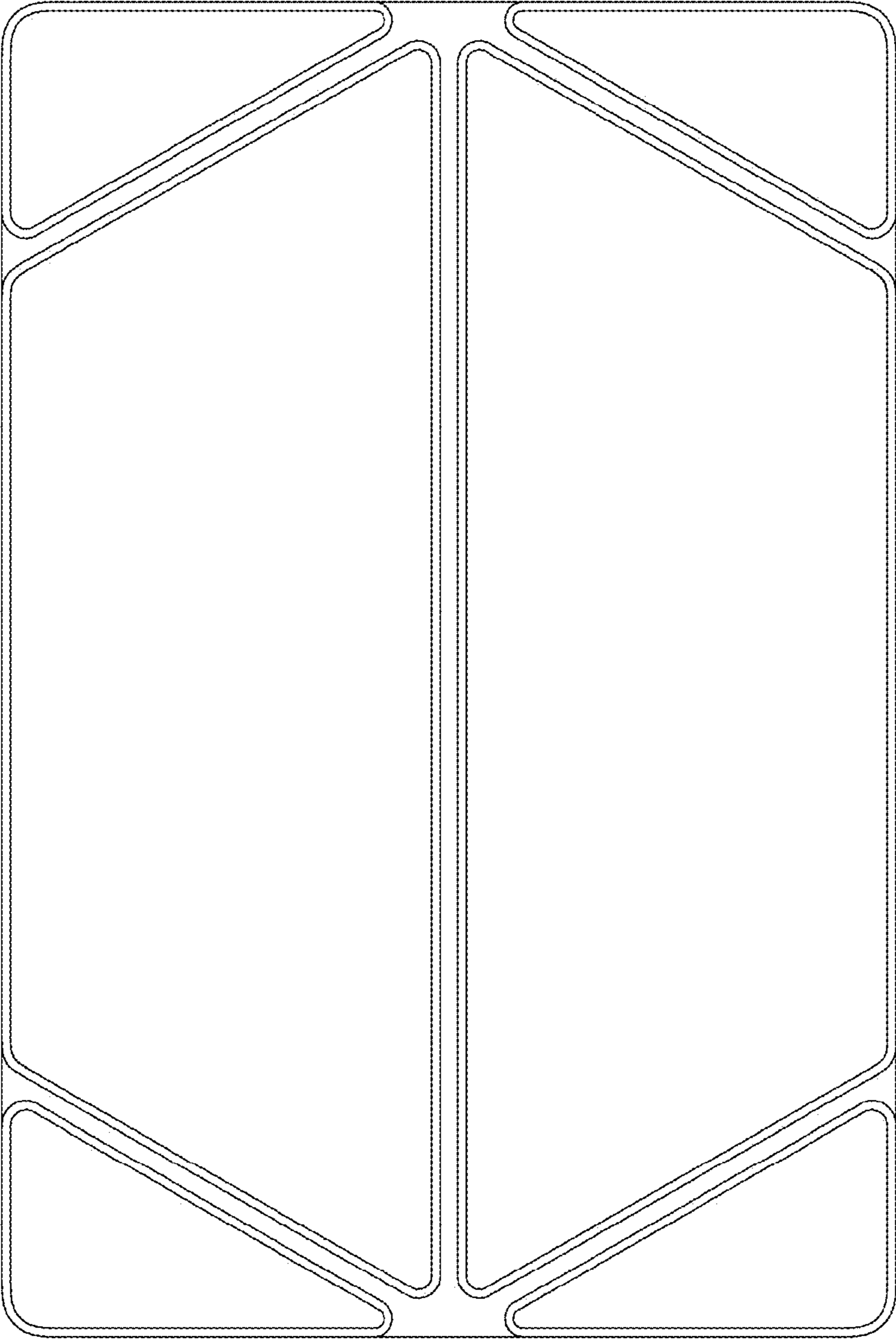


FIG. 3

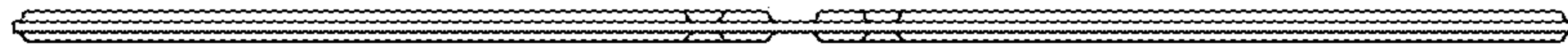


FIG. 4

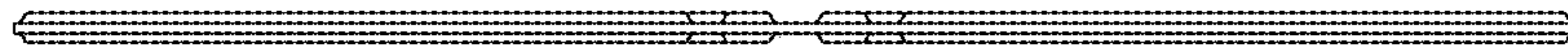


FIG. 5

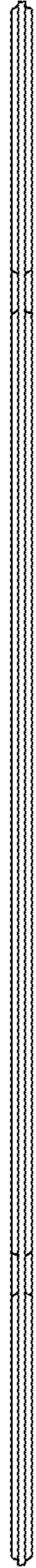


FIG. 6



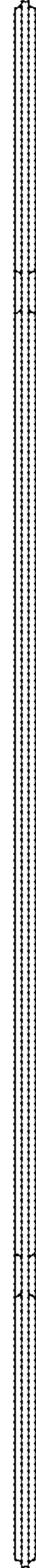


FIG. 7

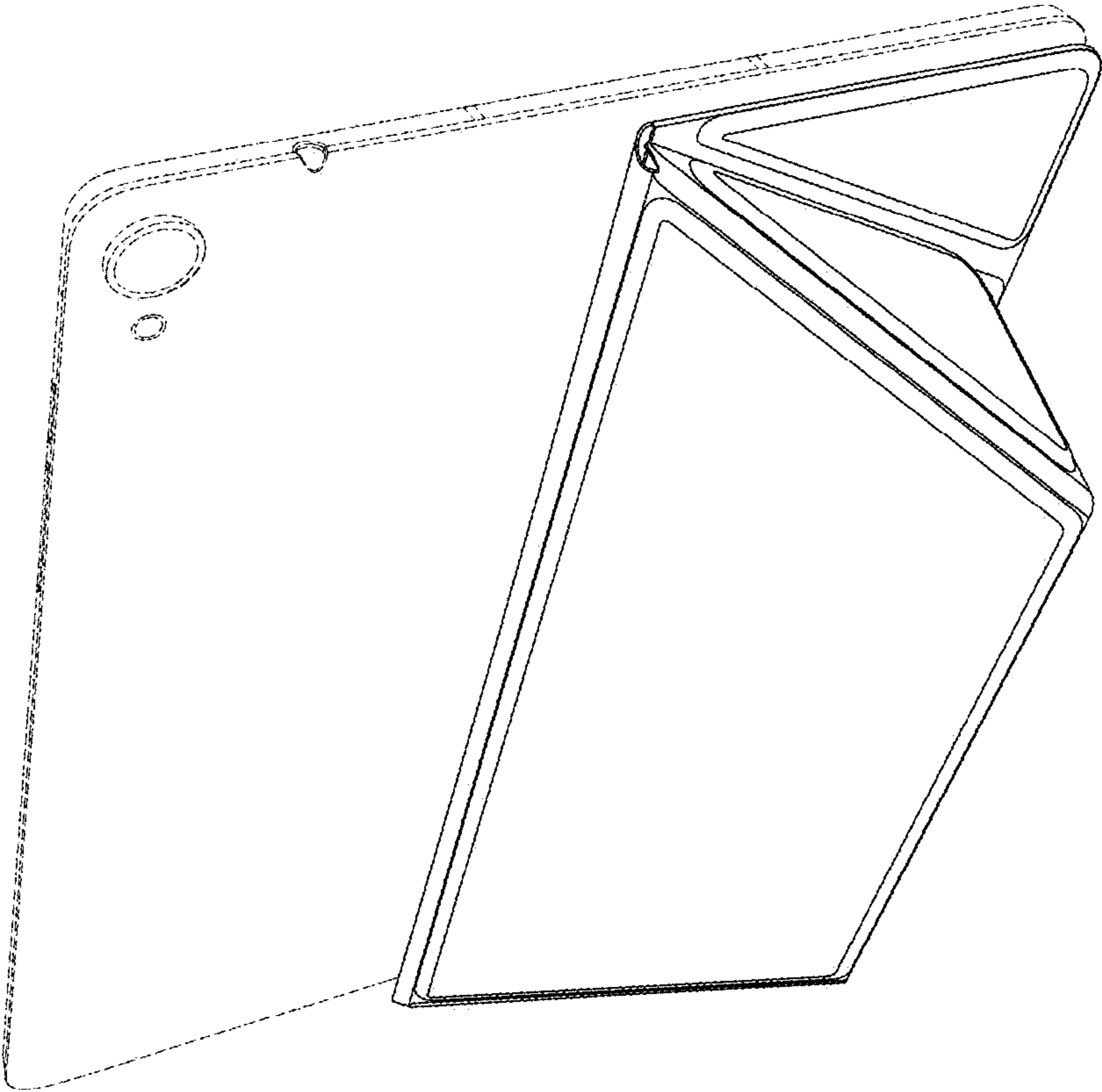


FIG. 8

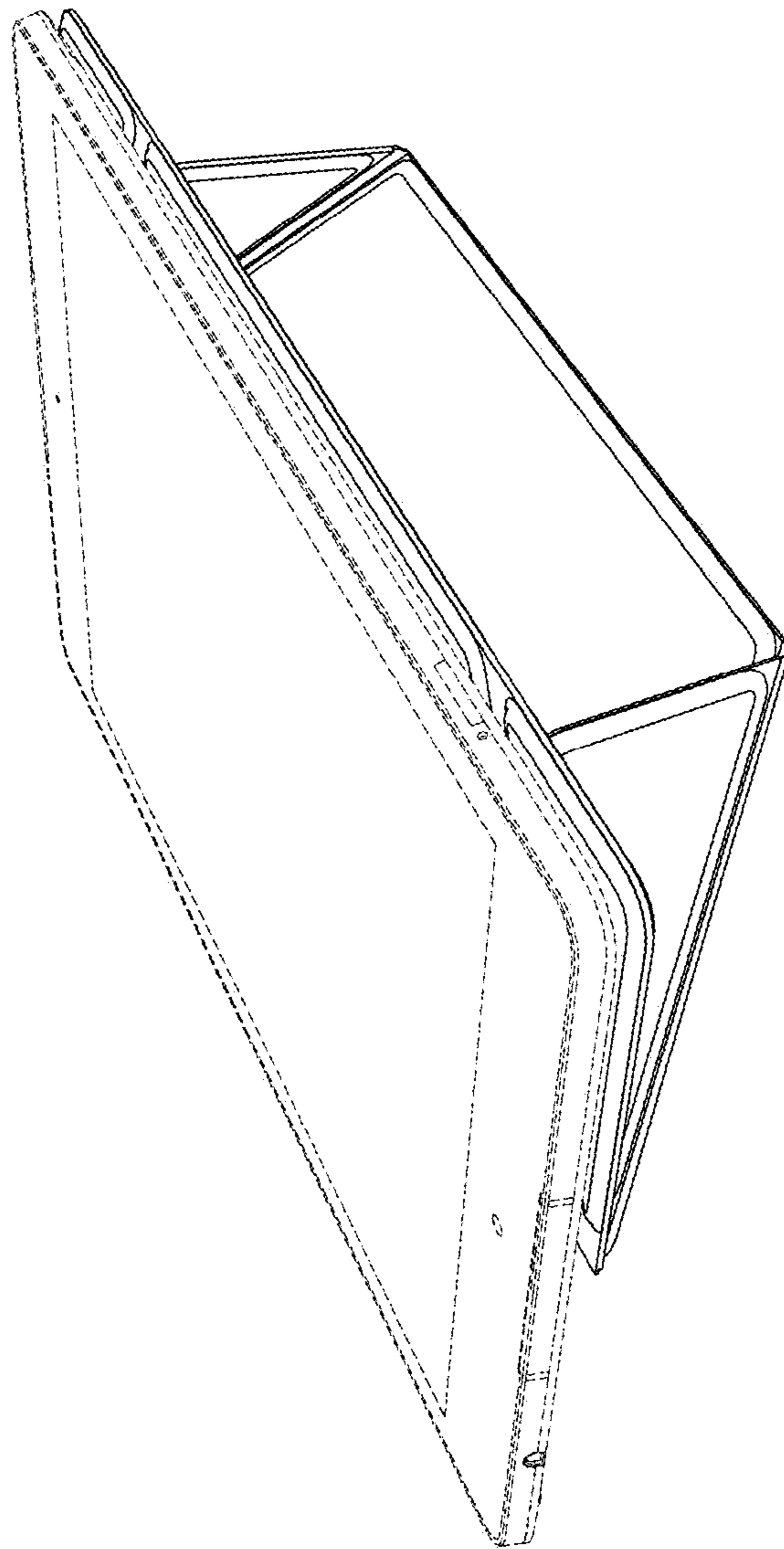


FIG. 9