



US00D726191S

(12) **United States Design Patent**  
**Tseng et al.**

(10) **Patent No.:** **US D726,191 S**  
(45) **Date of Patent:** **\*\* Apr. 7, 2015**

(54) **COVER**

- (71) Applicant: **ASUSTeK Computer Inc.**, Taipei (TW)
- (72) Inventors: **Yu-Ho Tseng**, Taipei (TW); **Chen-Lun Sun**, Taipei (TW)
- (73) Assignee: **ASUSTeK COMPUTER Inc.**, Taipei (TW)
- (\*\*) Term: **14 Years**

- (21) Appl. No.: **29/480,623**
- (22) Filed: **Jan. 28, 2014**
- (51) **LOC (10) Cl.** ..... **14-02**
- (52) **U.S. Cl.**  
USPC ..... **D14/440**
- (58) **Field of Classification Search**  
CPC ... G06F 1/1601; G06F 1/1626; G06F 1/1633;  
G06F 1/1675; G06F 1/1679; G02F 1/1306;  
G02F 1/133; G02F 1/133308; G02F 1/153;  
G02F 1/1533; G02F 2001/133317; H04M  
1/185; H04M 1/0252; H04B 1/3888  
USPC ..... D14/250, 251, 253, 240, 217, 496, 440,  
D14/203.3, 203.4, 203.5, 203.8, 341, 318;  
D3/218, 215, 201, 294, 289, 900;  
220/4.02; 248/309.1; 361/679.56;  
379/426, 433.11, 455; 455/575.1,  
455/575.8, 457.1; 190/100; 206/305, 320,  
206/45.2; D21/469; 312/240  
See application file for complete search history.

(56) **References Cited**

**U.S. PATENT DOCUMENTS**

1,613,536	A *	1/1927	Rose	.....	132/315
D230,376	S *	2/1974	Andrew	.....	D19/91
4,259,568	A *	3/1981	Dynesen	.....	235/1 D
6,772,879	B1 *	8/2004	Domotor	.....	206/45.23
7,281,698	B2 *	10/2007	Patterson, Jr.	.....	248/458
7,414,833	B2 *	8/2008	Kittayapong	.....	361/679.27
7,735,644	B2 *	6/2010	Sirichai et al.	.....	206/320

(Continued)

**OTHER PUBLICATIONS**

<https://www.youtube.com/watch?v=4UxwzmvFR4#t=41>, video, Nov. 6, 2013, 21 pages.

*Primary Examiner* — Cynthia Underwood

(74) *Attorney, Agent, or Firm* — Muncy, Geissler, Olds & Lowe, P.C.

(57) **CLAIM**

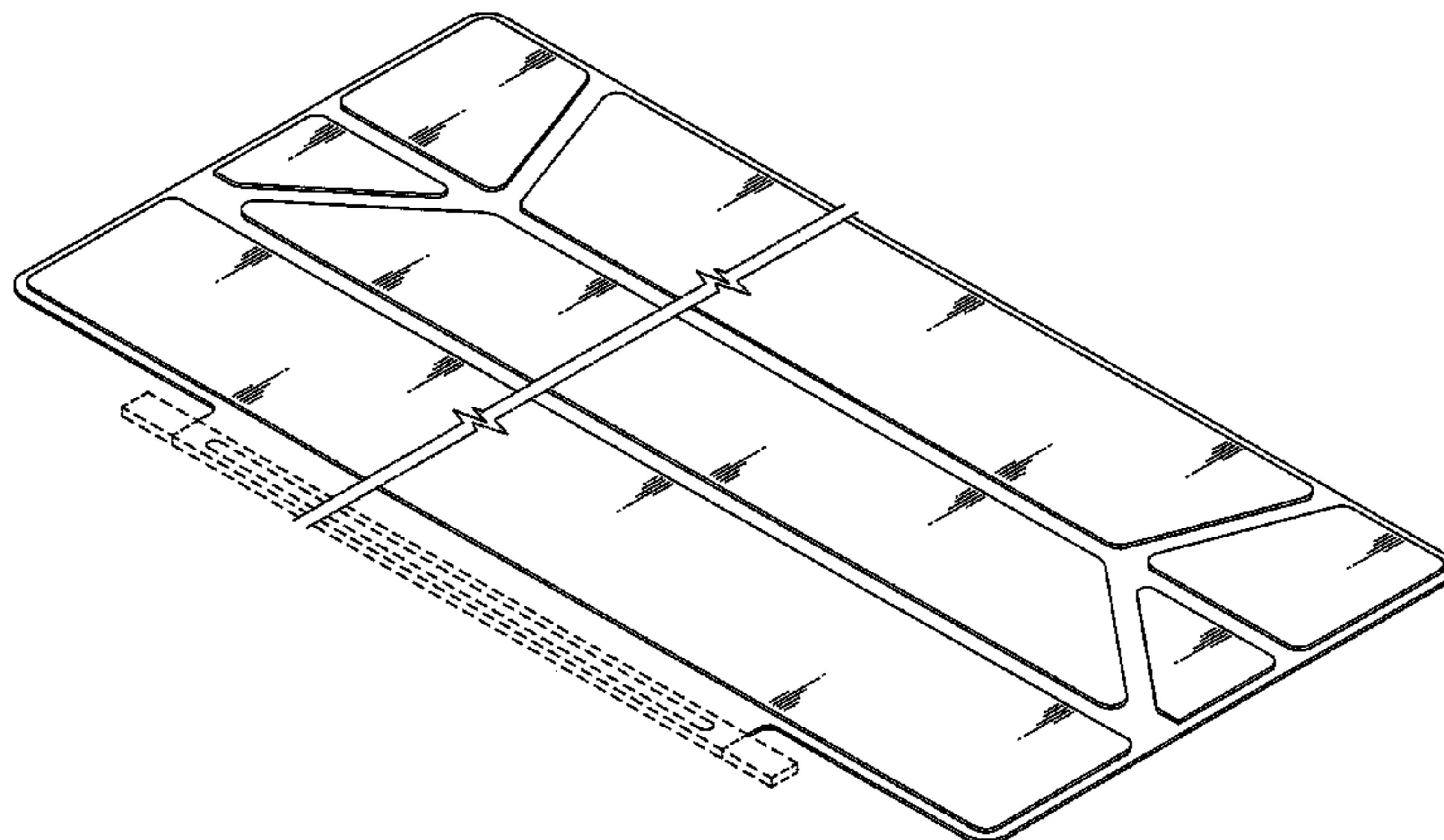
The ornamental design for cover, as shown and described.

**DESCRIPTION**

FIG. 1 is a perspective view according to a first embodiment of our new design;  
 FIG. 2 is a front elevational view thereof;  
 FIG. 3 is a rear elevational view thereof;  
 FIG. 4 is a left-side elevational view thereof;  
 FIG. 5 is a right-side elevational view thereof;  
 FIG. 6 is a top plan view thereof;  
 FIG. 7 is a bottom plan view thereof;  
 FIG. 8 is another perspective view of a second embodiment of the design;  
 FIG. 9 is a front elevational view thereof;  
 FIG. 10 is a rear elevational view thereof;  
 FIG. 11 is a left-side elevational view thereof;  
 FIG. 12 is a right-side elevational view thereof;  
 FIG. 13 is a top plan view thereof;  
 FIG. 14 is a bottom plan view thereof;  
 FIG. 15 is another perspective view of a third embodiment of the design;  
 FIG. 16 is a front elevational view thereof;  
 FIG. 17 is a rear elevational view thereof;  
 FIG. 18 is a left-side elevational view thereof;  
 FIG. 19 is a right-side elevational view thereof;  
 FIG. 20 is a top plan view thereof; and,  
 FIG. 21 is a bottom plan view thereof.

The broken lines shown in the figures illustrate environmental structures and form no part of the claimed design. The draftsperson break lines shown in figures form no part of the claimed design and the portions between such wave lines disclose indeterminate length.

**1 Claim, 15 Drawing Sheets**



(56)

## References Cited

## U.S. PATENT DOCUMENTS

D658,187	S *	4/2012	Diebel	.....	D14/440
D658,188	S *	4/2012	Diebel	.....	D14/440
D663,304	S *	7/2012	Akana et al.	.....	D14/440
8,230,992	B2 *	7/2012	Law et al.	.....	206/320
8,245,843	B1 *	8/2012	Wu	.....	206/320
8,312,991	B2 *	11/2012	Diebel et al.	.....	206/45.24
D671,948	S *	12/2012	Akana et al.	.....	D14/440
D672,353	S *	12/2012	Liu	.....	D14/440
D672,781	S *	12/2012	Lu	.....	D14/440
D675,625	S *	2/2013	Hasbrook et al.	.....	D14/440
D678,260	S *	3/2013	Bau	.....	D14/250
D679,279	S *	4/2013	Yang et al.	.....	D14/440
D679,715	S *	4/2013	Akana et al.	.....	D14/440
8,424,830	B2 *	4/2013	Yang et al.	.....	248/459
D681,641	S *	5/2013	Van Den Nieuwenhuizen et al.	.....	D14/440
D682,836	S *	5/2013	Akana et al.	.....	D14/440
D682,838	S *	5/2013	Akana et al.	.....	D14/440
D683,141	S *	5/2013	Symons	.....	D6/310
D687,438	S *	8/2013	Lu	.....	D14/440
D690,305	S *	9/2013	Wen	.....	D14/440
D690,702	S *	10/2013	Chung	.....	D14/440
D691,142	S *	10/2013	Diebel	.....	D14/440
D692,434	S *	10/2013	Kim	.....	D14/440
D693,823	S *	11/2013	Chen et al.	.....	D14/440
D695,296	S *	12/2013	Hsu	.....	D14/440
D696,253	S *	12/2013	Akana et al.	.....	D14/345
D696,256	S *	12/2013	Piedra et al.	.....	D14/440
D696,669	S *	12/2013	Akana et al.	.....	D14/440
8,640,864	B2 *	2/2014	Chen et al.	.....	206/45.2
8,657,112	B2 *	2/2014	Igarashi	.....	206/320
D701,205	S *	3/2014	Akana et al.	.....	D14/345
D702,673	S *	4/2014	Murchison et al.	.....	D14/250
D704,689	S *	5/2014	Chang	.....	D14/250
D704,693	S *	5/2014	Kim	.....	D14/250
D706,270	S *	6/2014	Akana et al.	.....	D14/440
D706,783	S *	6/2014	Almodova	.....	D14/440
D707,229	S *	6/2014	Almodova	.....	D14/440
8,757,375	B2 *	6/2014	Huang	.....	206/320
D708,838	S *	7/2014	Lee	.....	D3/201
8,763,795	B1 *	7/2014	Oten et al.	.....	206/45.23
8,766,921	B2 *	7/2014	Ballagas et al.	.....	345/168
8,773,353	B2 *	7/2014	Wei	.....	345/156
8,783,458	B2 *	7/2014	Gallagher et al.	.....	206/320
D710,859	S *	8/2014	Mecchella et al.	.....	D14/440
8,797,132	B2 *	8/2014	Childs et al.	.....	335/219
D713,847	S *	9/2014	Su	.....	D14/440
D713,848	S *	9/2014	Akana et al.	.....	D14/440
2003/0034263	A1 *	2/2003	D'Hoste	.....	206/320
2008/0302687	A1 *	12/2008	Sirichai et al.	.....	206/320
2009/0159763	A1 *	6/2009	Kim	.....	248/174
2011/0266194	A1 *	11/2011	Bau	.....	206/736
2011/0290687	A1 *	12/2011	Han	.....	206/320
2012/0211377	A1 *	8/2012	Sajid	.....	206/216
2012/0211613	A1 *	8/2012	Yang et al.	.....	248/174
2012/0305413	A1 *	12/2012	Chung	.....	206/45.23
2012/0308981	A1 *	12/2012	Libin et al.	.....	434/362
2013/0015088	A1 *	1/2013	Wu	.....	206/320
2013/0020216	A1 *	1/2013	Chiou	.....	206/320
2013/0140203	A1 *	6/2013	Chiang	.....	206/320
2013/0213838	A1 *	8/2013	Tsai et al.	.....	206/320
2013/0214661	A1 *	8/2013	McBroom	.....	312/325
2013/0241381	A1 *	9/2013	Hyneczek et al.	.....	312/240
2013/0264459	A1 *	10/2013	McCosh et al.	.....	248/688

\* cited by examiner

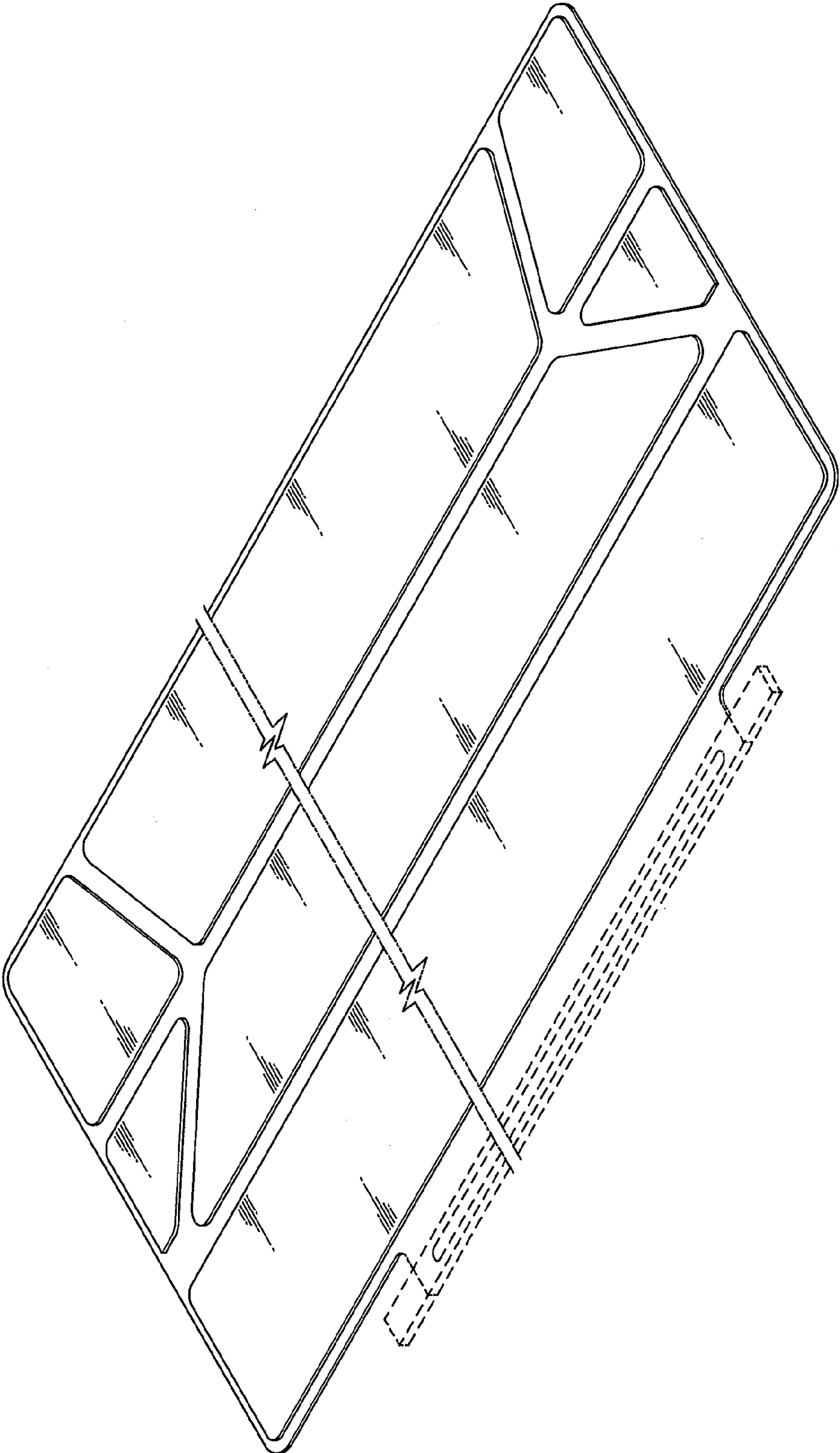


FIG.1

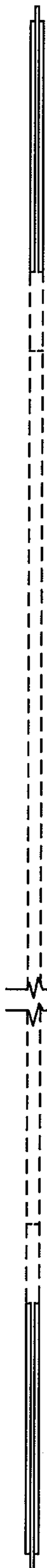


FIG. 2

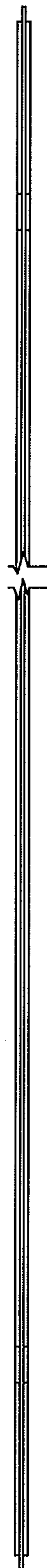


FIG. 3



FIG.4



FIG.5

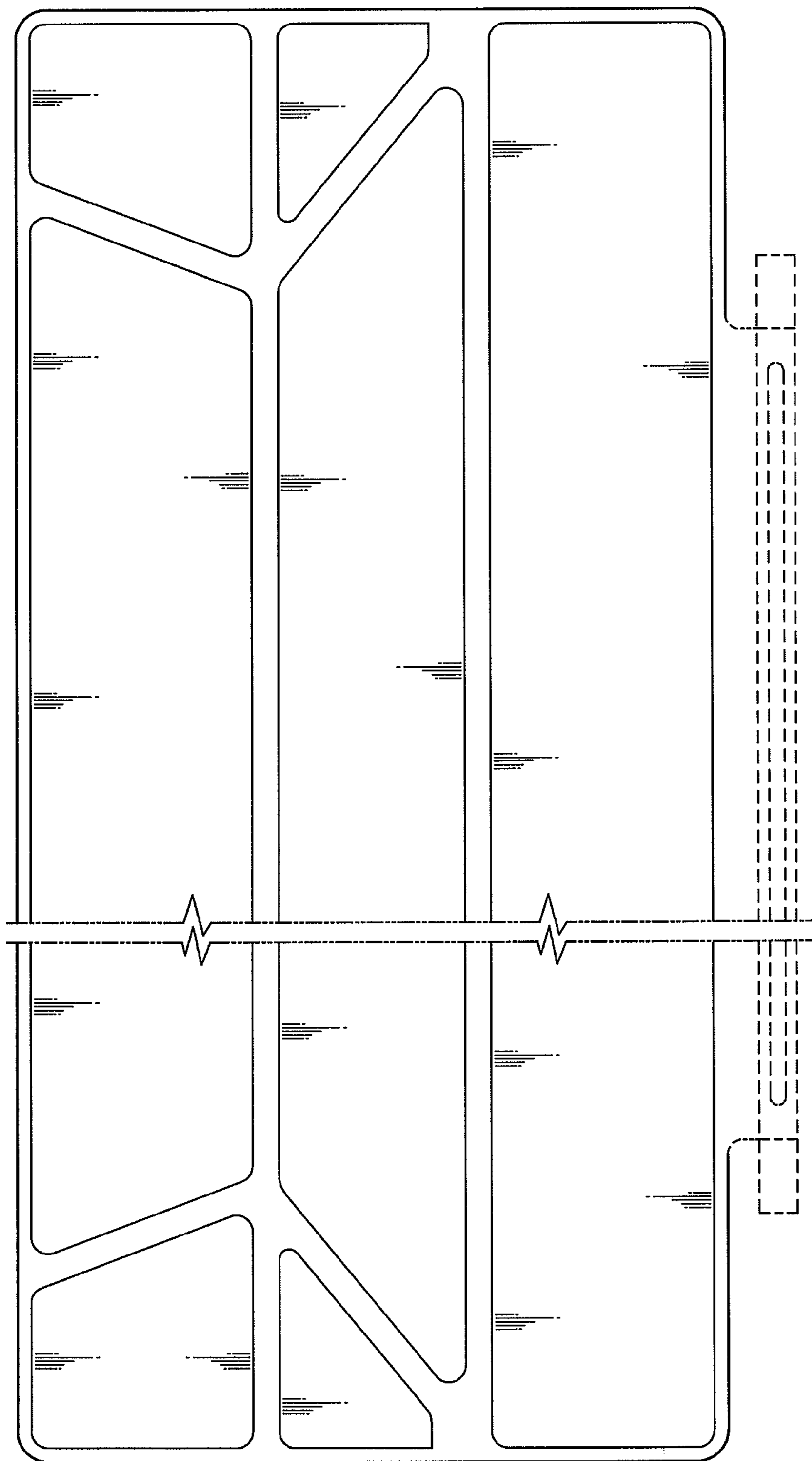


FIG.6

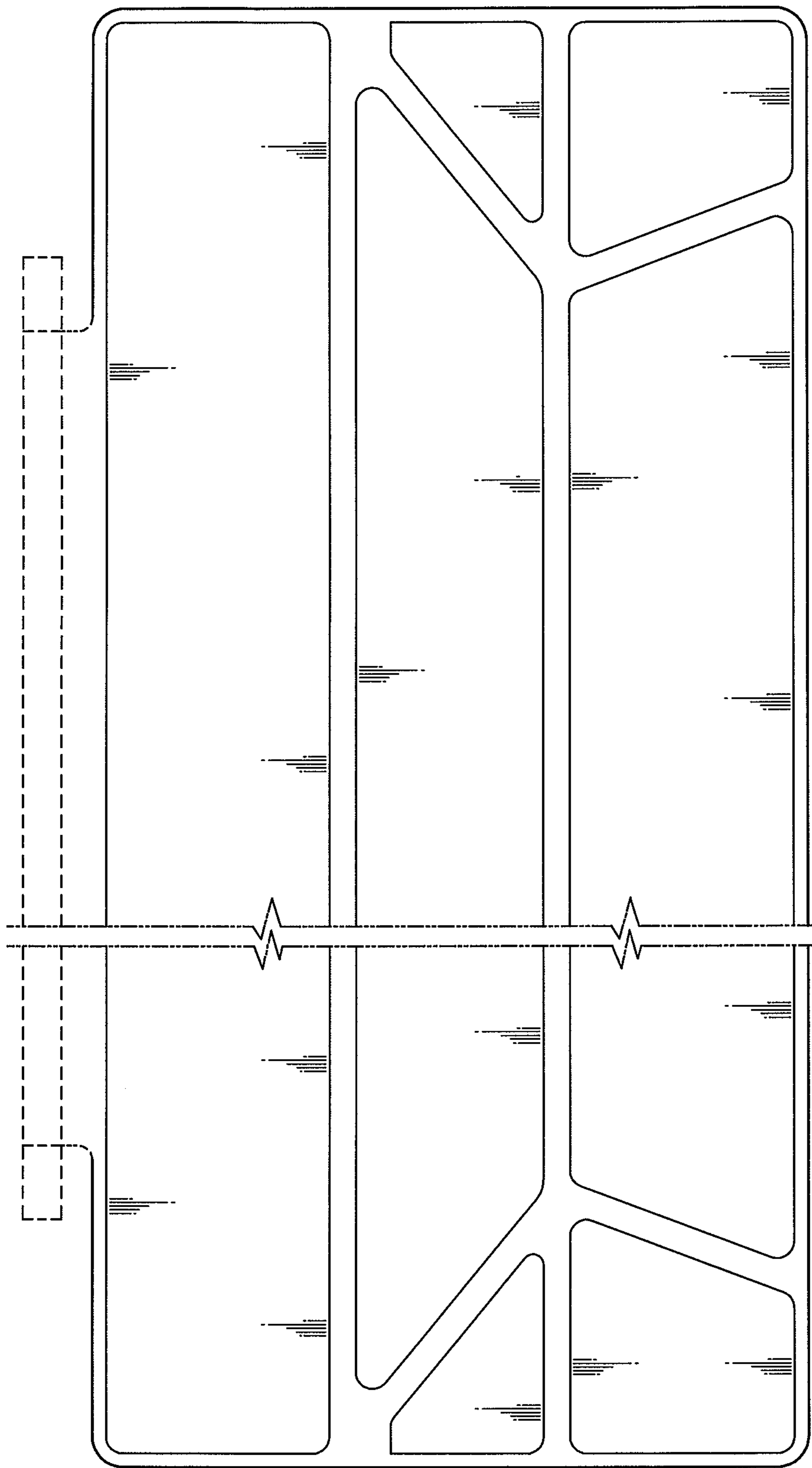


FIG.7

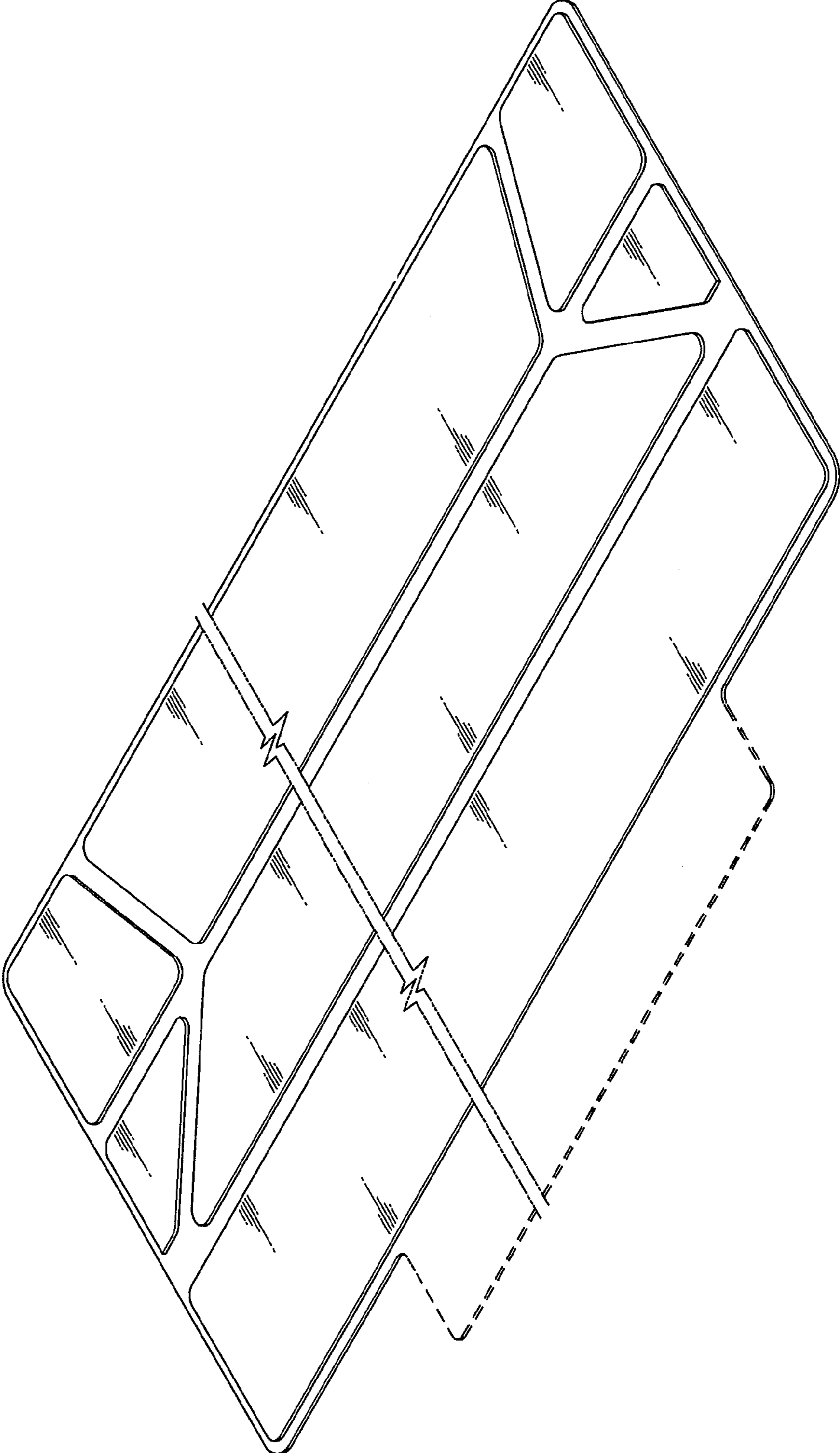


FIG.8





FIG. 9



FIG. 10



FIG.11



FIG.12

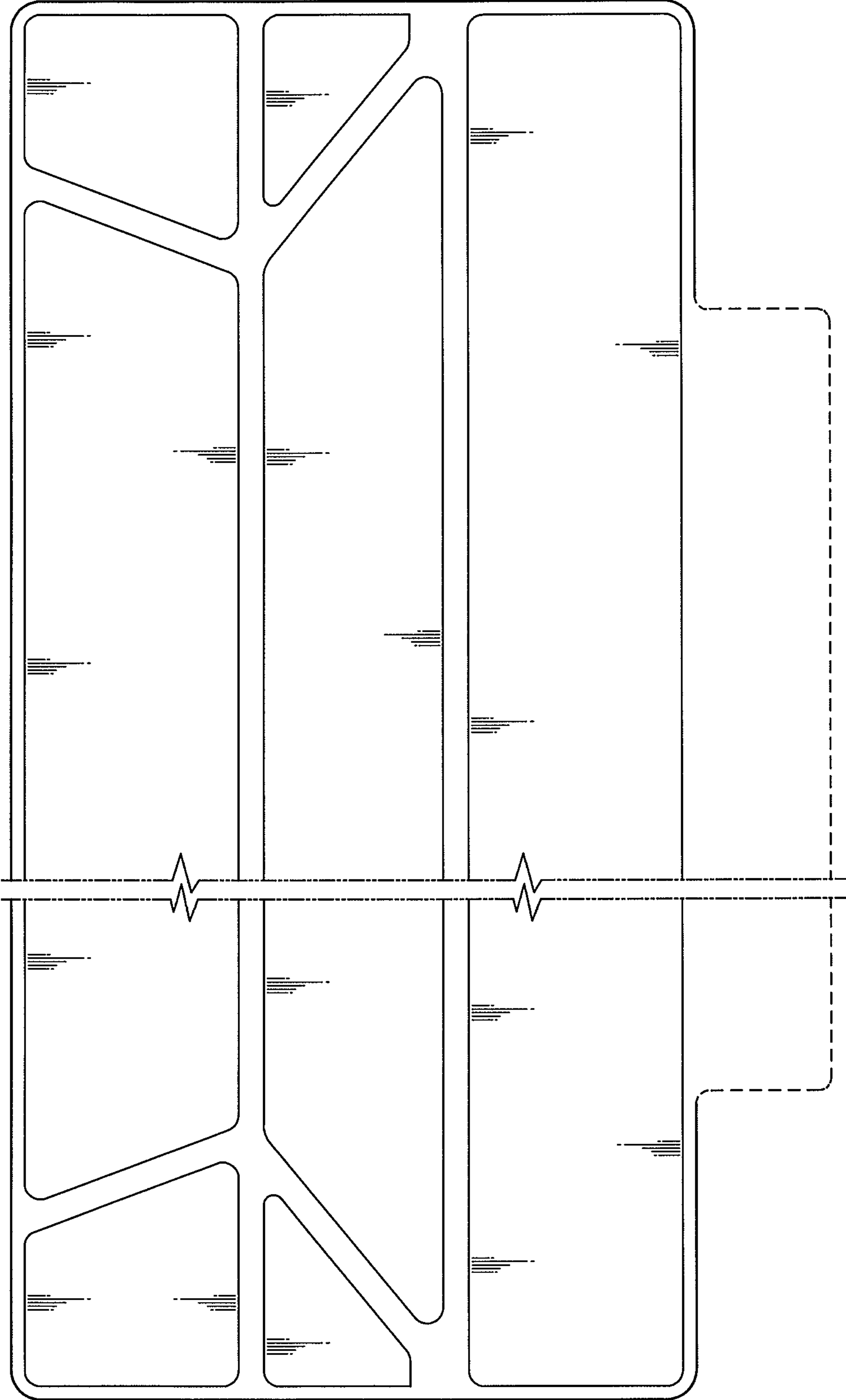


FIG.13

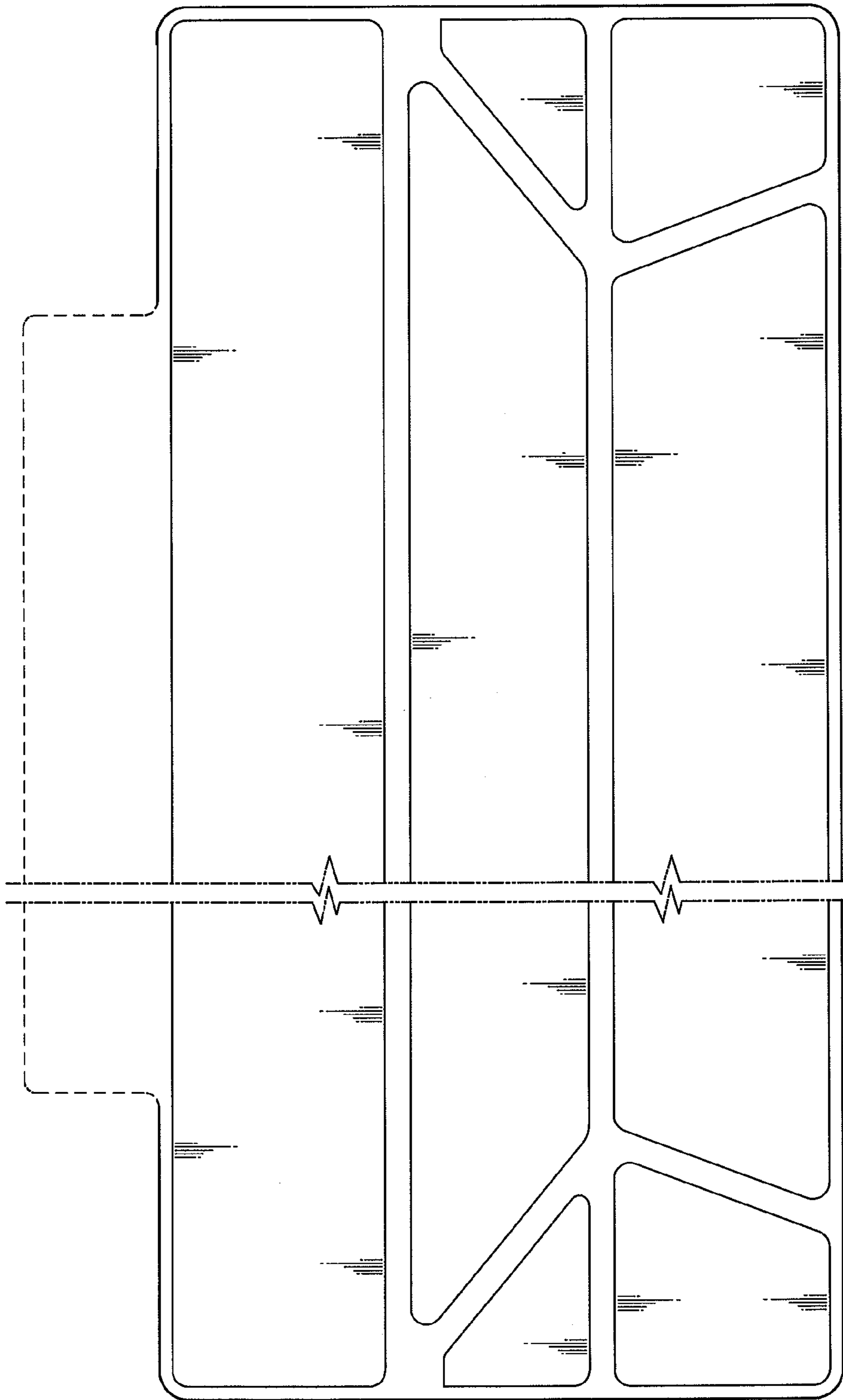


FIG.14

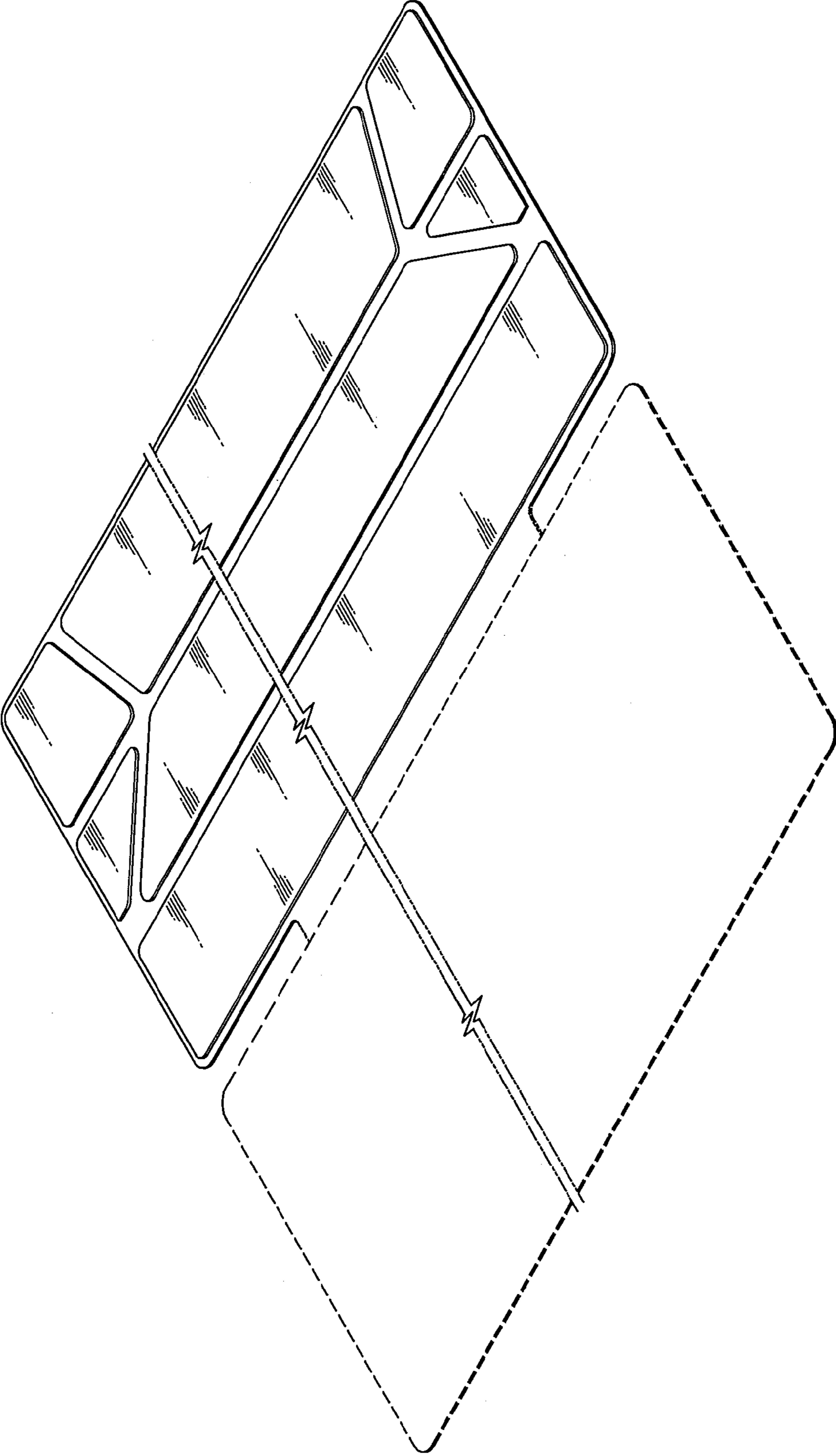


FIG.15



FIG.16



FIG.17



FIG. 18



FIG. 19

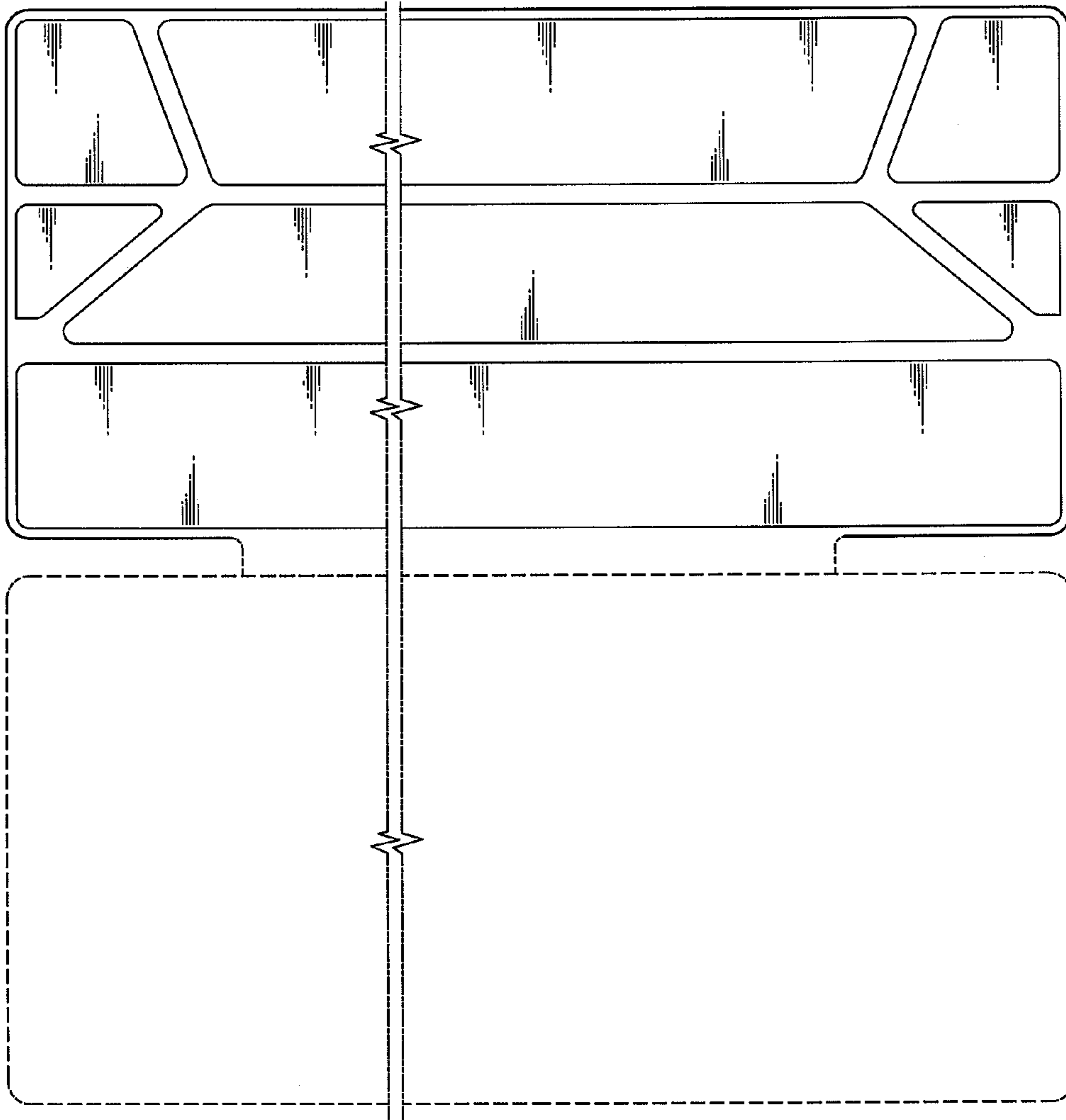


FIG.20



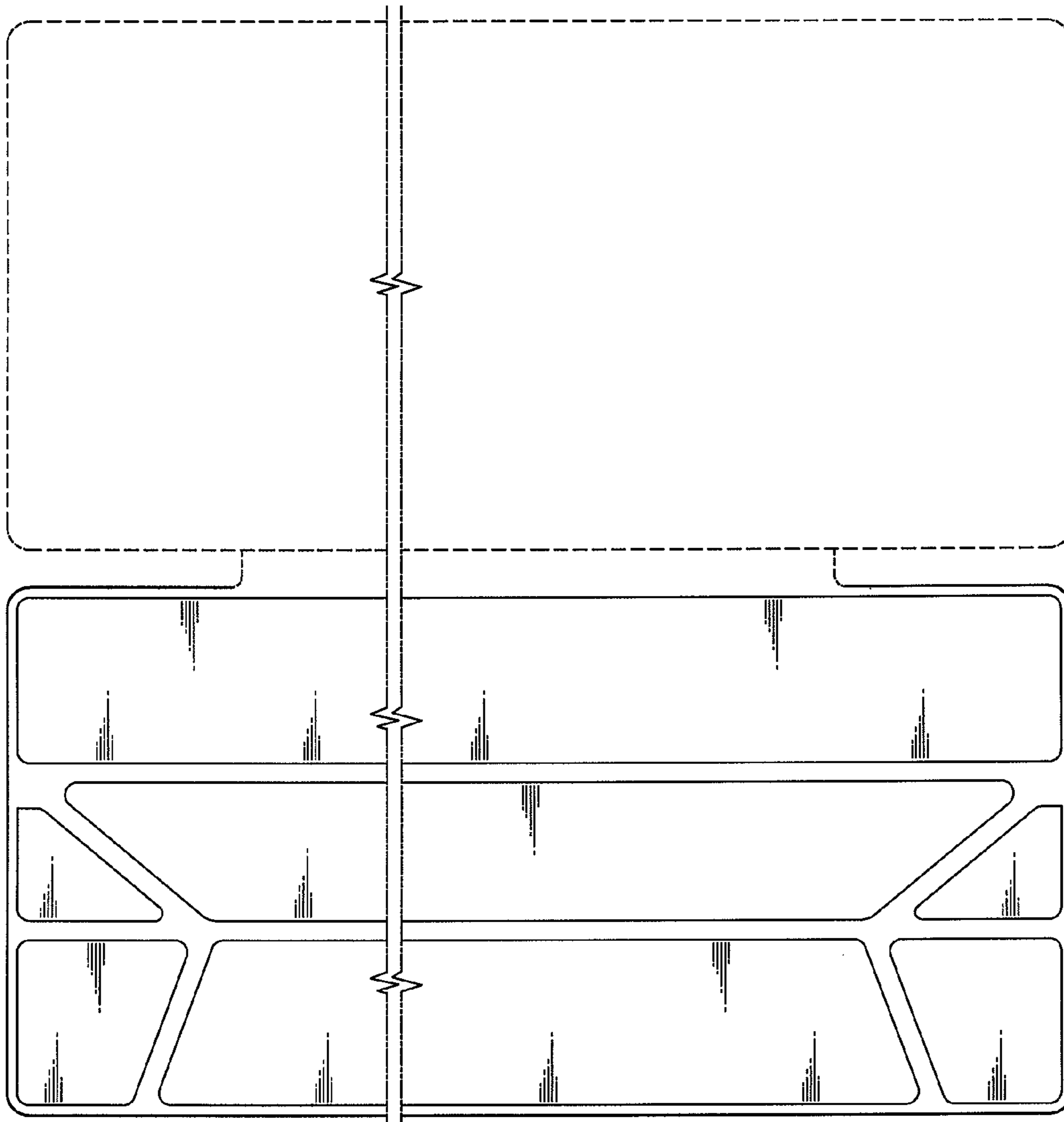


FIG.21