



US00D726190S

(12) **United States Design Patent**  
**Lee et al.**

(10) **Patent No.:** **US D726,190 S**  
(45) **Date of Patent:** **\*\* Apr. 7, 2015**

(54) **DIGITAL CLIPBOARD CASE**

(71) Applicant: **Samsung Electronics Co., Ltd.**,  
Suwon-si, Gyeonggi-do (KR)

(72) Inventors: **Eui-Ju Lee**, Seoul (KR); **Sung-Jin Park**, Seoul (KR)

(73) Assignee: **Samsung Electronics Co., Ltd.**,  
Suwon-si (KR)

(\*\*) Term: **14 Years**

(21) Appl. No.: **29/447,501**

(22) Filed: **Mar. 4, 2013**

(30) **Foreign Application Priority Data**

Sep. 5, 2012 (KR) ..... 30-2012-0042609

(51) **LOC (10) Cl.** ..... **14-02**

(52) **U.S. Cl.**  
USPC ..... **D14/440**

(58) **Field of Classification Search**

CPC ... G06F 1/1601; G06F 1/1626; G06F 1/1633;  
G06F 1/1675; G06F 1/1679; G02F 1/1306;  
G02F 1/133; G02F 1/133308; G02F 1/153;  
G02F 1/1533; G02F 2001/133317; H04M  
1/185; H04M 1/0252; H04B 1/3888

USPC ..... D14/250, 251, 253, 240, 217, 496, 440,  
D14/203.3, 203.4, 203.5, 203.8, 341, 318;  
D3/218, 215, 201, 294, 289, 900;  
220/4.02; 248/309.1; 361/679.56;  
379/426, 433.11, 455; 455/575.1,  
455/575.8, 457.1; 190/100; 206/305, 320,  
206/45.2; D21/469; 312/240

See application file for complete search history.

(56) **References Cited**

U.S. PATENT DOCUMENTS

D524,051 S \* 7/2006 Krueger ..... D3/303  
(Continued)

*Primary Examiner* — Cynthia Underwood  
(74) *Attorney, Agent, or Firm* — NSIP Law

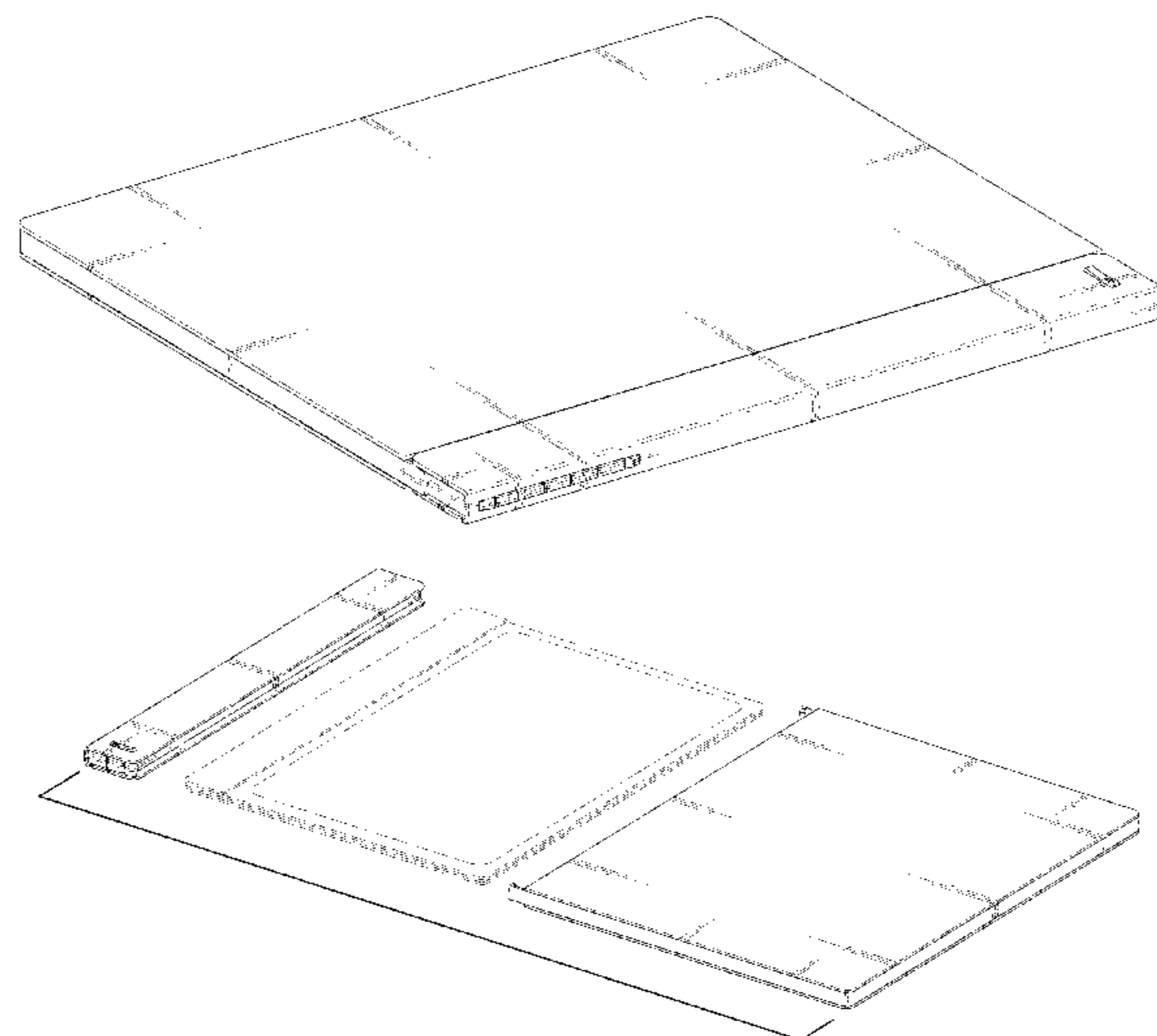
(57) **CLAIM**  
The ornamental design for a digital clipboard case, as shown and described.

**DESCRIPTION**

FIG. 1 is a front perspective view of a digital clipboard case; FIG. 2 is a front view of the digital clipboard case of FIG. 1; FIG. 3 is a rear view of the digital clipboard case of FIG. 1; FIG. 4 is a left-side view of the digital clipboard case of FIG. 1; FIG. 5 is a right-side view of the digital clipboard case of FIG. 1; FIG. 6 is a top plan view of the digital clipboard case of FIG. 1; FIG. 7 is a bottom plan view of the digital clipboard case of FIG. 1; FIG. 8 is an exploded perspective view of the digital clipboard case of FIG. 1 where the components have been extracted from each other for ease of illustration; FIG. 9 is a second exploded perspective view of the digital clipboard case of FIG. 1 where the components have been extracted from each other for ease of illustration, showing an example environment; FIG. 10 is a perspective view of one component of the digital clipboard case of FIG. 1 shown in an open position and removed from the other component, in example environment; and, FIG. 11 is a perspective view of one component of the digital clipboard case, the other component removed for ease of illustration.

The features shown in broken lines in FIGS. 9 and 10 are for illustrative purposes only form no part of the claimed design.

**1 Claim, 9 Drawing Sheets**



# US D726,190 S

Page 2

---

(56)

## References Cited

### U.S. PATENT DOCUMENTS

7,502,225 B2 \* 3/2009 Solomon et al. .... 361/679.41  
D677,668 S \* 3/2013 Phillips et al. .... D14/440  
D695,745 S \* 12/2013 Kim ..... D14/440  
D700,186 S \* 2/2014 Feng ..... D14/447

D705,783 S \* 5/2014 Weng ..... D14/440  
D706,270 S \* 6/2014 Akana et al. .... D14/440  
D710,838 S \* 8/2014 Song ..... D14/250  
D713,847 S \* 9/2014 Su ..... D14/440

\* cited by examiner

FIG. 1

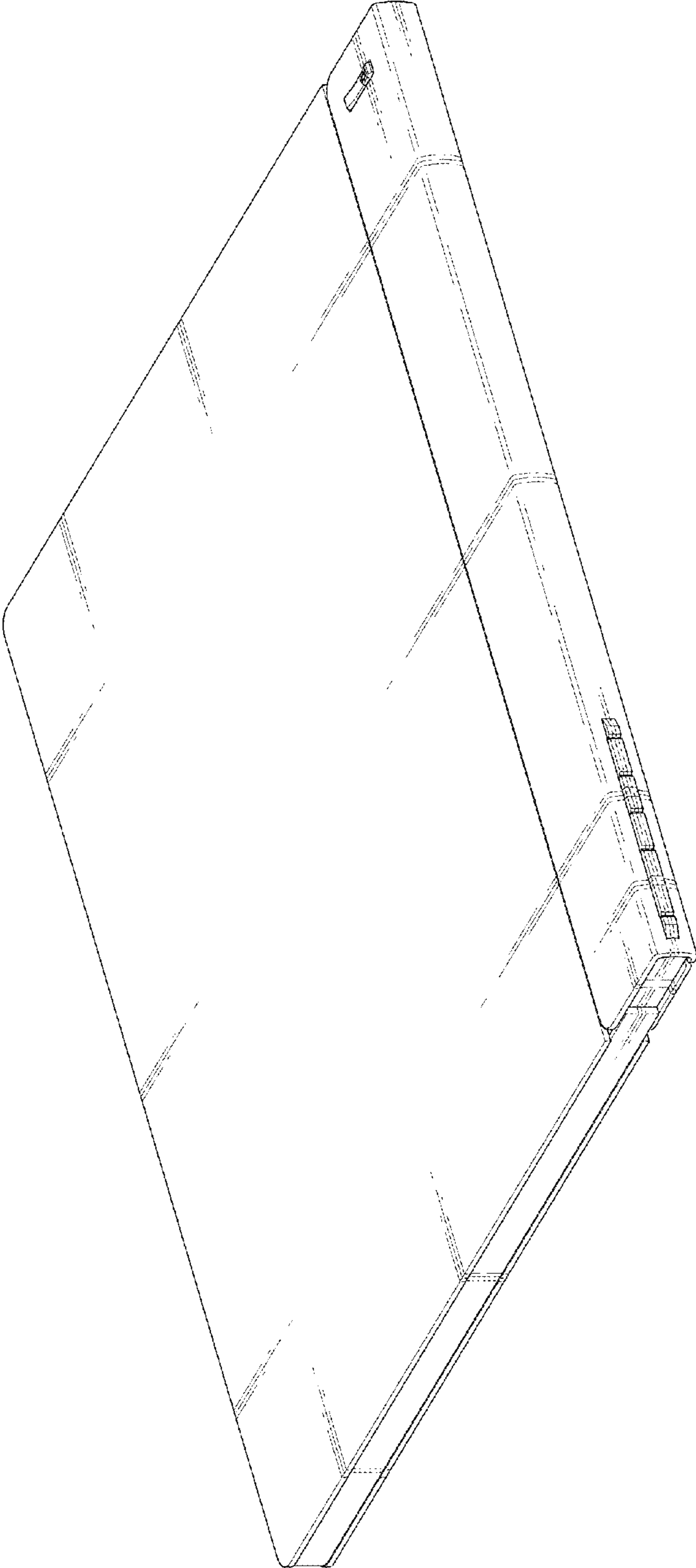


FIG. 2

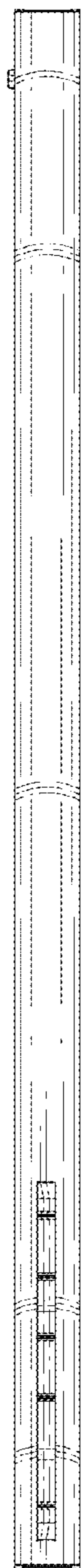


FIG. 3

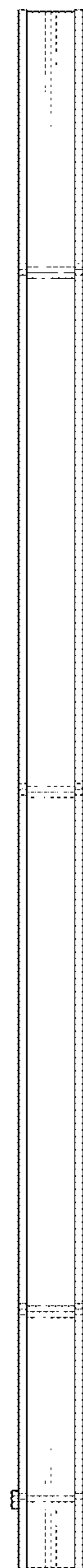


FIG. 4

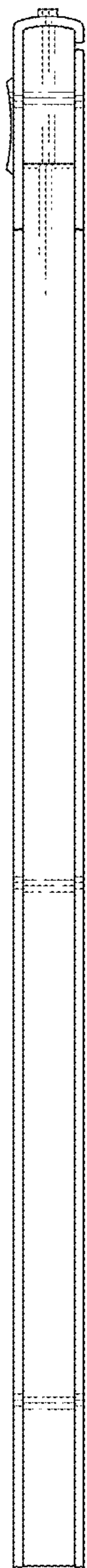


FIG. 5

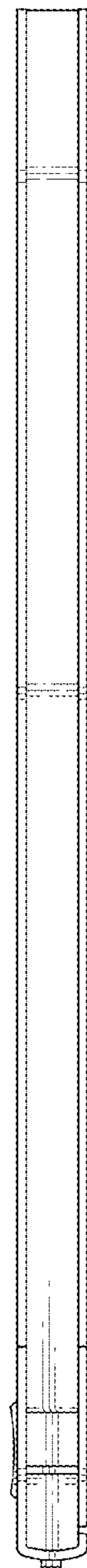


FIG. 6

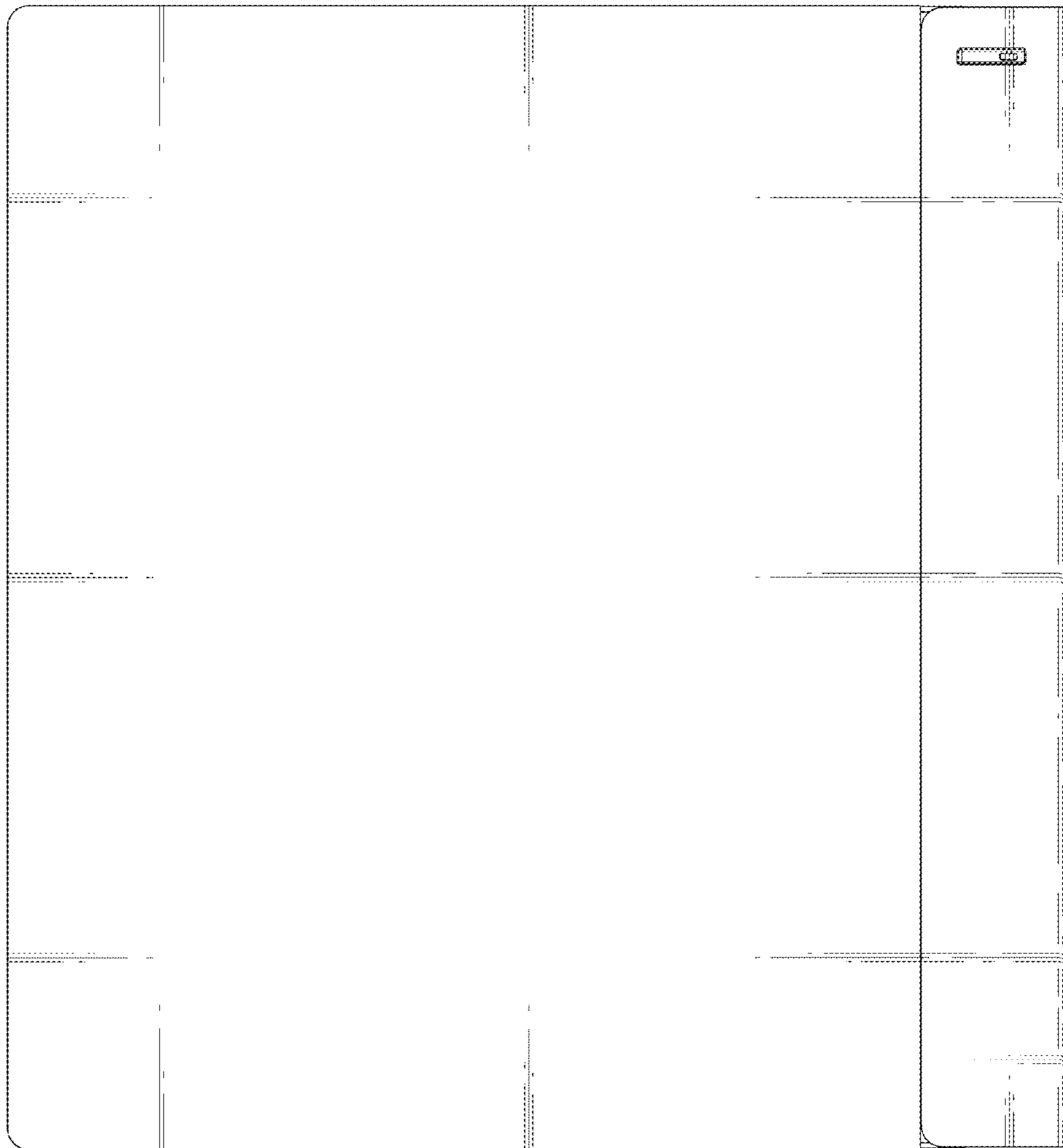


FIG. 7

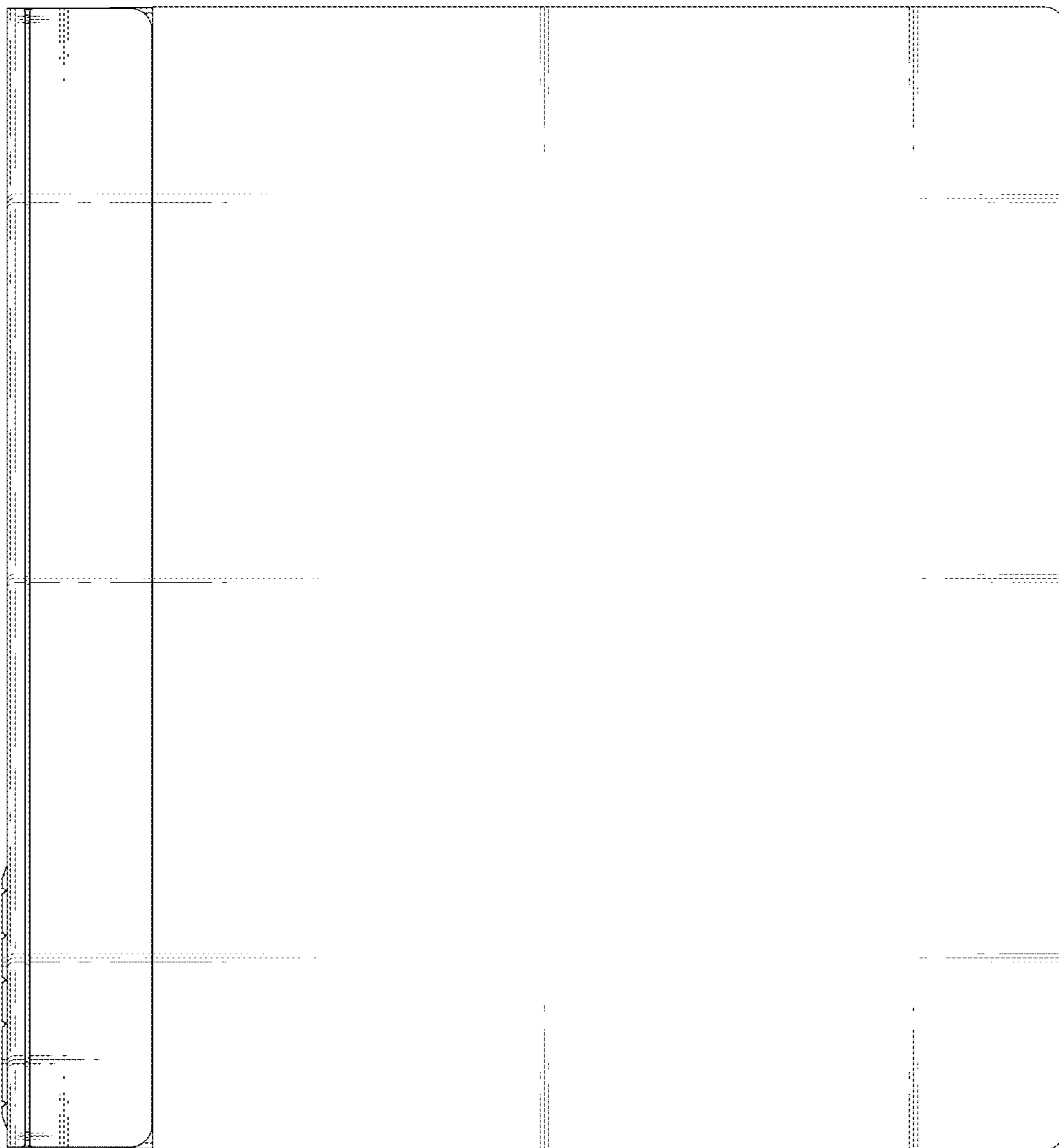


FIG. 8

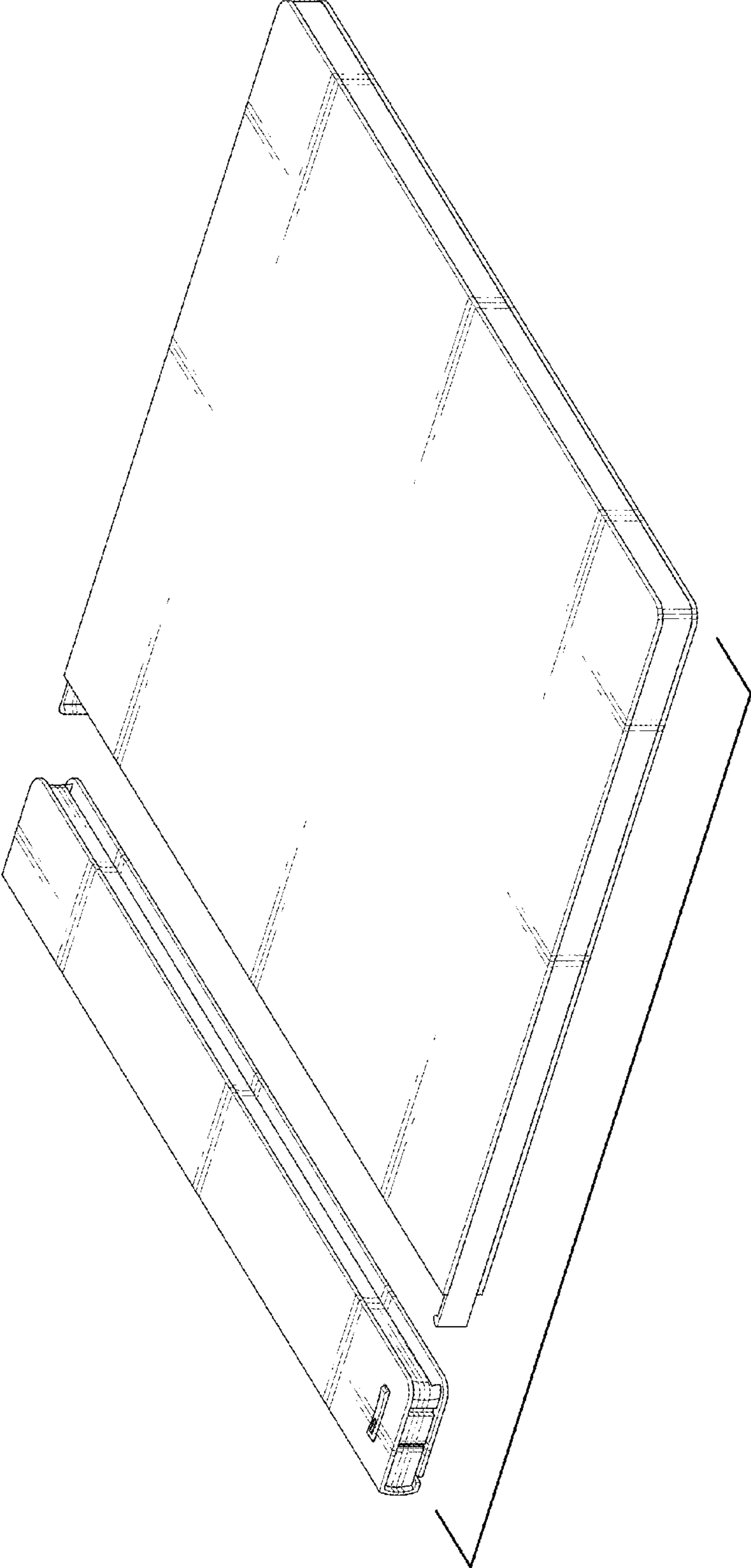




FIG. 9

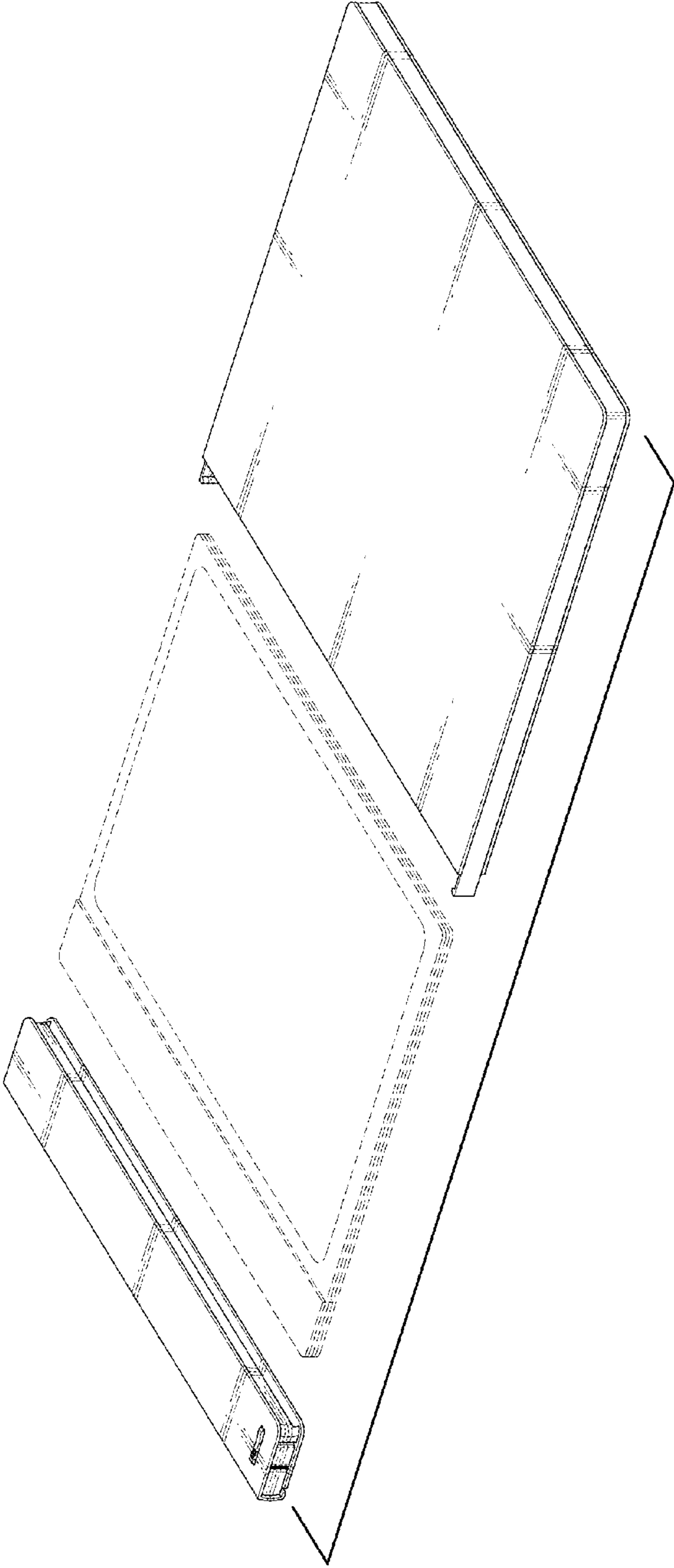


FIG. 10

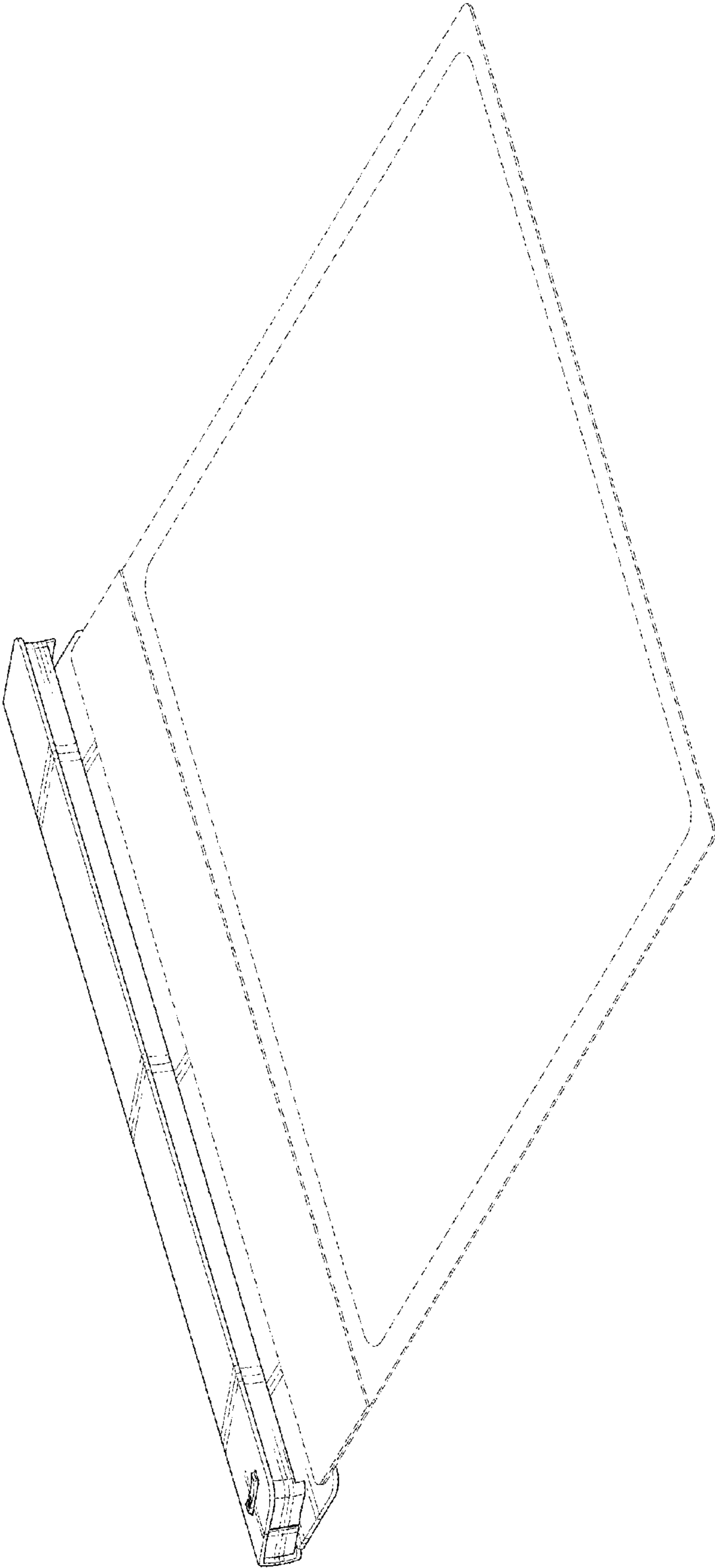


FIG. 11

