



US00D726189S

(12) **United States Design Patent**
Shu et al.

(10) **Patent No.:** **US D726,189 S**
(45) **Date of Patent:** **** Apr. 7, 2015**

(54) **SECURE DIGITAL CARD**

(71) Applicant: **Transcend Information, Inc.**, Taipei (TW)

(72) Inventors: **Tao-Ann Shu**, Taipei (TW); **Ssu-Ying Chen**, Taipei (TW)

(73) Assignee: **Transcend Information, Inc.**, Taipei (TW)

(**) Term: **14 Years**

(21) Appl. No.: **29/486,840**

(22) Filed: **Apr. 3, 2014**

(51) **LOC (10) Cl.** **14-02**

(52) **U.S. Cl.**
USPC **D14/436**

(58) **Field of Classification Search**

CPC G06K 19/06196; G06K 19/072; G06K 19/0721; G06K 19/0722; G06K 19/0723; G06K 19/0724; G06K 19/0725; G06K 19/0726; G06K 19/0727; G06K 19/0728; G06K 19/073; G06K 19/07309; G06K 19/077; G06K 19/07701; G06K 19/07715; G06K 19/0772; G06K 19/07722; G06K 19/07724; G06K 19/07726; G06K 19/07728; G06K 19/0773; G06K 19/07735; G06K 19/07737; G06K 19/07739; G06K 19/07741; G06K 19/07743; G06K 19/07745; G06K 19/07747; G06K 19/07749; G06K 19/07758; G06K 19/07767; G06K 19/07769; G06K 19/07771; G06K 19/07773; G06K 19/07775; G06K 19/083; G06K 19/086; G06K 19/145; G06K 19/18; G06K 2215/0022; G06K 2215/0025; G06K 2215/0028; G06K 2215/0031; G06K 2215/004; G06K 2215/0082; G06F 21/77-21/80; G06F 21/00; G06F 21/85-21/88; G06Q 20/3229; G06Q 20/34; G06Q 20/341; G06Q 20/346; G06Q 20/349; G06Q 20/3563; G06Q 20/3567; G06Q 20/357; G06Q 20/3576; H05K 5/026; H05K 5/0256; H05K 5/0265; H05K 5/0269; H05K 5/0273; H05K 5/0278;

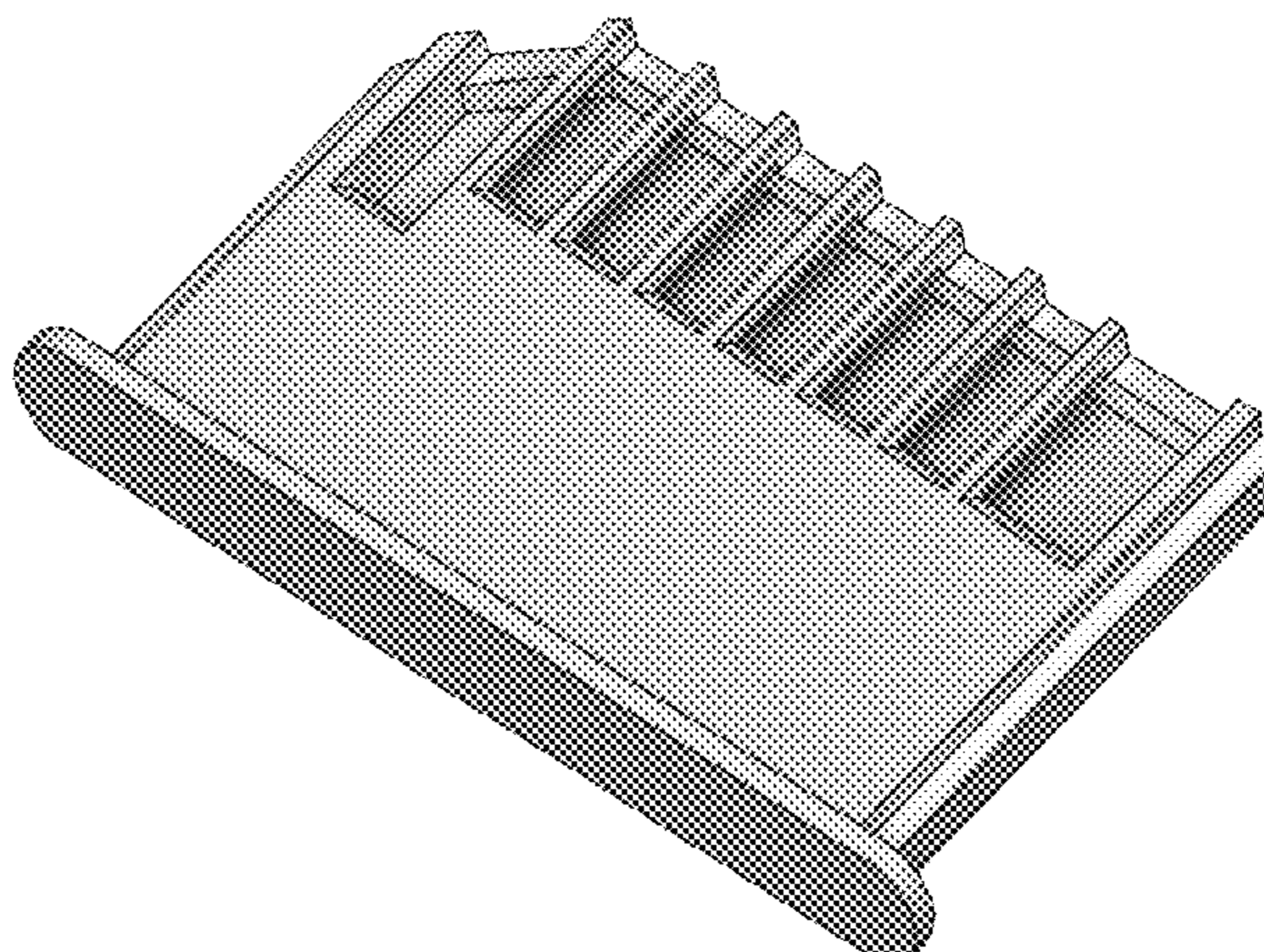
H05K 5/0282; H05K 5/0286; H05K 5/0291; H05K 5/0295; H05K 5/03; H05K 5/04; H05K 5/06; H05K 5/061; H05K 5/062; H05K 5/063; H05K 5/064; H05K 5/065; H05K 5/066; H05K 5/067; H05K 5/068; H05K 5/069; H05K 7/00; H05K 7/005; H05K 7/02; H05K 7/023; H05K 7/026; H05K 7/04; H05K 7/10; H05K 7/1418; H05K 7/142; H05K 7/1424; H05K 7/1427-7/1439; H05K 7/1461; H05K 7/1464-7/1474; H05K 7/1479; H05K 7/1481; H05K 7/1485-7/1488; H05K 2201/09745; H05K 2201/09754; H05K 2201/09763; H05K 2201/09772; H05K 2201/098; H05K 2201/09818; H05K 2201/10; H05K 2201/10007; H05K 2201/10098; H05K 2201/10143; H05K 2201/10159; H05K 2201/10174; H05K 2201/10212; H05K 2201/1028; H05K 2201/1031; H05K 2201/10431; H05K 2201/10446; H05K 2201/10462; H05K 2201/10545; H05K 2201/10553; H05K 2201/1056; H05K 2201/10621; H05K 2201/10636; H05K 2203/05; H05K 3/368; H05K 3/3436; H05K 3/36; H05K 3/40; H05K 3/4007; H05K 3/4015; H05K 3/403; H05K 3/4053; H05K 3/4092; H05K 3/42; H05K 3/421; H05K 3/46; H05K 1/14; H05K 1/141; H05K 1/142; H05K 1/144; H05K 1/145; H05K 1/182; H04N 2201/216
USPC D14/435-438, 478-480; 235/441, 443, 235/487, 492, 493, 495; 361/737, 679, 752, 361/736, 728, 796, 797, 729, 730, 361/725-727; 257/678, 679, 693, E23.064; 439/946, 948, 159; 174/250, 260, 52.1, 174/52.2; 710/300-303; 438/121

See application file for complete search history.

(56) **References Cited**

U.S. PATENT DOCUMENTS

D427,167 S * 6/2000 Iwasaki D14/436
D434,042 S * 11/2000 Yasufuku et al. D14/436
D444,473 S * 7/2001 Okamoto et al. D14/436
D445,111 S * 7/2001 Okamoto et al. D14/436



US D726,189 S

Page 2

D445,797	S *	7/2001	Lee et al.	D14/436	D641,050	S *	7/2011	Matsui et al.	D21/332
D446,525	S *	8/2001	Okamoto et al.	D14/436	D643,431	S *	8/2011	Nakamura	D14/436
6,381,143	B1 *	4/2002	Nakamura	361/737	D643,432	S *	8/2011	Nakamura	D14/436
D475,056	S *	5/2003	Taniguchi et al.	D14/436	8,060,131	B2 *	11/2011	Shin et al.	455/550.1
D475,713	S *	6/2003	Taniguchi et al.	D14/436	8,097,939	B2 *	1/2012	Okada	257/679
6,590,778	B1 *	7/2003	Hojo et al.	361/737	8,102,658	B2 *	1/2012	Hiew et al.	361/737
6,628,524	B1 *	9/2003	Washino et al.	361/737	8,254,134	B2 *	8/2012	Hiew et al.	361/737
6,636,773	B1 *	10/2003	Tagawa et al.	700/94	D667,830	S *	9/2012	Seoc et al.	D14/436
6,646,885	B1 *	11/2003	Yu et al.	361/737	D669,479	S *	10/2012	Lepp et al.	D14/436
D488,477	S *	4/2004	Yu et al.	D14/436	D670,292	S *	11/2012	Komatani et al.	D14/436
6,729,892	B2 *	5/2004	Takada et al.	439/159	D681,640	S *	5/2013	Aoki et al.	D14/436
D492,687	S *	7/2004	Yu et al.	D14/436	8,451,122	B2 *	5/2013	Narendra et al.	340/572.1
D493,798	S *	8/2004	Yu et al.	D14/436	D688,668	S *	8/2013	Ben-Gad et al.	D14/436
D494,180	S *	8/2004	Taniguchi	D14/436	8,637,978	B2 *	1/2014	Takiar et al.	257/704
6,816,386	B2 *	11/2004	Oguchi et al.	361/769	D700,183	S *	2/2014	Ridyard	D14/436
6,834,810	B2 *	12/2004	Maruyama	235/492	D704,192	S *	5/2014	Ridyard	D14/436
6,862,175	B1 *	3/2005	McClendon et al.	361/679.31	2005/0021909	A1 *	1/2005	Much et al.	711/115
6,903,935	B1 *	6/2005	Chen	361/737	2005/0247786	A1 *	11/2005	Chen	235/441
6,910,635	B1 *	6/2005	Miiks et al.	235/487	2005/0279838	A1 *	12/2005	Wang et al.	235/492
6,922,343	B2 *	7/2005	Nakanishi et al.	361/737	2007/0126099	A1 *	6/2007	Aoki et al.	257/679
6,970,359	B2 *	11/2005	Gochnour et al.	361/737	2007/0228536	A1 *	10/2007	Aoki	257/678
6,979,227	B2 *	12/2005	Ikeda	439/630	2007/0263365	A1 *	11/2007	Yamada et al.	361/737
7,009,846	B1 *	3/2006	Wang et al.	361/737	2008/0025003	A1 *	1/2008	Nishizawa et al.	361/737
7,049,690	B2 *	5/2006	Kakinoki	257/679	2008/0030963	A1 *	2/2008	Middlekauff et al.	361/737
7,059,871	B1 *	6/2006	Hsiao	439/76.1	2008/0225498	A1 *	9/2008	Osako et al.	361/737
D525,623	S *	7/2006	Takiar et al.	D14/436	2009/0009976	A1 *	1/2009	Nishikawa et al.	361/737
D529,031	S *	9/2006	Huang et al.	D14/436	2009/0021921	A1 *	1/2009	Jang et al.	361/737
D530,331	S *	10/2006	Yao	D14/436	2009/0073665	A1 *	3/2009	Jow	361/737
D531,181	S *	10/2006	Cuellar et al.	D14/436	2009/0323294	A1 *	12/2009	Moon	361/737
D533,556	S *	12/2006	Yamada et al.	D14/436	2010/0232118	A1 *	9/2010	Tochi et al.	361/737
D535,297	S *	1/2007	Cuellar et al.	D14/436	2013/0250525	A1 *	9/2013	Wang	361/737
7,179,129	B1 *	2/2007	Hwang	439/630					
D537,824	S *	3/2007	Day et al.	D14/436					
D542,797	S *	5/2007	Cuellar et al.	D14/436					
7,218,528	B2 *	5/2007	Chen	361/737					
D548,740	S *	8/2007	Takiar et al.	D14/436					
D552,099	S *	10/2007	Nishizawa et al.	D14/436					
D552,612	S *	10/2007	Nishizawa et al.	D14/436					
D554,123	S *	10/2007	Day et al.	D14/436					
7,307,848	B2 *	12/2007	Takiar	361/737					
7,320,622	B2 *	1/2008	Ying et al.	439/630					
7,336,498	B2 *	2/2008	Takiar et al.	361/737					
7,410,376	B2 *	8/2008	Ying et al.	439/159					
7,440,285	B2 *	10/2008	Centofante	361/737					
D581,932	S *	12/2008	Nishizawa et al.	D14/436					
D588,598	S *	3/2009	Nakamura	D14/436					
D588,599	S *	3/2009	Nakamura	D14/436					
7,547,234	B2 *	6/2009	Wallace	439/630					
7,615,855	B2 *	11/2009	Osako et al.	257/679					
7,719,845	B1 *	5/2010	Jang et al.	361/737					
7,768,789	B2 *	8/2010	Ni et al.	361/737					
7,795,714	B2 *	9/2010	Hiew et al.	257/679					
7,804,163	B2 *	9/2010	Hiew et al.	257/679					
7,813,137	B2 *	10/2010	Gu et al.	361/737					
7,830,666	B2 *	11/2010	Hiew et al.	361/737					
7,864,540	B2 *	1/2011	Takiar	361/737					

* cited by examiner

Primary Examiner — Susan Moon Lee

(74) *Attorney, Agent, or Firm* — CKC & Partners Co., Ltd.

(57)

CLAIM

The ornamental design for a secure digital card, as shown and described.

DESCRIPTION

FIG. 1 is a front, right, bottom perspective view of a secure digital card showing our new design;
 FIG. 2 is a front view thereof;
 FIG. 3 is a rear view thereof;
 FIG. 4 is a left side view thereof;
 FIG. 5 is a right side view thereof;
 FIG. 6 is a top view thereof; and,
 FIG. 7 is a bottom view thereof.

1 Claim, 7 Drawing Sheets

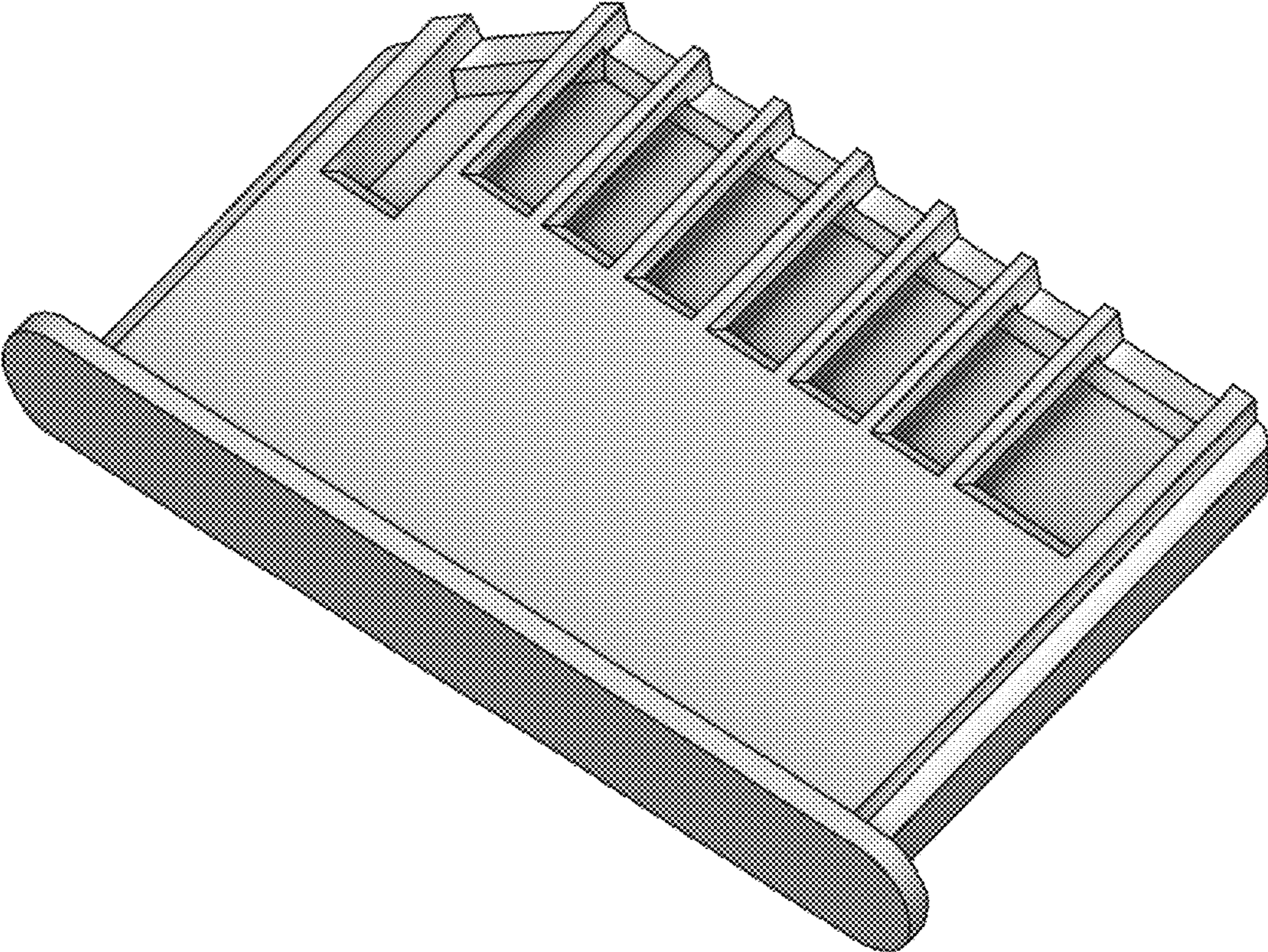


Fig. 1

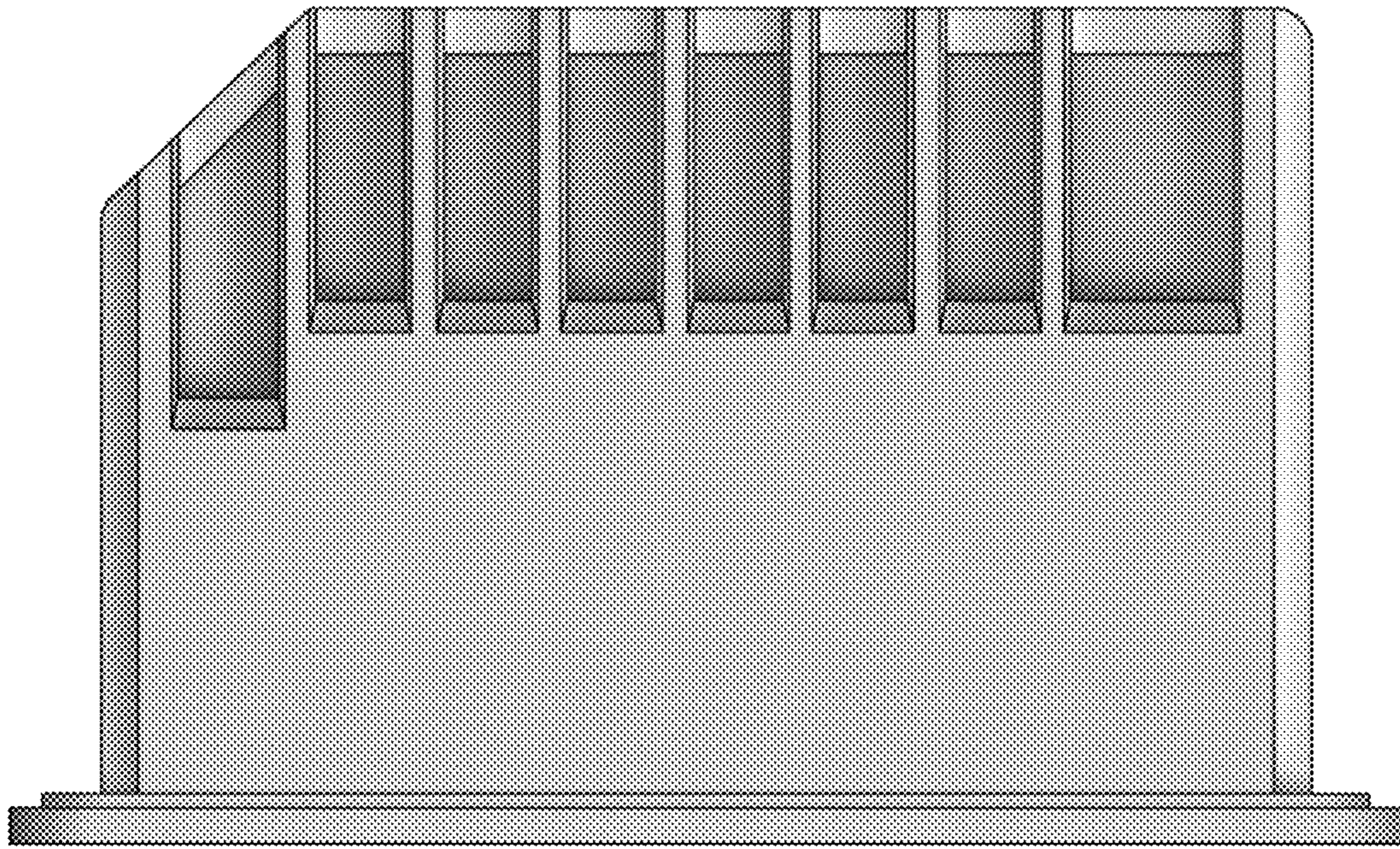


Fig. 2

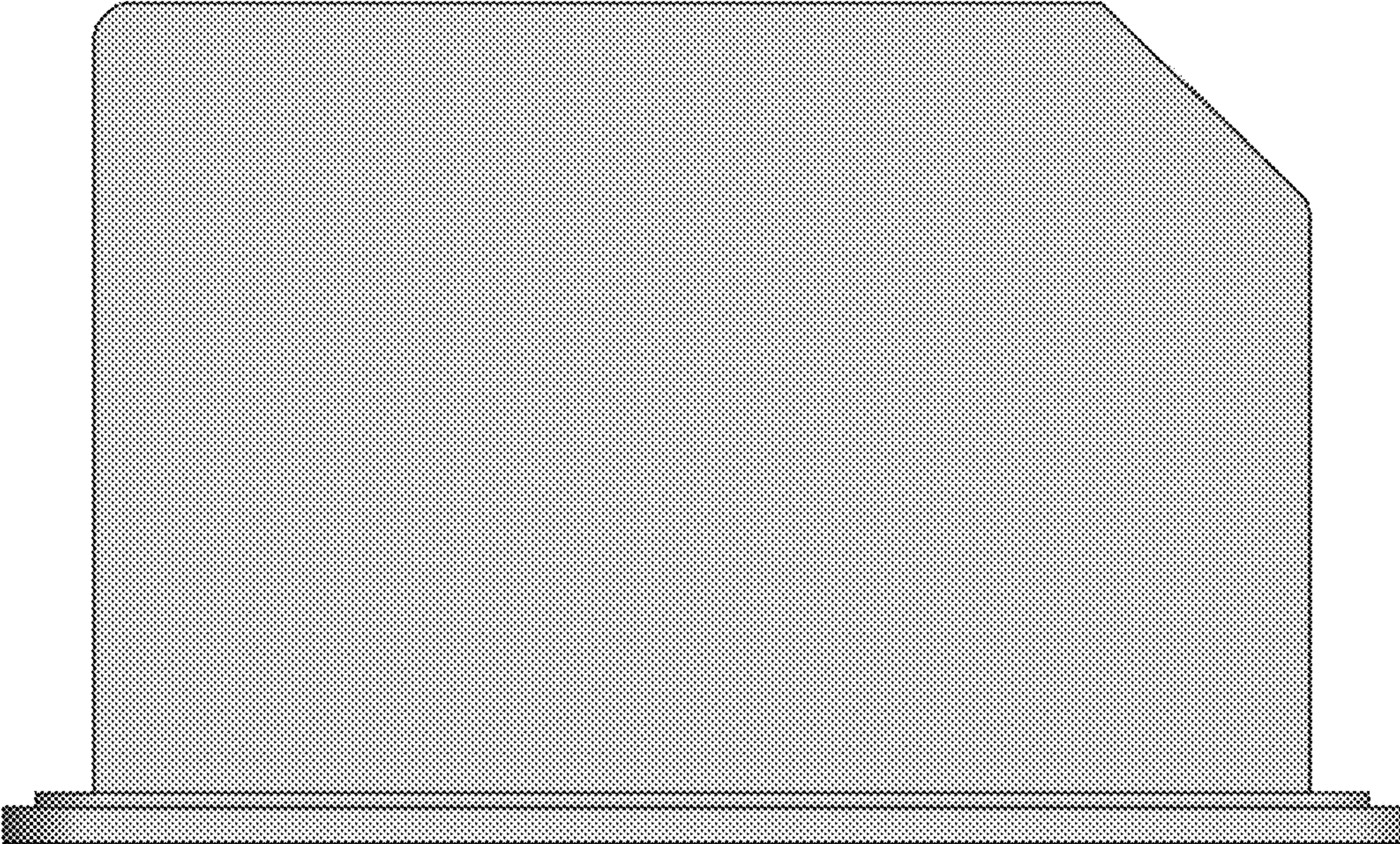


Fig. 3

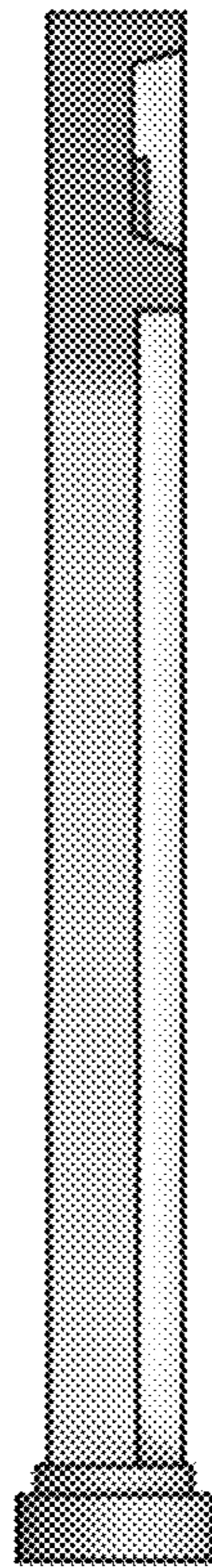


Fig. 4

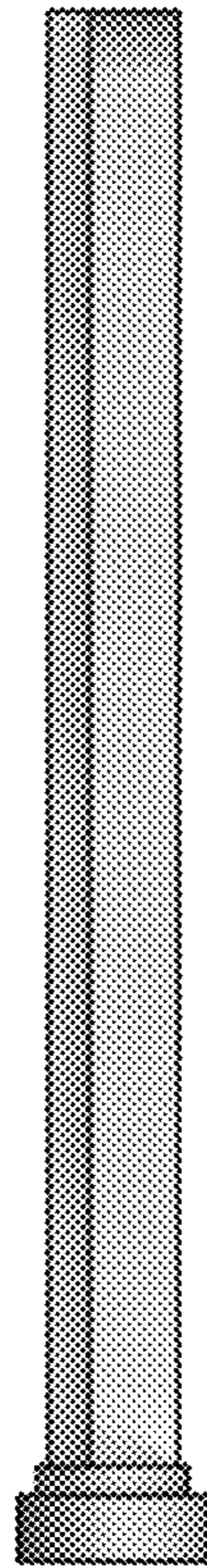


Fig. 5

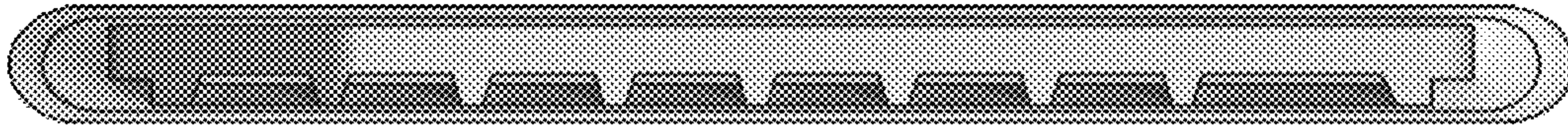


Fig. 6

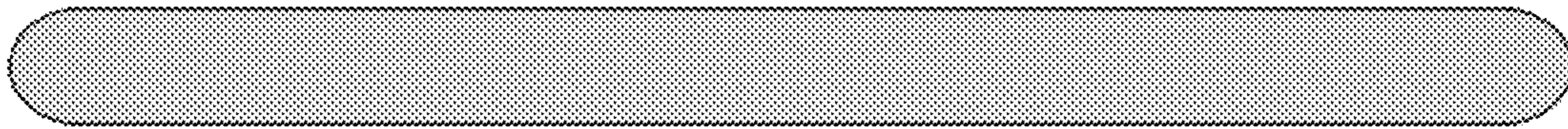


Fig. 7