

US00D726188S

(12) **United States Design Patent**
Lu et al.

(10) **Patent No.:** **US D726,188 S**
(45) **Date of Patent:** **** Apr. 7, 2015**

- (54) **DOCKING STATION**
- (71) Applicant: **Shenzhen Mindray Bio-Medical Electronics Co., Ltd., Shenzhen (CN)**
- (72) Inventors: **Hairong Lu, Shenzhen (CN); Gongqiang Xiao, Shenzhen (CN)**
- (73) Assignee: **Shenzhen Mindray Bio-Medical Electronics Co., Ltd., Shenzhen (CN)**
- (**) Term: **14 Years**
- (21) Appl. No.: **29/469,492**
- (22) Filed: **Oct. 10, 2013**
- (51) **LOC (10) Cl.** **14-02**
- (52) **U.S. Cl.**
USPC **D14/434**
- (58) **Field of Classification Search**
USPC D14/217, 432, 434; D8/373; D13/107, D13/108, 110, 146; 248/176.1; 320/109, 320/112-115; 361/679.4, 679.31-679.33, 361/679.41, 679.43, 679.55; 455/557; 710/15, 303; D24/185, 186
See application file for complete search history.

- D603,840 S * 11/2009 Lee et al. D14/217
- D621,405 S * 8/2010 Waite et al. D14/434
- D642,519 S * 8/2011 Woo et al. D13/108
- D645,840 S * 9/2011 Silvera D14/171
- D660,287 S * 5/2012 McManigal D14/217
- 2002/0032041 A1* 3/2002 Hirai et al. 455/557

* cited by examiner

Primary Examiner — Freda S Nunn

(74) *Attorney, Agent, or Firm* — Kory D. Christensen; Steel Rives LLP

(57) **CLAIM**

The ornamental design for a docking station, as shown and described.

DESCRIPTION

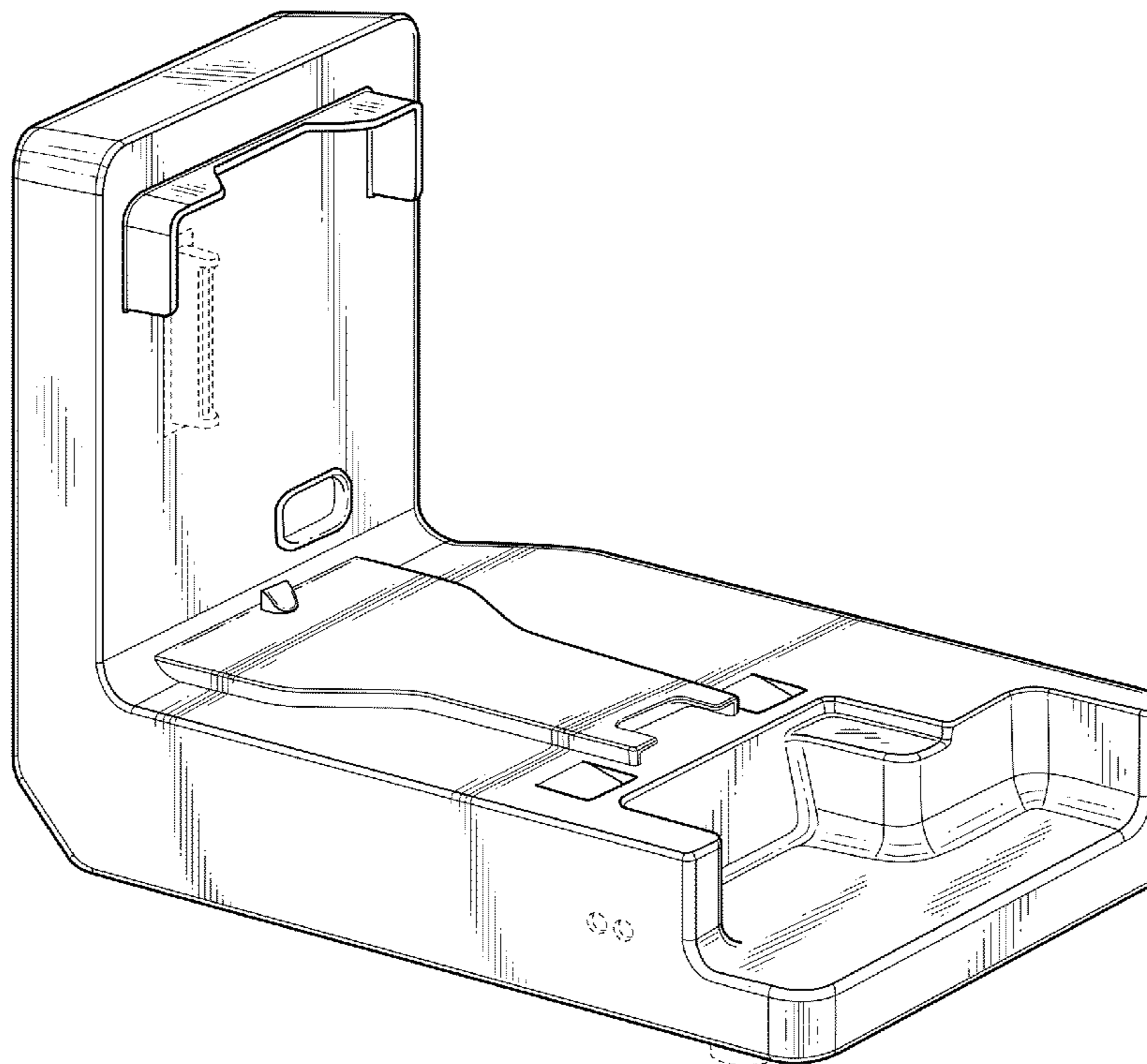
FIG. 1 is a front perspective of an embodiment of a docking station showing our new design;
 FIG. 2 is a front elevation view thereof;
 FIG. 3 is a rear elevation view thereof;
 FIG. 4 is a top plan view thereof;
 FIG. 5 is a bottom plan view thereof;
 FIG. 6 is a left side elevation view thereof; and,
 FIG. 7 is a right side elevation view thereof.
 The broken lines immediately adjacent the shaded areas represent the bounds of the claimed design, while all other broken lines are directed to environment and are for illustrative purposes only; the broken lines form no part of the claimed design.

1 Claim, 6 Drawing Sheets

(56) **References Cited**

U.S. PATENT DOCUMENTS

- D327,868 S * 7/1992 Oka D13/110
- D553,106 S * 10/2007 Griffin D14/434



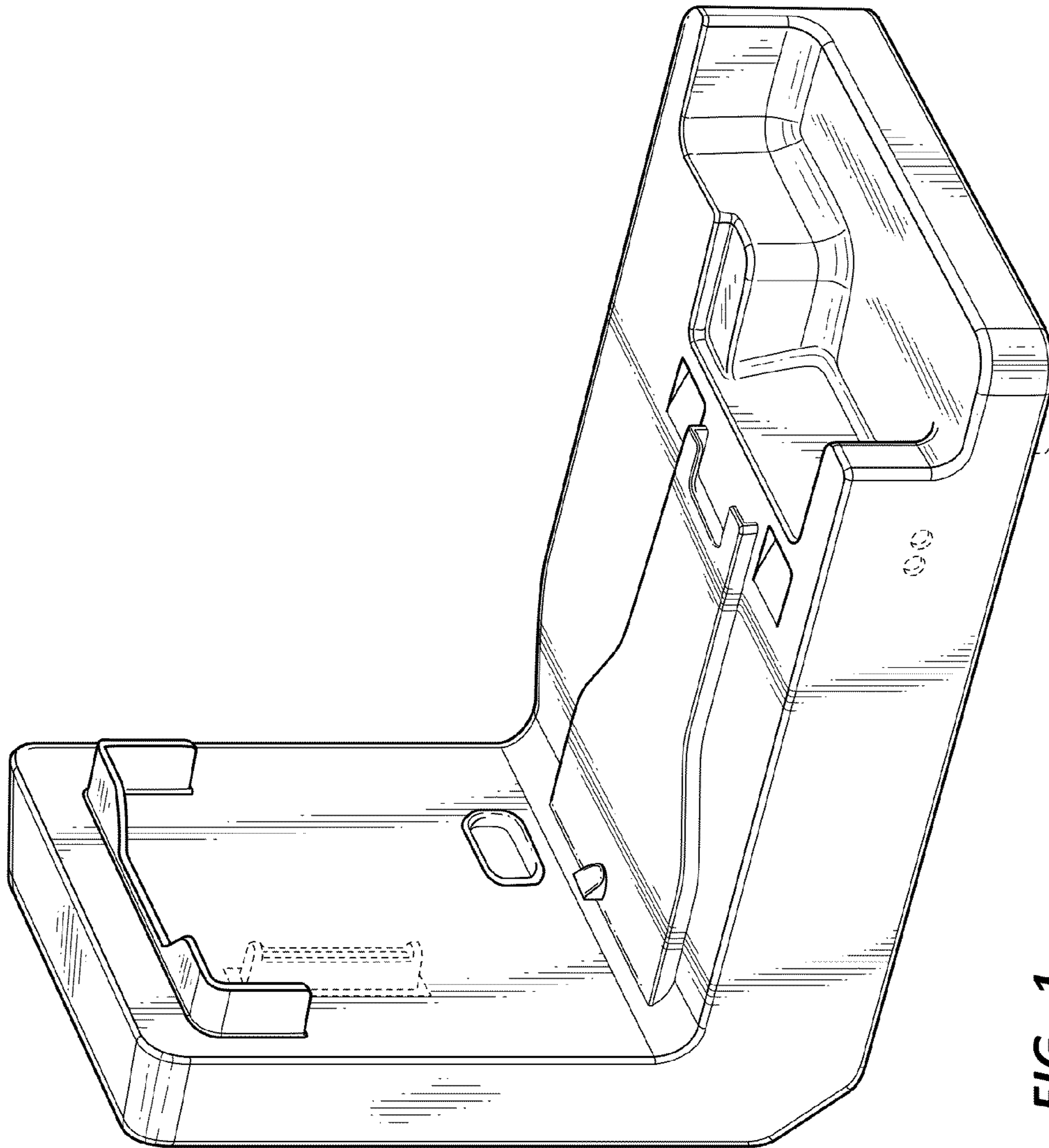


FIG. 1

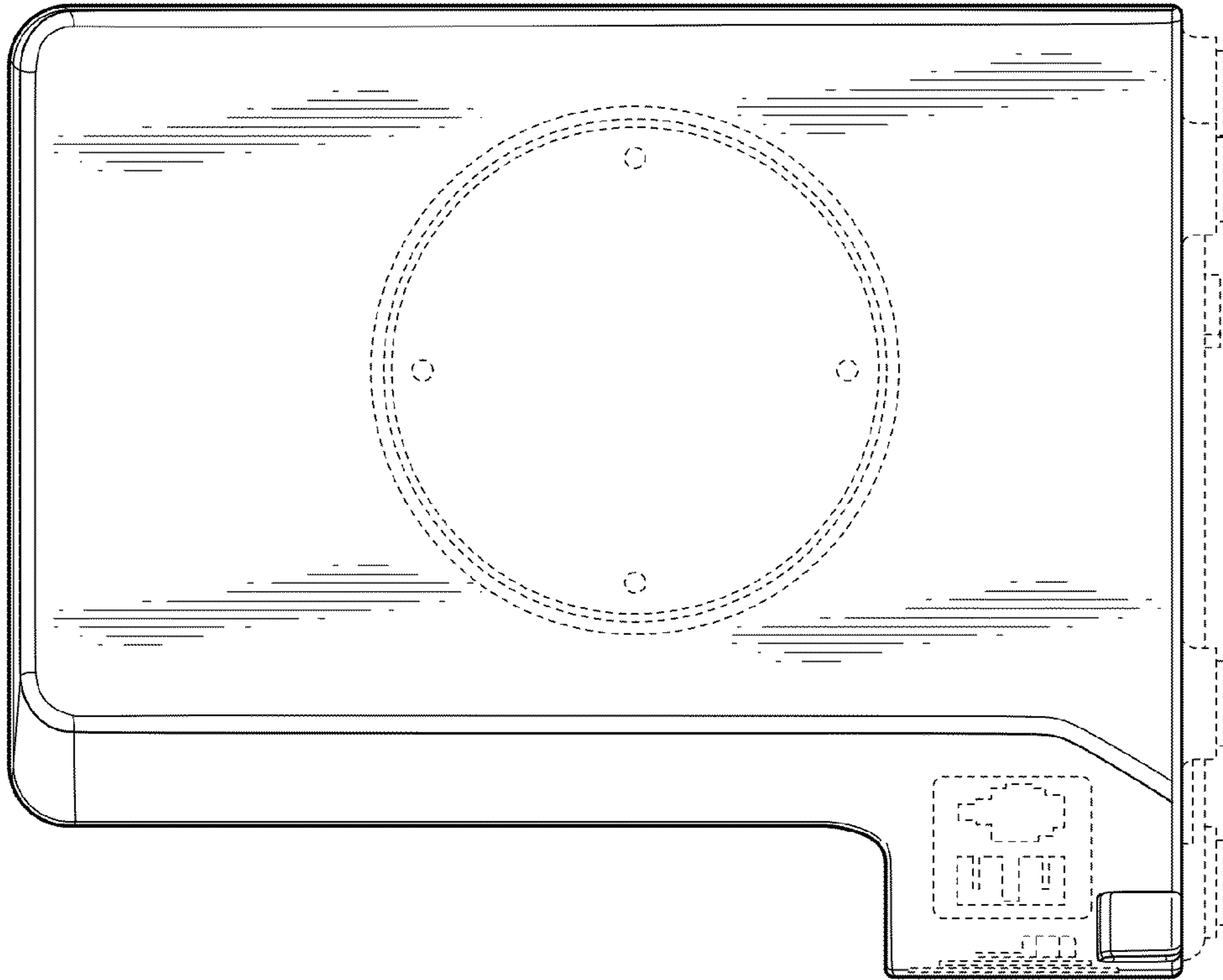


FIG. 3

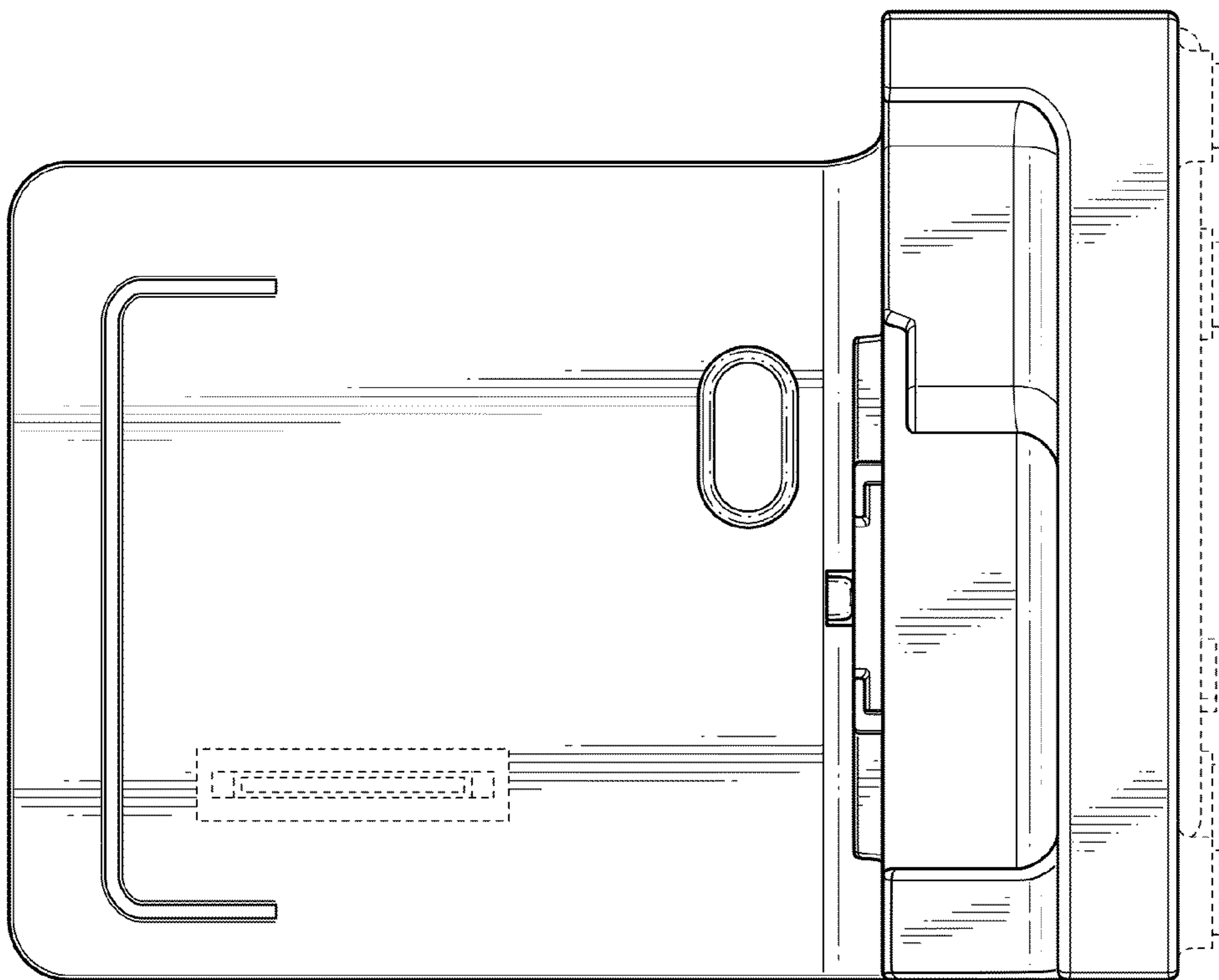


FIG. 2

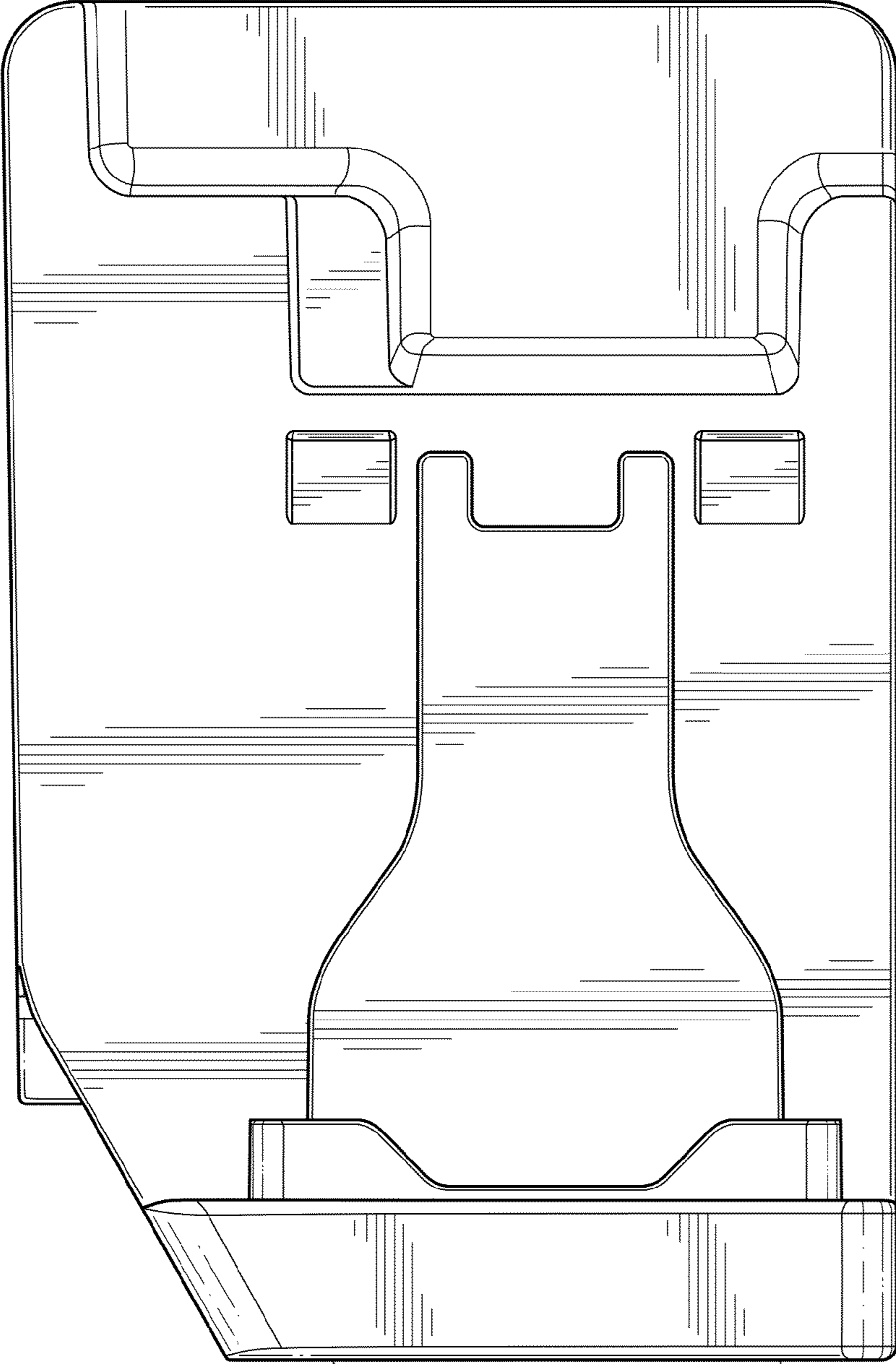


FIG. 4

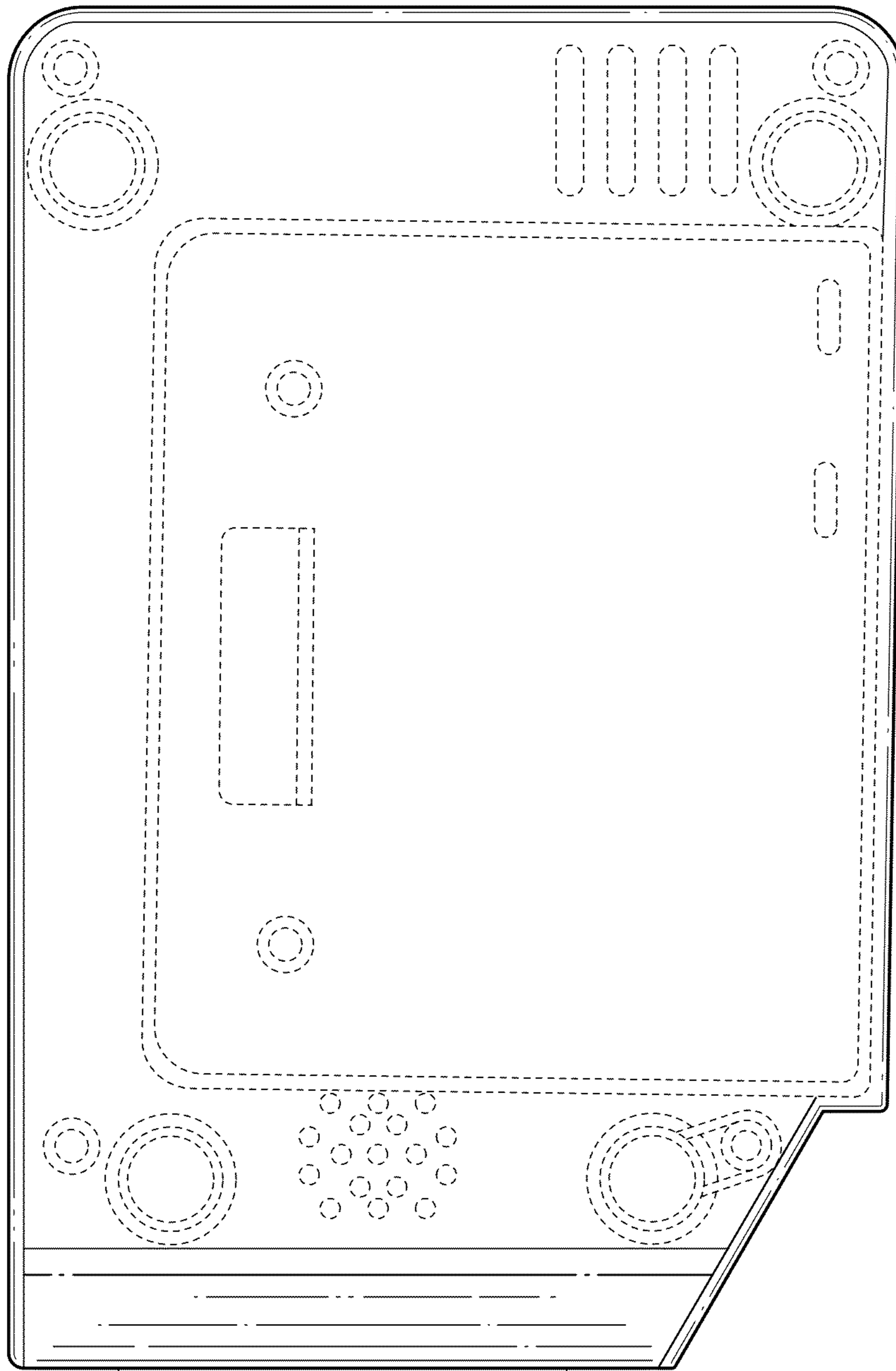


FIG. 5

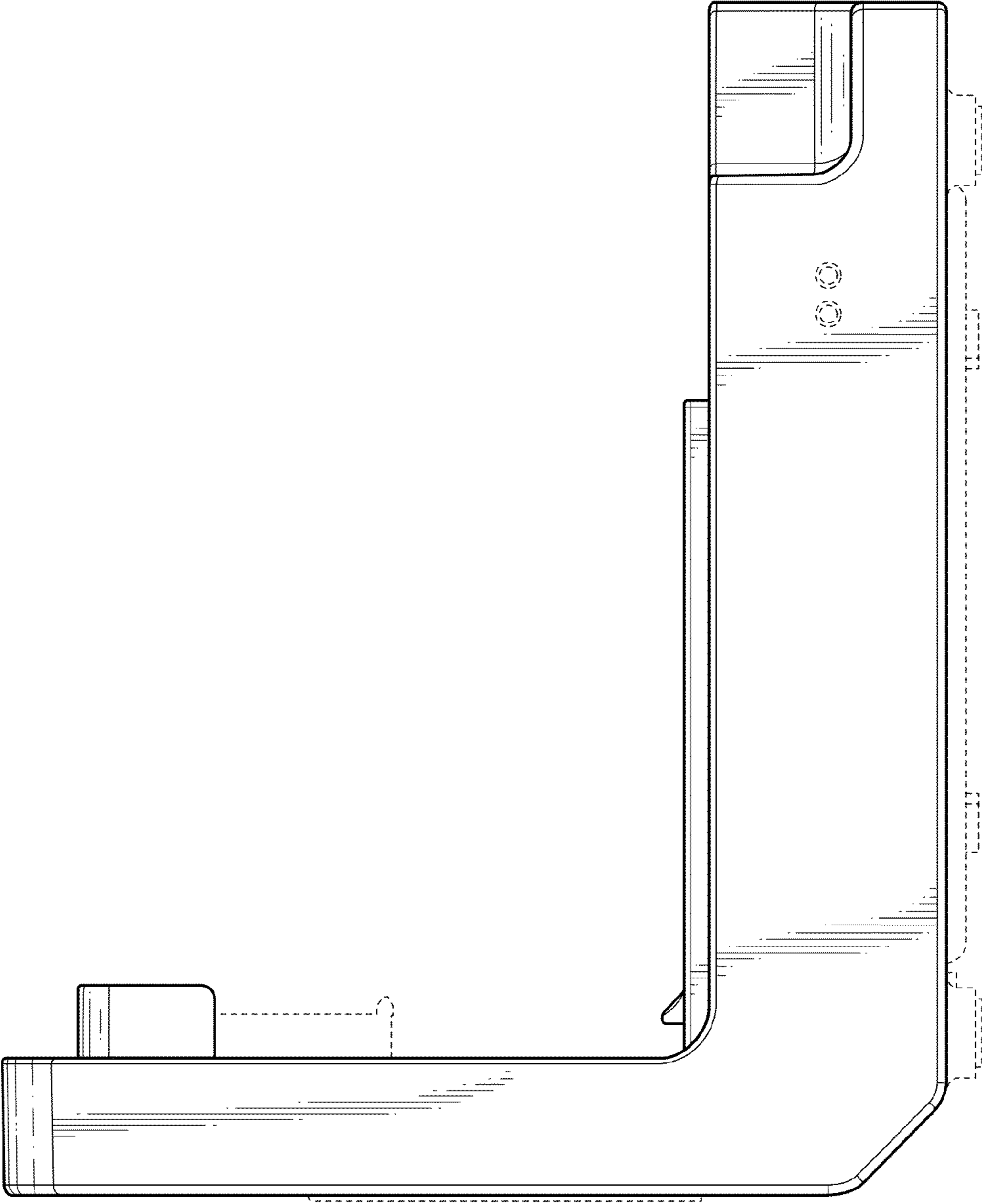


FIG. 6

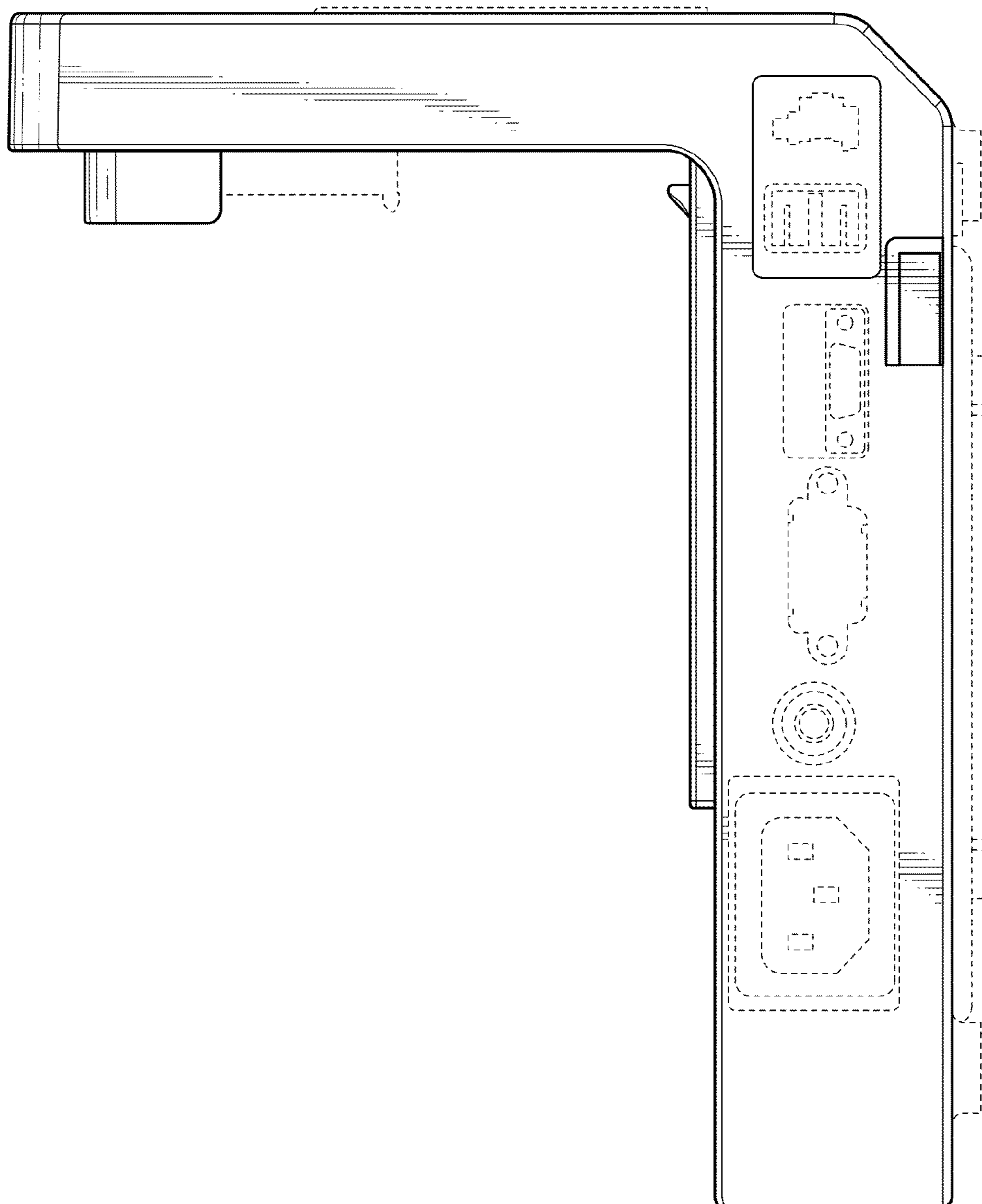


FIG. 7