



US00D726187S

(12) **United States Design Patent**
Young

(10) **Patent No.:** **US D726,187 S**
(45) **Date of Patent:** **** Apr. 7, 2015**

(54) **DOCKING STATION**

(71) Applicant: **Samsung Electronics Co., Ltd.**,
Suwon-Si, Gyeonggi-Do (KR)

(72) Inventor: **Seoc Ho Young**, Yongin-si (KR)

(73) Assignee: **Samsung Electronics Co., Ltd.**,
Gyeonggi-do (KR)

(**) Term: **14 Years**

(21) Appl. No.: **29/454,888**

(22) Filed: **May 15, 2013**

(30) **Foreign Application Priority Data**

Nov. 19, 2012 (KR) 30-2012-0055102

(51) **LOC (10) Cl.** **14-02**

(52) **U.S. Cl.**
USPC **D14/434**

(58) **Field of Classification Search**
USPC D14/217, 432, 434; D8/373; D13/107,
D13/108, 146; 248/176.1; 320/109,
320/112-115; 361/679.4, 679.31-679.33,
361/679.41, 679.43, 679.55; 455/557;
710/15, 303

See application file for complete search history.

(56) **References Cited**

U.S. PATENT DOCUMENTS

D561,186 S * 2/2008 Kawase et al. D14/434
7,643,283 B2 * 1/2010 Jubelirer et al. 361/679.41
2003/0048599 A1 * 3/2003 Martin 361/683

* cited by examiner

Primary Examiner — Freda S Nunn

(74) *Attorney, Agent, or Firm* — Harness, Dickey & Pierce

(57) **CLAIM**

The ornamental design for a docking station, as shown and described.

DESCRIPTION

FIG. 1 is the front/right-side/top perspective view of a docking station showing our new design;
FIG. 2 is the front elevational view thereof;
FIG. 3 is the rear elevational view thereof;
FIG. 4 is the left-side elevational view thereof;
FIG. 5 is the right-side elevational view thereof;
FIG. 6 is the top-side plan view thereof;
FIG. 7 is the bottom-side plan view thereof; and,
FIG. 8 is a perspective view thereof shown in use.
The surface treatment of the docking station forms no part of the claimed design, and the broken lines shown in the drawings represent unclaimed portions.

1 Claim, 5 Drawing Sheets

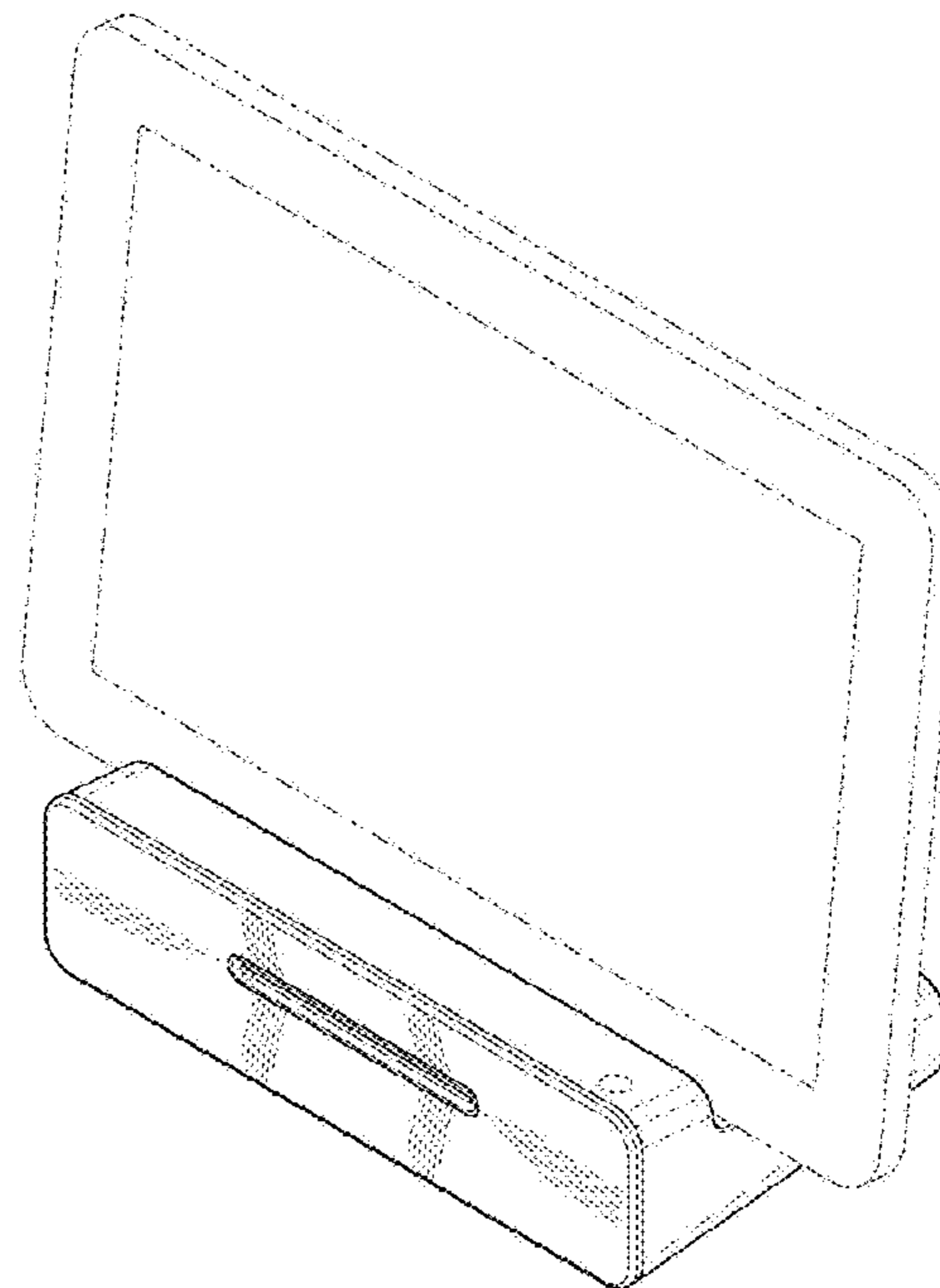
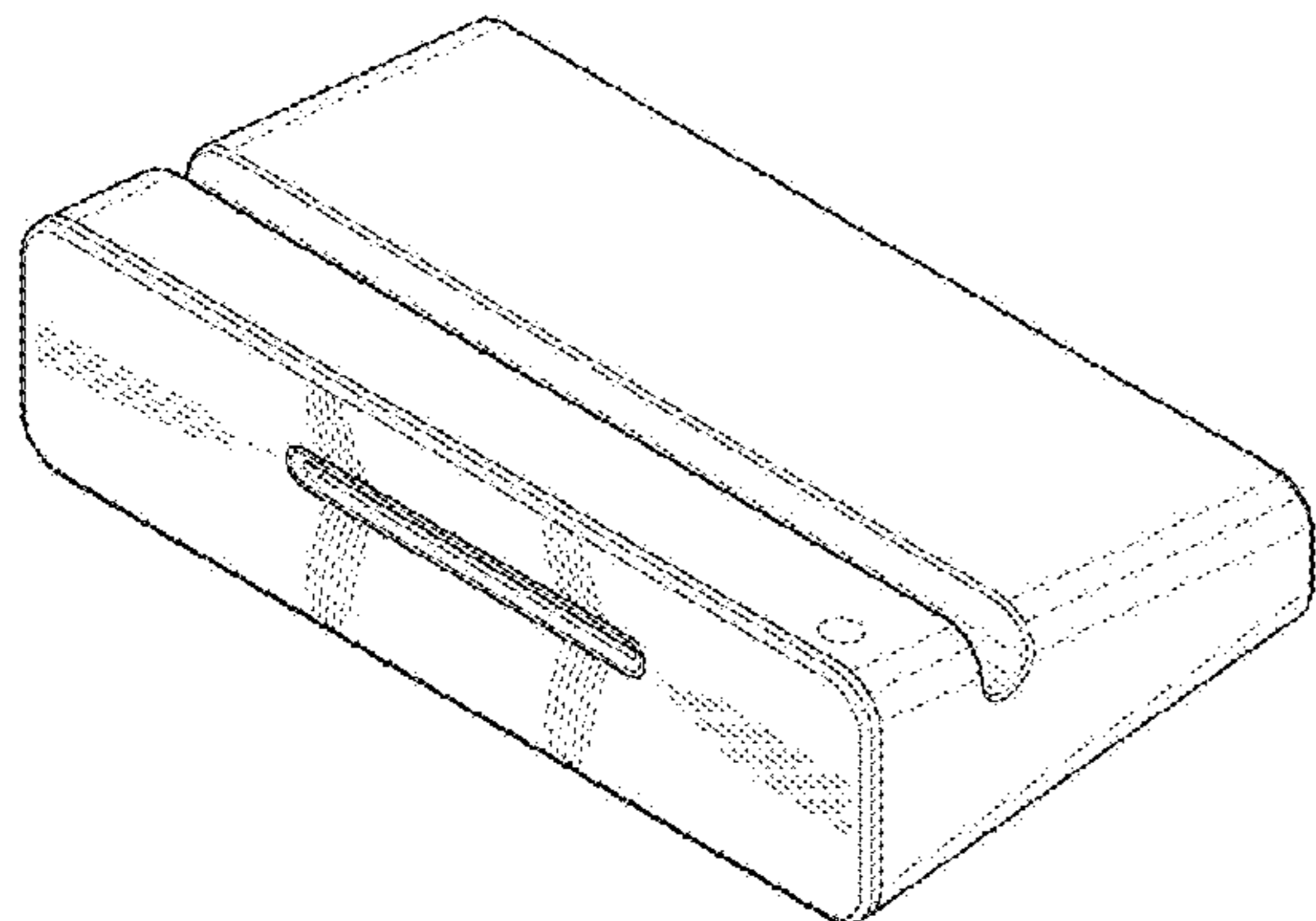


FIG. 1

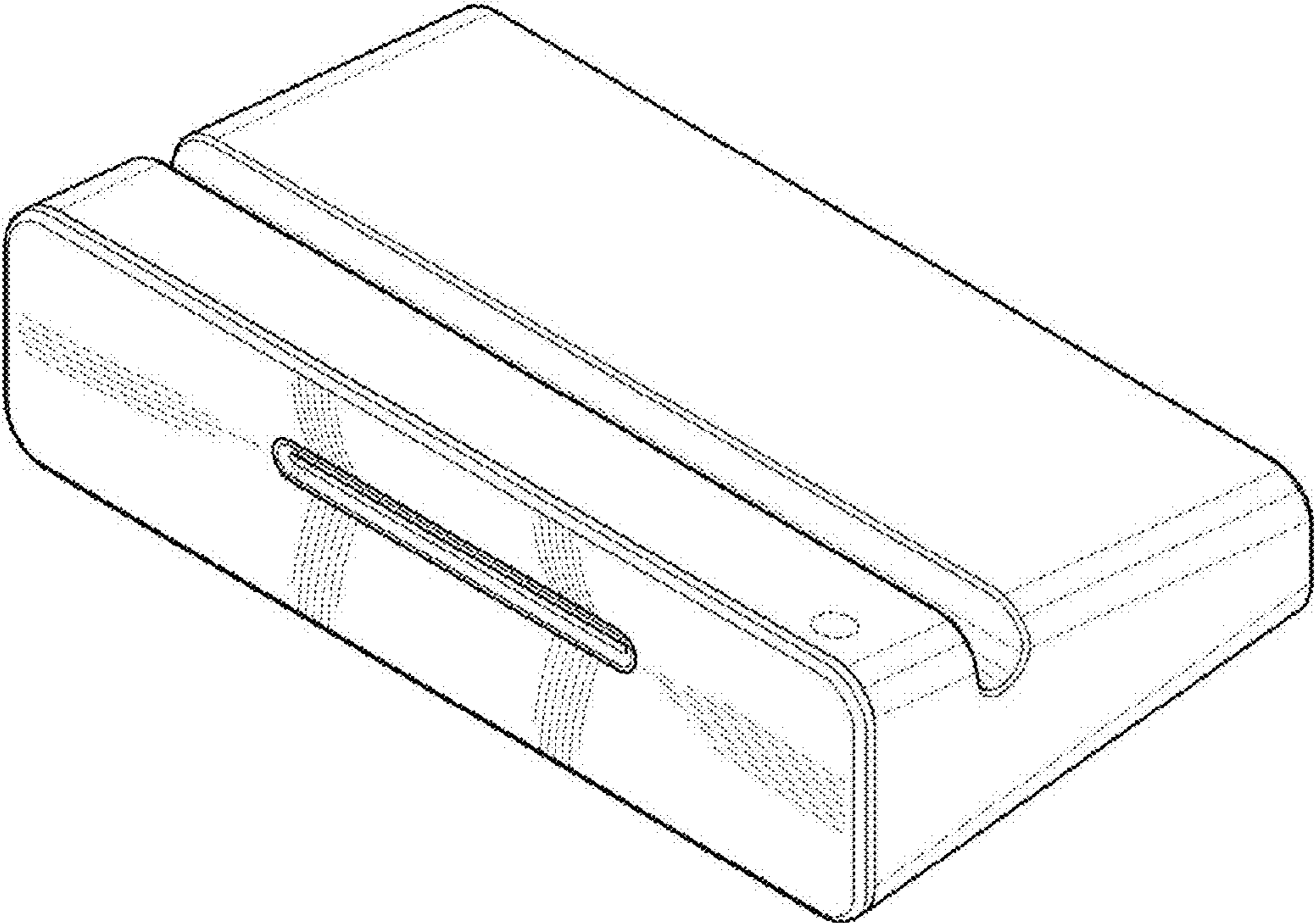


FIG. 2

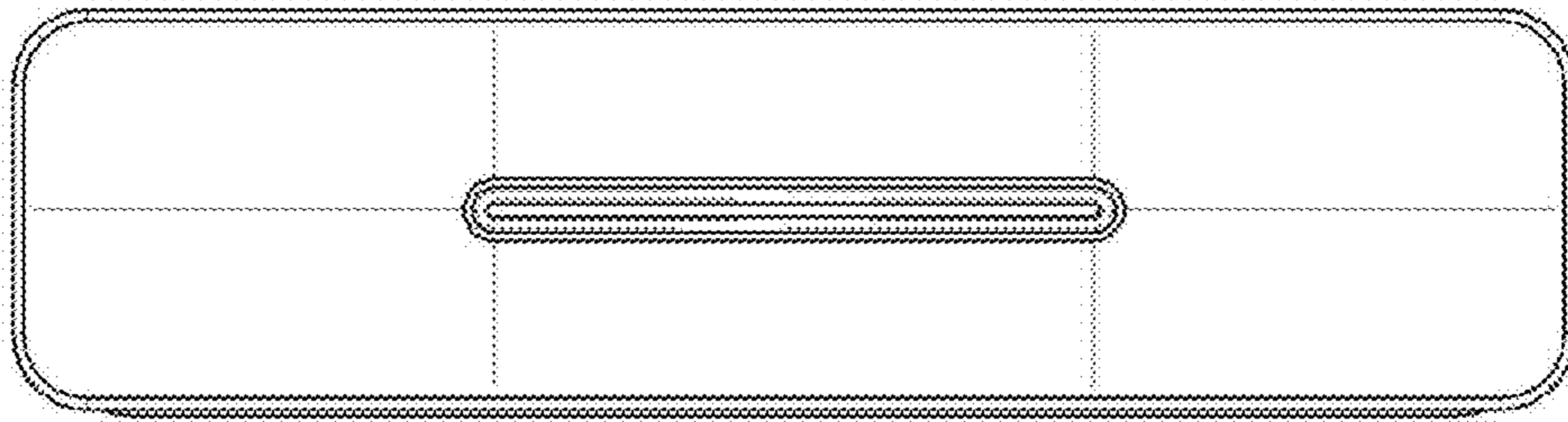


FIG. 3

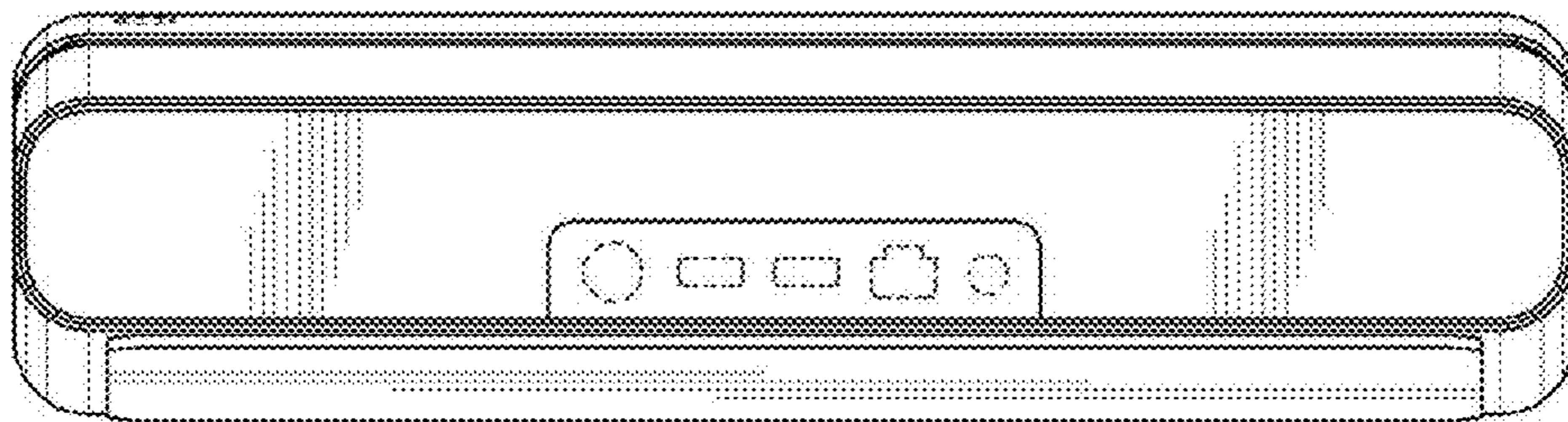


FIG. 4

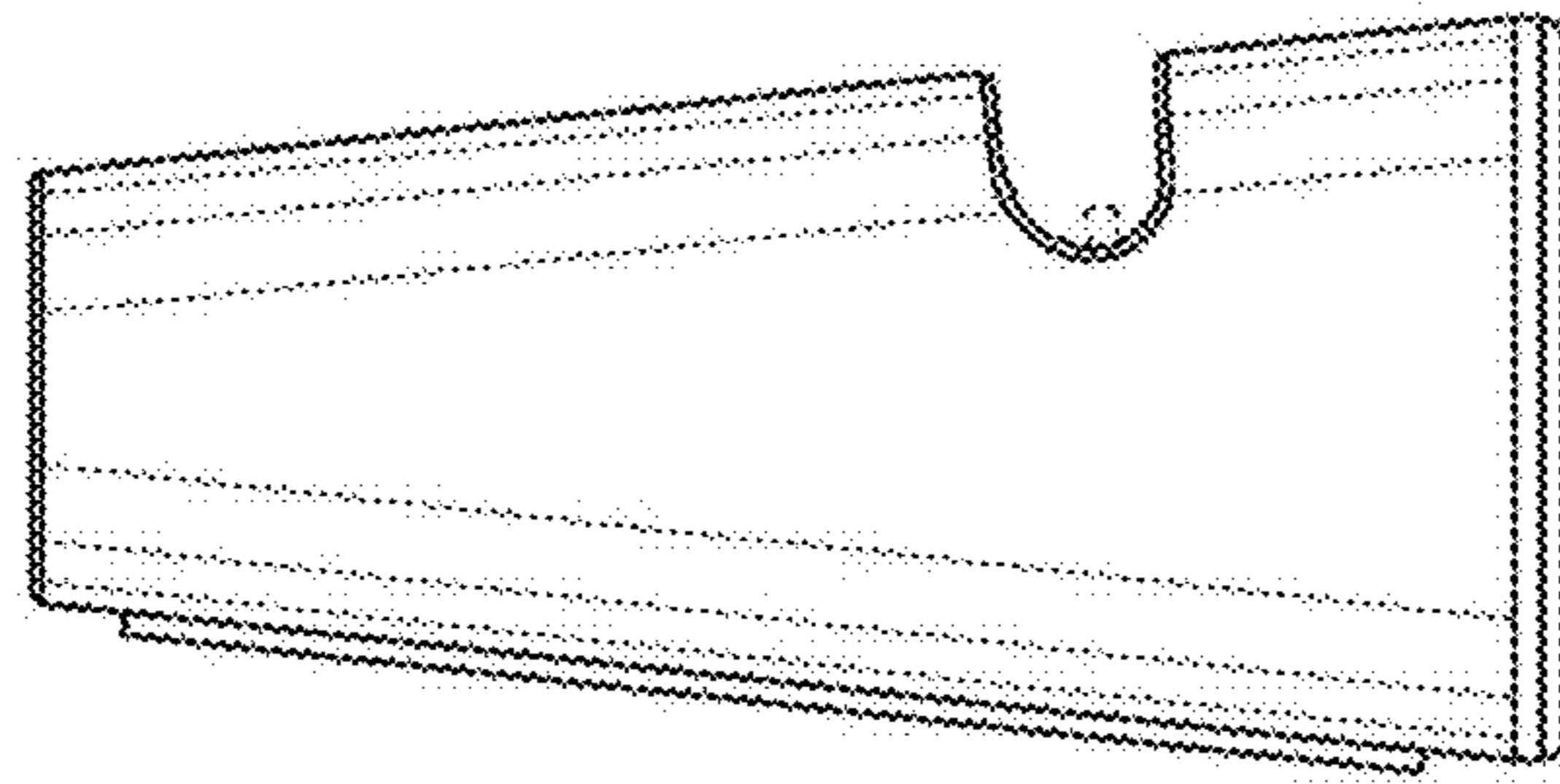


FIG. 5

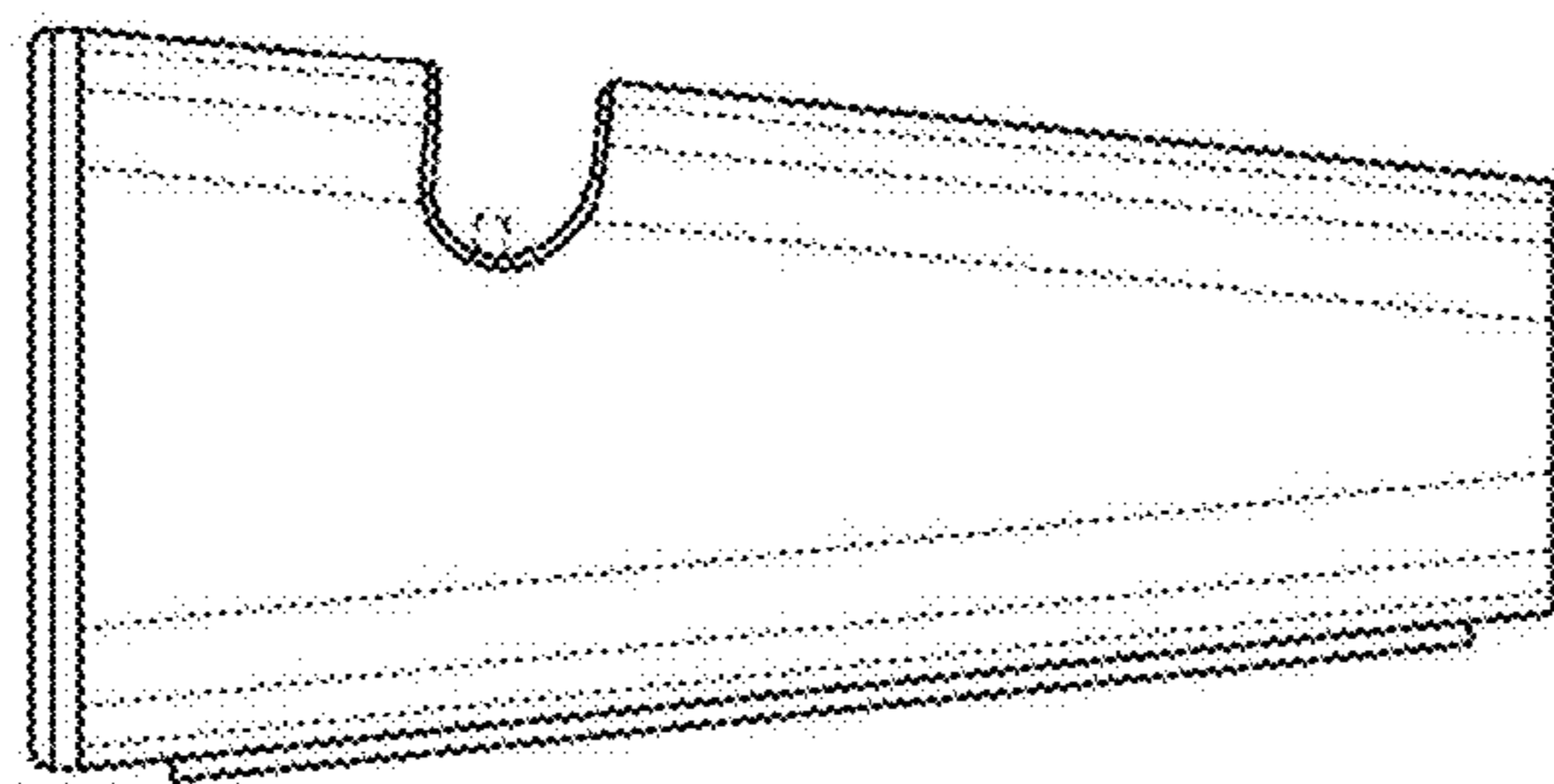


FIG. 6

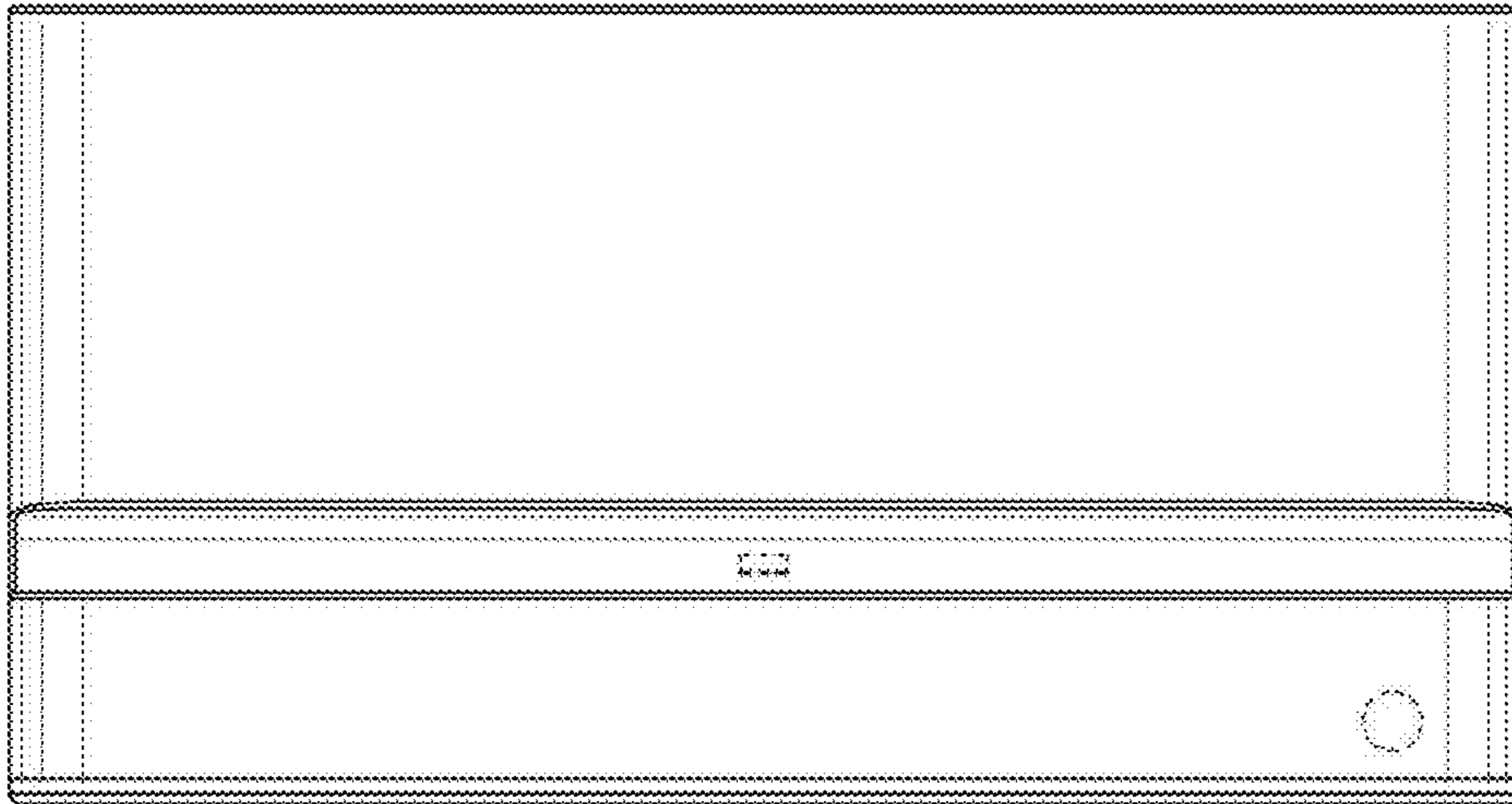


FIG. 7

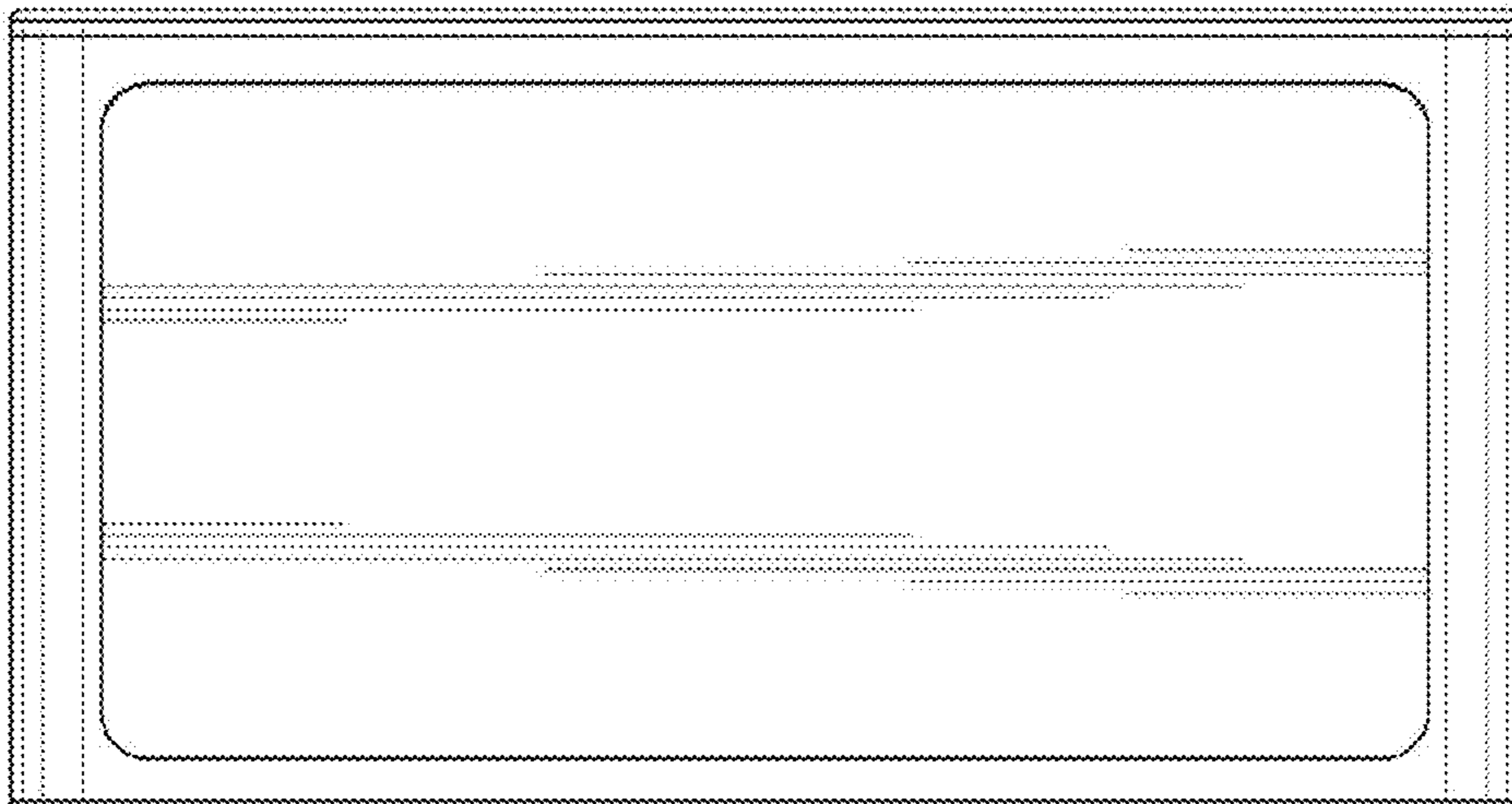


FIG. 8

