



US00D726184S

(12) **United States Design Patent**
Burton et al.

(10) **Patent No.:** **US D726,184 S**
(45) **Date of Patent:** **** Apr. 7, 2015**

(54) **PROJECTED INTERFACE DEVICE**

(71) Applicant: **Hewlett-Packard Development Company, L.P.**, Houston, TX (US)

(72) Inventors: **Maximillian P. Burton**, San Francisco, CA (US); **Jonathan Y. Rowell**, San Francisco, CA (US); **Anton O. Ljunggren**, San Francisco, CA (US)

(73) Assignee: **Hewlett-Packard Development Company, L.P.**, Houston, TX (US)

(**) Term: **14 Years**

(21) Appl. No.: **29/433,581**

(22) Filed: **Oct. 2, 2012**

(51) **LOC (10) Cl.** **14-02**

(52) **U.S. Cl.**
USPC **D14/388**; D14/420; D16/232

(58) **Field of Classification Search**
USPC D14/371, 375, 376, 439, 447, 448, 451, D14/452, 209.1, 217, 224, 238, 299, 388, D14/389, 420; D26/62, 93, 107, 113; D7/396.2, 396.6, 509, 537; D16/232, D16/221; 348/373, 333.1, 135, 143
See application file for complete search history.

(56) **References Cited**

U.S. PATENT DOCUMENTS

D352,189 S *	11/1994	Sakuta et al.	D6/449
D443,382 S *	6/2001	Vong et al.	D26/93
D443,385 S *	6/2001	Maruyama	D26/109
D459,633 S *	7/2002	Kerman	D7/525
D494,183 S *	8/2004	Wills et al.	D14/452
D529,033 S *	9/2006	Hung	D14/452
D618,378 S *	6/2010	Huang	D26/93
D618,844 S *	6/2010	Huang	D26/93
D625,137 S *	10/2010	Sabadicci et al.	D7/316
D673,715 S *	1/2013	Huang	D26/93
D673,716 S *	1/2013	Huang	D26/93
D674,958 S *	1/2013	Ng et al.	D26/106

D676,998 S *	2/2013	Stephanchick et al.	D26/93
D677,420 S *	3/2013	Laviani	D26/93
D684,972 S *	6/2013	Benson et al.	D14/371
D699,242 S *	2/2014	Hu	D14/423
D702,243 S *	4/2014	Oh et al.	D14/447
D704,715 S *	5/2014	Bliven et al.	D14/451
8,896,688 B2 *	11/2014	Blanton et al.	348/135
2007/0035655 A1 *	2/2007	Chen et al.	348/373
2008/0291321 A1 *	11/2008	Maruyama et al.	348/373
2014/0139668 A1 *	5/2014	Short	348/143
2014/0139717 A1 *	5/2014	Short	348/333.1
2014/0176735 A1 *	6/2014	Short et al.	348/207.1
2014/0267866 A1 *	9/2014	Short et al.	348/333.1

OTHER PUBLICATIONS

Fast Company Content Studios Staff Writer. "Slideshow: From Seed to Sprout, A Story of Innovation inside the Walls of HP." HP Matter: The Transportation Issue. Fall 2014. Web. Dec. 10, 2014. <<https://ssl.www8.hp.com/hpmater/slideshow-blended-reality-technology-sprout-by-hp-immersive-computing-platform>>. (16 pages).*

* cited by examiner

Primary Examiner — Deanna L Pratt

(74) *Attorney, Agent, or Firm* — Rathe Lindenbaum LLP

(57) **CLAIM**

We claim the ornamental design for a projected interface device, as shown and described.

DESCRIPTION

FIG. 1 is a top perspective view of a projected interface device;

FIG. 2 is a front view thereof;

FIG. 3 is a rear view thereof;

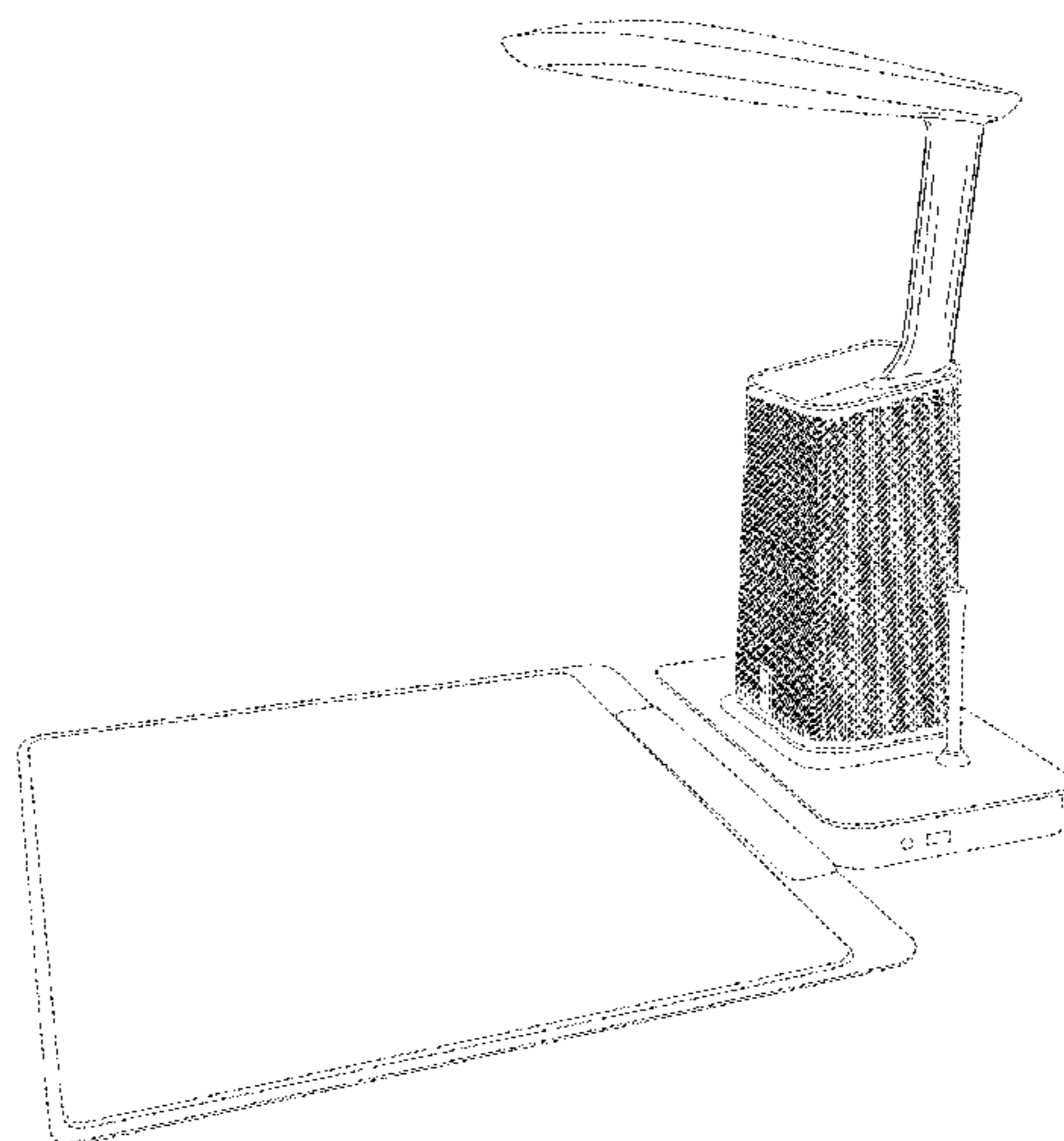
FIG. 4 is a right side view thereof;

FIG. 5 is a left side view thereof; and,

FIG. 6 is a top view thereof.

The dash-dash broken lines in the drawings are environmental lines which do not form part of the claimed design. The short dash-long dash lines are boundary lines which do not form part of the claimed design.

1 Claim, 6 Drawing Sheets



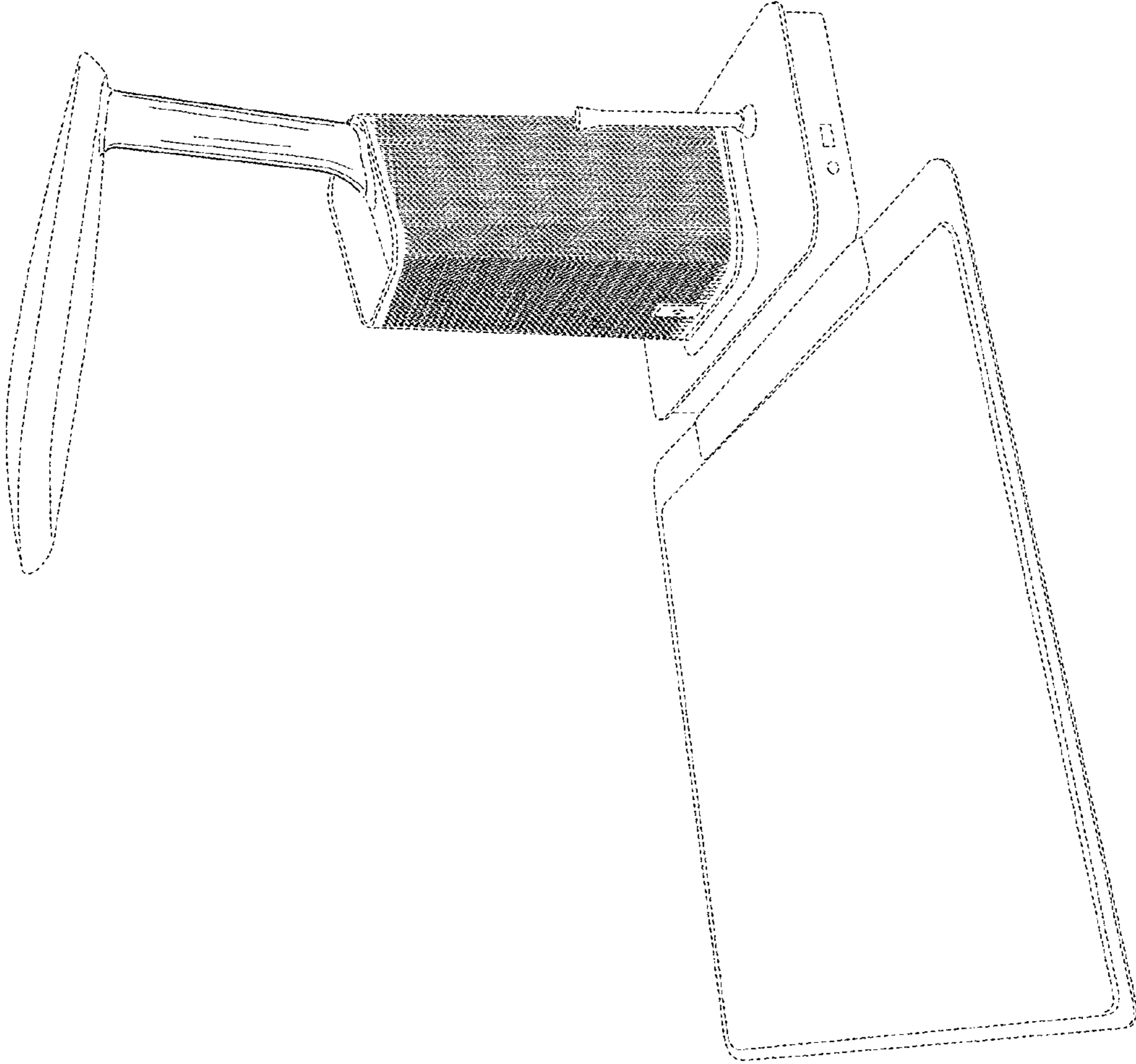


FIG. 1

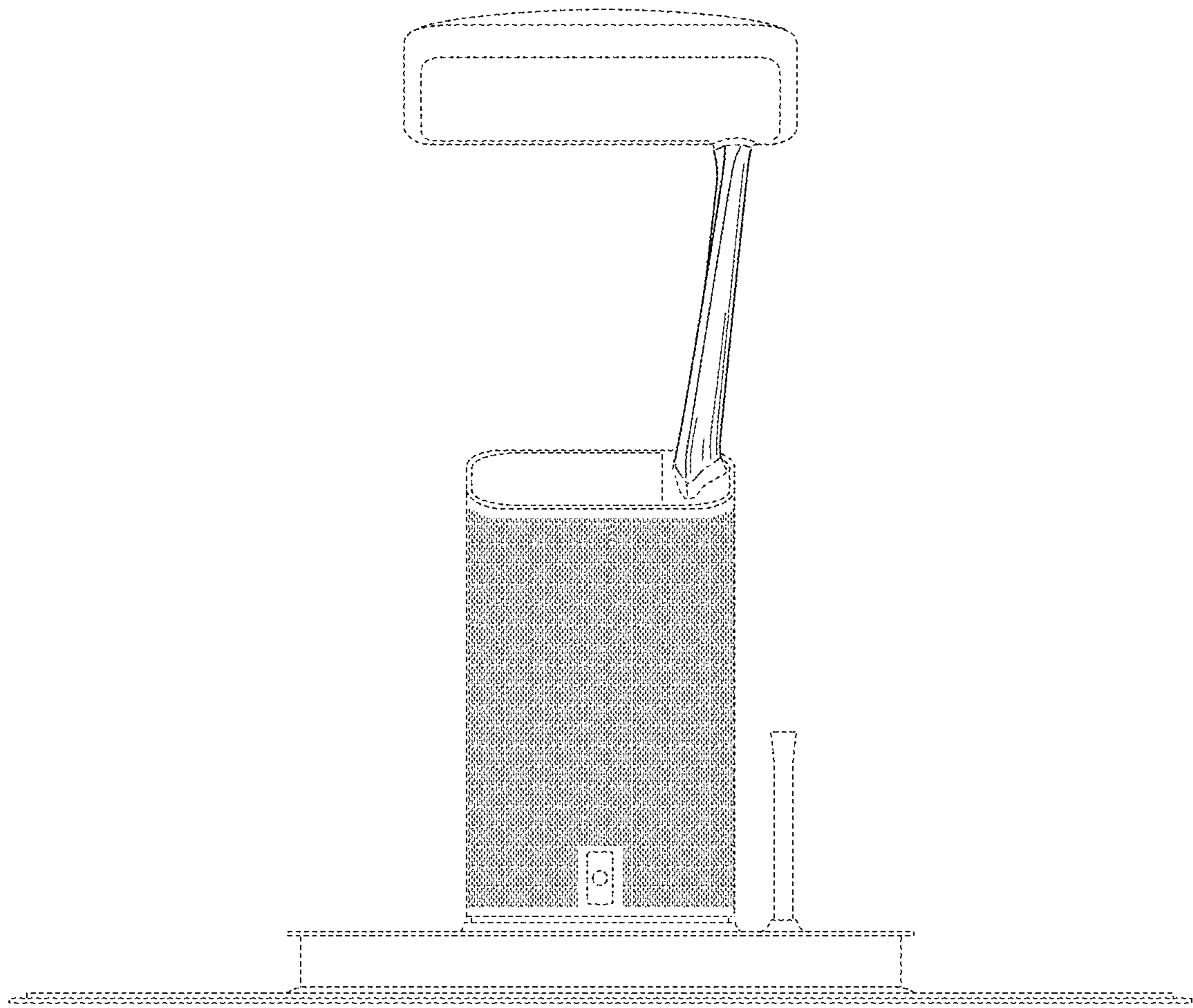


FIG. 2

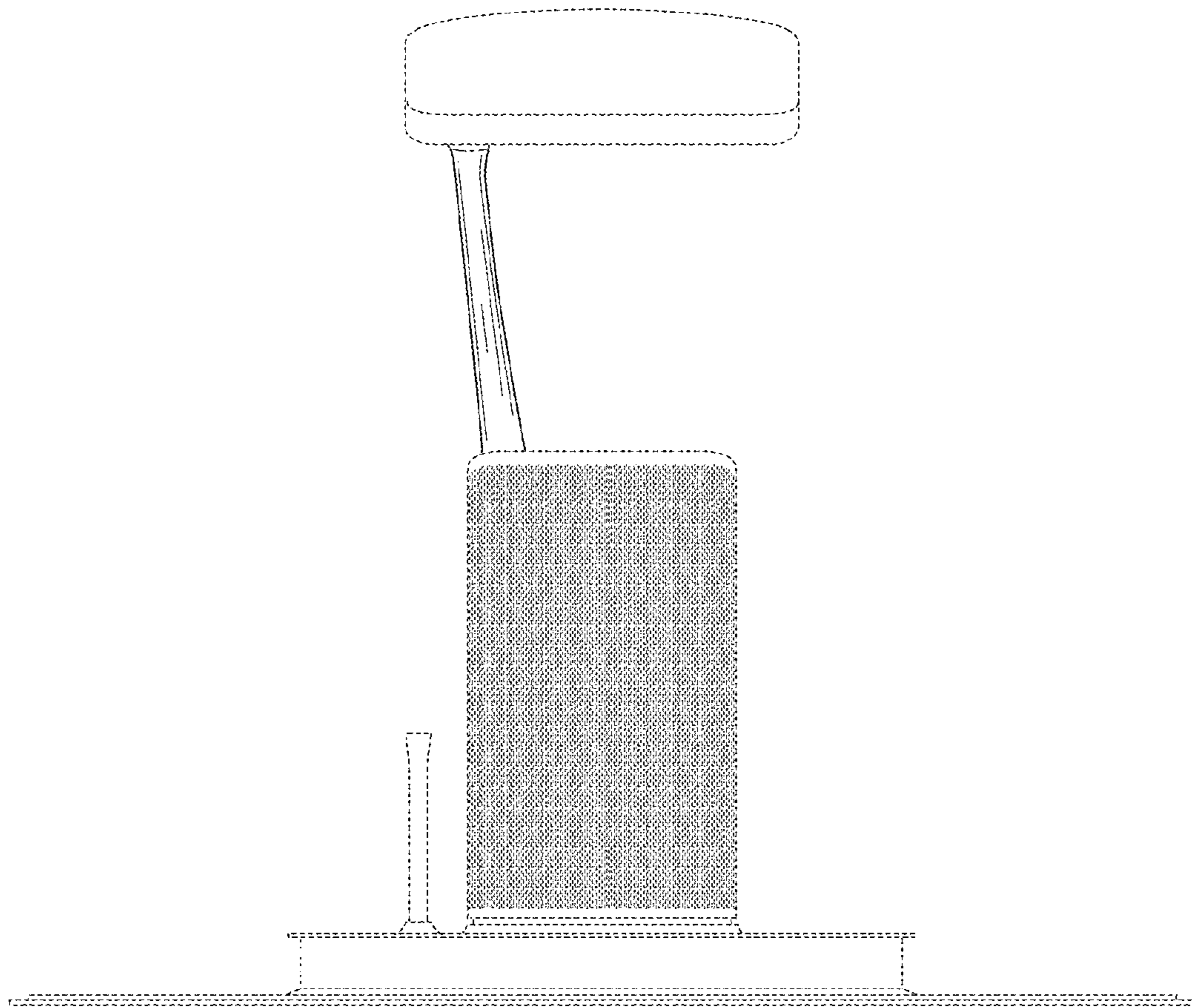


FIG. 3

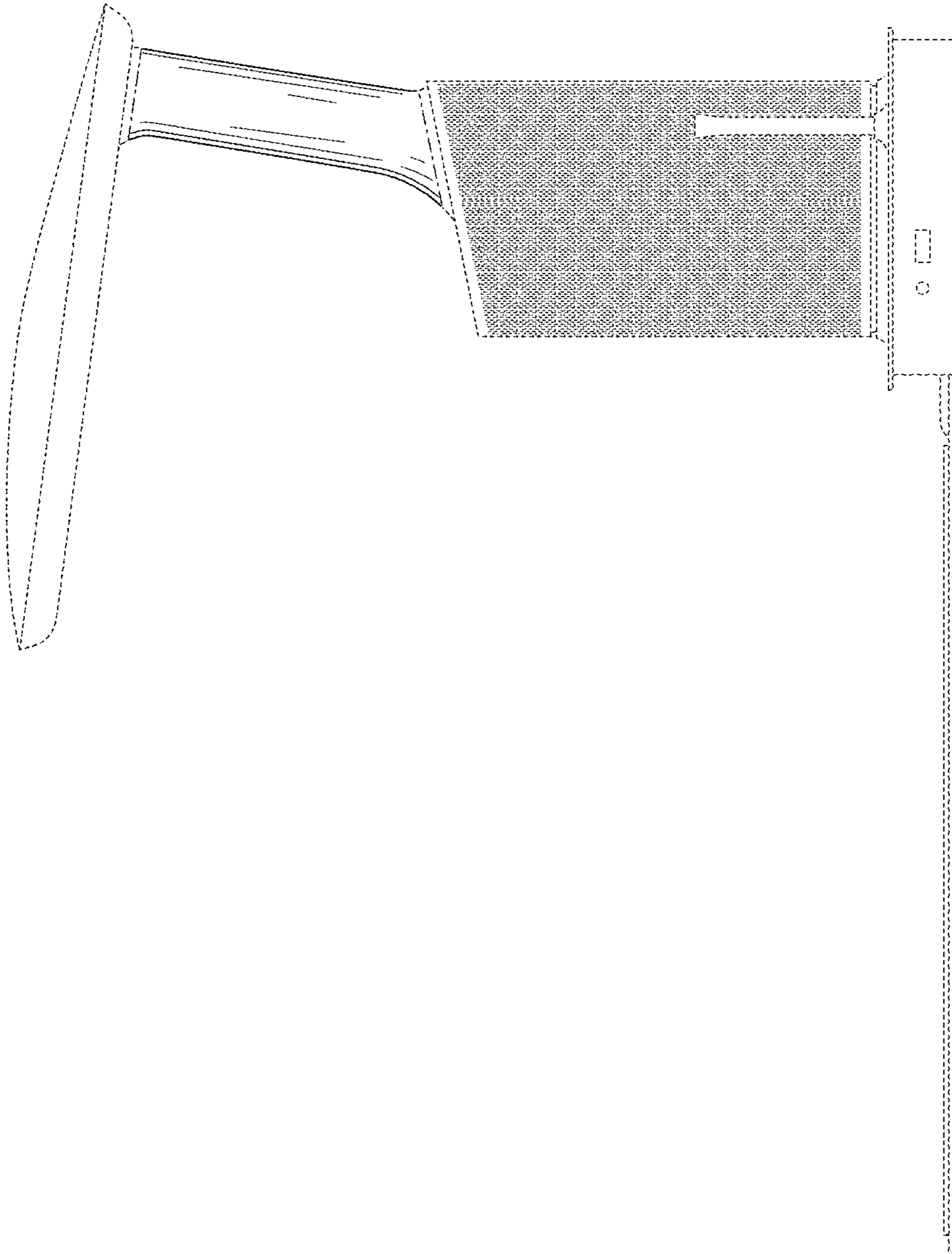
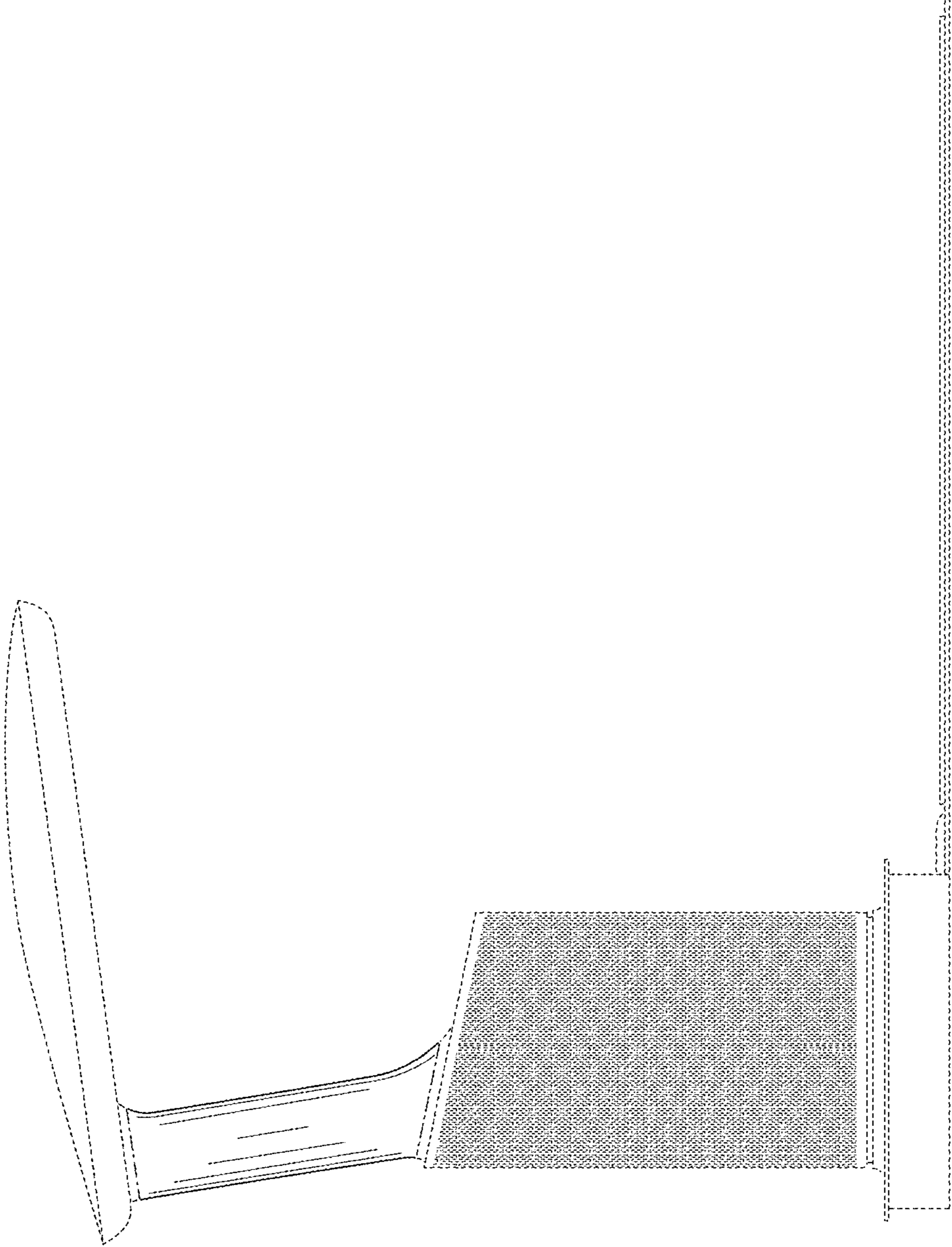


FIG. 4

FIG. 5



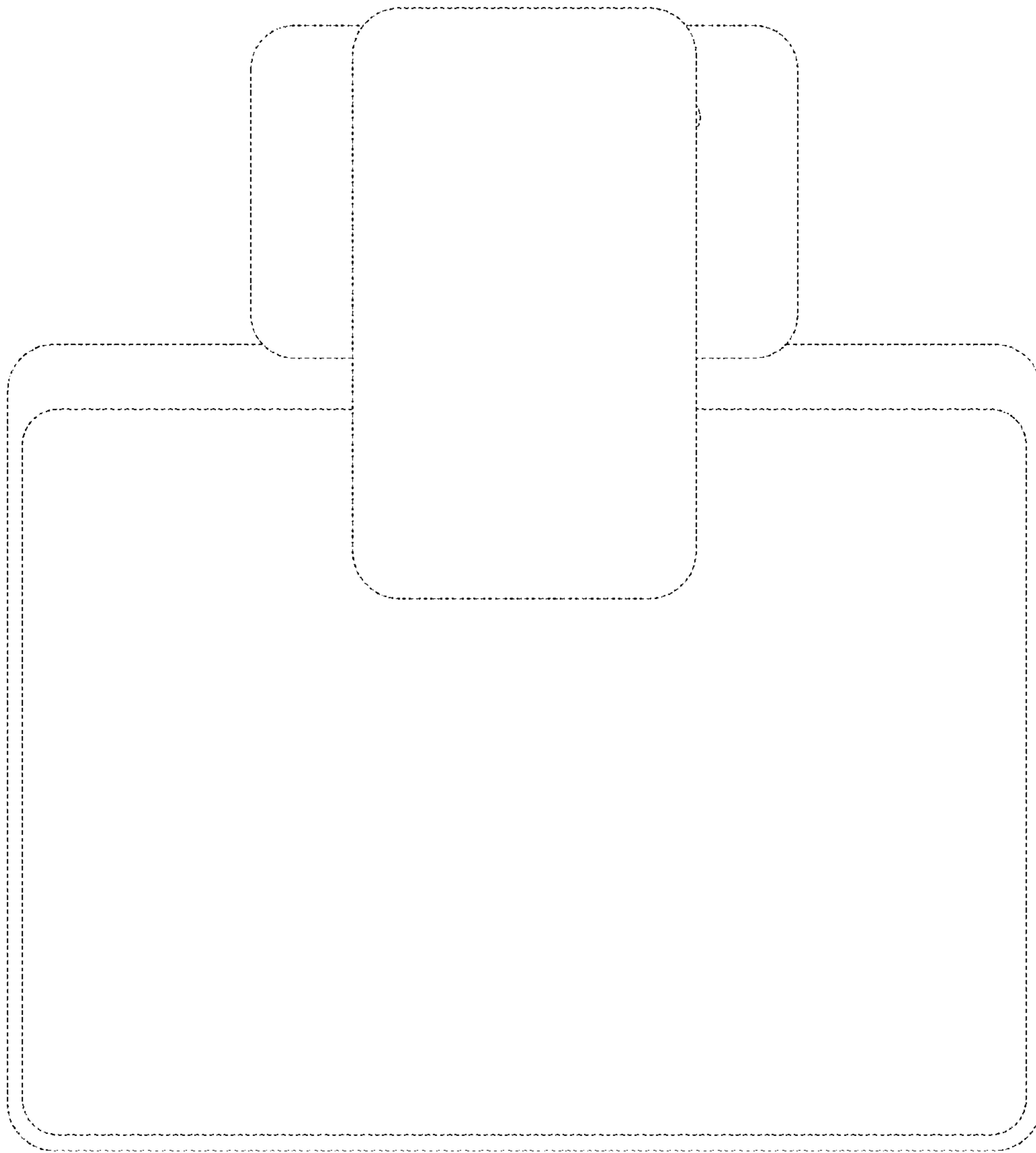


FIG. 6