



US00D726182S

(12) **United States Design Patent**
Durham et al.

(10) **Patent No.:** **US D726,182 S**
(45) **Date of Patent:** **** Apr. 7, 2015**

(54) **ENCLOSURE FOR A PORTABLE ELECTRONIC DEVICE AND A CREDIT CARD READER**

D707,676 S * 6/2014 Azuma D14/385
D707,677 S * 6/2014 Azuma D14/385
D707,678 S * 6/2014 Azuma D14/385
D709,069 S * 7/2014 Cruz et al. D14/385
D716,300 S * 10/2014 Cruz et al. D14/385

(71) Applicants: **James Patrick Durham**, Westlake Village, CA (US); **John Russell Stump**, Santa Barbara, CA (US)

* cited by examiner

(72) Inventors: **James Patrick Durham**, Westlake Village, CA (US); **John Russell Stump**, Santa Barbara, CA (US)

Primary Examiner — Austin Murphy

(74) *Attorney, Agent, or Firm* — QuickPatents; Kevin Prince

(**) Term: **14 Years**

(57) **CLAIM**

We claim the ornamental design for an enclosure for a portable electronic device and a credit card reader, as shown and described.

(21) Appl. No.: **29/449,969**

DESCRIPTION

(22) Filed: **Mar. 15, 2013**

(51) **LOC (10) Cl.** **14-02**

(52) **U.S. Cl.**
USPC **D14/385**

(58) **Field of Classification Search**
USPC D13/107, 108, 133, 146, 147, 152, 154, D13/156, 158, 162; D14/371, 373–376, D14/382, 385–387, 394, 399; D21/324, D21/329, 332, 333; D99/28, 34–36, 43; 235/375, 380, 439, 441, 451, 492; 361/600, 679.01, 679.02, 679.31

See application file for complete search history.

FIG. 1 is an exploded front perspective view of an enclosure for a portable electronic device and a credit card reader, showing our new design with an interchangeable cover and credit card reader exploded away from the enclosure for the portable electronic device;

FIG. 2 is a front perspective view thereof, illustrated with the credit card reader in a landscape orientation;

FIG. 3 is a rear perspective view of FIG. 2;

FIG. 4 is a right-side elevational view of FIG. 2;

FIG. 5 is a left-side elevational view of FIG. 2;

FIG. 6 is a bottom plan view of FIG. 2;

FIG. 7 is a top plan view of FIG. 2;

FIG. 8 is a front elevational view of FIG. 2;

FIG. 9 is a rear elevational view of FIG. 2;

FIG. 10 is a front perspective view thereof showing the credit card reader in an alternate position of use;

FIG. 11 is a rear perspective view of FIG. 10;

FIG. 12 is a front perspective view thereof, showing the credit card reader removed in a in an alternate position of use; and,

FIG. 13 is a rear perspective view of FIG. 12.

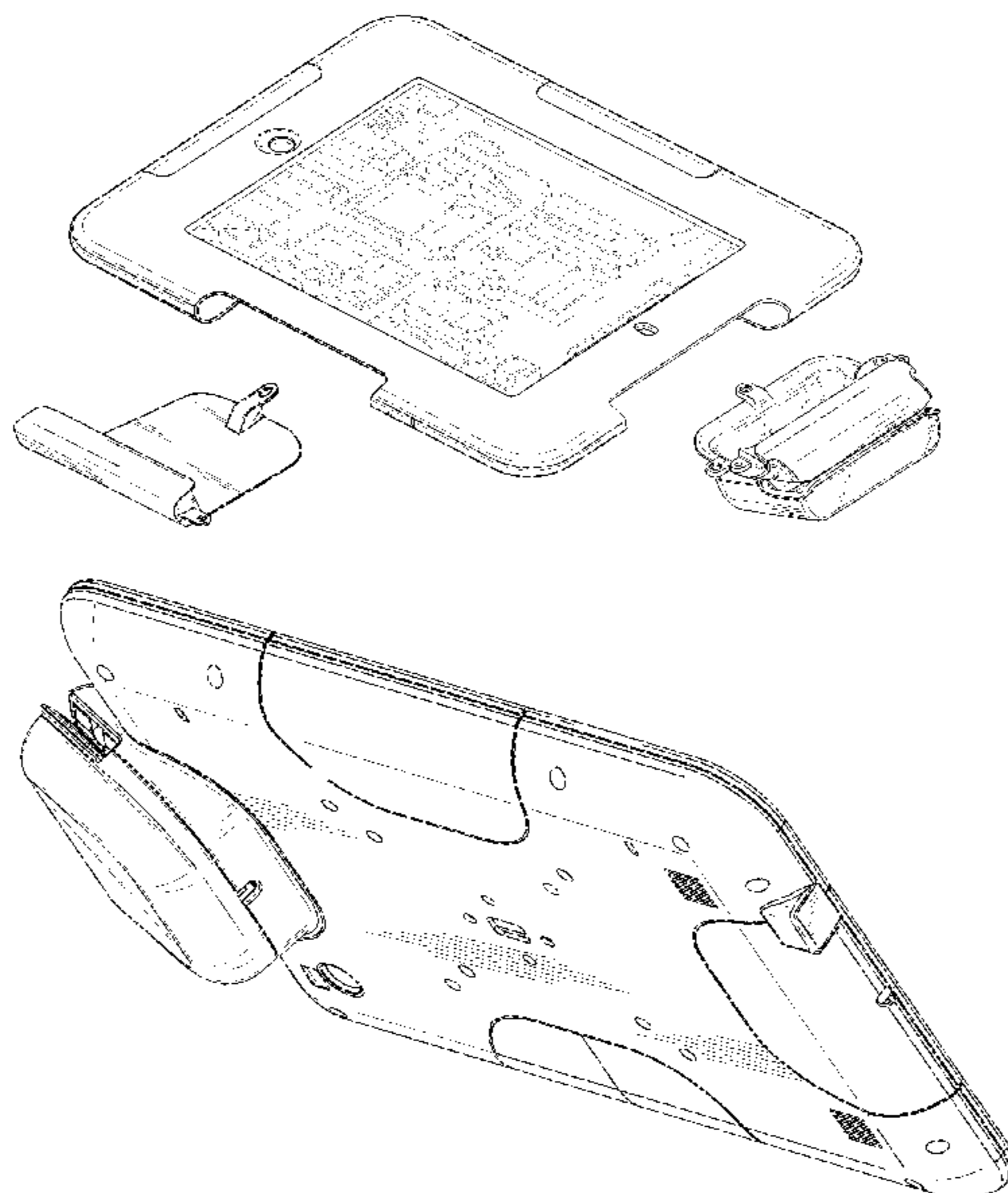
The broken lines showing internal structures of the enclosure form no part of the claimed design.

(56) **References Cited**

U.S. PATENT DOCUMENTS

D357,495 S * 4/1995 Skaggs et al. D18/12.3
D493,816 S * 8/2004 Butler D18/4.6
D595,252 S * 6/2009 Thorne et al. D14/129
D681,639 S * 5/2013 Cruz et al. D14/385
D691,141 S * 10/2013 Cruz D14/439
D692,885 S * 11/2013 Cruz D14/385
D698,384 S * 1/2014 Cruz D18/4.4
D700,602 S * 3/2014 Chen et al. D14/336

1 Claim, 11 Drawing Sheets



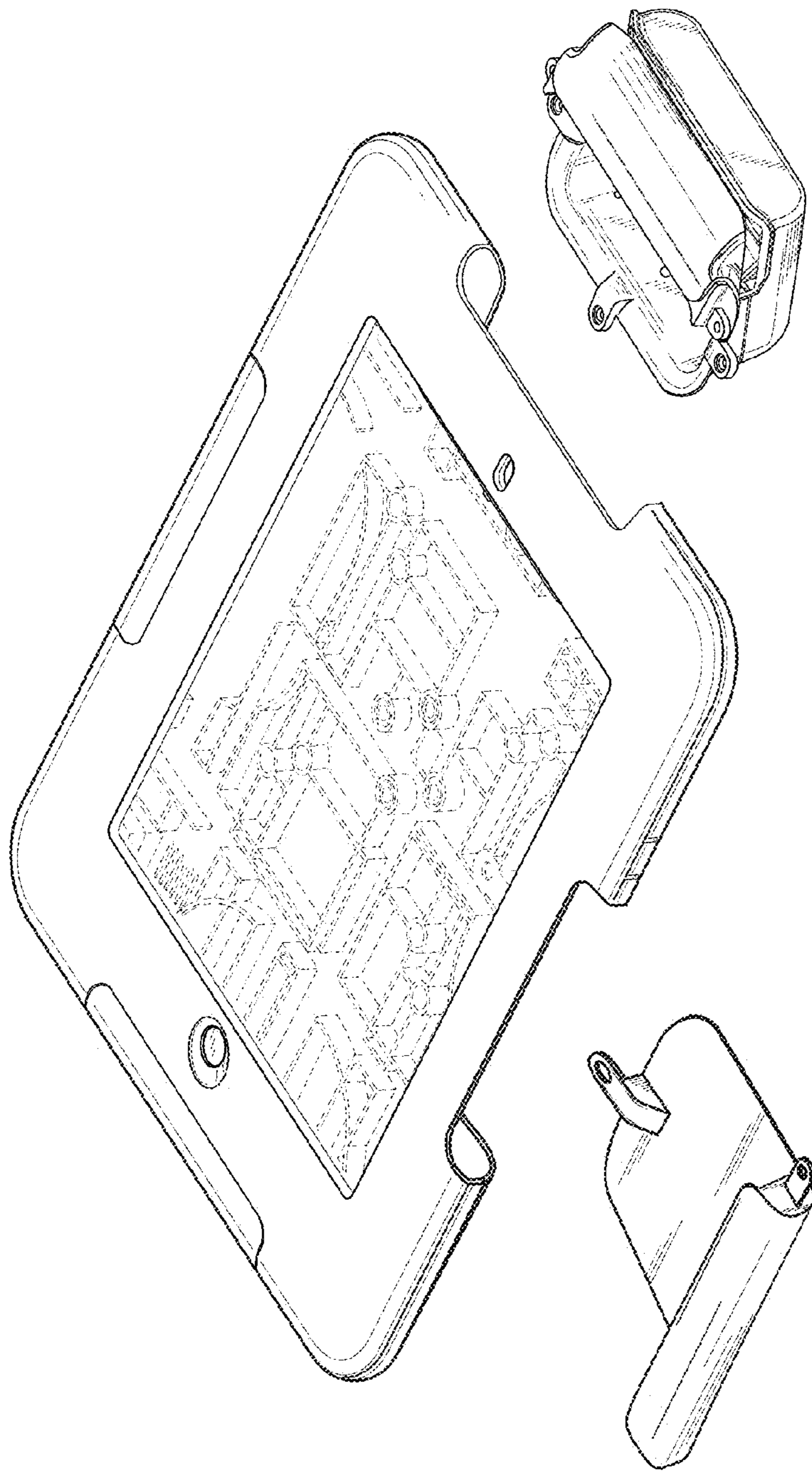


FIG. 1

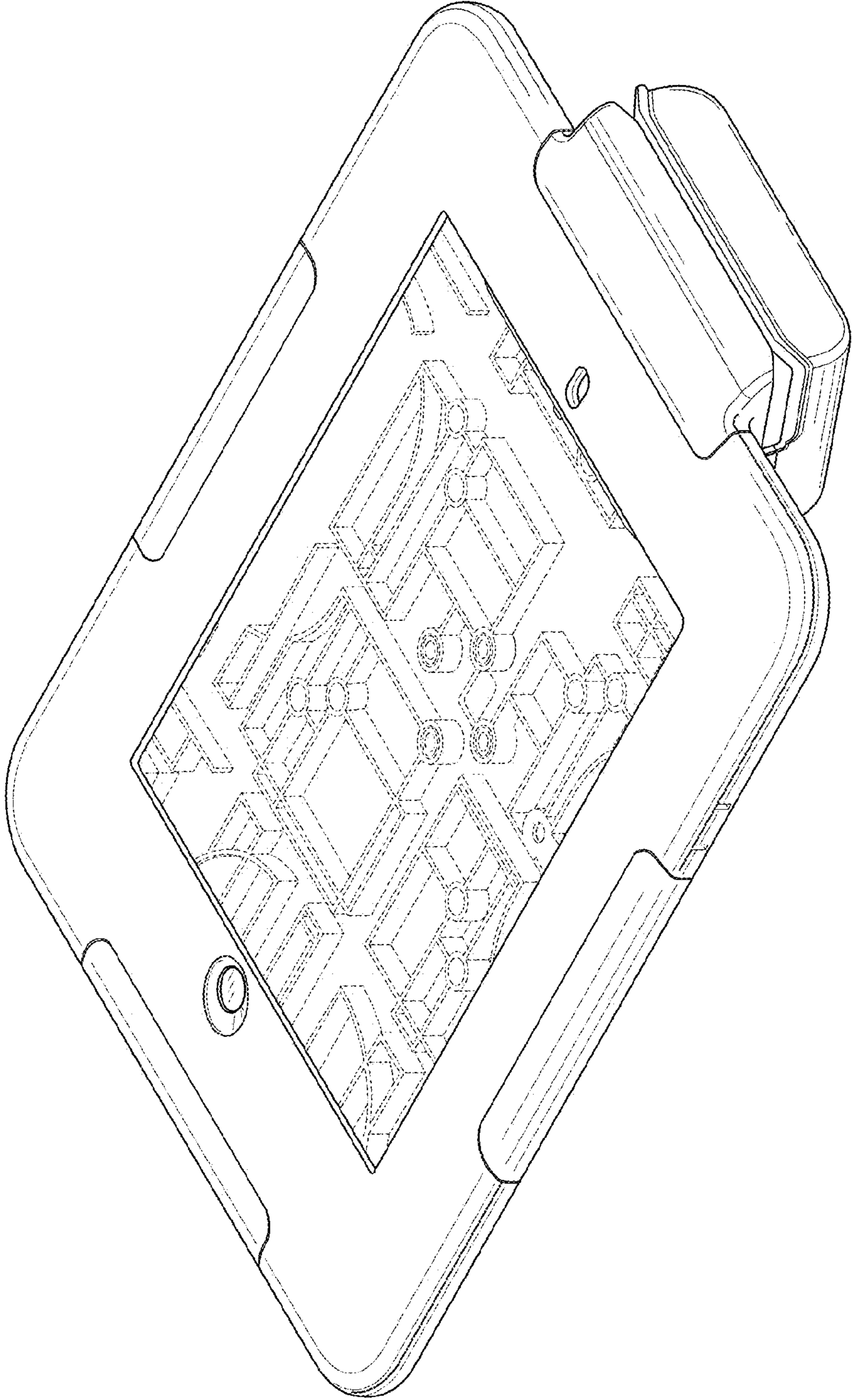


FIG. 2

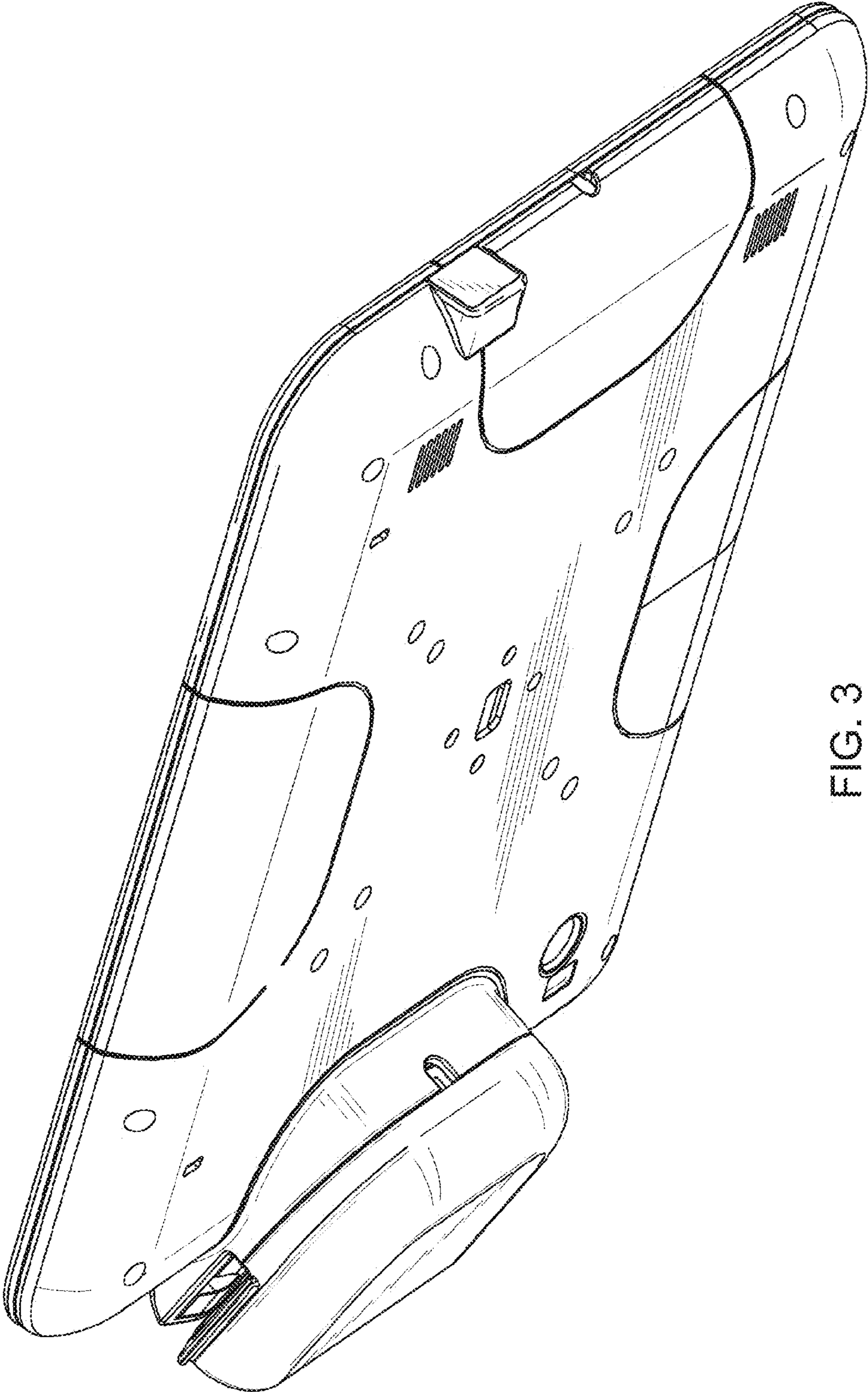


FIG. 3

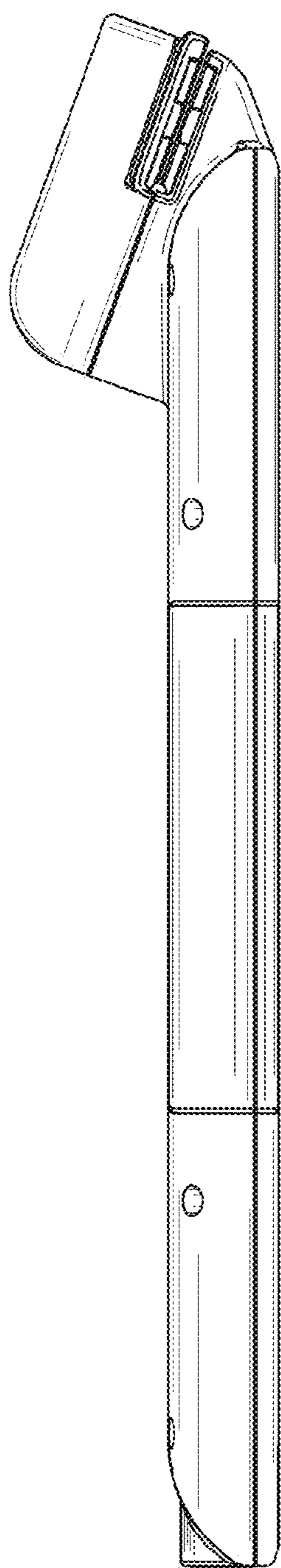


FIG. 4

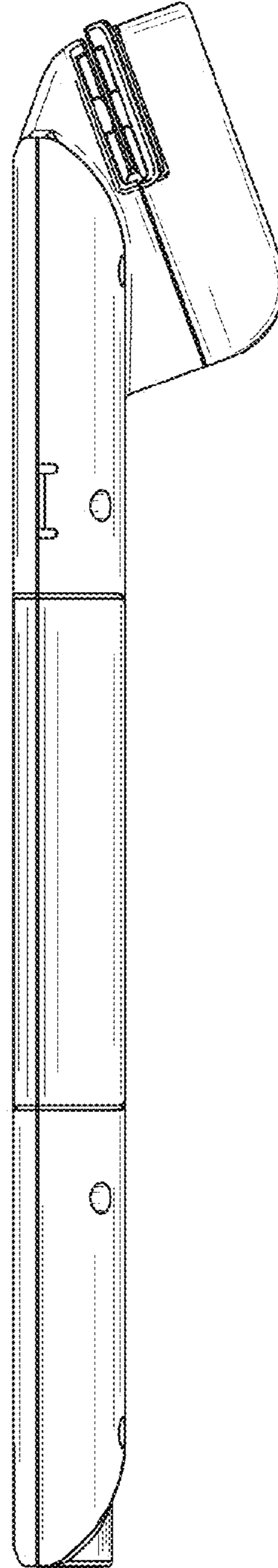


FIG. 5

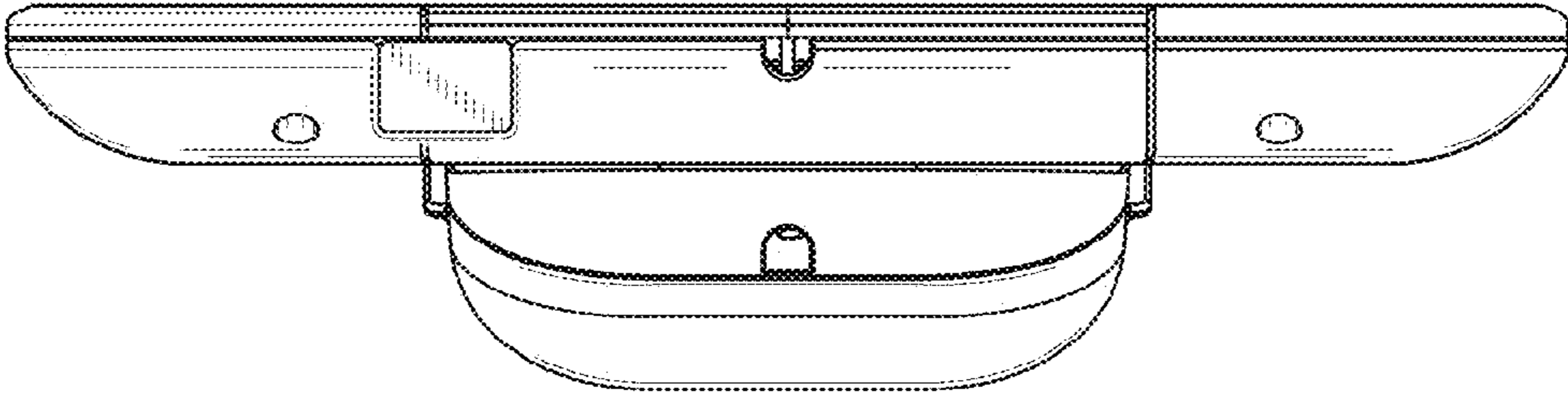


FIG. 6

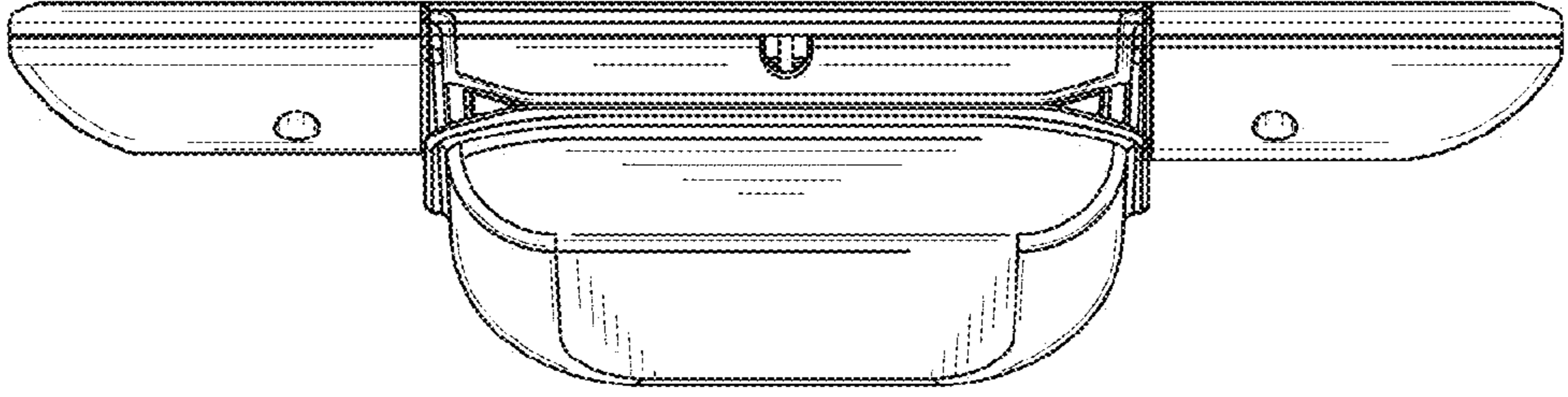


FIG. 7

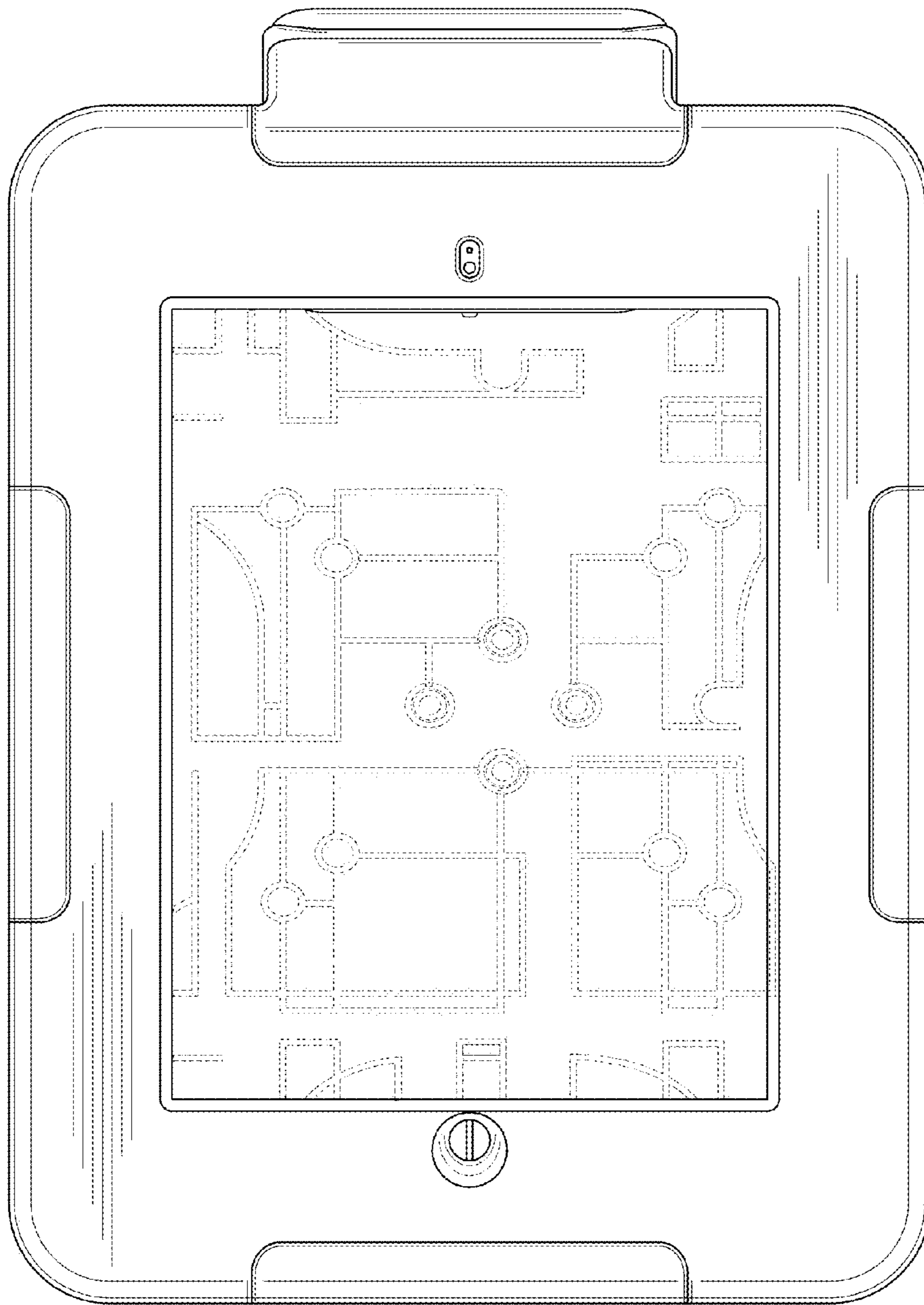


FIG. 8

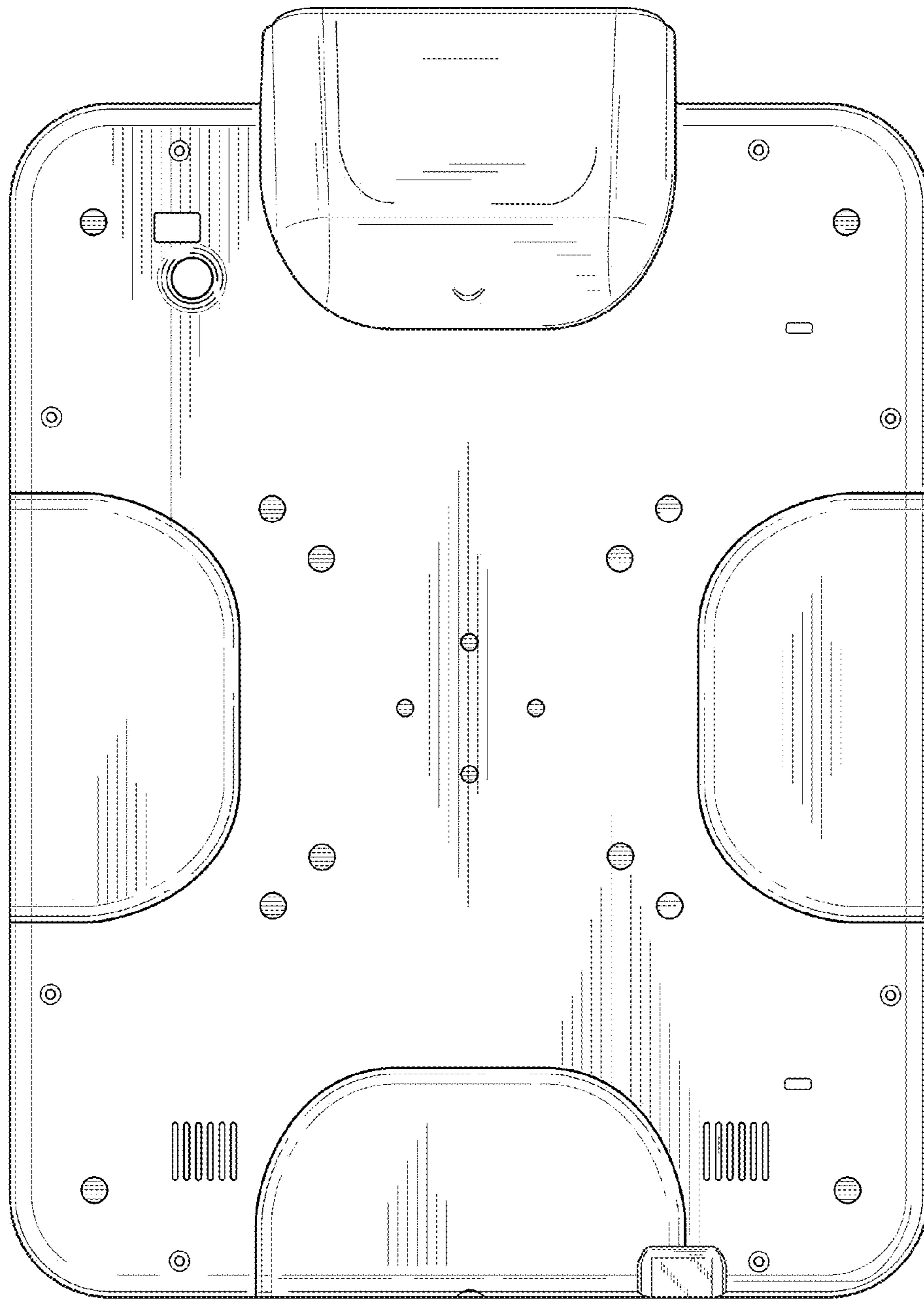


FIG. 9

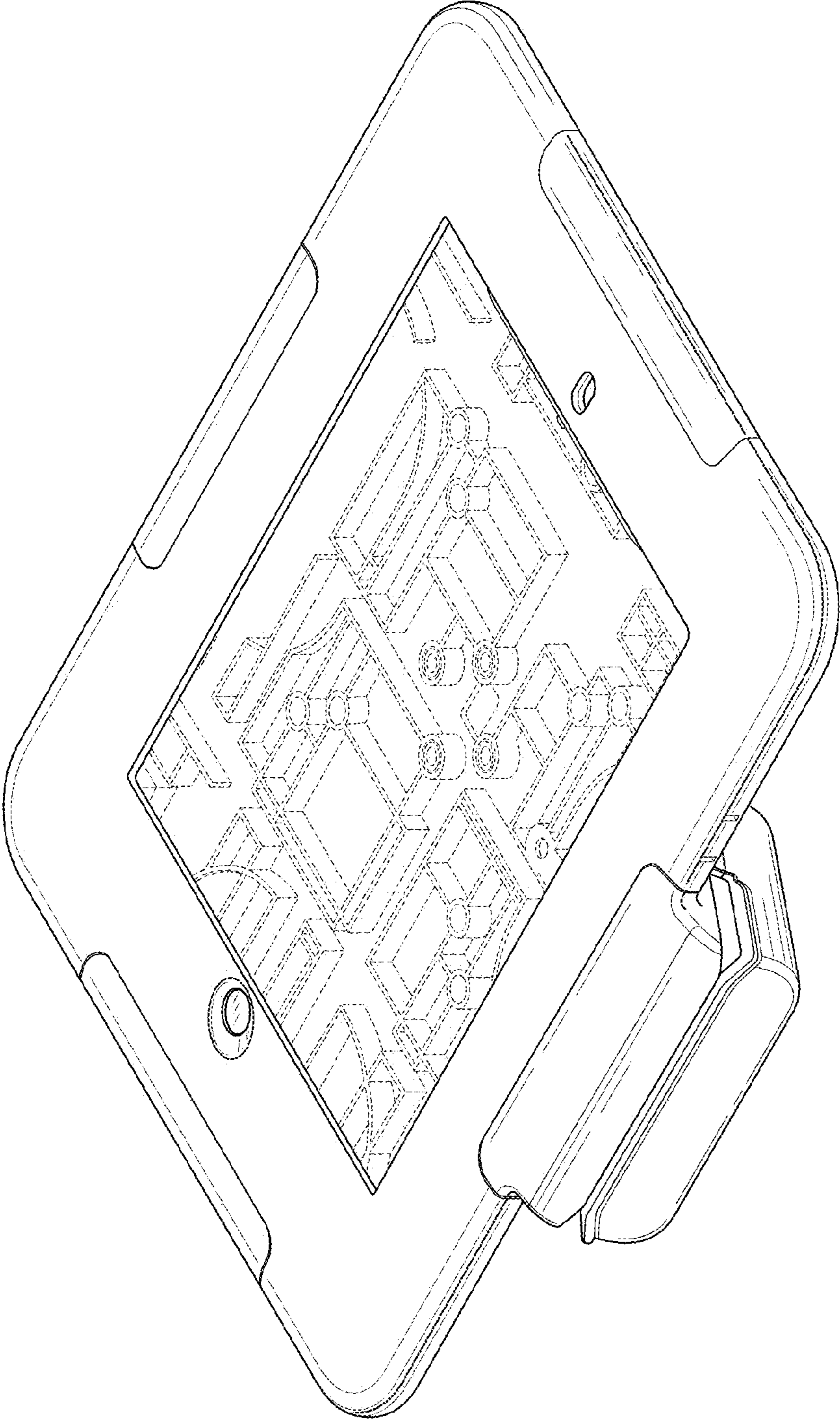


FIG. 10

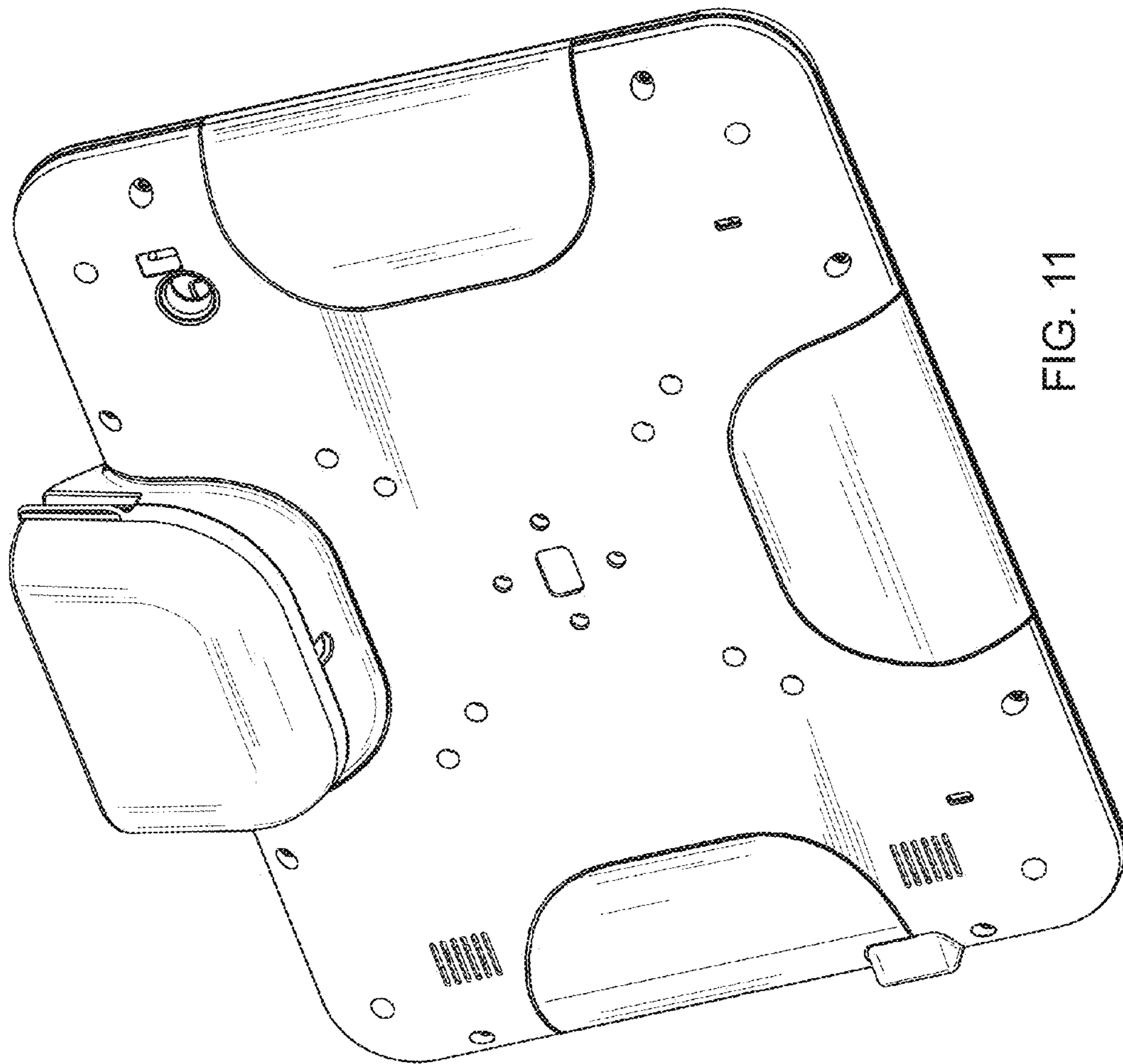


FIG. 11

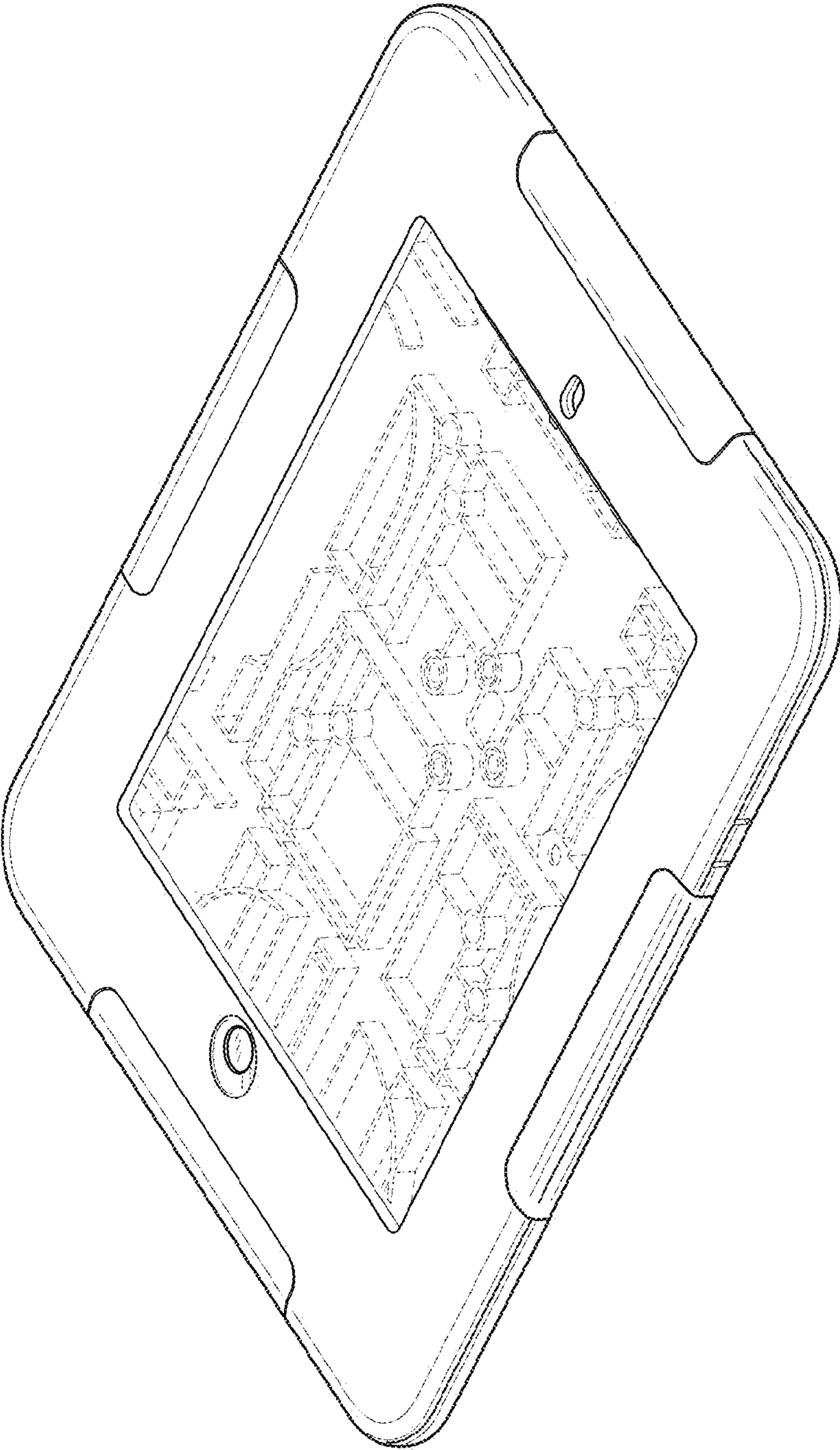


FIG. 12

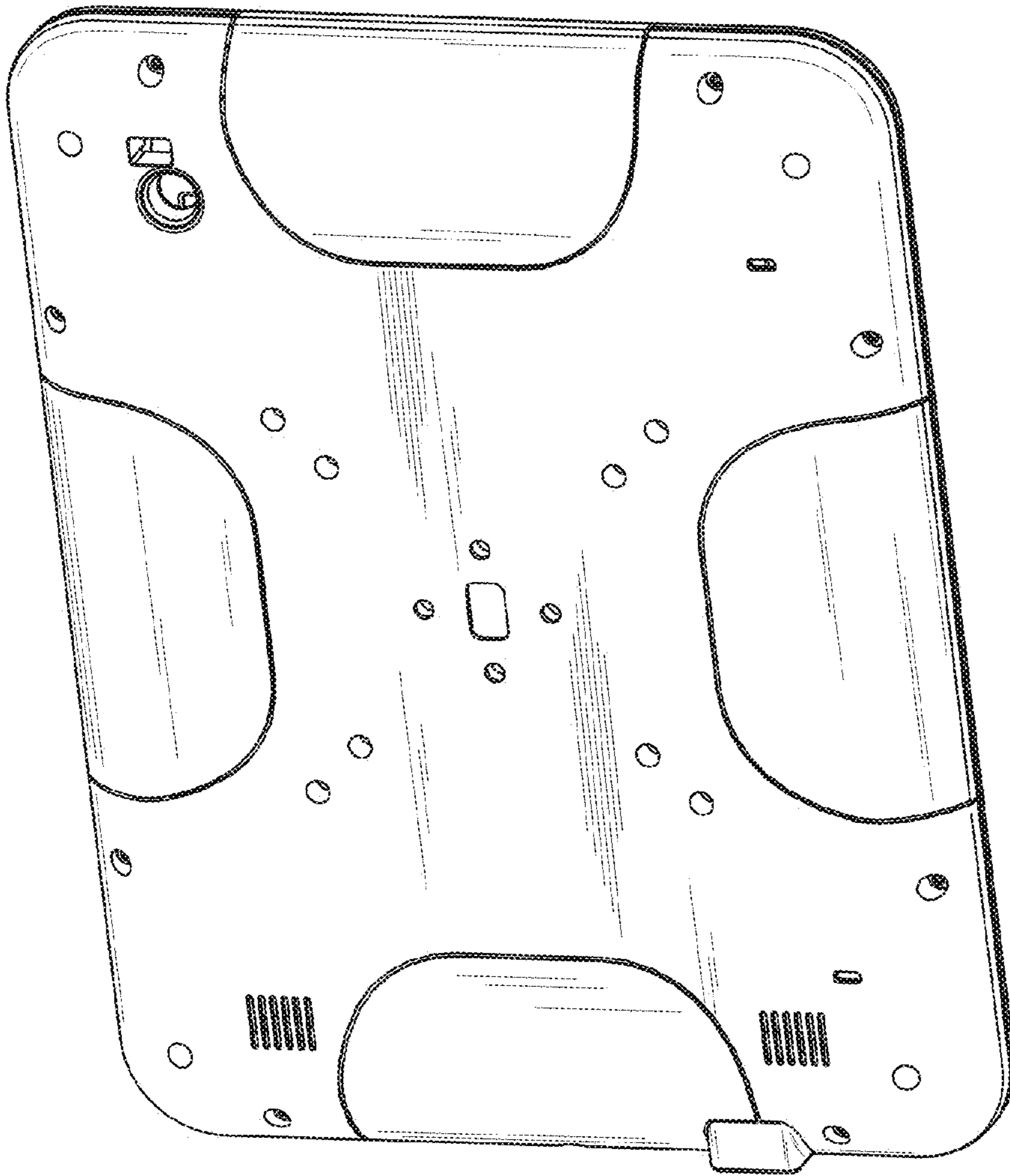


FIG. 13