



US00D726181S

(12) **United States Design Patent**  
**Lee et al.**

(10) **Patent No.:** **US D726,181 S**  
(45) **Date of Patent:** **\*\* Apr. 7, 2015**

(54) **MONITOR**

(71) Applicant: **Samsung Electronics Co., Ltd.**,  
Suwon-si (KR)

(72) Inventors: **Yong-Joo Lee**, Seoul (KR); **Jiao Li**,  
Shanghai (CN)

(73) Assignee: **Samsung Electronics Co., Ltd.** (KR)

(\*\*) Term: **14 Years**

(21) Appl. No.: **29/464,058**

(22) Filed: **Aug. 12, 2013**

(30) **Foreign Application Priority Data**

Feb. 12, 2013 (KR) ..... 30-2013-0007329

(51) **LOC (10) Cl.** ..... **14-02**

(52) **U.S. Cl.**  
USPC ..... **D14/374**

(58) **Field of Classification Search**

USPC ..... D14/371-375, 125-129, 336, 337;  
341/12; 345/104, 156, 168, 173;  
348/180, 184, 325, 739; 349/1, 2, 11,  
349/62; 361/679.05-679.07, 679.21;  
D6/300, 308

See application file for complete search history.

(56) **References Cited**

U.S. PATENT DOCUMENTS

D616,884 S \* 6/2010 Kim et al. .... D14/374  
D630,209 S \* 1/2011 Lee et al. .... D14/374

D657,792 S \* 4/2012 Lee et al. .... D14/374  
D667,826 S \* 9/2012 Lee et al. .... D14/374  
2011/0096486 A1 \* 4/2011 Oh et al. .... 361/679.21  
2012/0176752 A1 \* 7/2012 Yoon ..... 361/748

\* cited by examiner

*Primary Examiner* — Freda S Nunn

(74) *Attorney, Agent, or Firm* — Cantor Colburn LLP

(57) **CLAIM**

We claim, the ornamental design for a monitor, as shown and described.

**DESCRIPTION**

FIG. 1 is the front/right-side/top perspective view of a monitor showing our new design;

FIG. 2 is the front elevation view thereof;

FIG. 3 is the rear elevation view thereof;

FIG. 4 is the left-side elevation view thereof;

FIG. 5 is the right-side elevation view thereof;

FIG. 6 is the top-side plan view thereof;

FIG. 7 is the bottom-side plan view thereof; and,

FIG. 8 is the rear perspective view thereof.

The surface treatment of the monitor shown in the figures forms no part of the claimed design, a monitor according to the claimed design may have any surface treatment.

The relatively solid black appearance shown in portions of FIGS. 4-6 represent the curved features shown in FIG. 3.

The dashed broken lines illustrating portions of the monitor are for environmental purposes only and form no part of the claimed design.

**1 Claim, 8 Drawing Sheets**

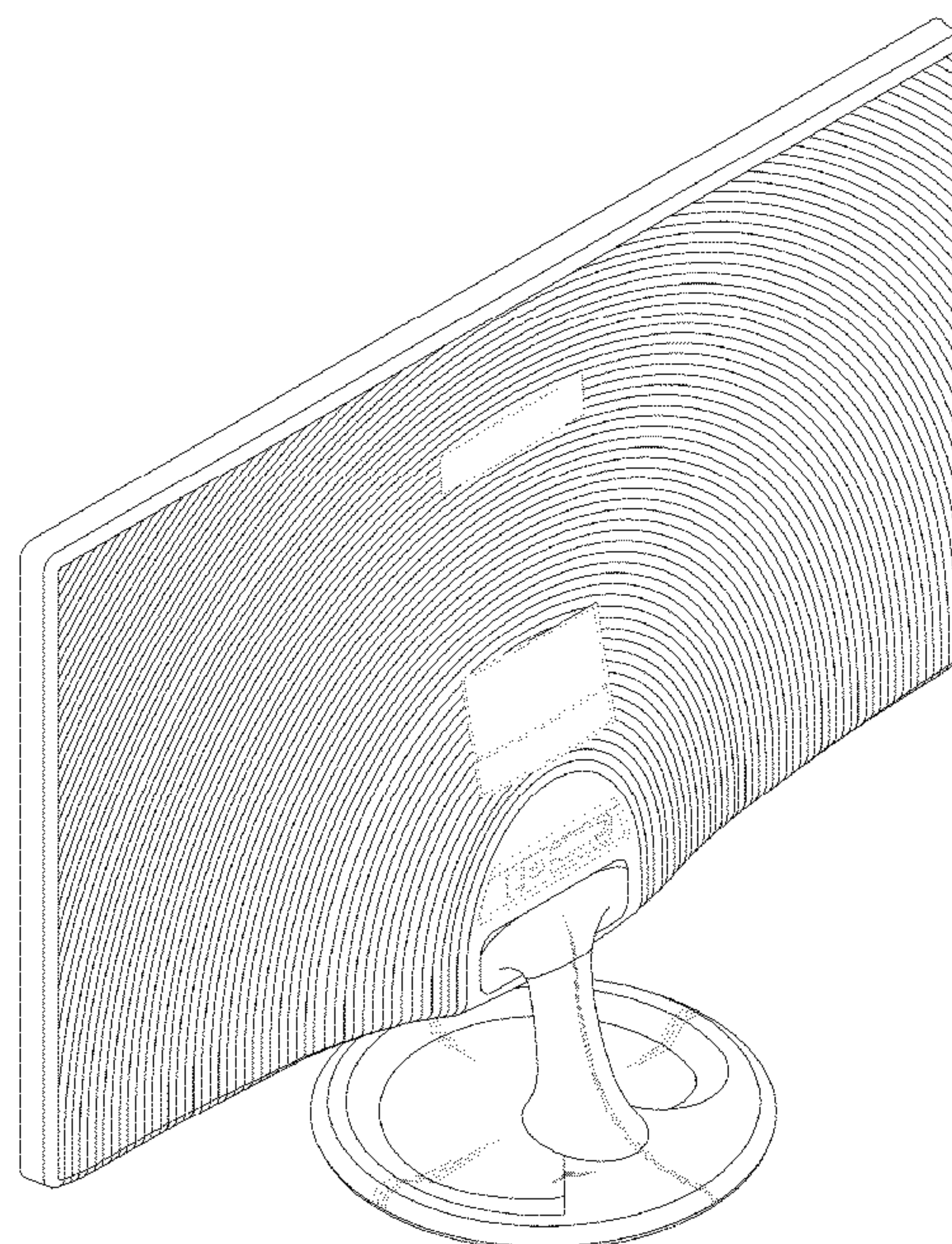
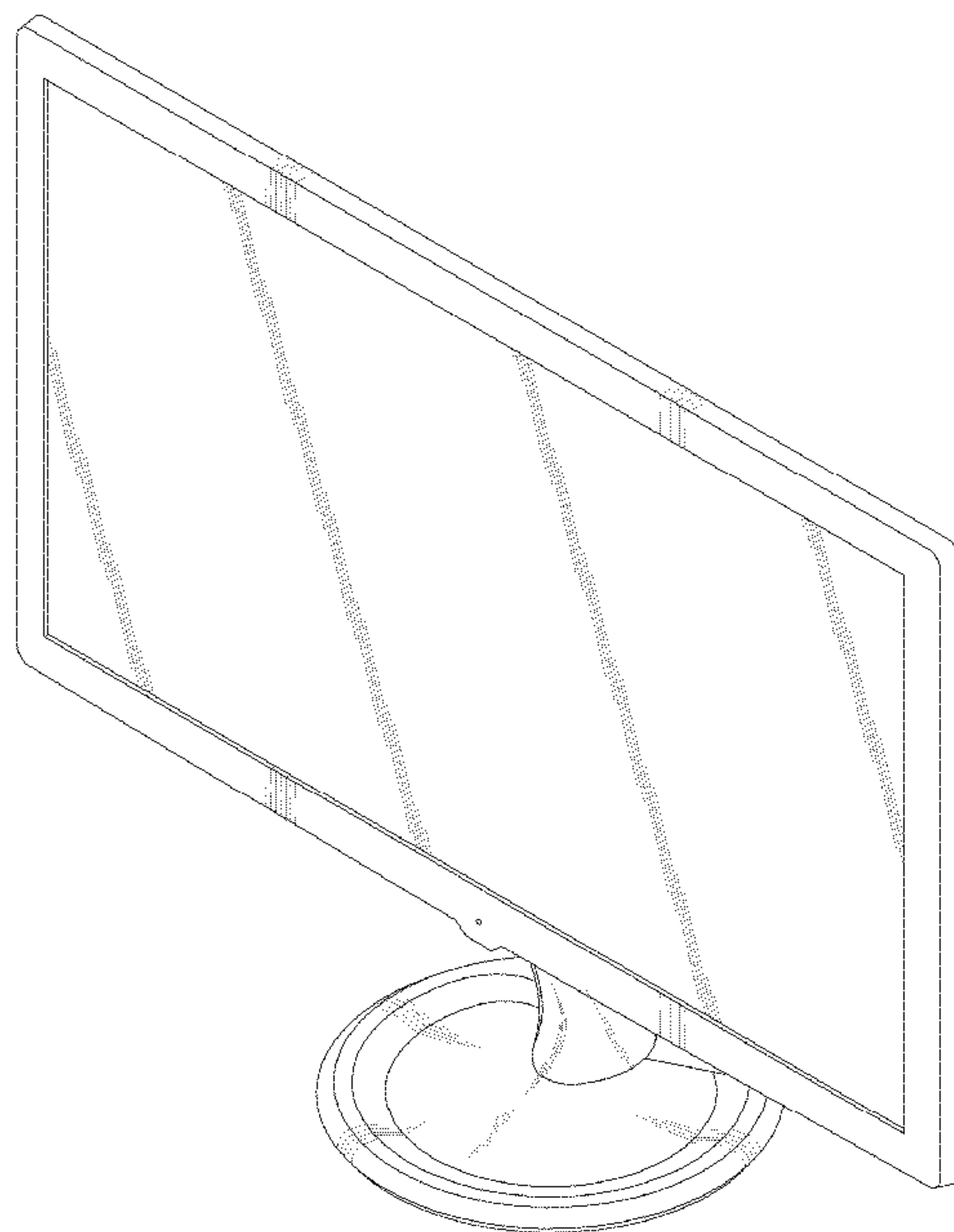


FIG. 1

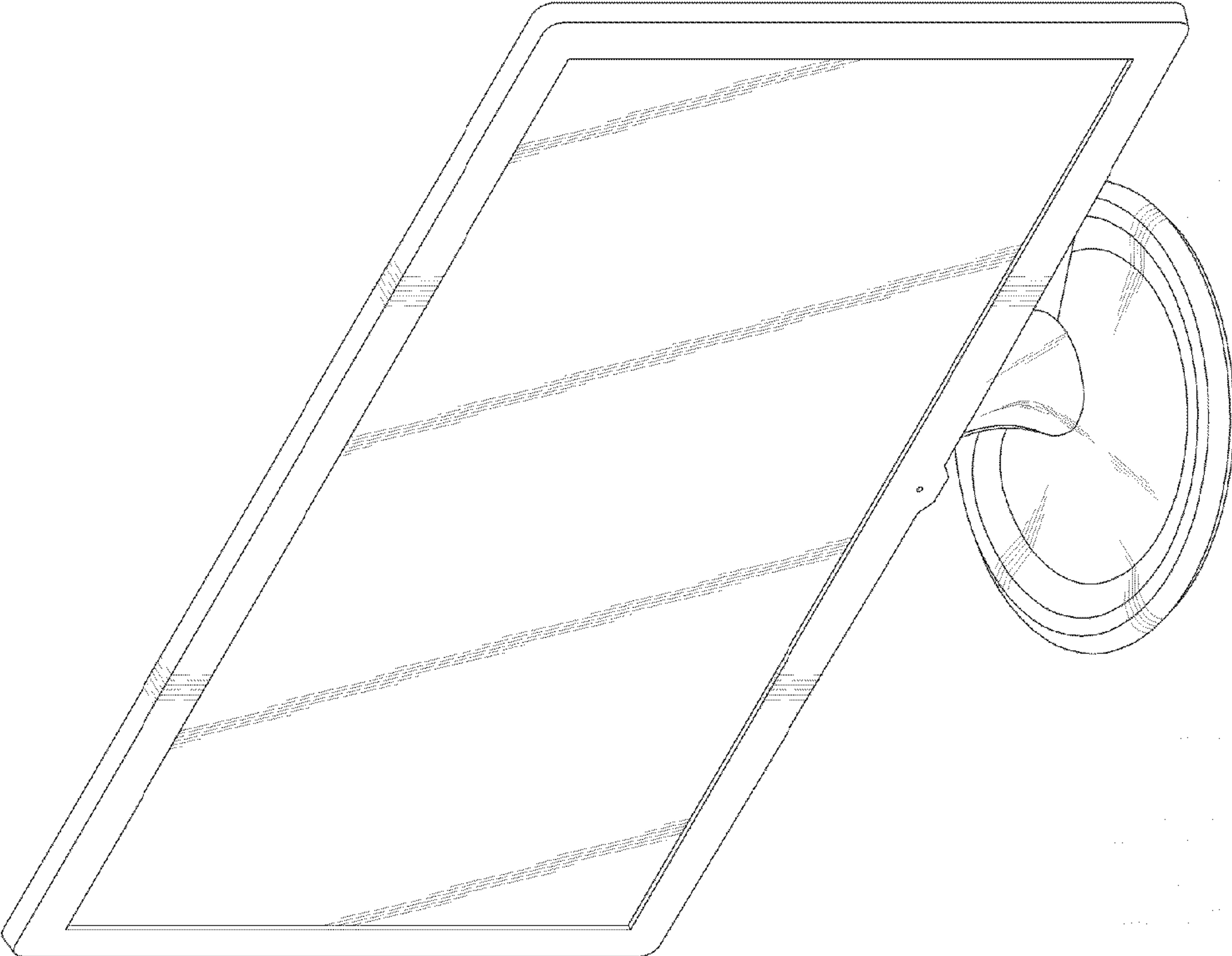


FIG. 2

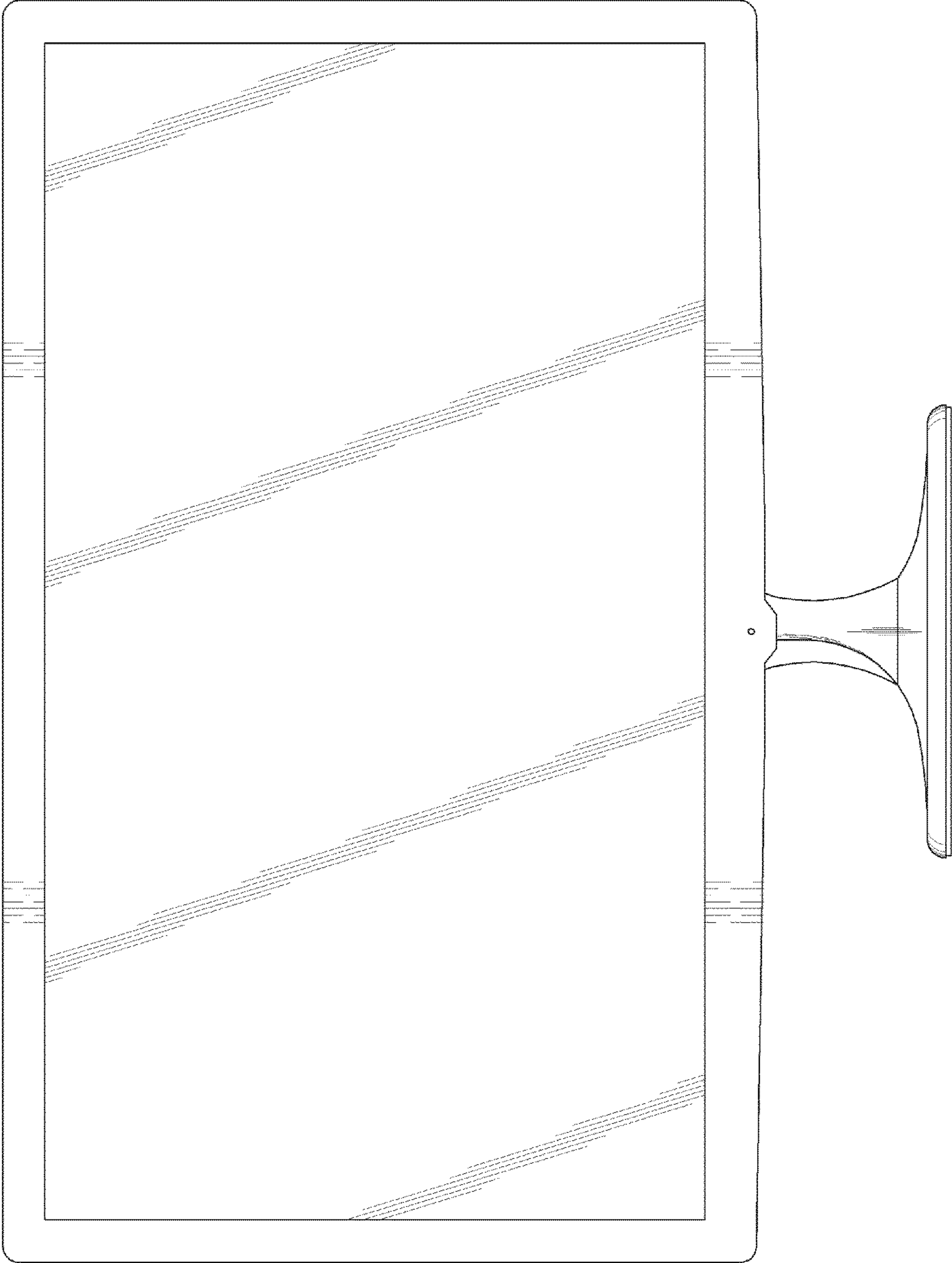




FIG. 3

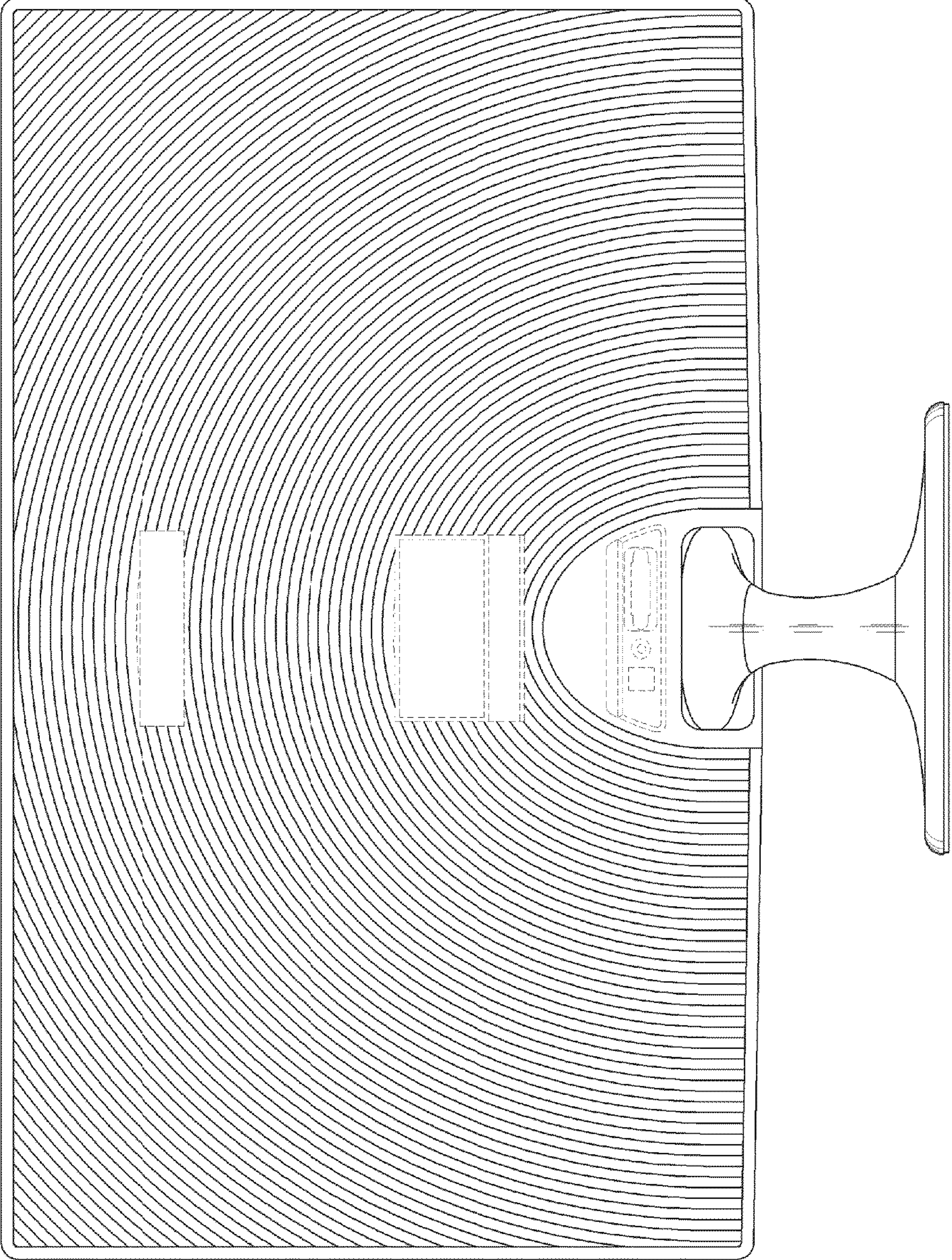


FIG. 4

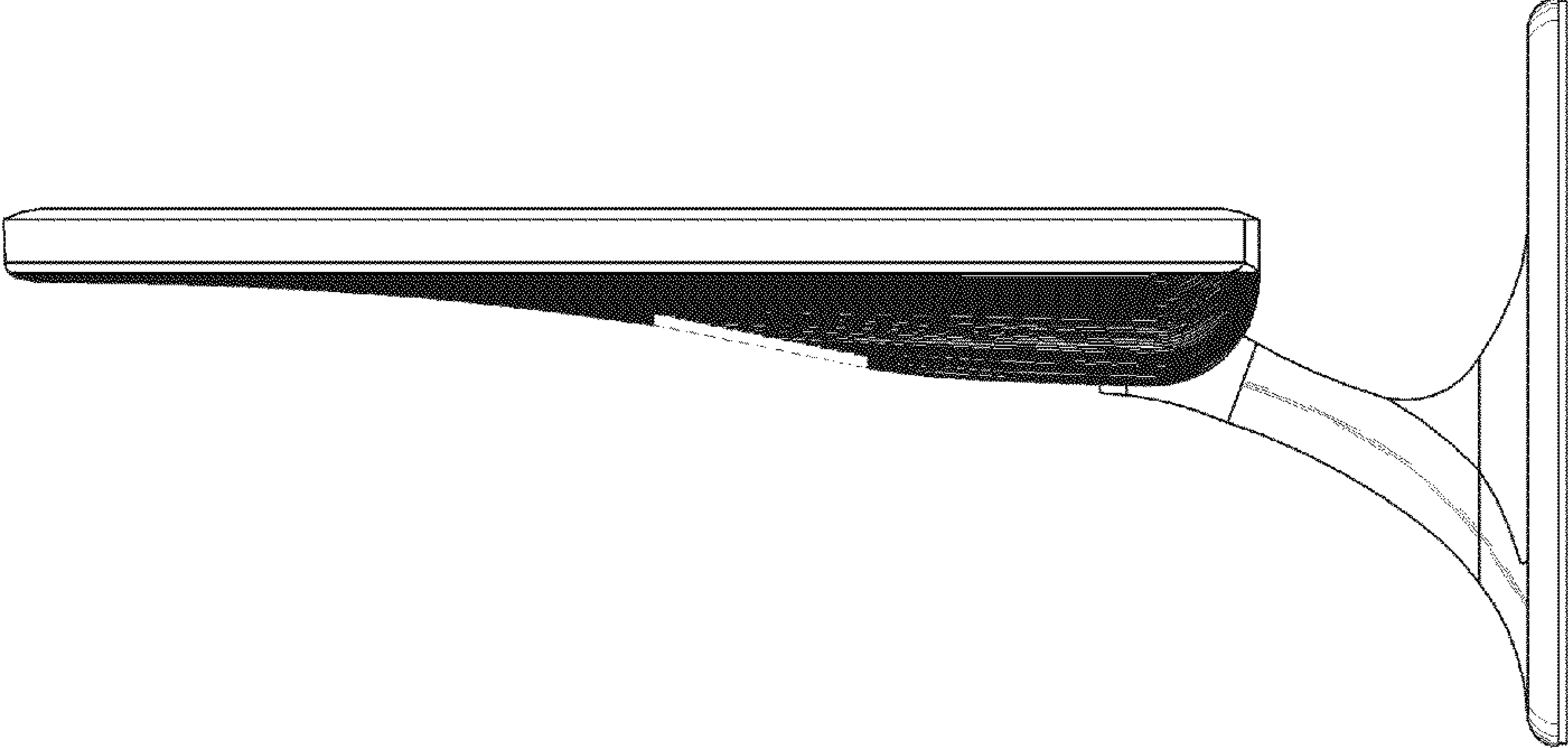


FIG. 5

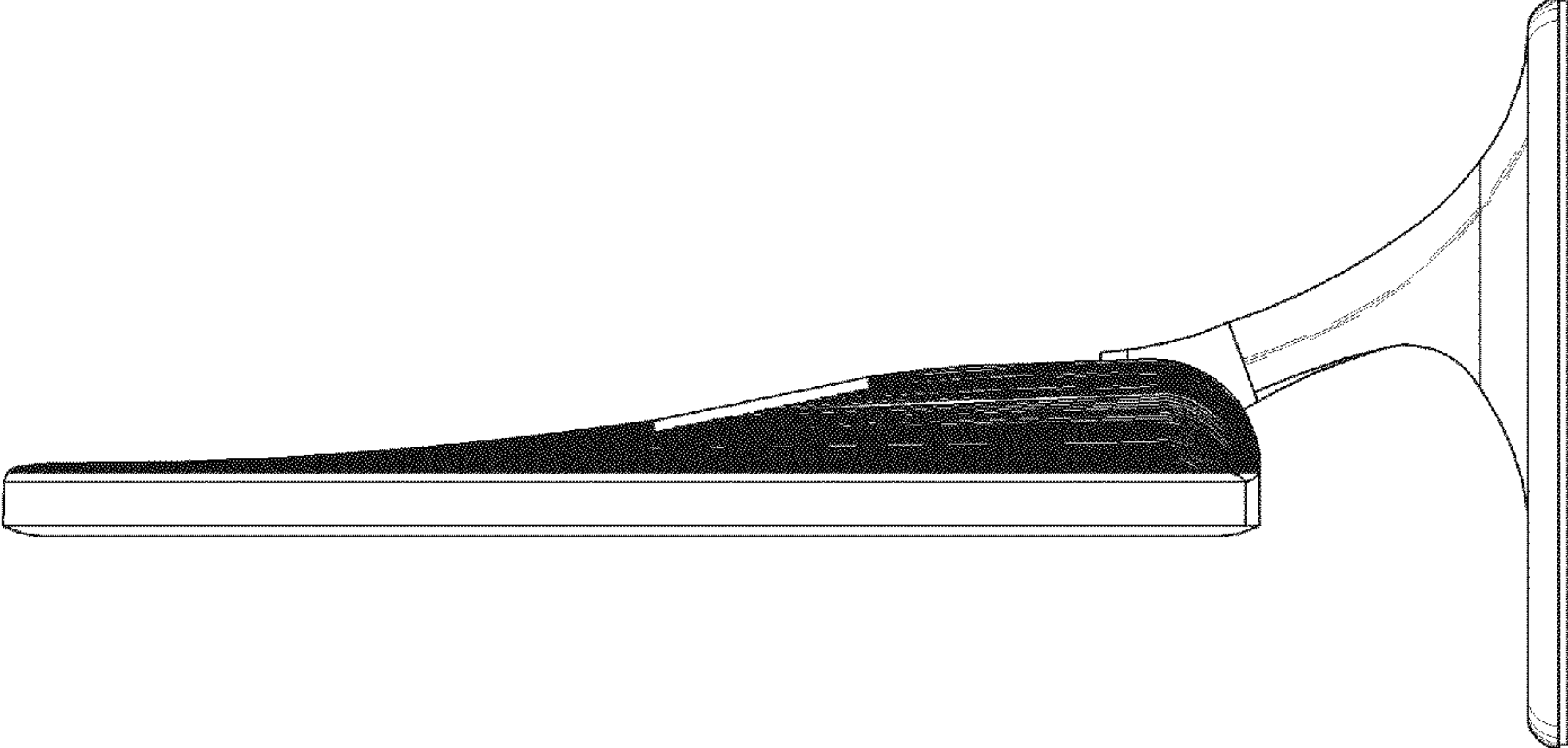
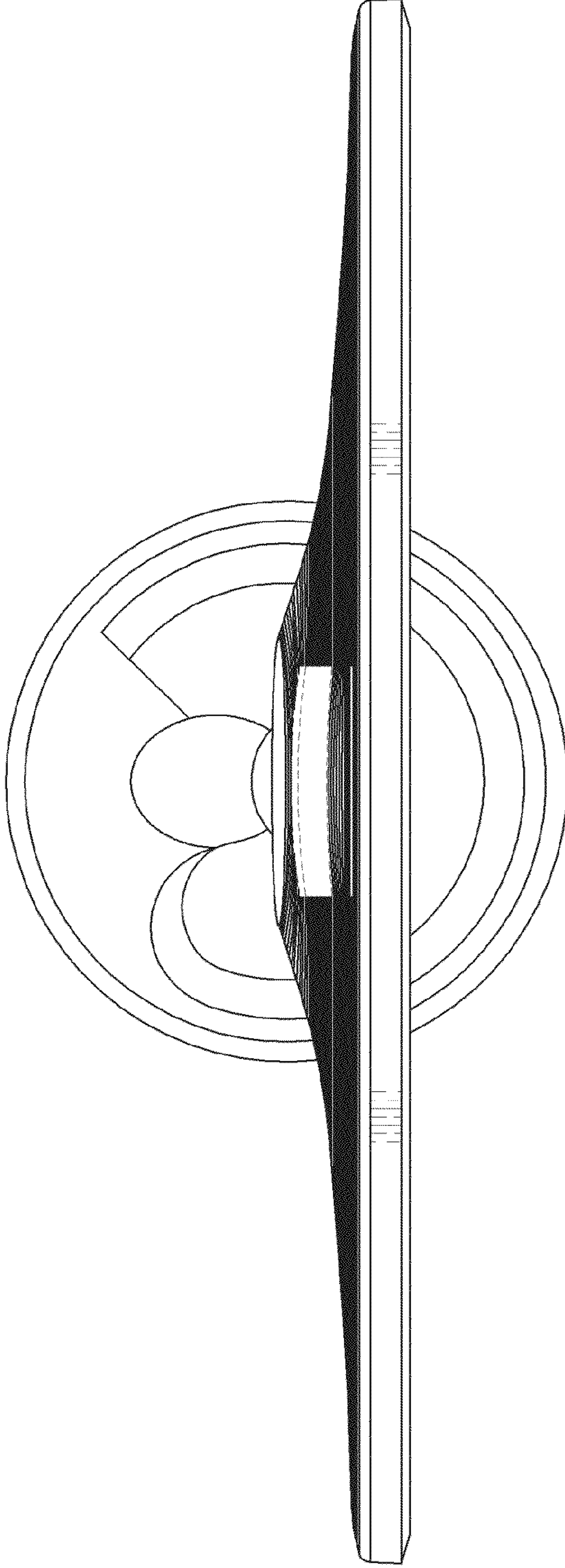




FIG. 6



**FIG. 7**

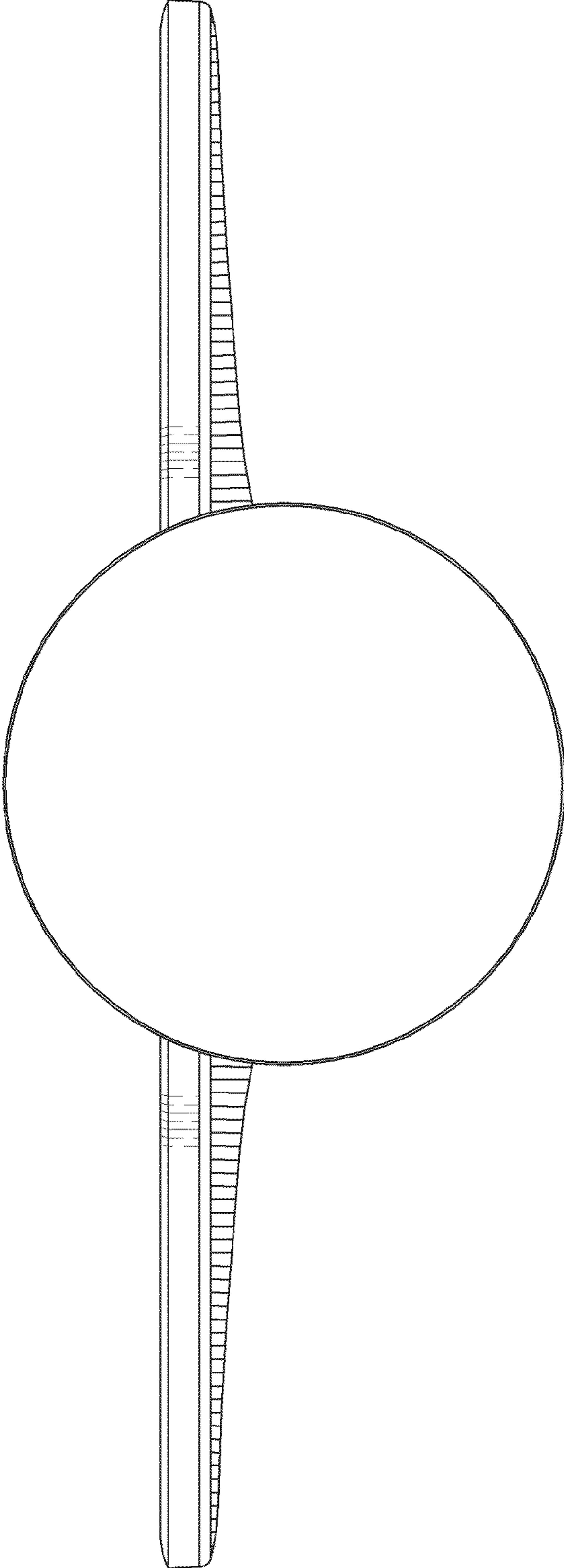




FIG. 8

