



US00D726180S

(12) **United States Design Patent**
Roat et al.

(10) **Patent No.:** **US D726,180 S**
(45) **Date of Patent:** **** Apr. 7, 2015**

(54) **VIDEO EYEWEAR DEVICE**

(71) Applicant: **Vuzix Corporation**, Rochester, NY (US)

(72) Inventors: **Jonathan D. Roat**, Macedon, NY (US);
David A. Vogler, Rochester, NY (US);
Tyler W. Porter, Honeoye Falls, NY (US)

(73) Assignee: **Vuzix Corporation**, Rochester, NY (US)

(**) Term: **14 Years**

(21) Appl. No.: **29/452,614**

(22) Filed: **Apr. 18, 2013**

(51) **LOC (10) Cl.** **14-02**

(52) **U.S. Cl.**
USPC **D14/372**

(58) **Field of Classification Search**

CPC G02B 27/017; G02B 27/0158; G02B
27/0161; G02B 27/0181; G02B 27/0185;
G02B 27/0189

USPC D14/372, 496, 432, 371, 125, 126, 129,
D14/299; D16/300-342; 351/158, 153, 144;
345/7-9, 905; 455/344; 348/115, 53,
348/121, 739

See application file for complete search history.

(56) **References Cited**

U.S. PATENT DOCUMENTS

D338,514 S * 8/1993 Holmes D14/372
D363,482 S * 10/1995 Robinson et al. D14/372

(Continued)

FOREIGN PATENT DOCUMENTS

CA D119784 9/2008
CA D122544 6/2009

OTHER PUBLICATIONS

Notice of Reasons for Rejection received in corresponding Japanese Application No. 2013-024268 dated Dec. 24, 2013 (English translation was provided by Yousen Patent Attorneys and Associates 4 pages.

Primary Examiner — Austin Murphy

(74) *Attorney, Agent, or Firm* — Brian B. Shaw, Esq.;
Thomas B. Ryan; Harter Secrest & Emery LLP

(57) **CLAIM**

The ornamental design for a video eyewear device, as shown and described herein.

DESCRIPTION

FIG. 1 is a front perspective view of a first embodiment of the video eyewear device showing my design;

FIG. 2 is a top view of the video eyewear device shown in FIG. 1;

FIG. 3 is a rear elevation view of the video eyewear device shown in FIG. 1;

FIG. 4 is a left side elevation view of the video eyewear device shown in FIG. 1;

FIG. 5 is a front elevation view of the video eyewear device shown in FIG. 1;

FIG. 6 is a right side elevation view of the video eyewear device of FIG. 1;

FIG. 7 is a bottom view, which is a mirror image of the top view, of the video eyewear device of FIG. 1;

FIG. 8 is a front perspective view of a second embodiment of the video eyewear device showing my design;

FIG. 9 is a top view of the video eyewear device shown in FIG. 8;

FIG. 10 is a rear elevation view of the video eyewear device shown in FIG. 8;

FIG. 11 is a left side elevation view of the video eyewear device shown in FIG. 8;

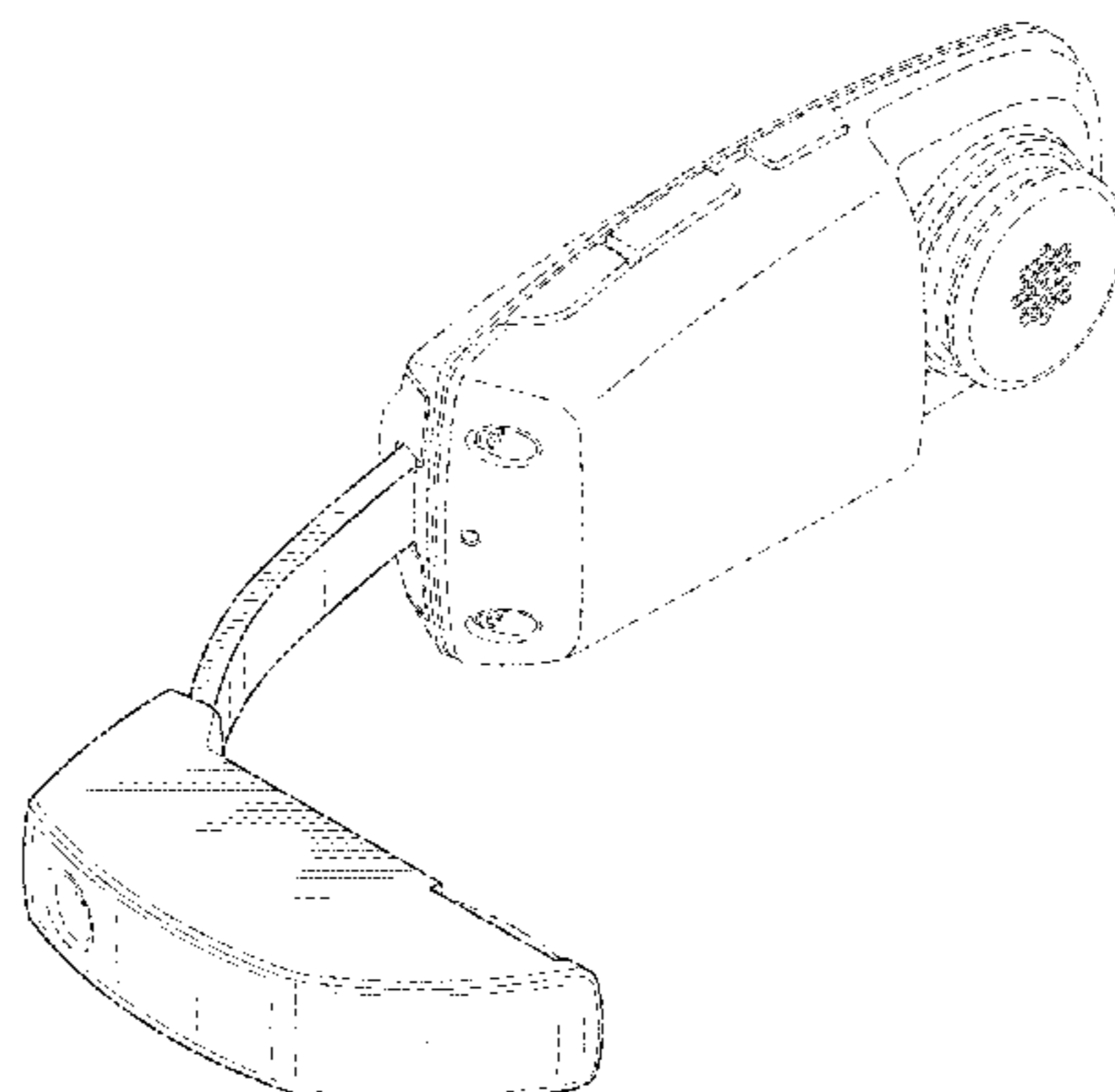
FIG. 12 is a front elevation view of the video eyewear device shown in FIG. 8;

FIG. 13 is a right side elevation view of the video eyewear device of FIG. 8; and,

FIG. 14 is a bottom view, which is a mirror image of the top view, of the video eyewear device of FIG. 8.

The broken lines shown in FIGS. 1 through 14 illustrating various ornamental and functional features of the device including the earpiece section of the device represent environmental elements only and form no part of the claimed design.

1 Claim, 10 Drawing Sheets



(56)

References Cited

U.S. PATENT DOCUMENTS

D369,595 S *	5/1996	Kober et al.	D14/372	D566,744 S	4/2008	Travers et al.	
D370,909 S *	6/1996	Oikawa et al.	D14/372	D571,366 S *	6/2008	Lee et al.	D14/372
D439,265 S *	3/2001	Hayashi	D16/300	D645,862 S *	9/2011	Paul	D14/372
D440,967 S *	4/2001	Jung	D14/372	D669,471 S *	10/2012	Hwang et al.	D14/372
D521,493 S *	5/2006	Wai	D14/205	D685,345 S *	7/2013	Serota	D14/205
				D687,434 S *	8/2013	Serota	D14/372
				D704,706 S *	5/2014	Serota	D14/372
				2013/0237146 A1 *	9/2013	Serota	455/12.1

* cited by examiner

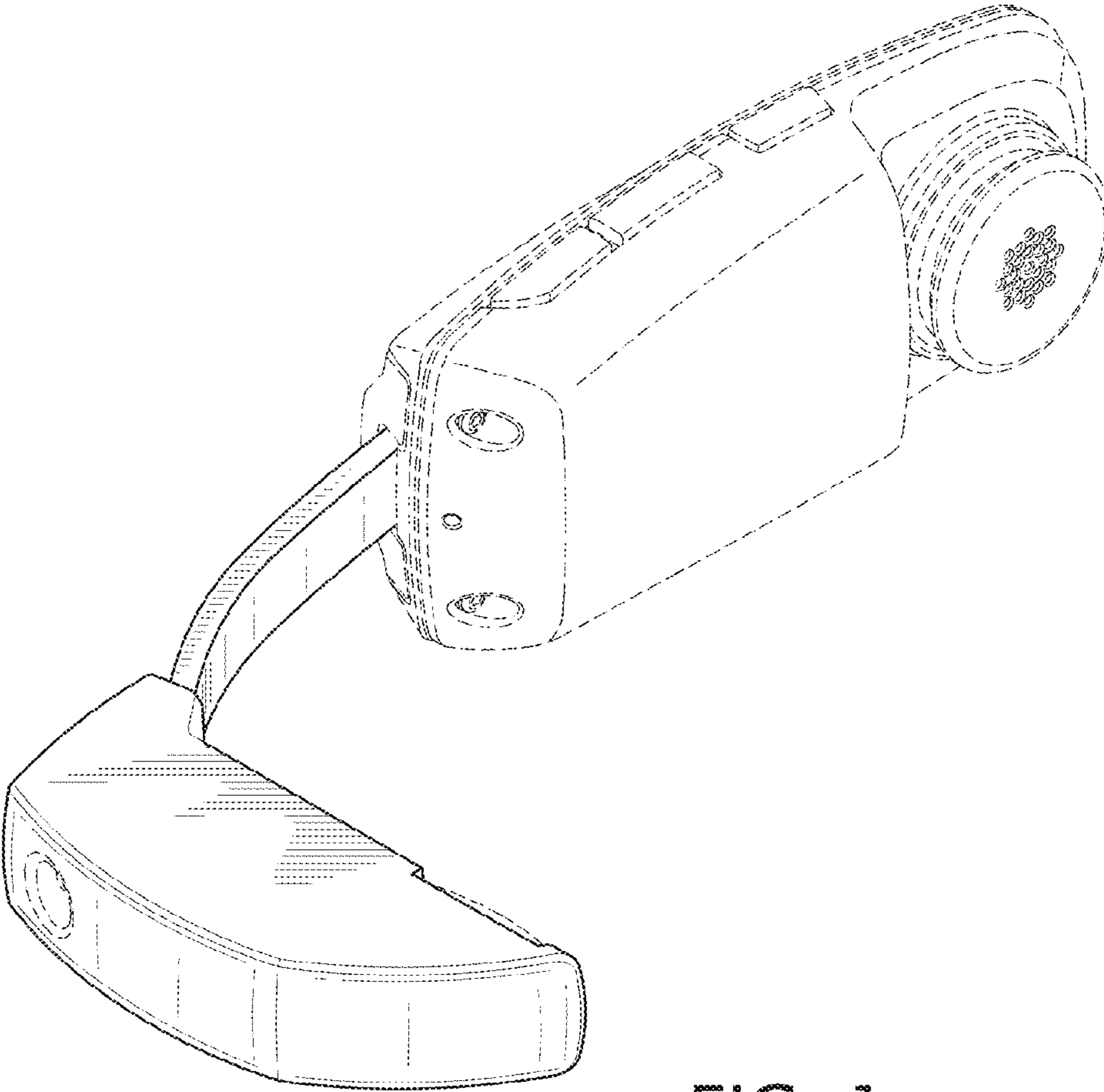


FIG. 1

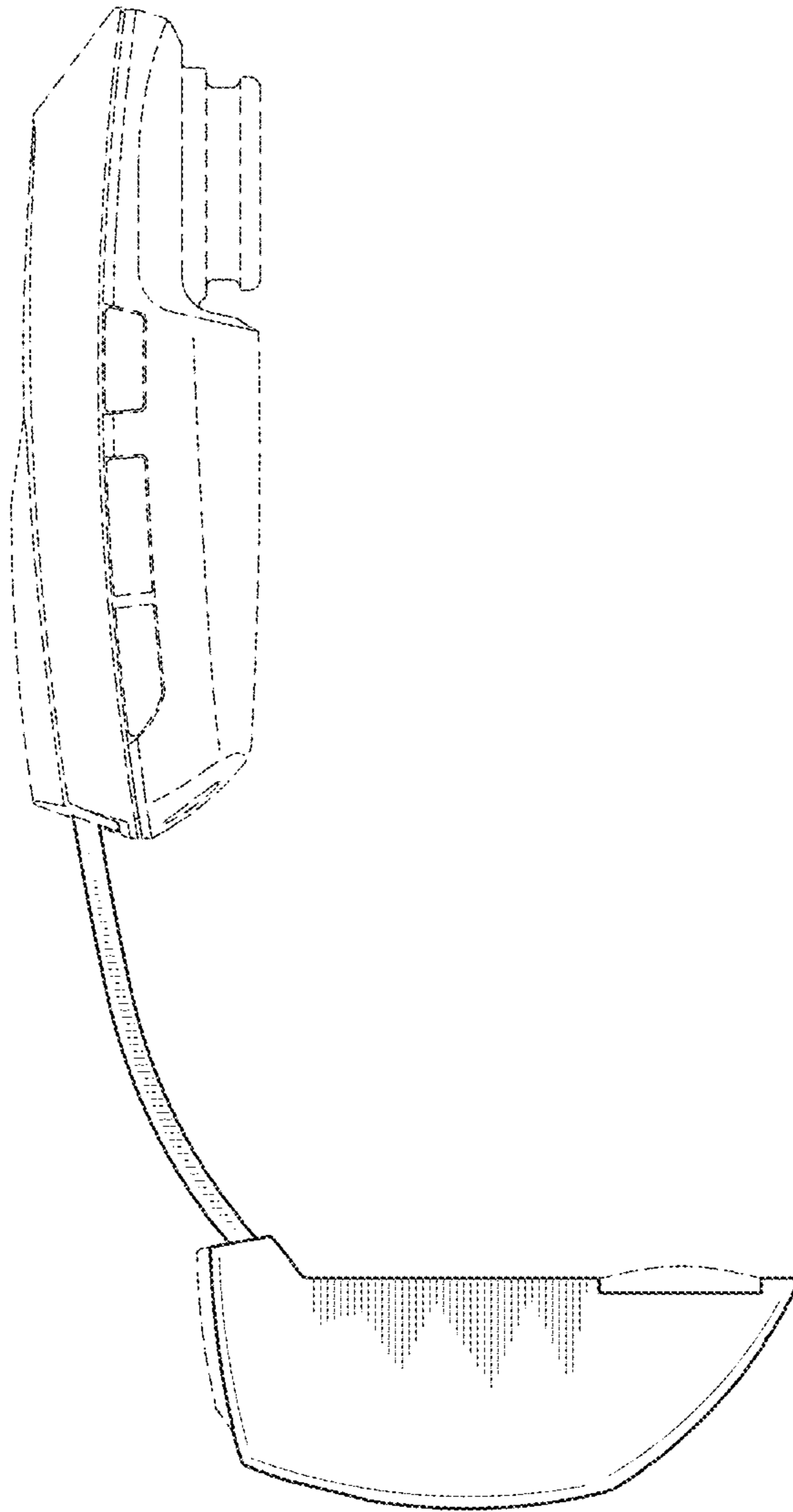


FIG. 2

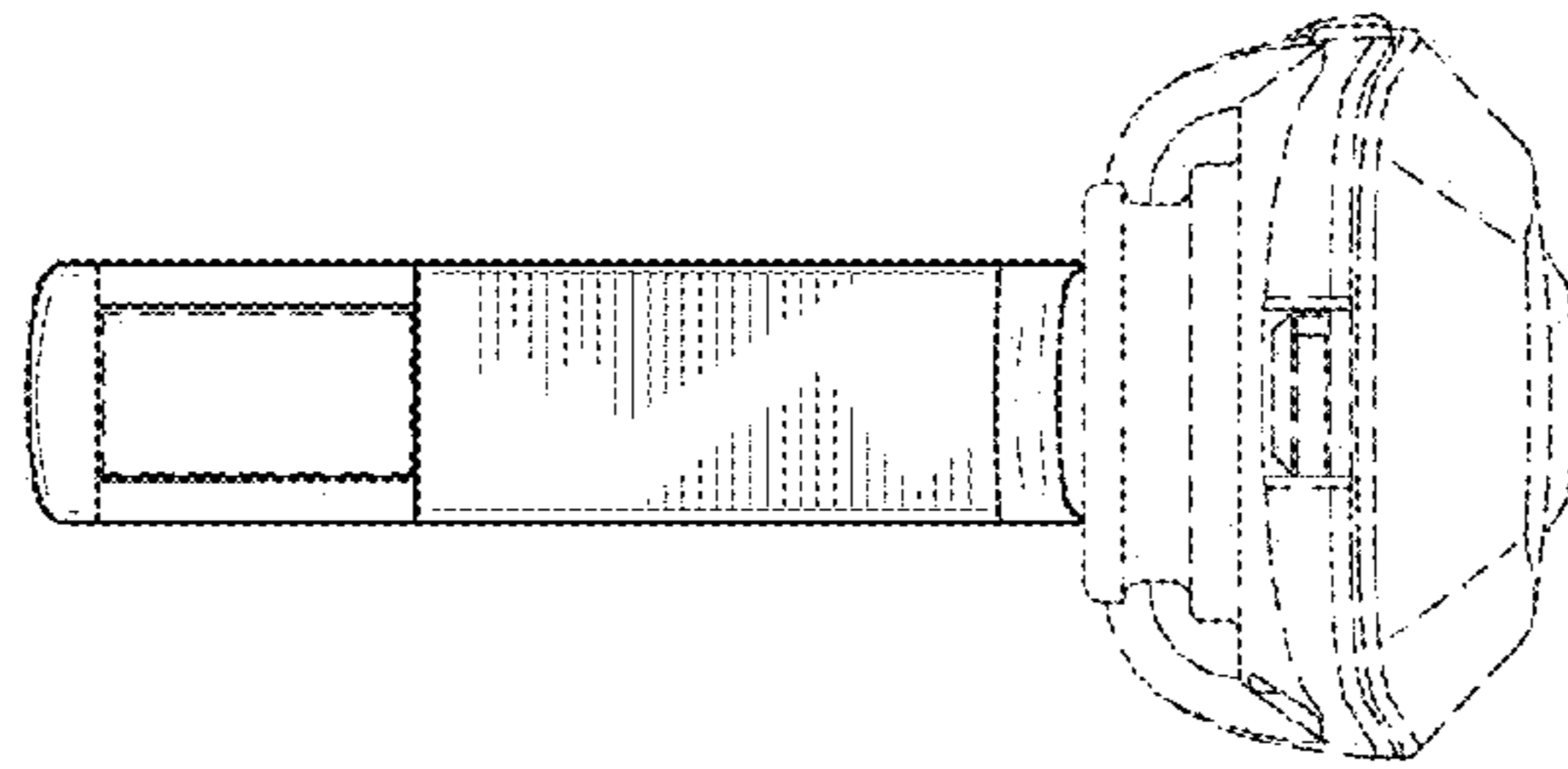


FIG. 3

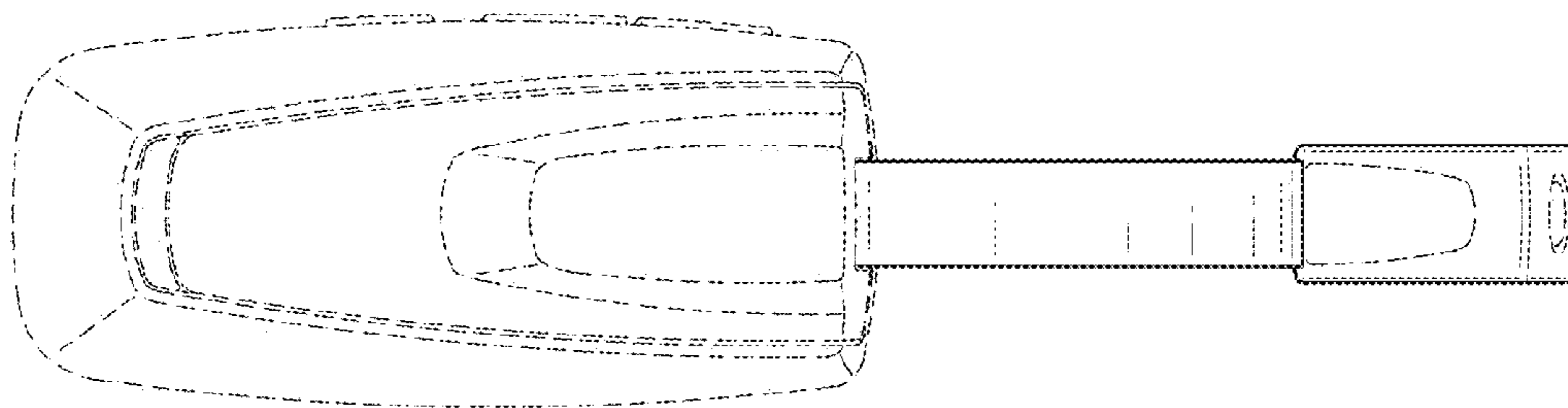


FIG. 4

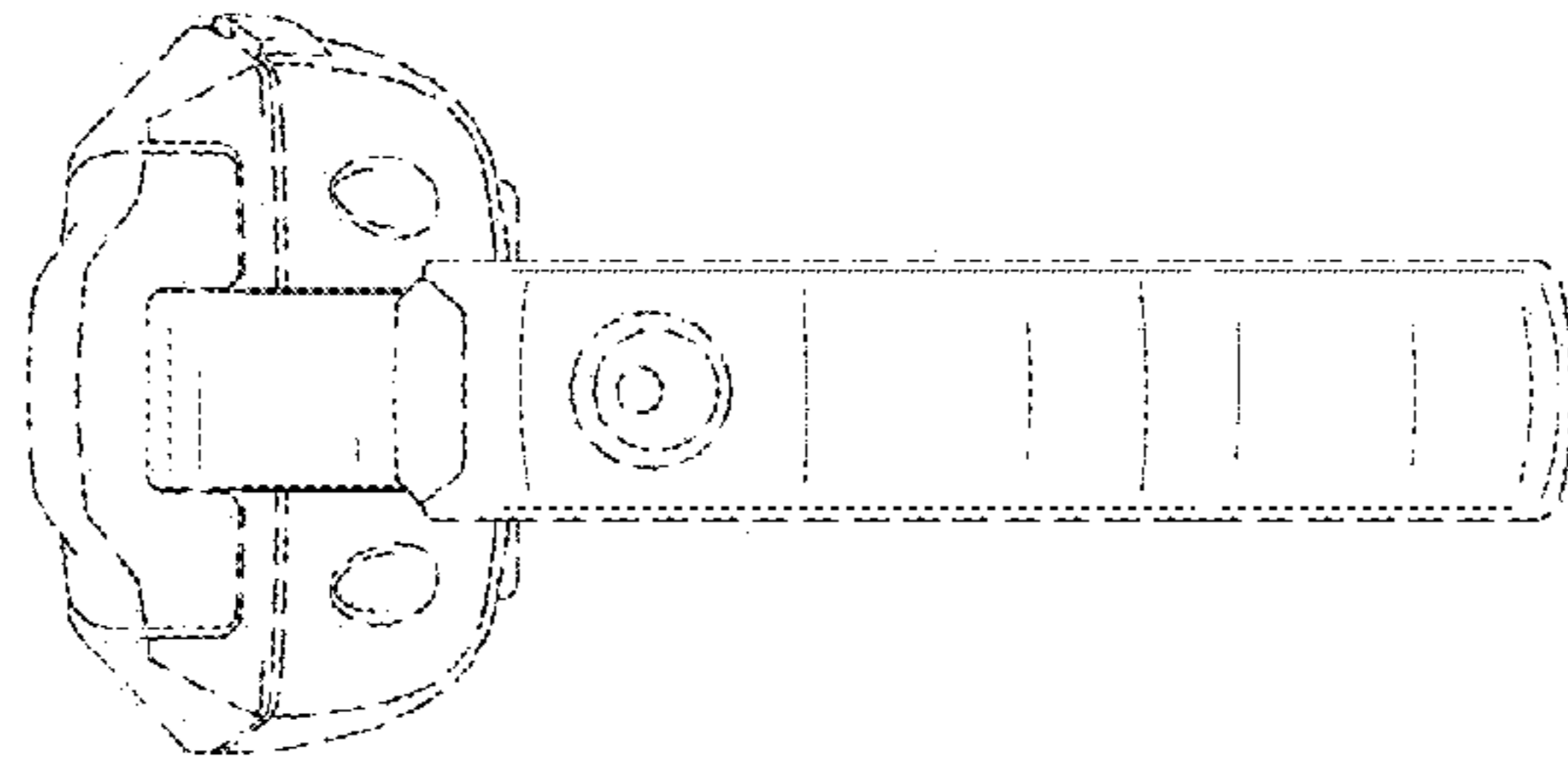


FIG. 5

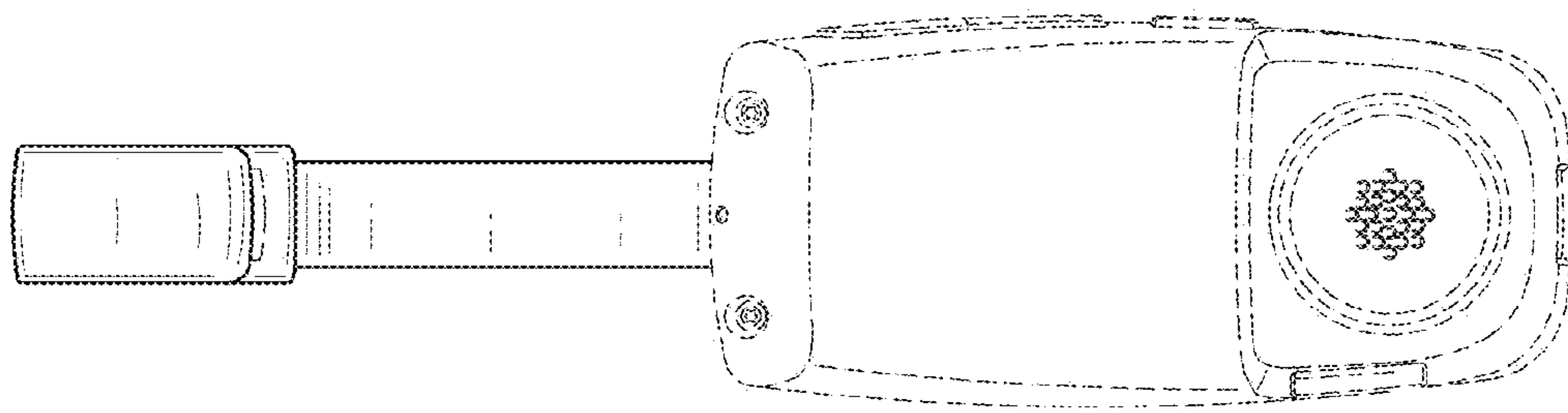


FIG. 6

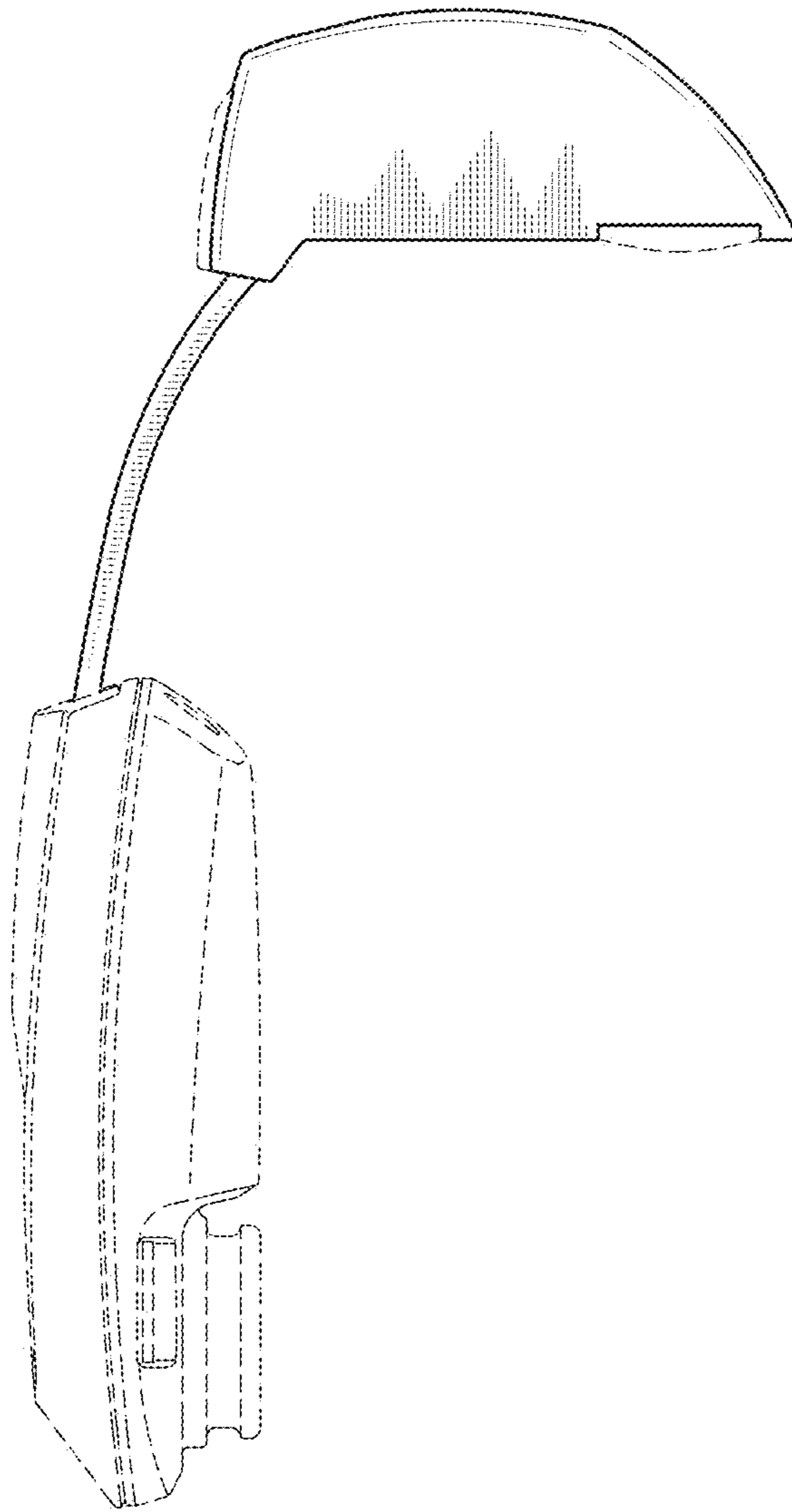


FIG. 7

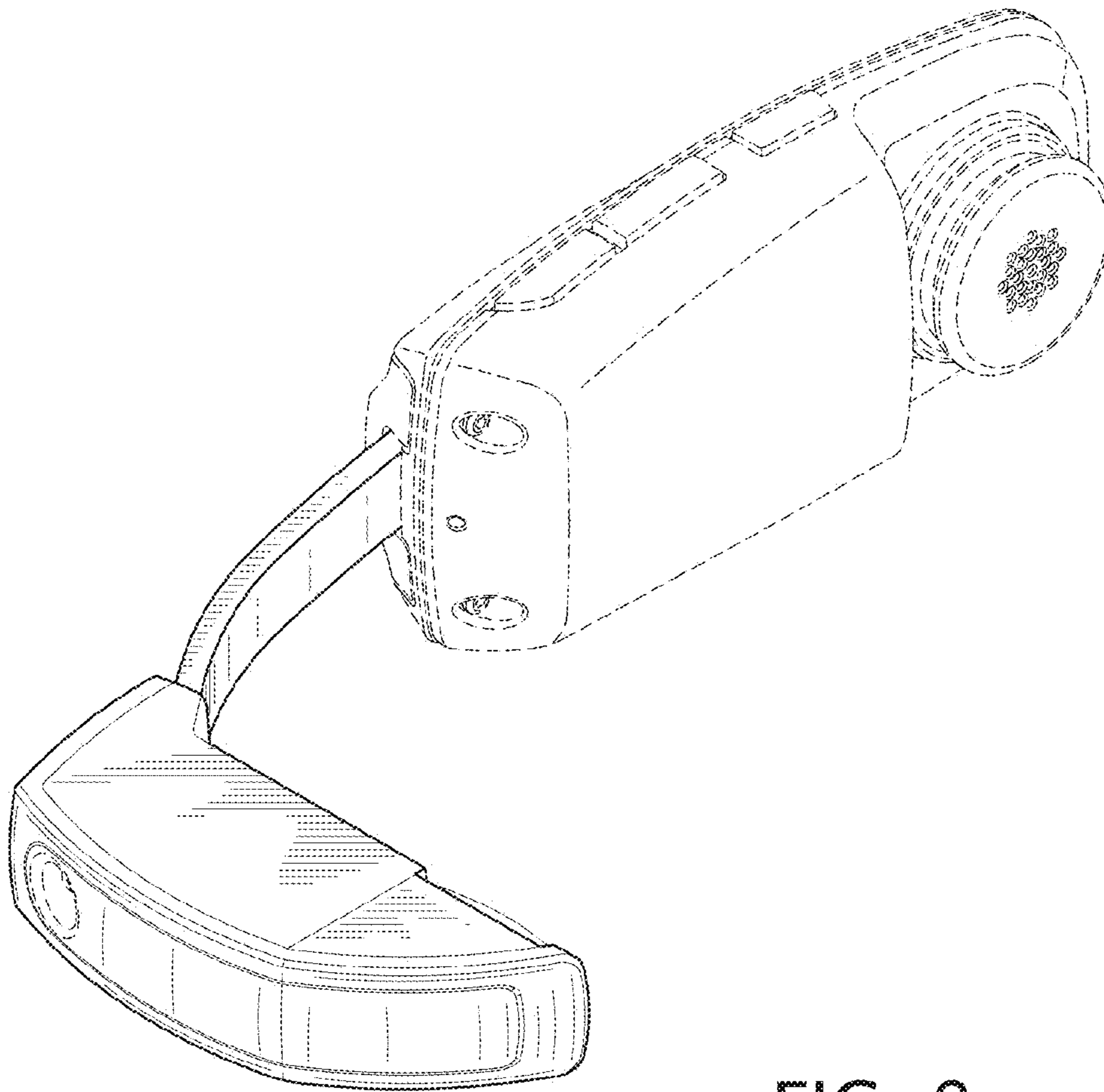


FIG. 8

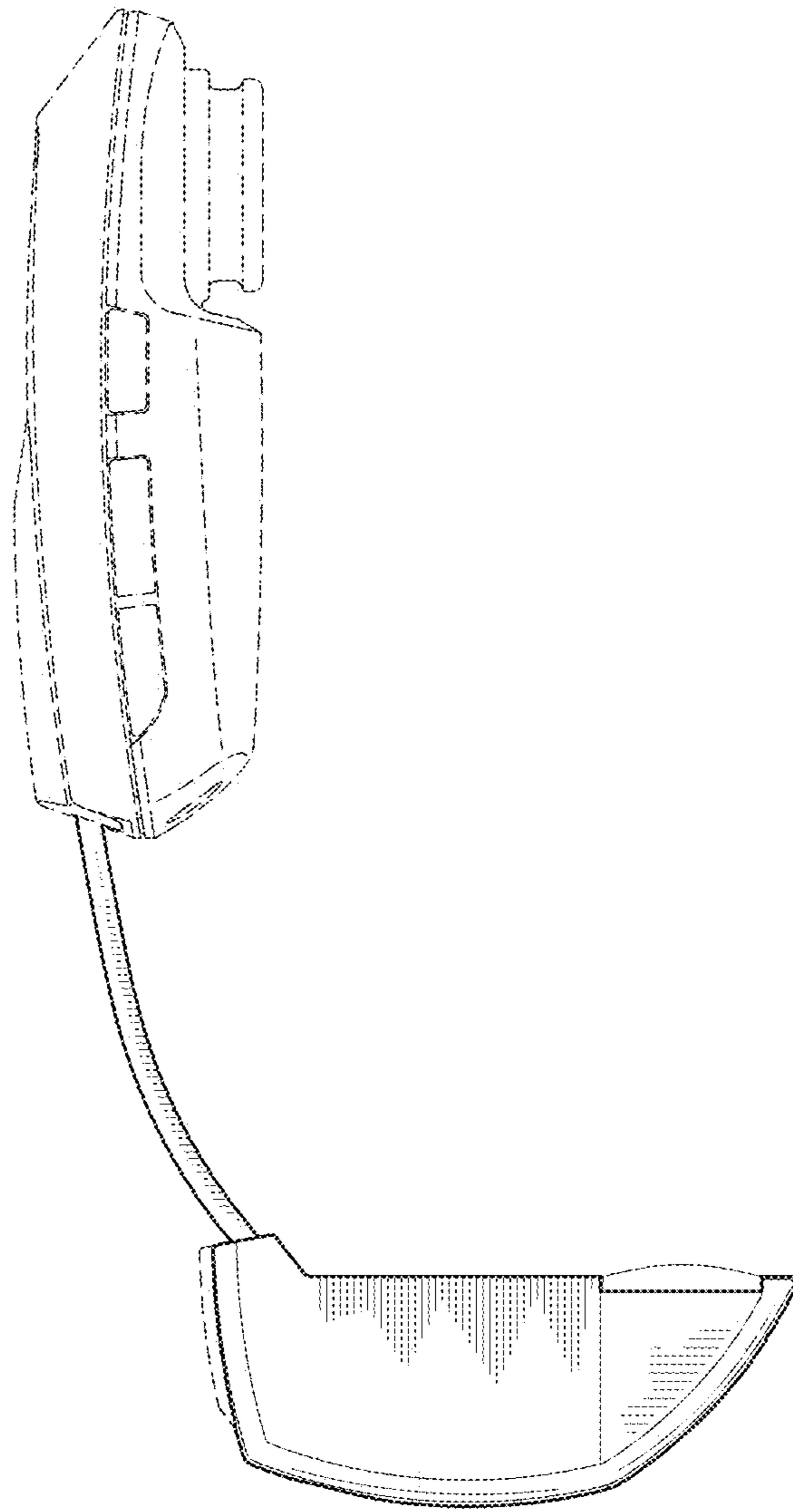


FIG. 9

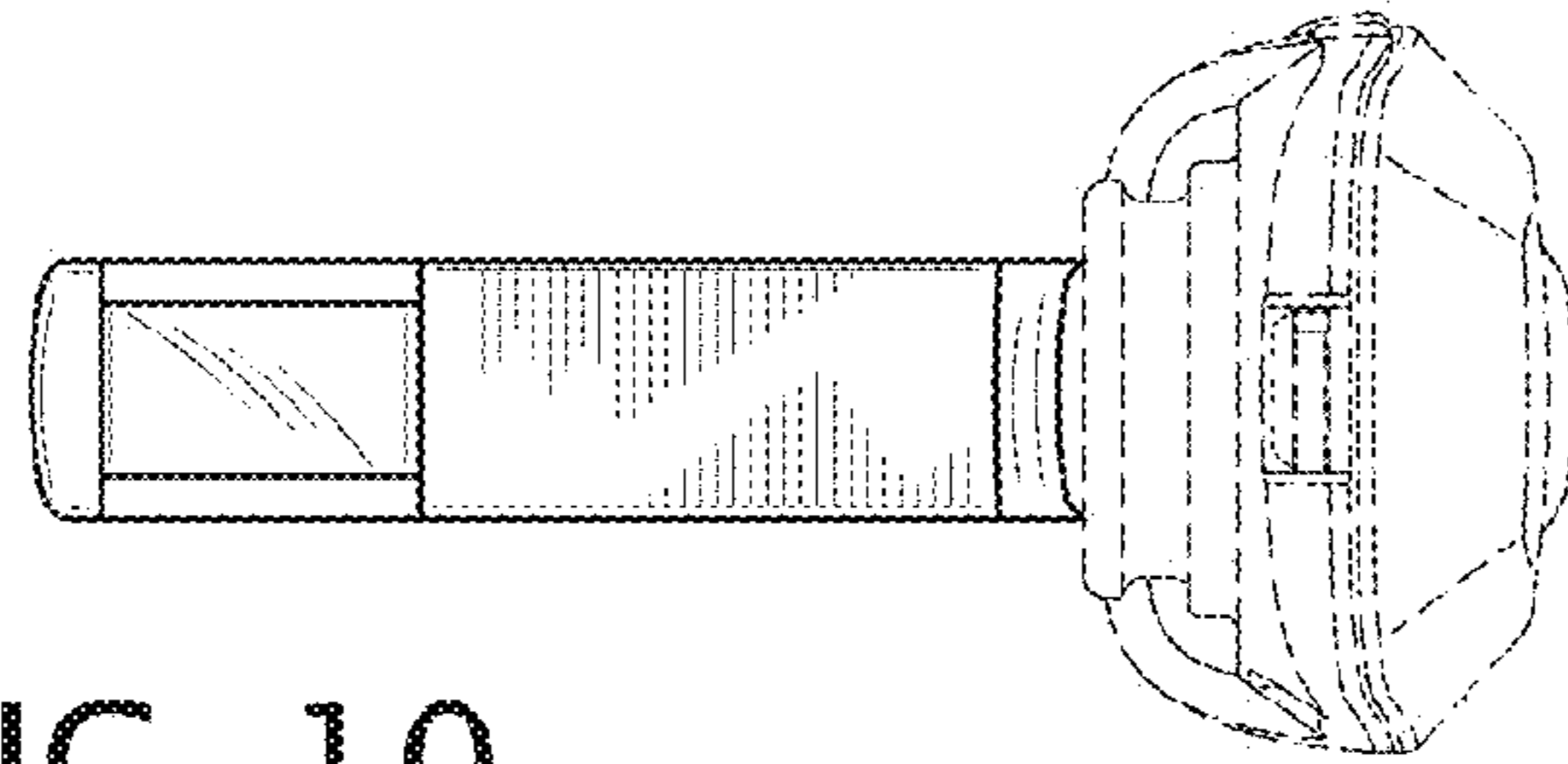


FIG. 10

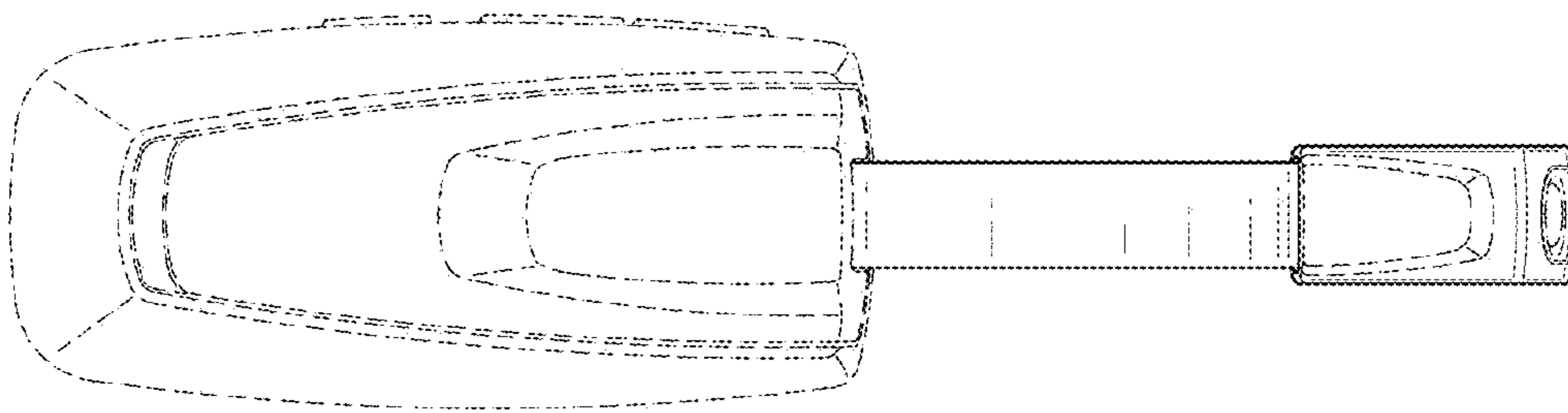


FIG. 11

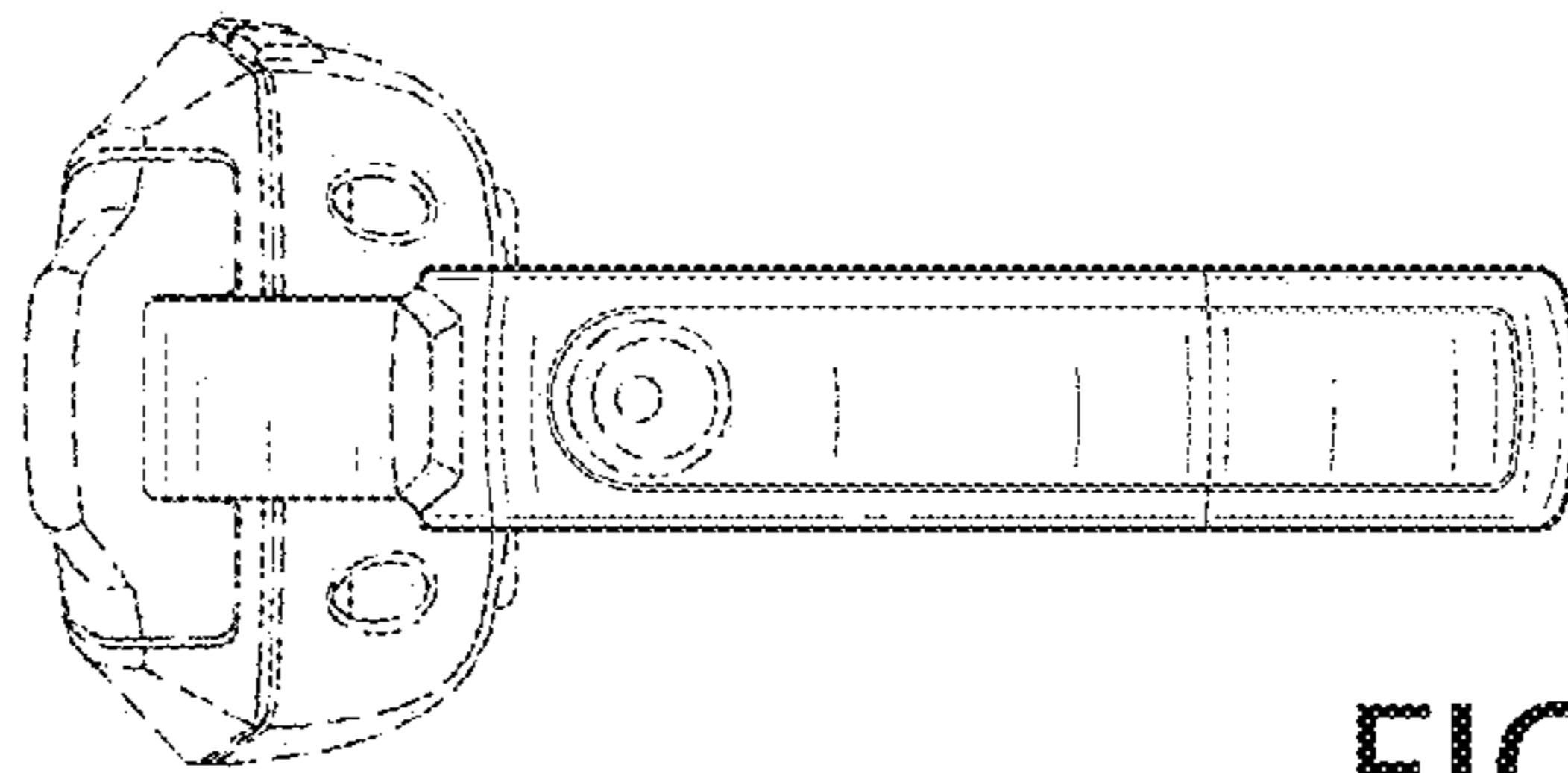


FIG. 12

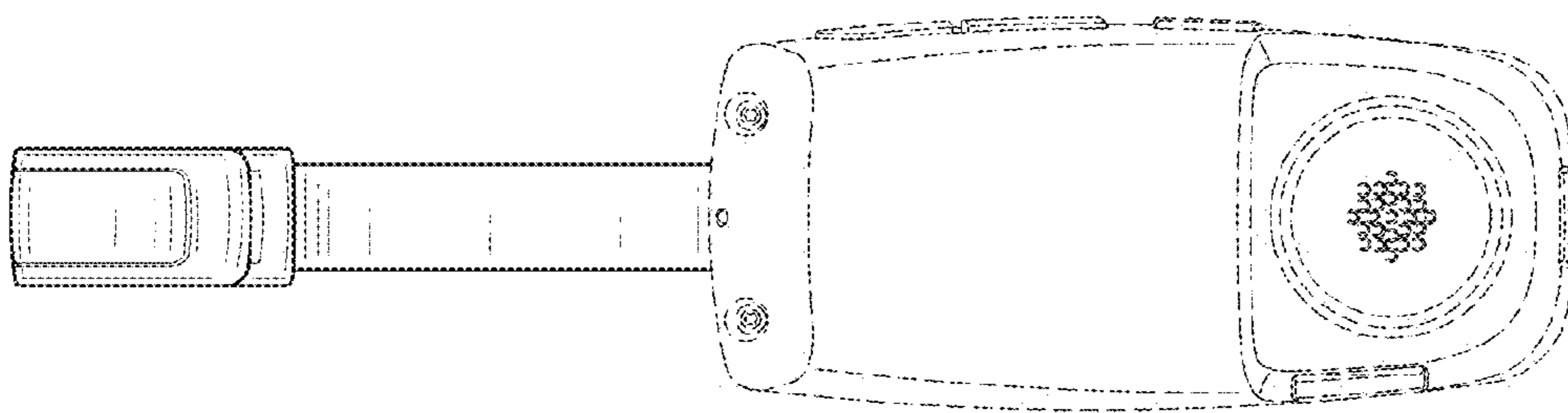


FIG. 13

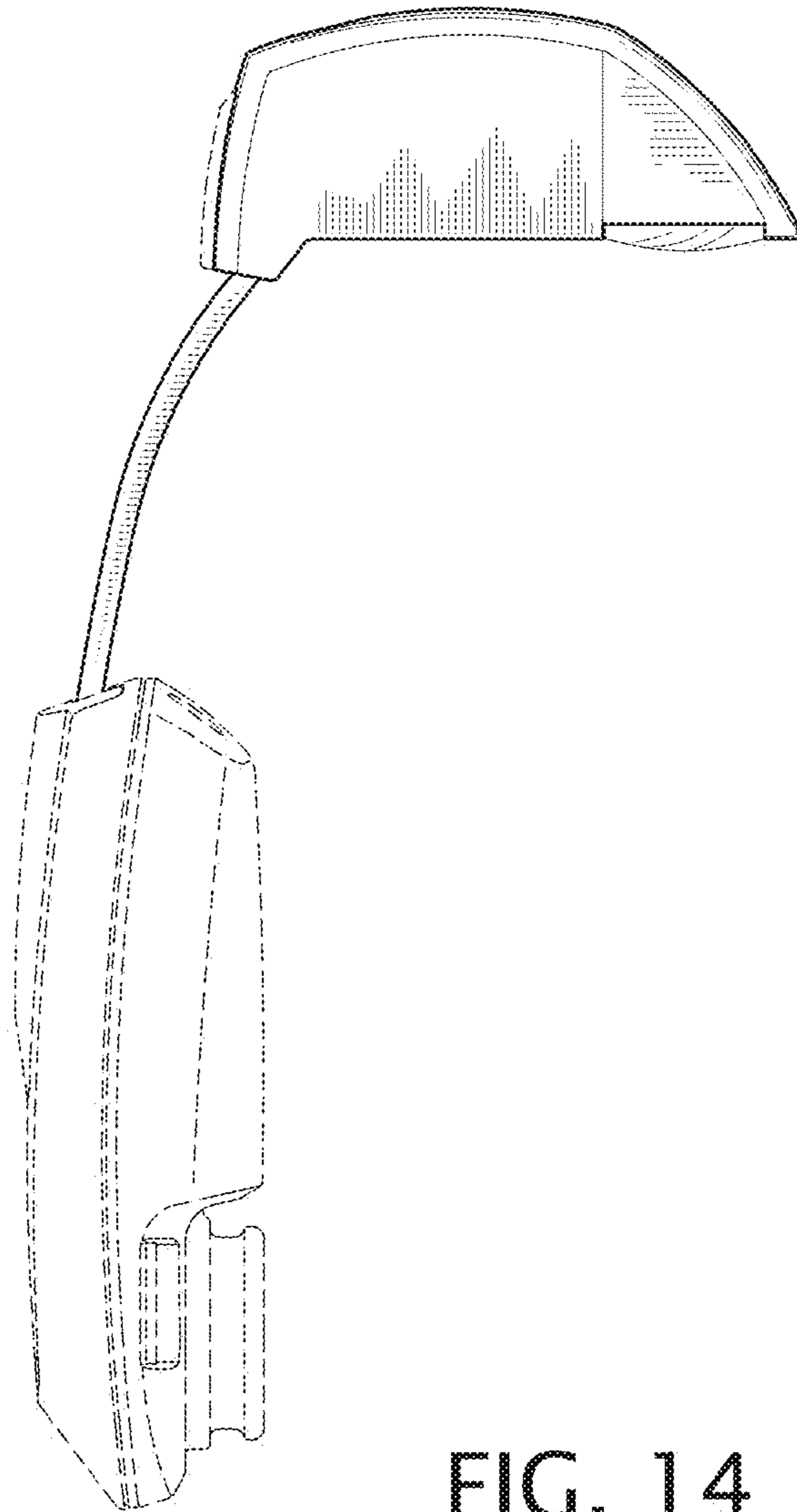


FIG. 14