



US00D726177S

(12) **United States Design Patent**
Lee et al.

(10) **Patent No.:** **US D726,177 S**
(45) **Date of Patent:** **** Apr. 7, 2015**

(54) **NOTEBOOK COMPUTER**

- (71) Applicant: **Samsung Electronics, Ltd**, Suwon-Si (KR)
- (72) Inventors: **Jooyeon Lee**, Gunposi (KR); **Kyu Eun Hwang**, Seoul (KR); **Whan Oh Sung**, Seoul (KR); **Youngkeun Lee**, Seoul (KR); **Jochen Backs**, San Francisco, CA (US)
- (73) Assignee: **Samsung Electronics Co., Ltd.**, Suwon-si (KR)

(**) Term: **14 Years**

(21) Appl. No.: **29/466,179**

(22) Filed: **Sep. 5, 2013**

(30) **Foreign Application Priority Data**

Mar. 5, 2013 (KR) 30-2013-0011218

(51) **LOC (10) Cl.** **14-02**

(52) **U.S. Cl.**
USPC **D14/315**

(58) **Field of Classification Search**
USPC D14/315-327, 331; D18/1, 2, 7, 11;
235/145 A, 145 R; 341/22, 23; 345/104,
345/156, 168, 169, 173; 361/679.08,
361/679.09, 679.11, 679.26, 679.27;
379/433.12; 16/341, 367

See application file for complete search history.

(56) **References Cited**

U.S. PATENT DOCUMENTS

6,519,139	B2 *	2/2003	Kambayashi	361/679.09
6,775,129	B1 *	8/2004	Ghosh et al.	361/679.27
D593,091	S *	5/2009	Behar et al.	D14/371
D624,911	S *	10/2010	Lee et al.	D14/315
8,289,688	B2 *	10/2012	Behar et al.	361/679.3
D679,705	S *	4/2013	McManigal et al.	D14/318
D687,031	S *	7/2013	Chen et al.	D14/327
2002/0003532	A1 *	1/2002	Huat	345/179
2007/0115618	A1 *	5/2007	Love	361/679
2009/0008163	A1 *	1/2009	Chikazawa et al.	178/19.01
2009/0244012	A1 *	10/2009	Behar et al.	345/169
2011/0157100	A1 *	6/2011	Hsieh et al.	345/179

* cited by examiner

Primary Examiner — Freda S Nunn
(74) *Attorney, Agent, or Firm* — NSIP Law

(57) **CLAIM**

The ornamental design for a notebook computer, as shown and described.

DESCRIPTION

FIG. 1 is a front perspective view of a notebook computer showing our new design;
FIG. 2 is a front view thereof;
FIG. 3 is a rear view thereof;
FIG. 4 is a left-side view thereof;
FIG. 5 is a right-side view thereof;
FIG. 6 is a top view thereof;
FIG. 7 is a bottom view thereof; and,
FIG. 8 is a rear perspective view thereof.
The short- dash-long-dash broken lines shown in the figures represent the bounds of the claimed design, while all other broken lines are directed to environment and form no part of the claimed design.

1 Claim, 8 Drawing Sheets

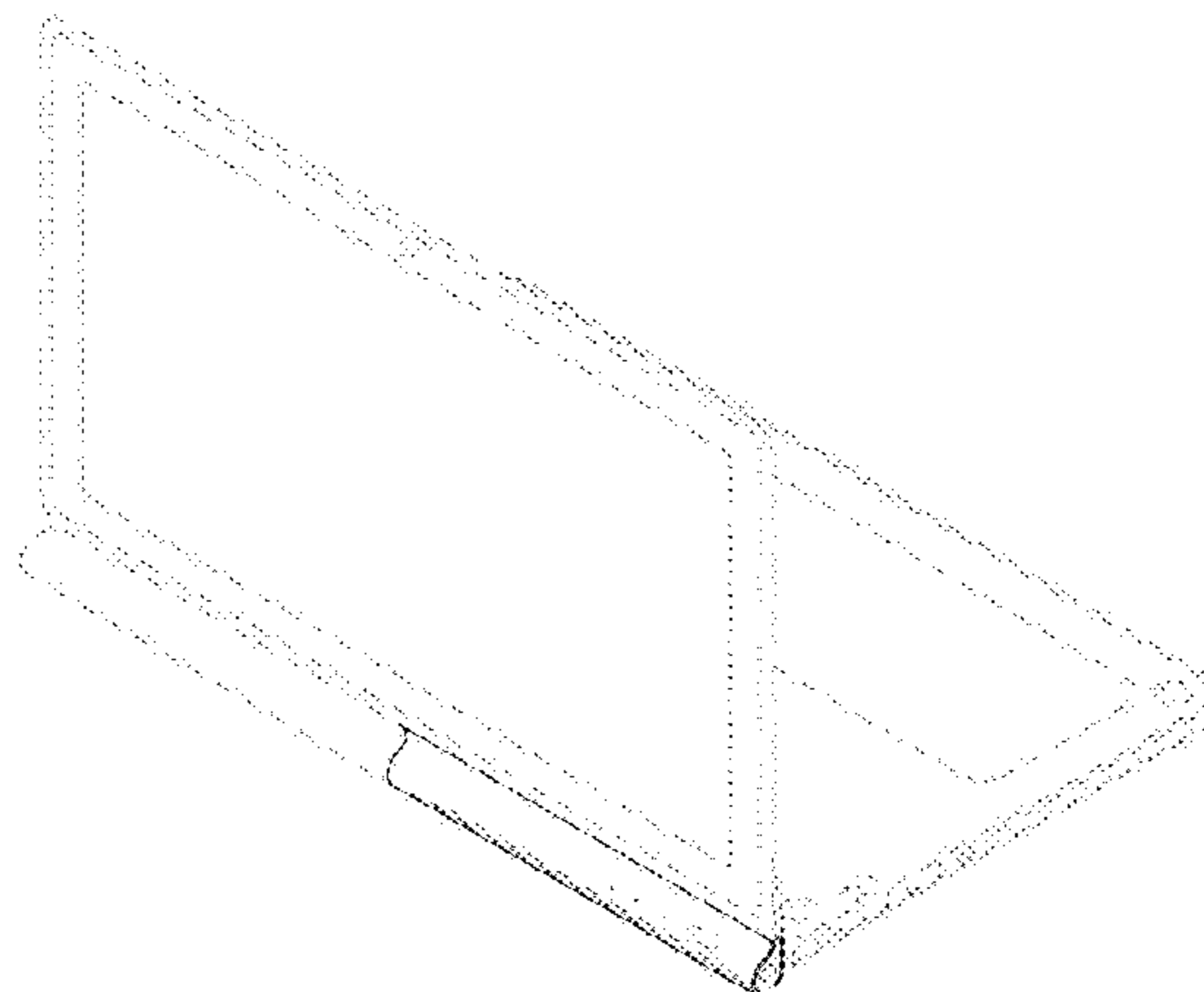
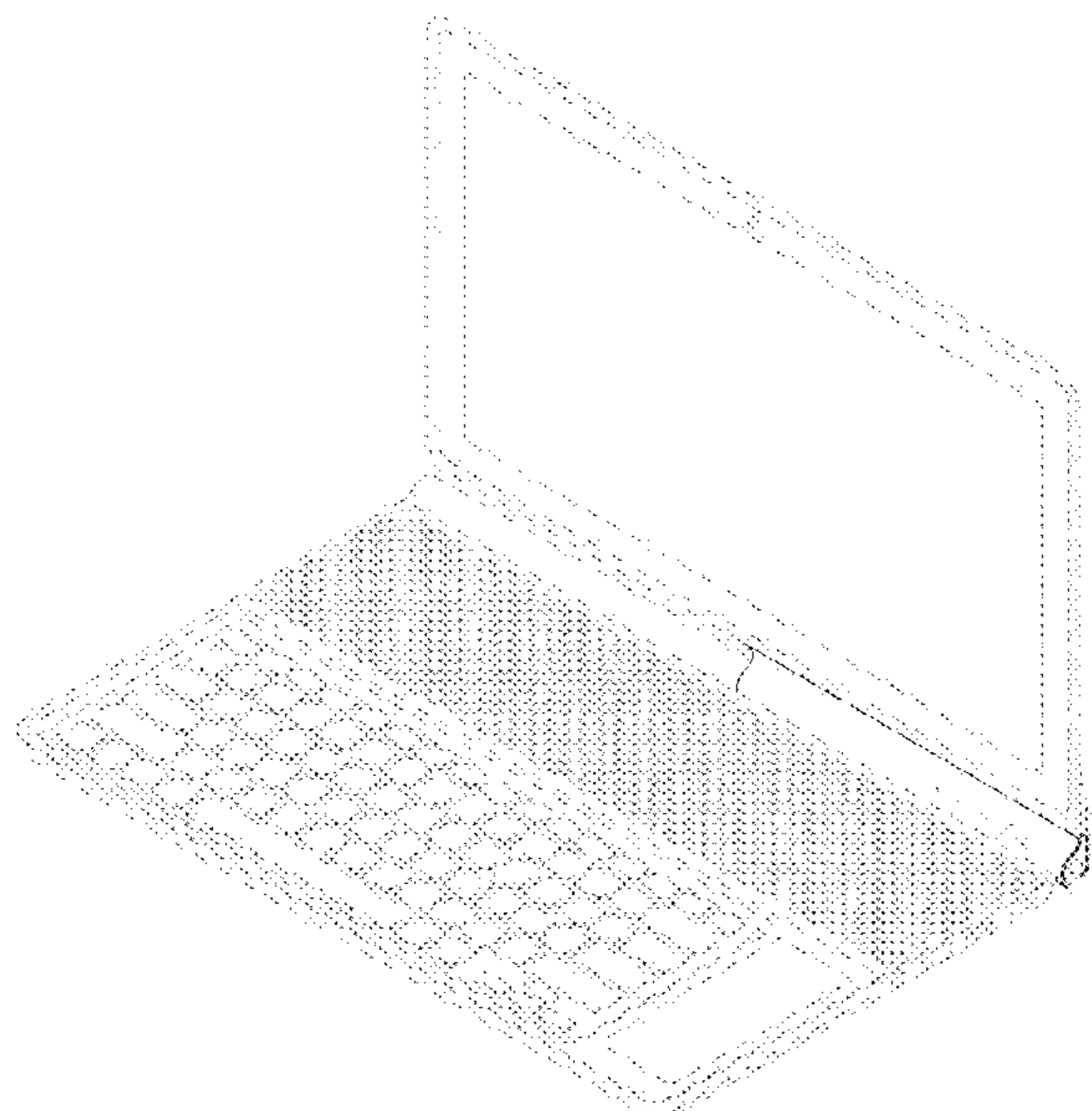


FIG. 1

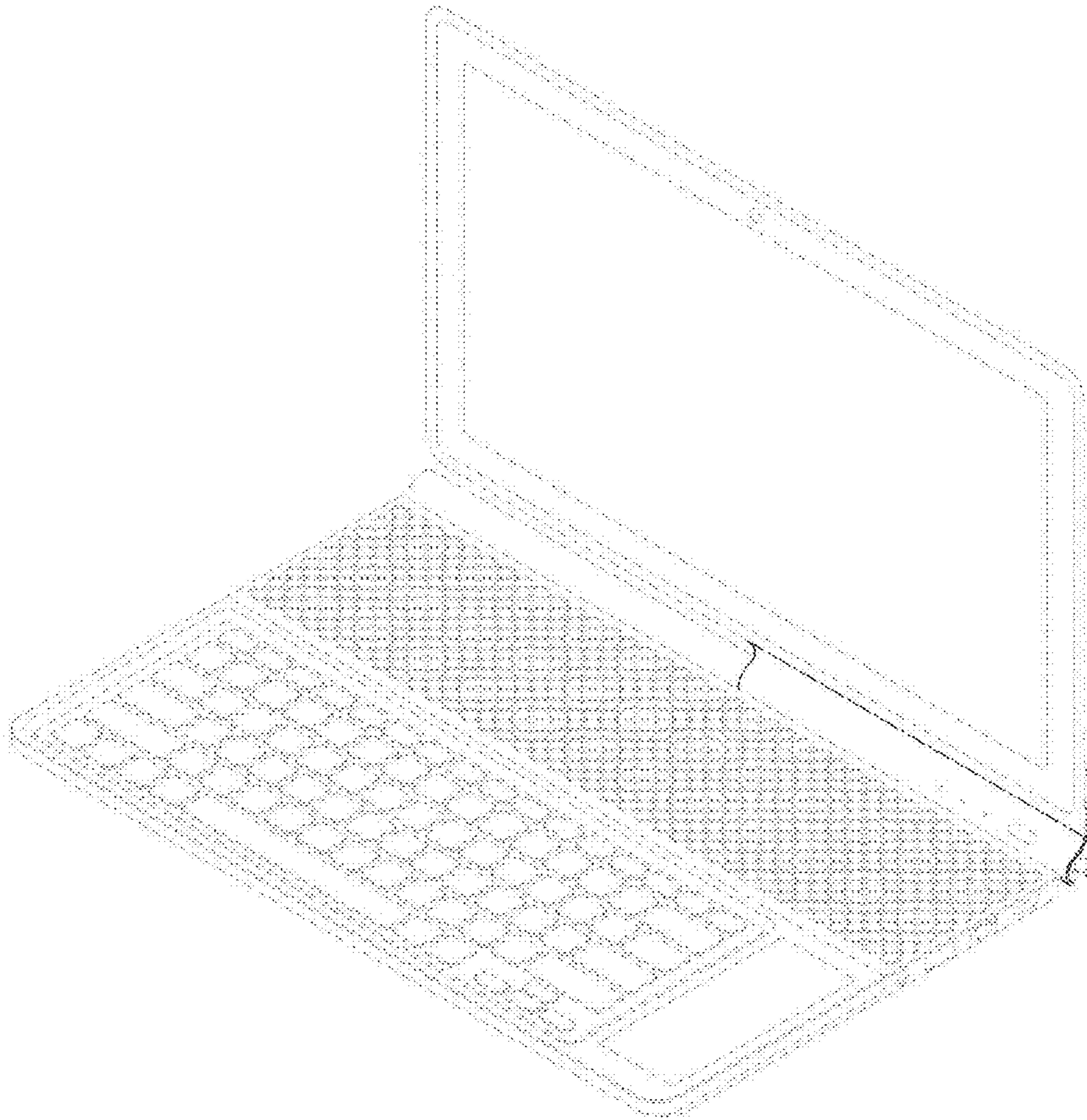


FIG. 2



FIG. 3

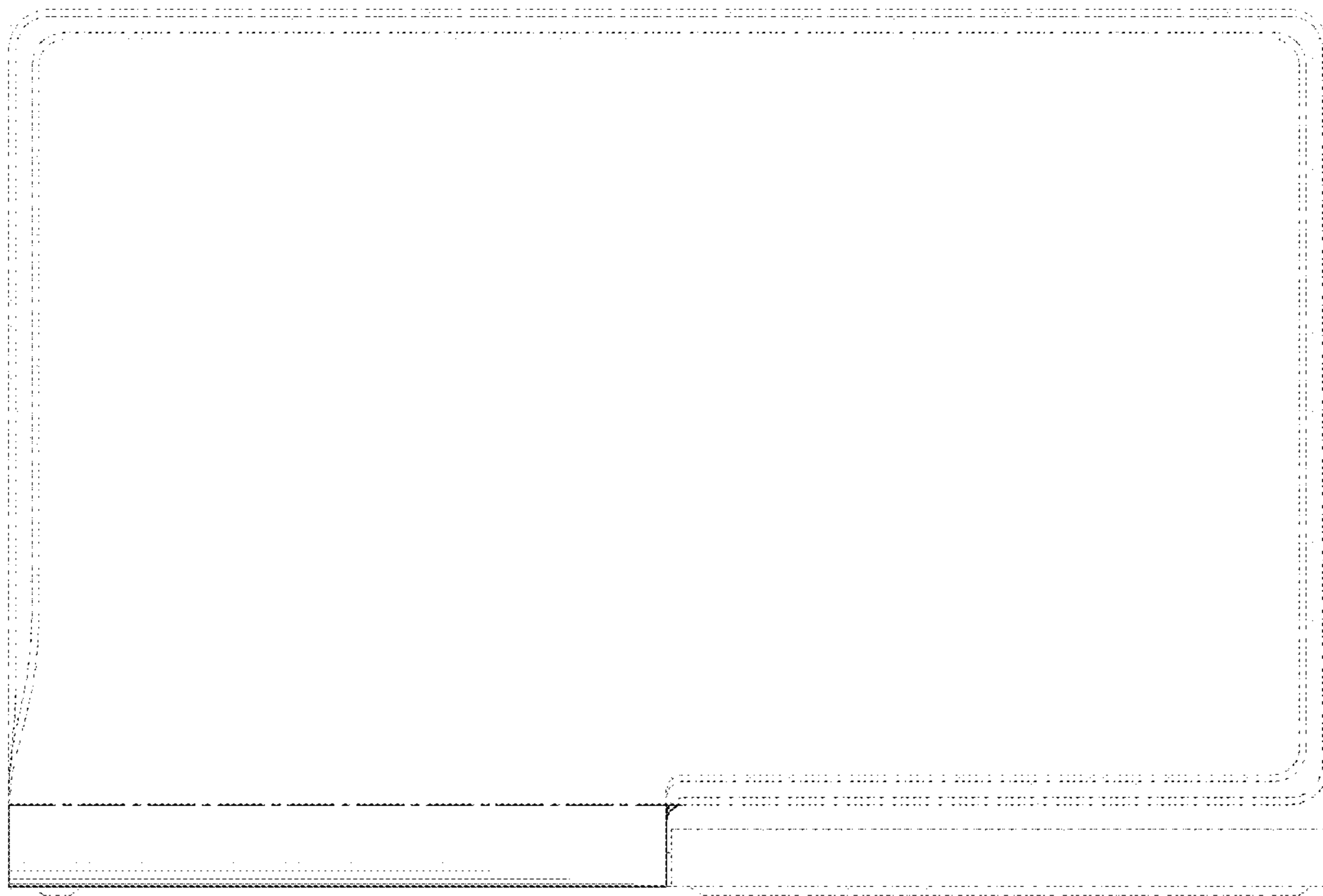


FIG. 4

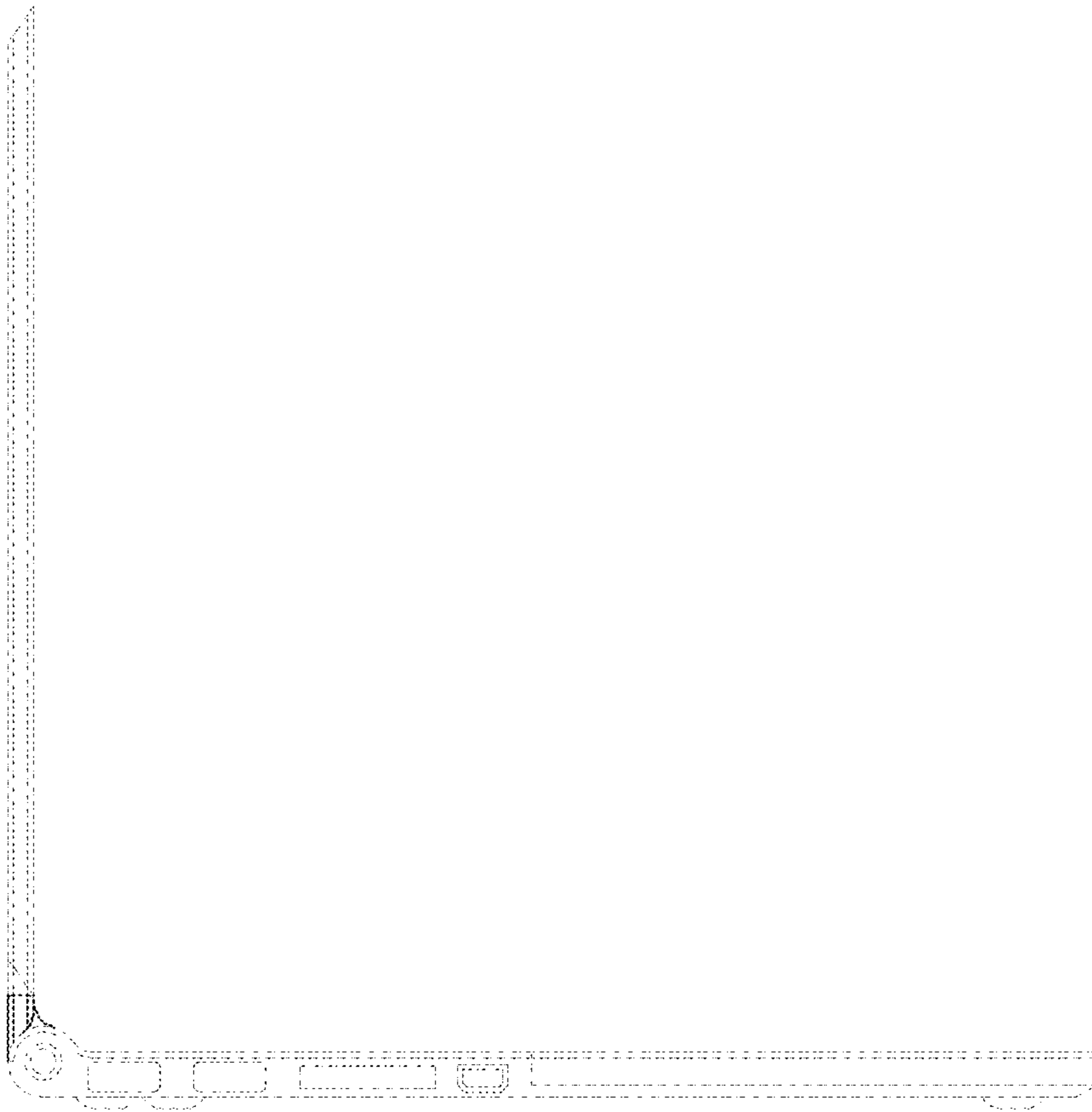


FIG. 5

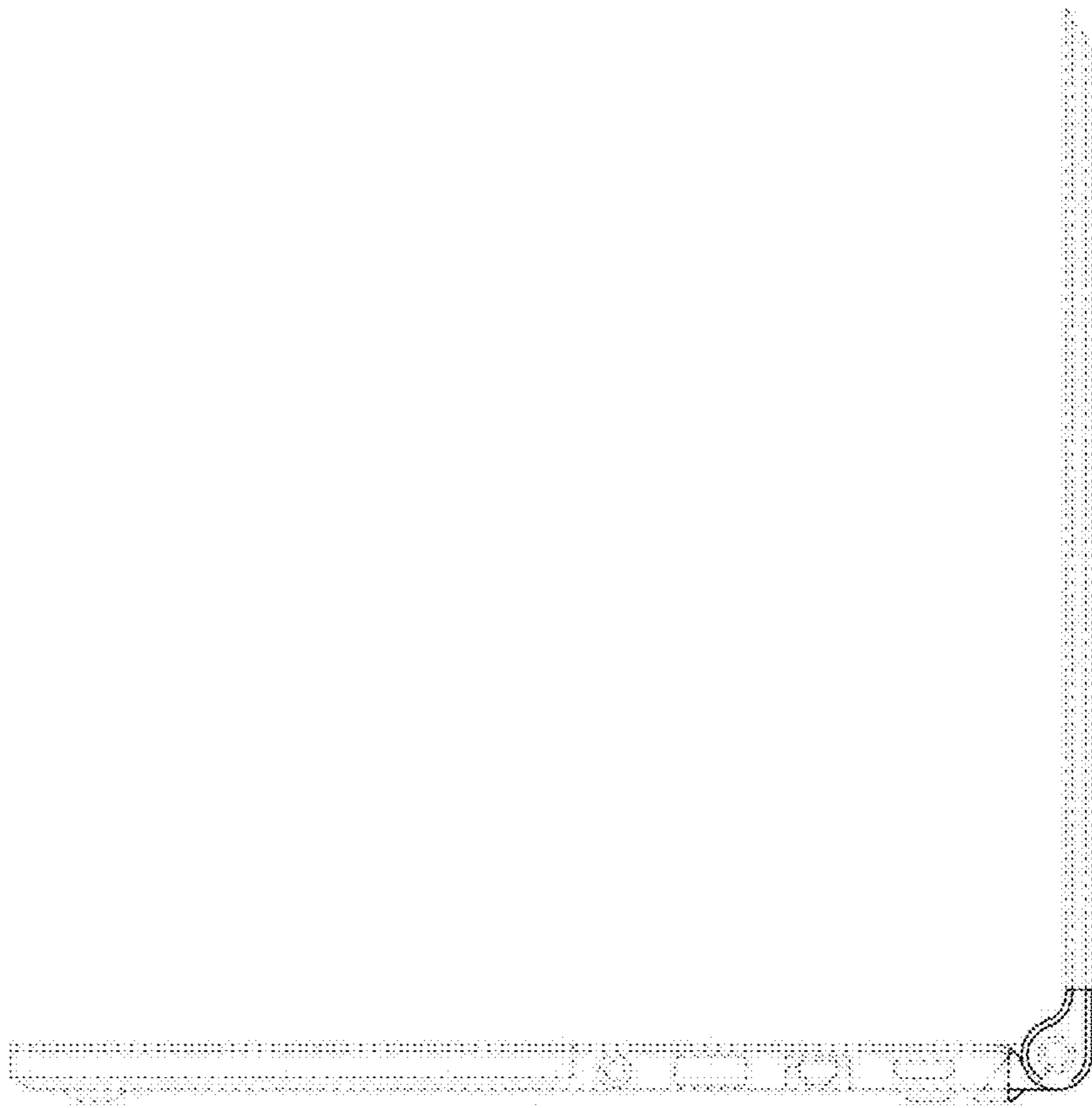


FIG. 6

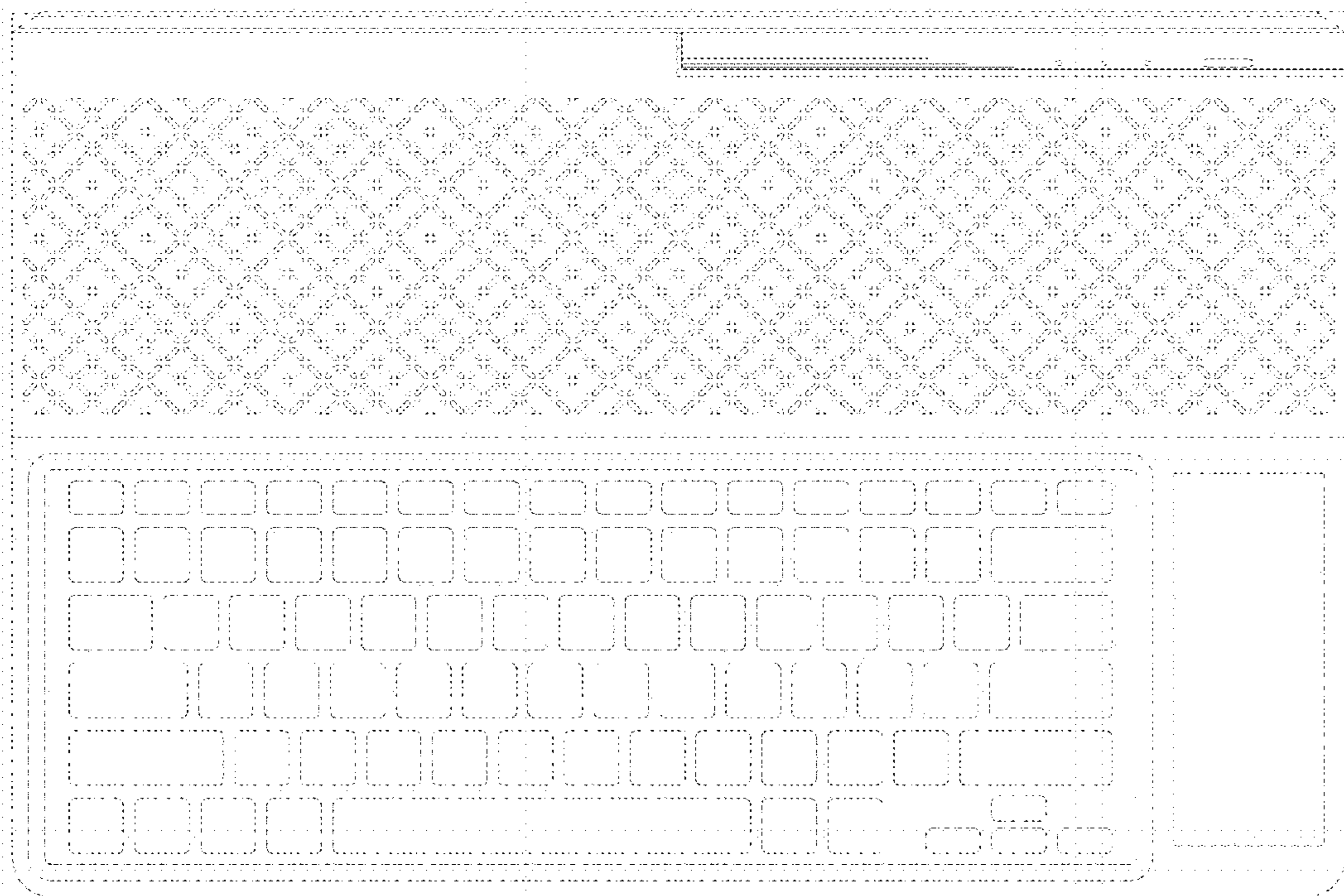


FIG. 7



FIG. 8

