



US00D726175S

(12) **United States Design Patent**
Tsai et al.

(10) **Patent No.:** **US D726,175 S**
(45) **Date of Patent:** **** Apr. 7, 2015**

(54) **MOBILE DEVICE VEHICLE MOUNT**

(71) Applicant: **Mophie, Inc.**, Tustin, CA (US)

(72) Inventors: **Denny Tsai**, Temple City, CA (US);
Hien Nguyen, Westminster, CA (US);
Helen Qin, Irvine, CA (US); **Ken Ma**,
Shenzhen (CN)

(73) Assignee: **Mophie, Inc.**, Tustin, CA (US)

(**) Term: **14 Years**

(21) Appl. No.: **29/441,684**

(22) Filed: **Jan. 8, 2013**

(51) **LOC (10) Cl.** **14-03**

(52) **U.S. Cl.**

USPC **D14/253**; D12/415

(58) **Field of Classification Search**

USPC D14/137, 140, 140.8, 142, 204, 209.1,
D14/217, 221, 243-256, 434, 440, 444-447,
D14/238.1; D8/400-404, 499; D2/861;
D3/215, 218, 304, 269; D6/467, 300,
D6/310, 553-574; D25/318; 292/342, 343;
248/188.2; 348/373, 376; D12/415,
D12/411, 416, 422; D19/87, 90; D10/74;
455/573, 575.1, 575.9

See application file for complete search history.

(56) **References Cited**

U.S. PATENT DOCUMENTS

D277,662 S 2/1985 Huntington et al.
5,039,929 A 8/1991 Veistroffer et al.
D345,728 S 4/1994 Tyneski et al.
D350,540 S 9/1994 Hyvonen
D361,069 S 8/1995 Hellier et al.
D369,344 S 4/1996 Lindeman et al.
D411,544 S * 6/1999 Richter D14/253

D413,097 S 8/1999 Chang
5,946,637 A 8/1999 Umbach et al.
D413,607 S * 9/1999 Lindahl D14/253
D442,939 S 5/2001 Goldenburg
D458,266 S 6/2002 Herath
D460,446 S 7/2002 Hughes et al.

(Continued)

FOREIGN PATENT DOCUMENTS

KR 10-2004-0093848 11/2004

OTHER PUBLICATIONS

International Search Report and Written Opinion of the International
Searching Authority for PCT/US2012/020370, dated May 29, 2012.

(Continued)

Primary Examiner — Susan Bennett Hattan

Assistant Examiner — Janice Hallmark

(74) *Attorney, Agent, or Firm* — Knobbe Martens Olson &
Bear LLP

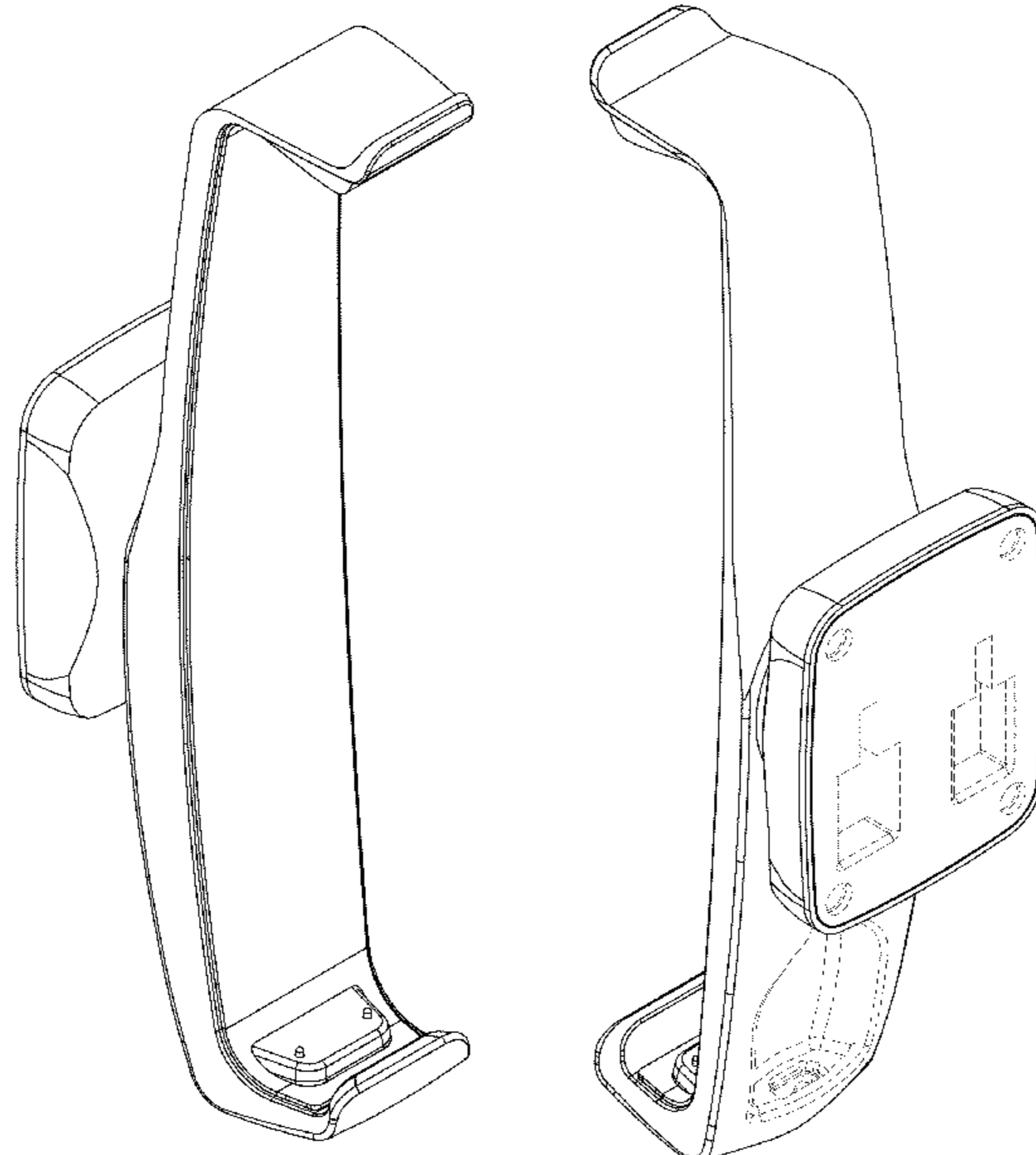
(57) **CLAIM**

The ornamental design for a mobile device vehicle mount, as
shown and described.

DESCRIPTION

FIG. 1 is a front view of the mobile device vehicle mount;
FIG. 2 is a rear view of the mobile device vehicle mount;
FIG. 3 is a top view of the mobile device vehicle mount;
FIG. 4 is a bottom view of the mobile device vehicle mount;
FIG. 5 is a left view of the mobile device vehicle mount;
FIG. 6 is a right view of the mobile device vehicle mount;
FIG. 7 is a perspective view of the mobile device vehicle
mount; and,
FIG. 8 is a reverse perspective view of the mobile device
vehicle mount.

1 Claim, 8 Drawing Sheets



(56)

References Cited

U.S. PATENT DOCUMENTS

D463,361 S 9/2002 Ruohonen
 D501,205 S 1/2005 Quinn
 D520,447 S 5/2006 Liu
 D533,499 S 12/2006 Suzuki
 D535,614 S 1/2007 Majanen et al.
 7,158,092 B2* 1/2007 Shen 343/878
 D545,614 S 7/2007 Kim
 D566,590 S* 4/2008 Stevens et al. D10/74
 D585,897 S 2/2009 Carnevali
 7,492,579 B2 2/2009 Homer et al.
 D592,188 S 5/2009 Huang
 7,542,052 B2 6/2009 Solomon et al.
 D602,913 S 10/2009 Han et al.
 D605,588 S 12/2009 Nomi et al.
 D608,350 S 1/2010 Bo
 D614,613 S* 4/2010 Kim et al. D14/253
 D620,931 S 8/2010 Opman
 D623,132 S 9/2010 Yano
 D623,638 S 9/2010 Richardson et al.
 D623,639 S 9/2010 Richardson et al.
 D625,729 S 10/2010 McNames et al.
 D626,439 S* 11/2010 Lee et al. D10/74
 D626,541 S* 11/2010 Kim et al. D14/253
 D626,964 S 11/2010 Richardson et al.
 D629,315 S* 12/2010 McAlpine et al. D10/74
 D629,355 S 12/2010 Bodley et al.
 D634,304 S 3/2011 Andre et al.
 D638,414 S 5/2011 Magness et al.
 D639,286 S 6/2011 Mohoney
 D639,816 S 6/2011 Bau
 D640,707 S 6/2011 Yeh
 D643,030 S* 8/2011 Cheng et al. D14/253
 D643,423 S 8/2011 Smith et al.
 D643,433 S 8/2011 Hsieh et al.
 D645,033 S* 9/2011 Quong et al. D14/253
 D647,907 S 11/2011 Perry et al.
 D648,339 S 11/2011 O'Neil et al.
 D656,930 S 4/2012 Son
 D657,741 S 4/2012 Fahrendorff et al.
 D660,794 S 5/2012 Fahrendorff et al.
 D662,470 S 6/2012 Smith et al.

D670,703 S 11/2012 Hasbrook et al.
 8,369,082 B2 2/2013 Madonna et al.
 D682,780 S 5/2013 Brown
 D685,321 S 7/2013 Smith et al.
 D690,707 S* 10/2013 Minn et al. D14/447
 D696,241 S* 12/2013 Paugh et al. D14/253
 8,616,327 B1* 12/2013 Palacios 181/175
 8,724,837 B2 5/2014 Crooijmans et al.
 D707,673 S* 6/2014 Lan D14/253
 2006/0221565 A1 10/2006 Doherty et al.
 2009/0160399 A1 6/2009 Woud
 2009/0160400 A1 6/2009 Woud
 2010/0078343 A1 4/2010 Hoellwarth et al.
 2012/0170212 A1 7/2012 Gallouzi et al.
 2012/0194132 A1 8/2012 Ikegame

OTHER PUBLICATIONS

International Preliminary Report on Patentability for PCT/US2012/020370, dated Jul. 10, 2013.
 Nick Guy, "RND Power Solutions Sync & Charge Dock with Lightning Connector", dated Nov. 18, 2013, <http://www.ilounge.com/index.php/reviews/entry/tylt-energi-sl>.
 U.S. Appl. No. 29/438,896, filed Dec. 4, 2012, Denny Tsai.
 U.S. Appl. No. 29/438,221, filed Nov. 27, 2012, Denny Tsai.
 U.S. Appl. No. 29/441,683, filed Jan. 8, 2013, Nguyen et al.
 U.S. Appl. No. 29/478,241, filed Jan. 2, 2014, Denny Tsai.
 Nick Guy, "RND Power Solutions Sync & Charge Dock with Lightning Connector", dated Nov. 25, 2013, <http://www.ilounge.com/index.php/reviews/entry/rnd-power-solutions-sync-charge-dock-with-lightning-connector/>.
 Julie Strietelmeier, "Seidio INNODock Desktop Cradle for Treo 650," dated Jul. 28, 2005, http://the-gadgeteer.com/2005/07/28/seidio_innodock_desktop_cradle_for_treo_650/.
 Altec Lansing Octiv Stage MP450 Review, dated Dec. 8, 2010, <http://www.cnet.com/products/alttec-lansing-octiv-stage-mp450/>.
 Mophie Unveils All-Aluminum PowerStand for iPad, dated Jan. 4, 2011, <http://www.intomobile.com/2011/01/04/mophie-powerstand-swivels-charges-ipad/>.
 Mophie PowerStand for iPad (Video), dated Jan. 4, 2011, <http://www.gottabemobile.com/2011/01/04/mophie-powerstand-for-ipad-video/>.

* cited by examiner

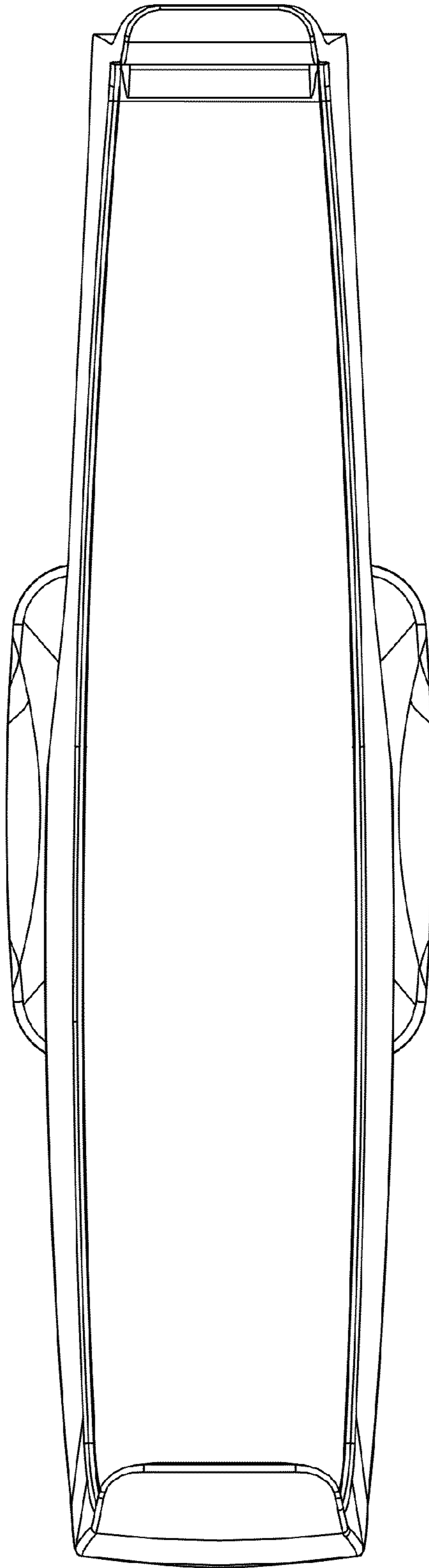


FIGURE 1

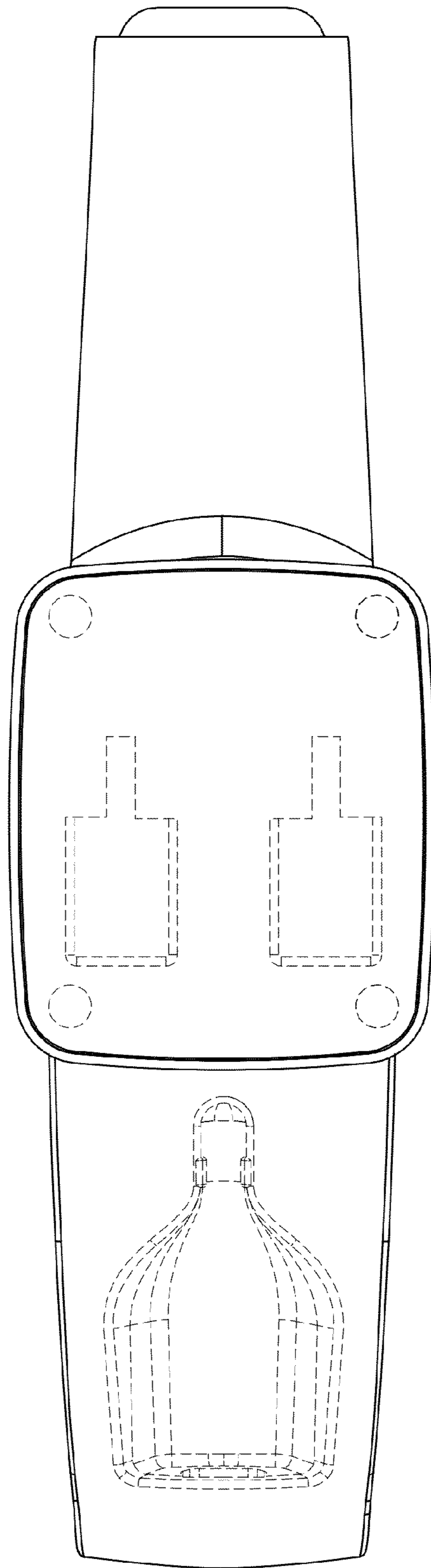


FIGURE 2

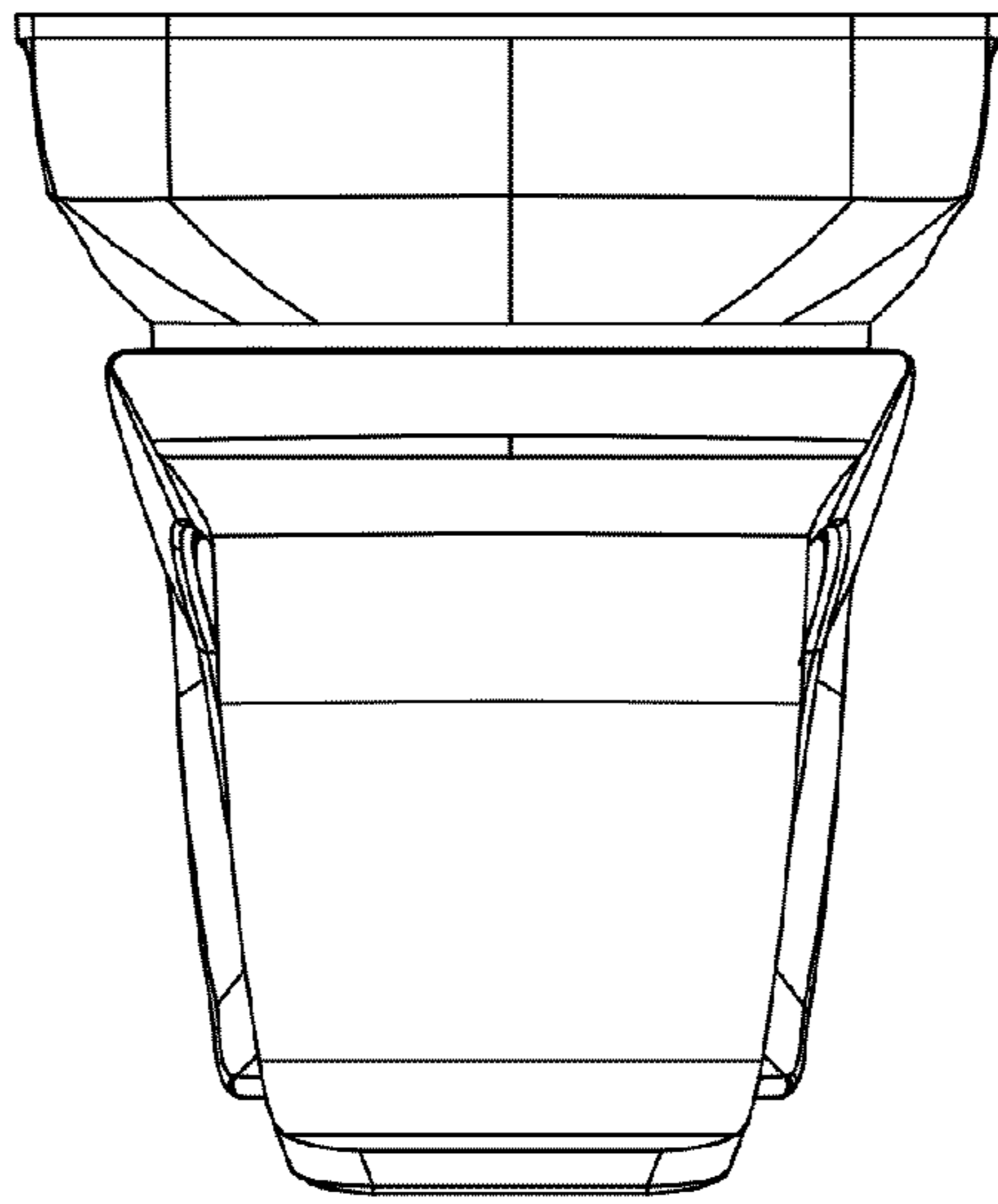


FIGURE 3

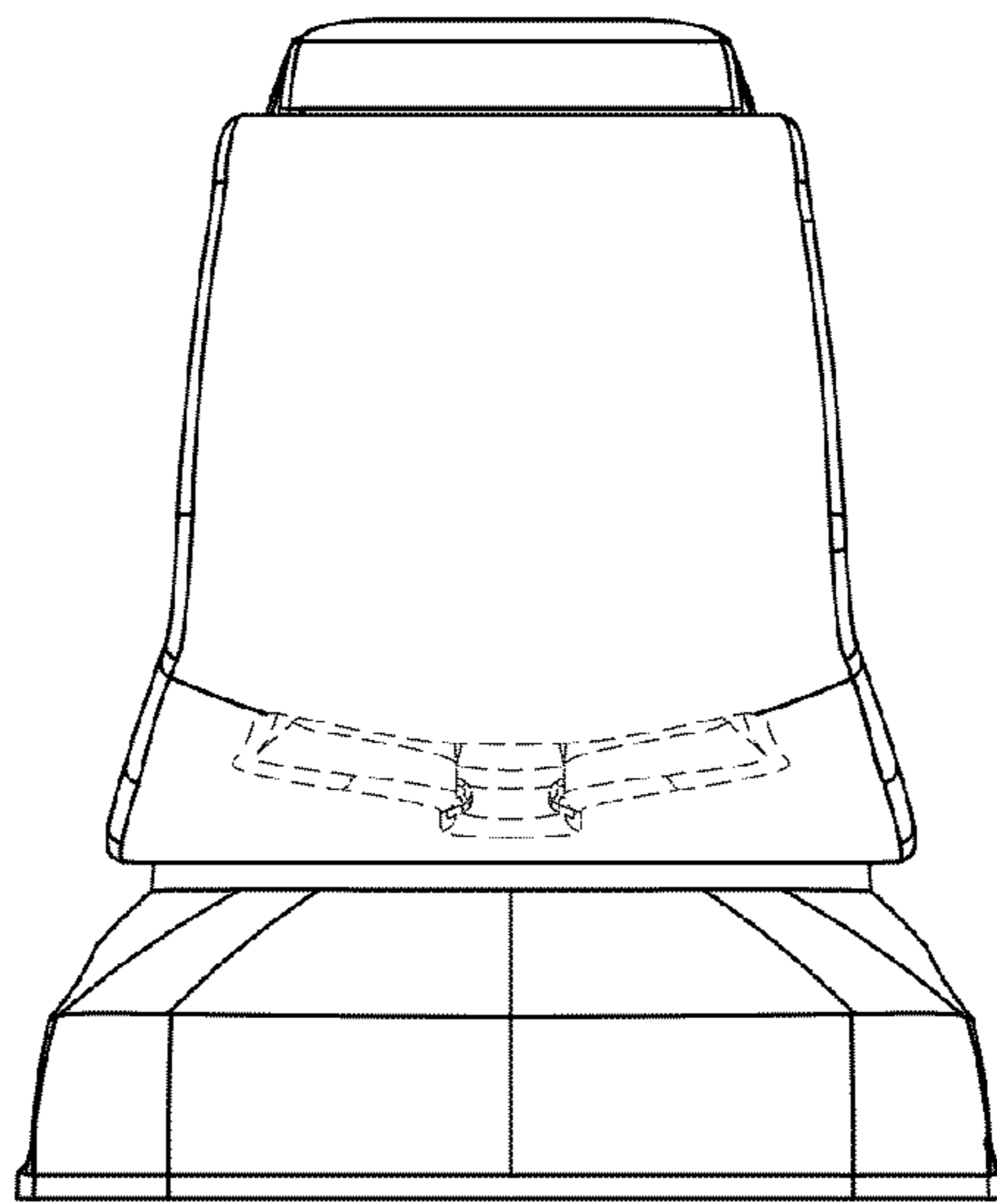


FIGURE 4

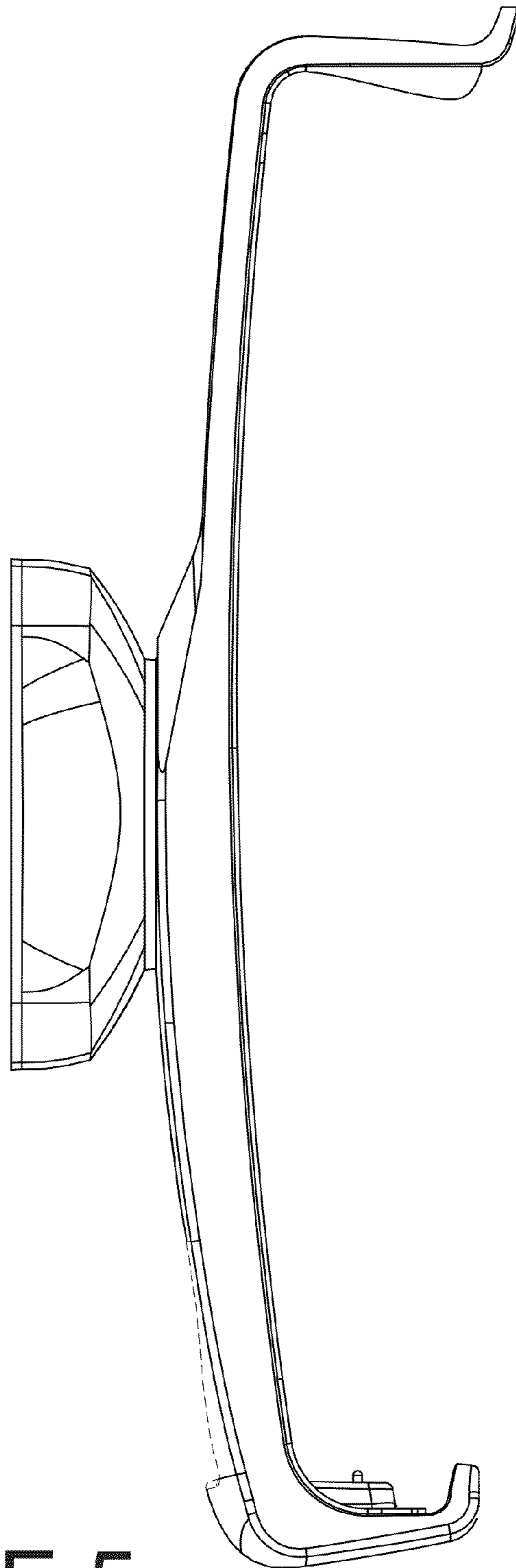


FIGURE 5

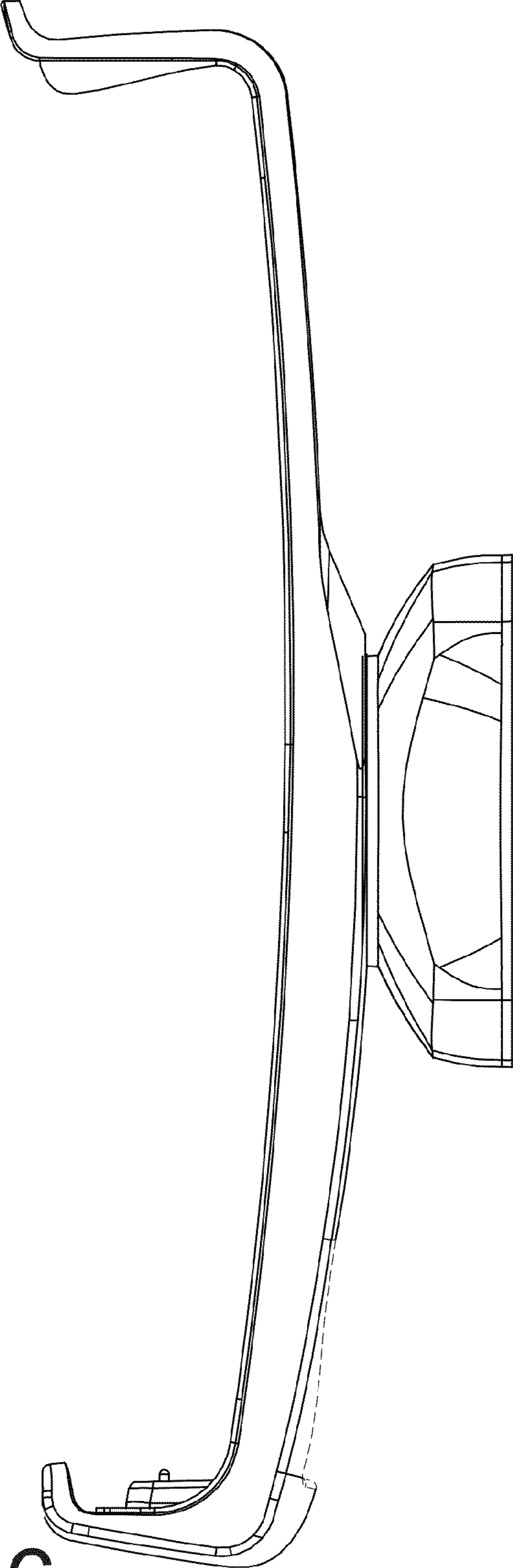


FIGURE 6

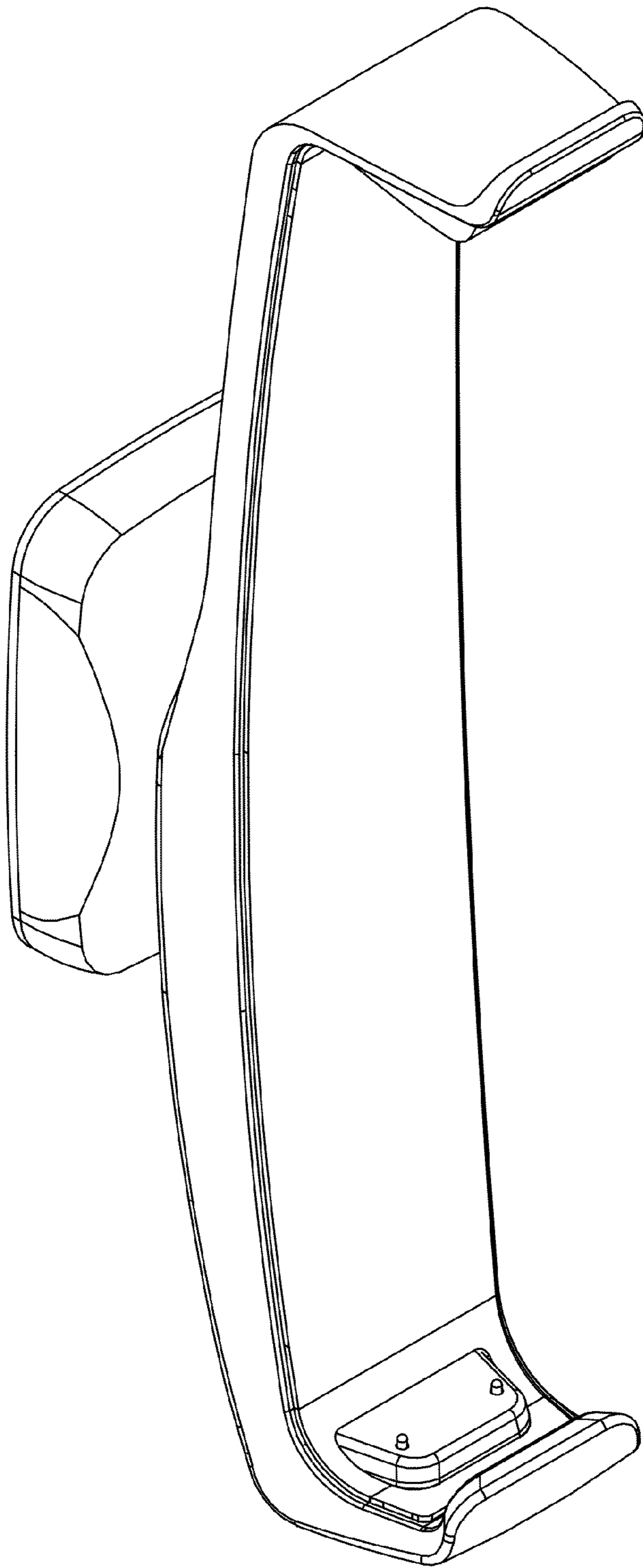


FIGURE 7

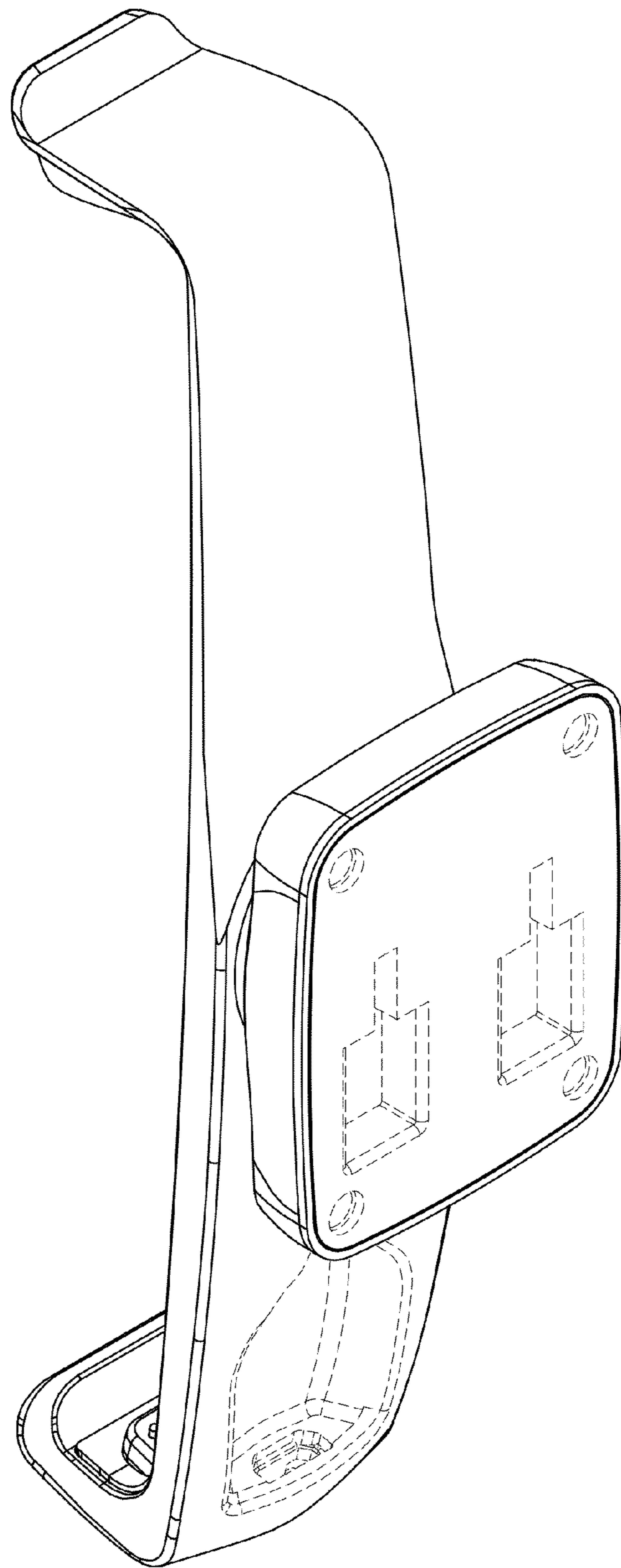


FIGURE 8