



US00D726172S

(12) **United States Design Patent**
Watkins et al.

(10) **Patent No.:** **US D726,172 S**
(45) **Date of Patent:** **** Apr. 7, 2015**

(54) **CASE**

(71) Applicant: **Adopted, Inc.**, New York, NY (US)

(72) Inventors: **David Watkins**, Monroe, WA (US);
Nora Levinson, Washington, DC (US);
Pablo Spagnoletti, Amsterdam (NL)

(73) Assignee: **Adopted, Inc.**, New York, NY (US)

(**) Term: **14 Years**

(21) Appl. No.: **29/473,051**

(22) Filed: **Nov. 18, 2013**

Related U.S. Application Data

(63) Continuation of application No. 29/450,178, filed on Mar. 15, 2013.

(51) **LOC (10) Cl.** **14-03**

(52) **U.S. Cl.**
USPC **D14/250**

(58) **Field of Classification Search**

CPC H04B 1/3888; H04M 1/0202; H04M 1/0283; H04M 1/0261

USPC D14/250, 137, 138 AA, 217, 238.1, 248, D14/251, 252, 253, 346, 440, 496, 356; D13/107, 108; 455/575.1, 575.8, 95, 455/93; 220/4.02; 206/305, 320, 251, 45.2

See application file for complete search history.

(56) **References Cited**

U.S. PATENT DOCUMENTS

D623,180 S 9/2010 Diebel
D626,540 S 11/2010 Brown et al.
D649,539 S * 11/2011 Hong D14/250
D651,202 S 12/2011 Fathollahi
D662,923 S * 7/2012 Piedra et al. D14/250
D669,062 S * 10/2012 Rothbaum et al. D14/250
D669,458 S * 10/2012 Wilson et al. D14/250

8,286,789 B2 10/2012 Wilson et al.
D671,102 S * 11/2012 Rothbaum et al. D14/250
D671,105 S * 11/2012 Rothbaum et al. D14/250
D671,107 S * 11/2012 Rothbaum et al. D14/250

(Continued)

OTHER PUBLICATIONS

Internet Archive Wayback Machine, "iPhone 5 Cases" (http://www.case-mate.com/iPhone-5_cases/iPhone-5-Cases.as, retrieved Nov. 11, 2013, 2 pages.

(Continued)

Primary Examiner — Deanna L Pratt

Assistant Examiner — Lilyana Bekic

(74) *Attorney, Agent, or Firm* — Sterne, Kessler, Goldstein & Fox P.L.L.C.

(57) **CLAIM**

The ornamental design for a case, as shown and described.

DESCRIPTION

FIG. 1 is a top rear perspective view of a case showing our new design in an environment in which it may be used with a portable electronic device, such as, for example, a mobile phone;

FIG. 2 is another top rear perspective view of the case;

FIG. 3 is a bottom rear perspective view thereof;

FIG. 4 is a top view thereof;

FIG. 5 is a bottom view thereof;

FIG. 6 is a left side view thereof;

FIG. 7 is a right side view thereof;

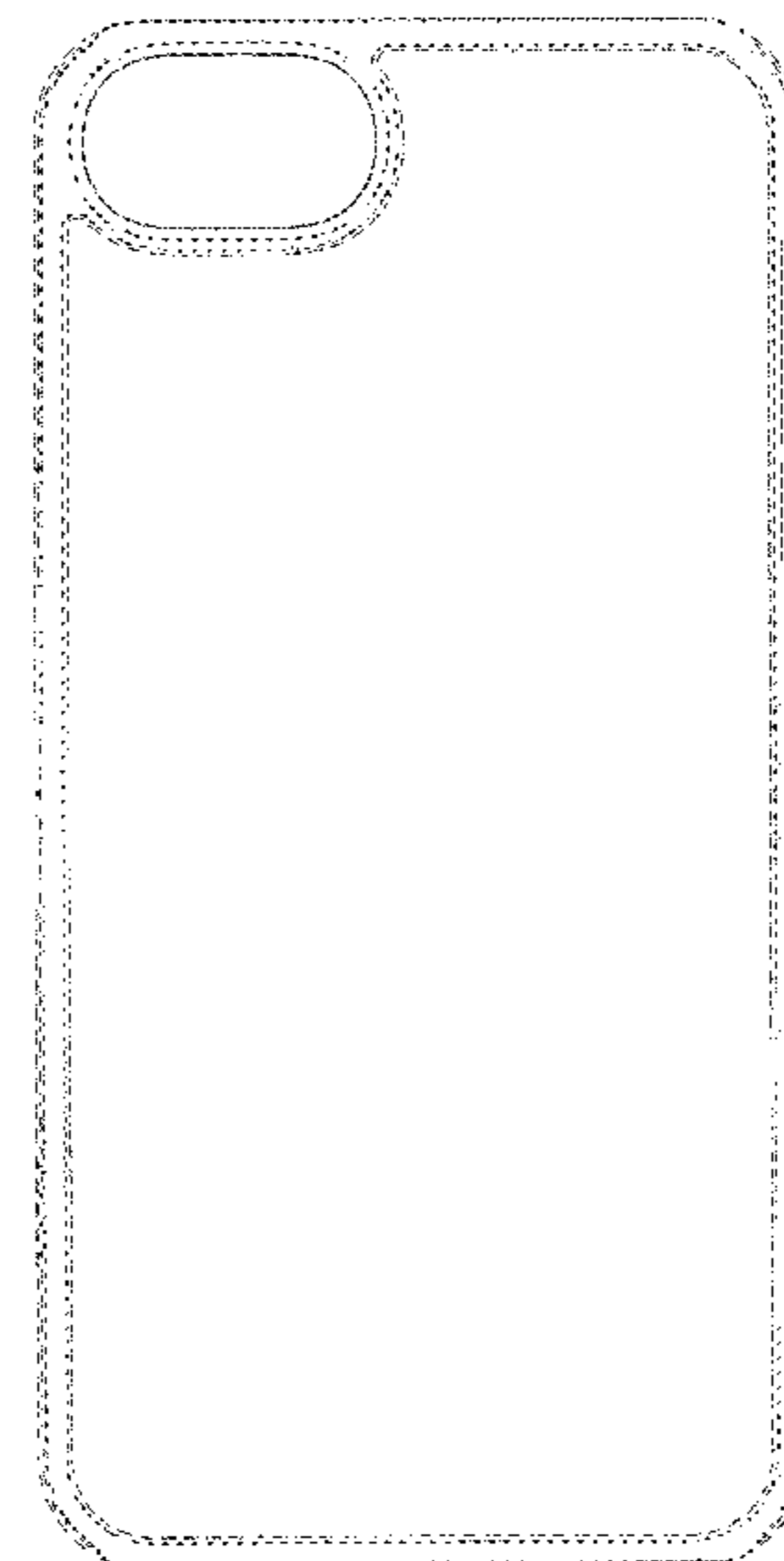
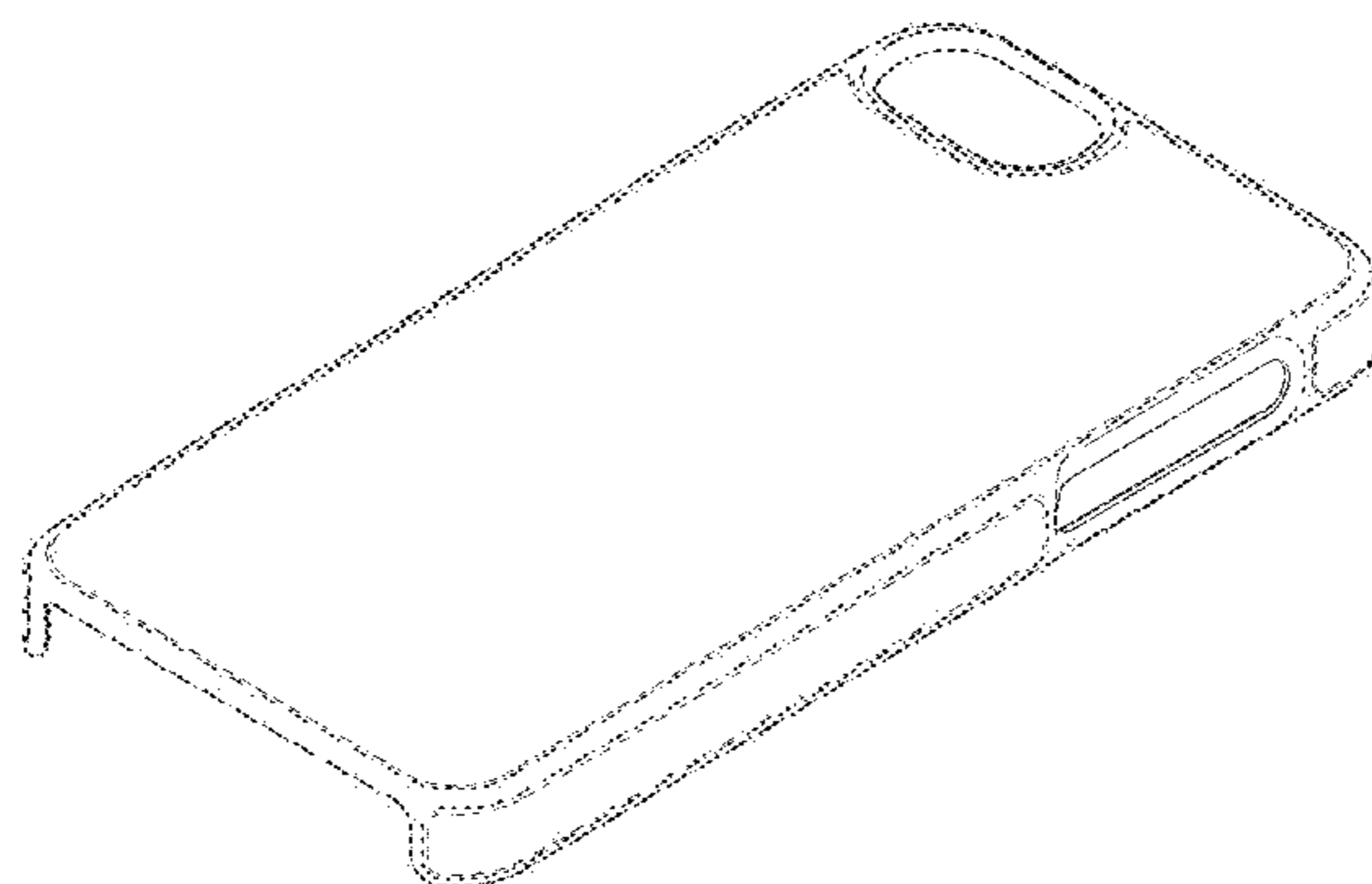
FIG. 8 is a front view thereof; and,

FIG. 9 is a rear view thereof.

The broken line showing of a portable electronic device in FIG. 1 is environmental and forms no part of the claimed design.

The broken lines in FIGS. 1-9 show portions of the case which form no part of the claimed design.

1 Claim, 7 Drawing Sheets



(56)

References Cited

U.S. PATENT DOCUMENTS

D671,109 S * 11/2012 Rothbaum et al. D14/250
 D671,932 S 12/2012 Azoulay
 D671,933 S 12/2012 Rodgers
 D678,871 S * 3/2013 Mishan et al. D14/250
 D679,694 S * 4/2013 Fahrendorff et al. D14/250
 D681,620 S * 5/2013 Huskinson D14/250
 D684,567 S * 6/2013 Murchison et al. D14/250
 D685,779 S * 7/2013 Schriefer et al. D14/250
 D686,606 S * 7/2013 Hong D14/250
 D686,607 S * 7/2013 Hong D14/250
 D687,027 S * 7/2013 Melanson et al. D14/250
 D690,292 S * 9/2013 Bibla et al. D14/250
 D691,992 S * 10/2013 Murchison et al. D14/250
 D696,235 S * 12/2013 Murchison et al. D14/250
 D700,598 S * 3/2014 Kim D14/250
 8,676,281 B1 * 3/2014 Caulder et al. 455/575.8
 D702,672 S * 4/2014 Mather D14/250
 D704,182 S * 5/2014 Smith D14/250
 D709,439 S * 7/2014 Ferber et al. D13/103
 2012/0088555 A1 4/2012 Hu

2012/0097412 A1 4/2012 Wennemer et al.
 2012/0103844 A1 * 5/2012 Piedra et al. 206/320
 2012/0309475 A1 12/2012 Johnson
 2013/0045782 A1 * 2/2013 Simmer 455/575.8
 2013/0069499 A1 * 3/2013 Modrell 312/223.1
 2014/0061070 A1 * 3/2014 Seok 206/37
 2014/0194167 A1 * 7/2014 Grimes 455/575.1

OTHER PUBLICATIONS

“Crystal Mobil Phone Cover for iPhone 4 with Leopard Line . . .”
<http://www.ecvv.com/product/3506812.html> , retrieved Nov. 11, 2012, 2 pages.
 “iPhone 4/4S Blossom™” (www.switcheasy.com/product/Blossom_iPhone4S), retrieved Nov. 11, 2013, 2 pages.
 “Covers for Cell Phones/Cell Phone for iPhone4/4s” (<http://cnszsumai.en.made-in-china.com/product/JvKmZjhbXQkE/China-Covers-for-Cell-Phones-Cell-Phone-...>) retrieved Nov. 11, 2013, 1 page.
 “Mobile Phone Case for Bb9000”(www.BIzBuySell.com) retrieved Nov. 11, 2013, 2 pages.

* cited by examiner

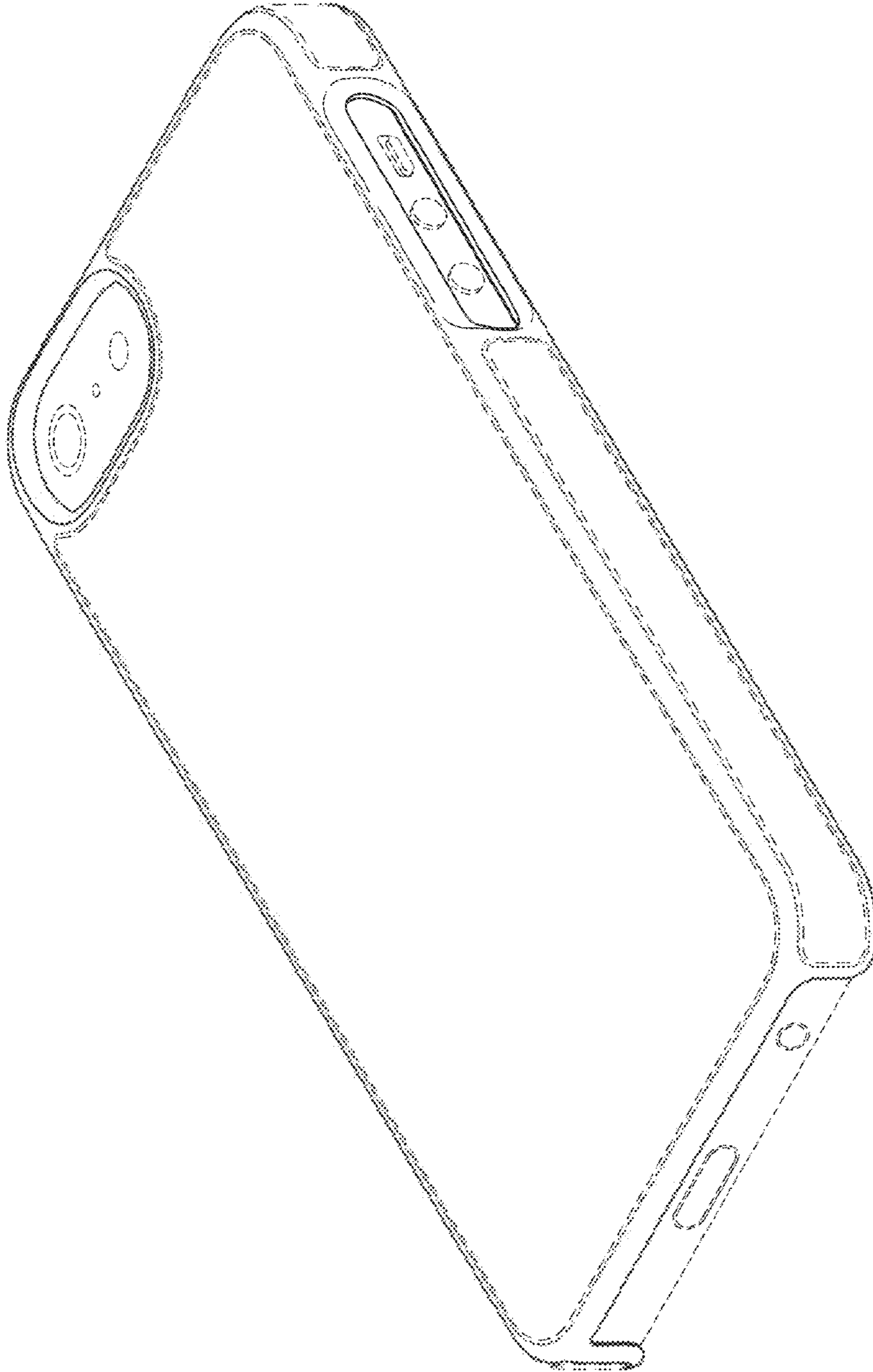


FIG. 1

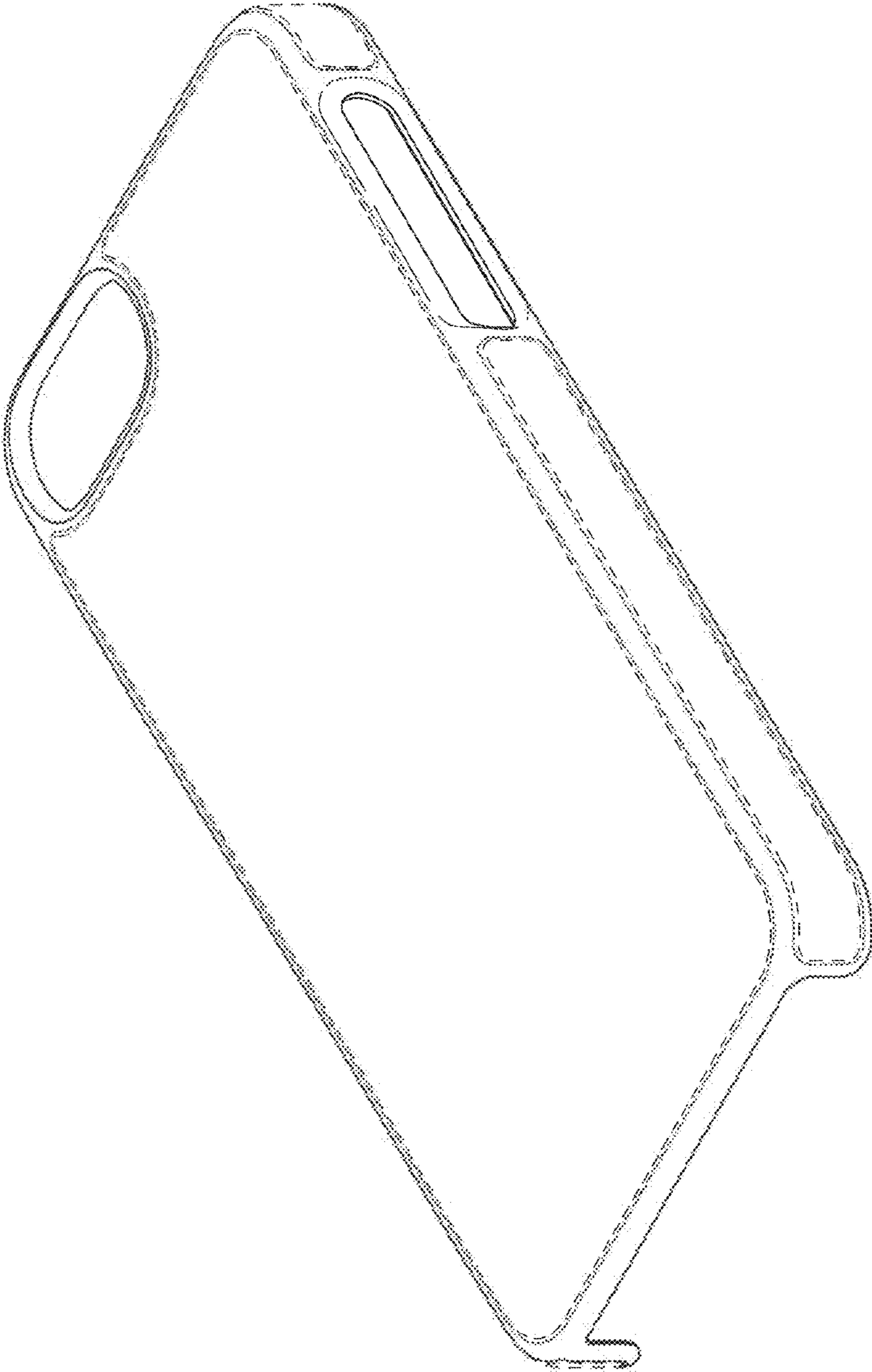


FIG. 2

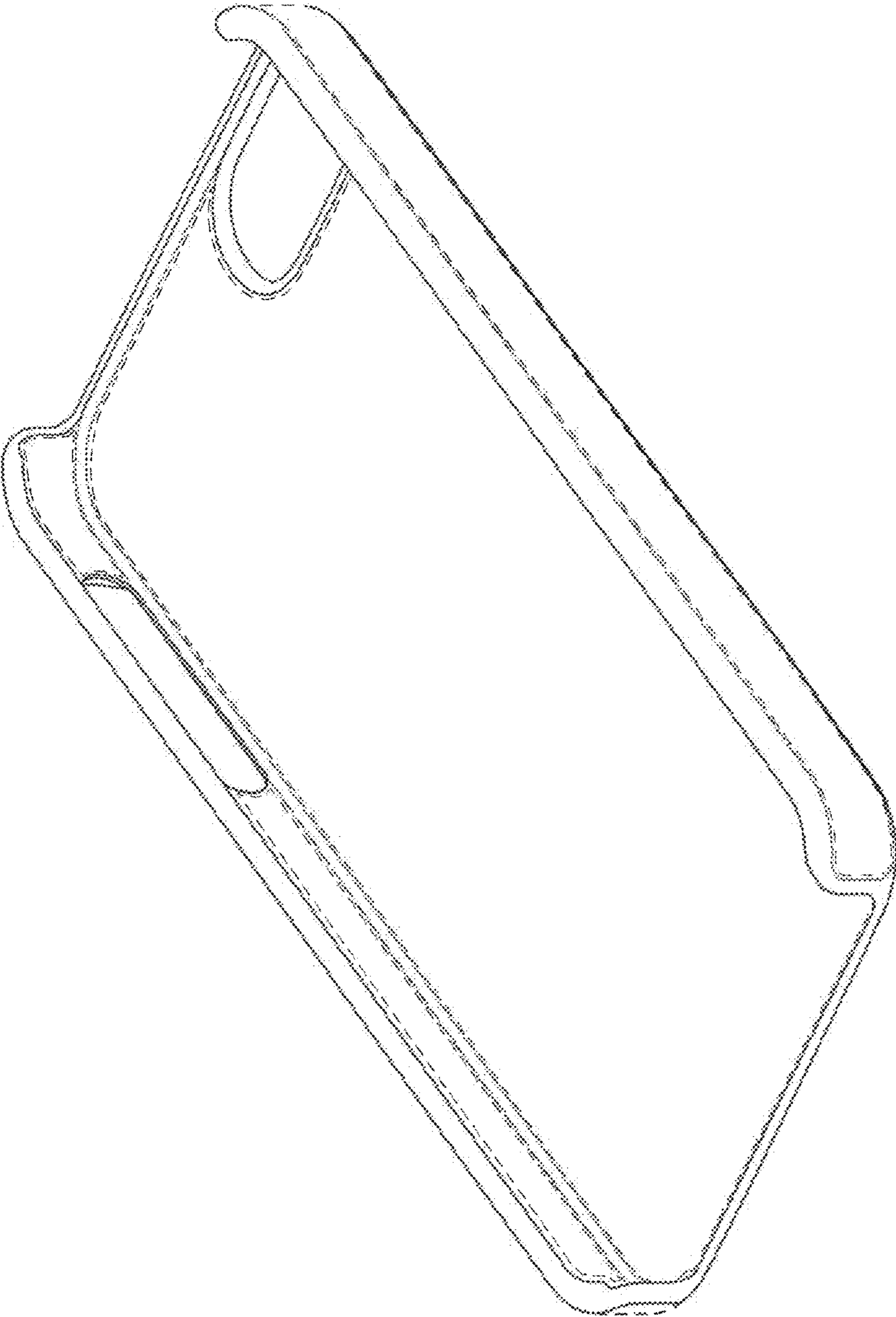


FIG. 3

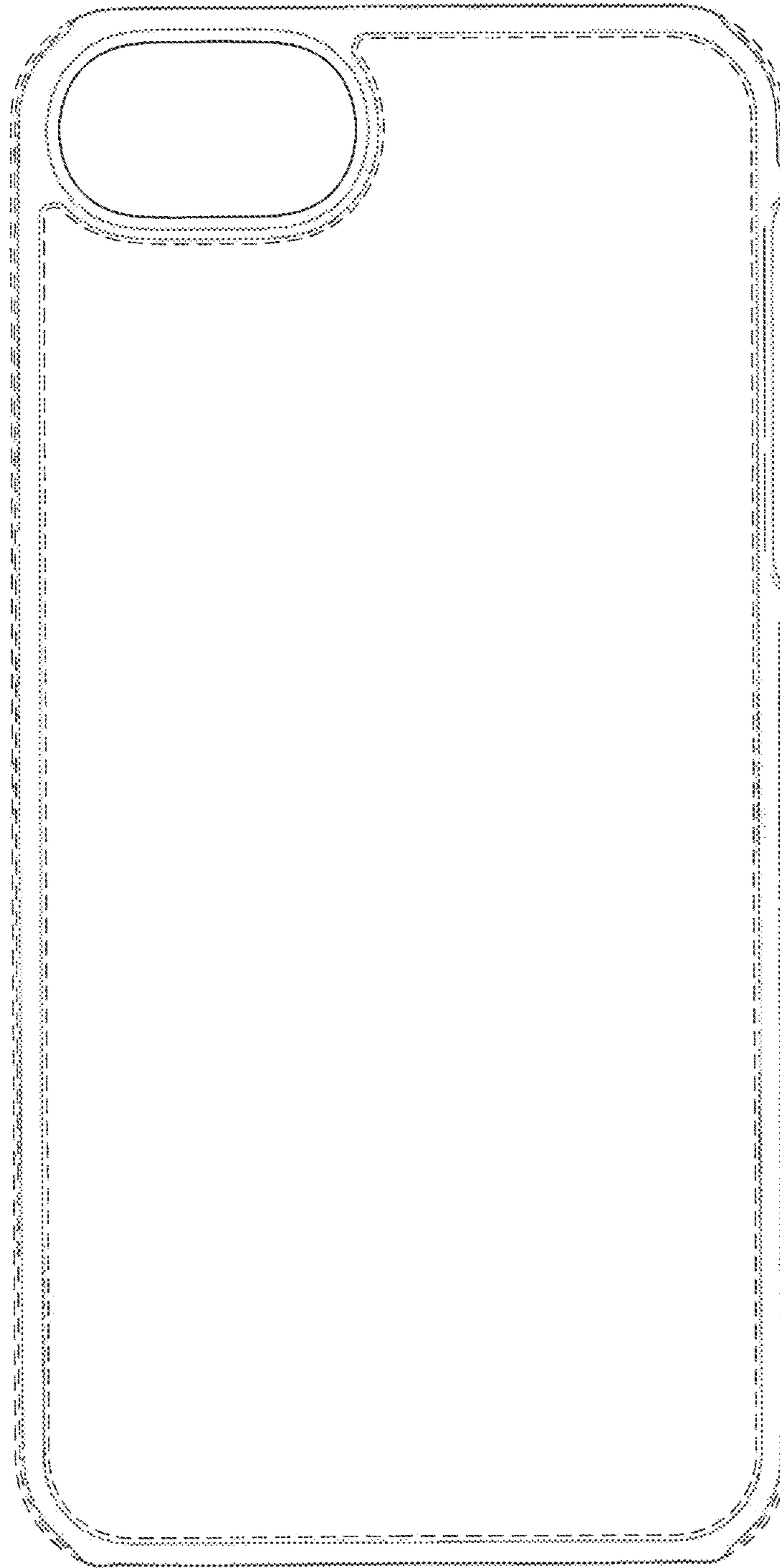


FIG. 4

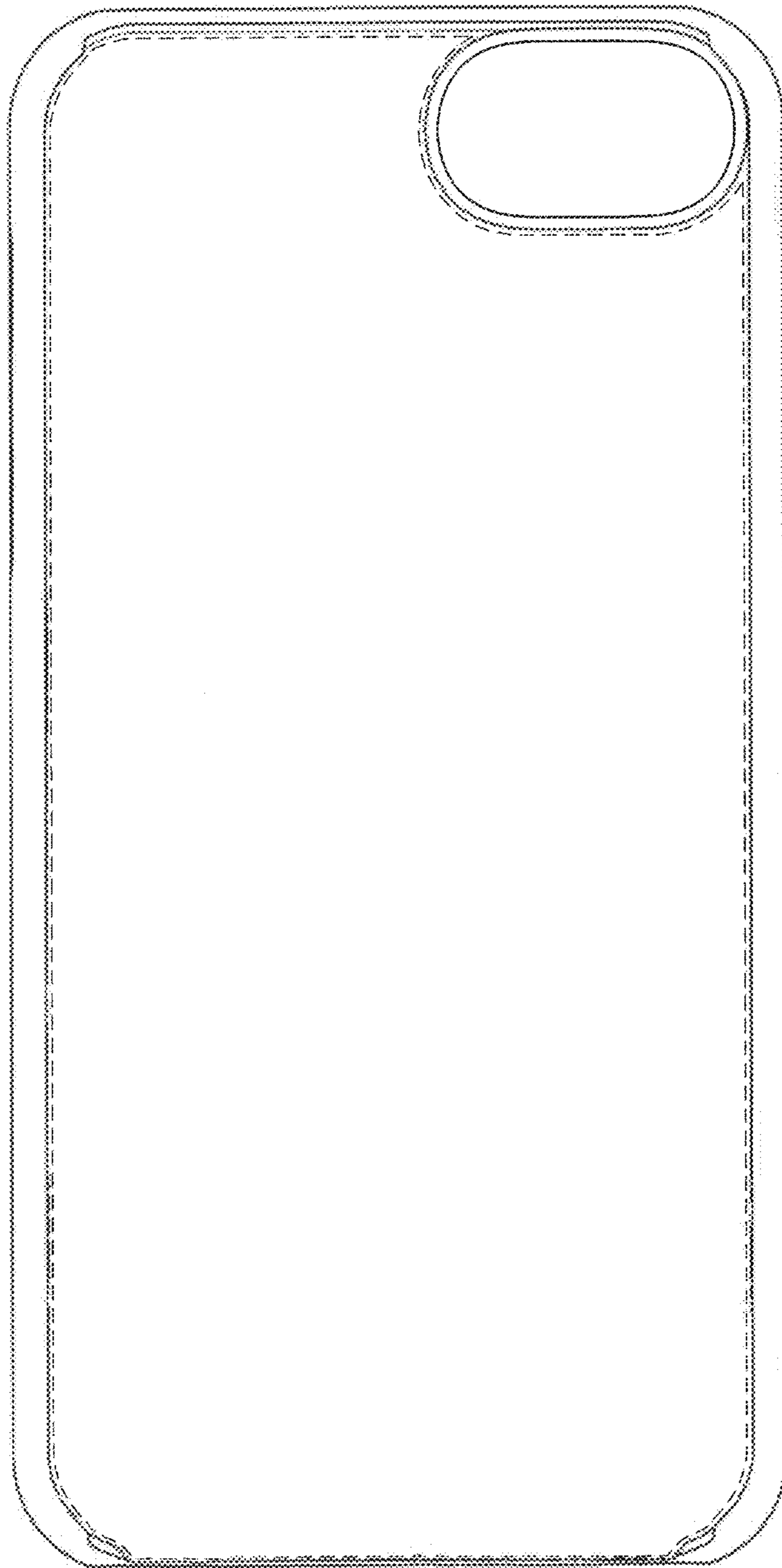


FIG. 5

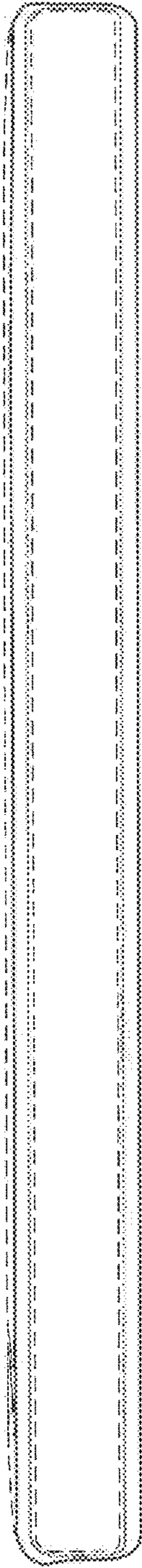


FIG. 6

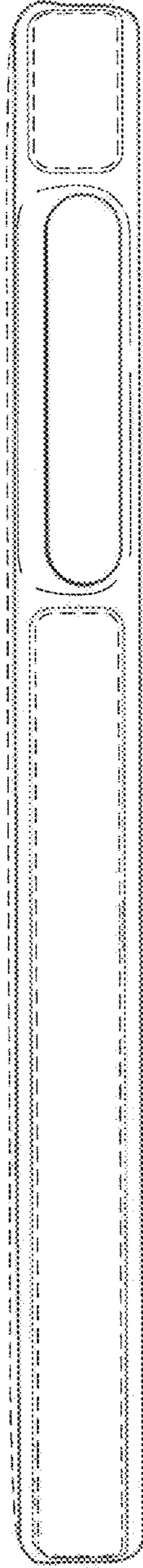


FIG. 7

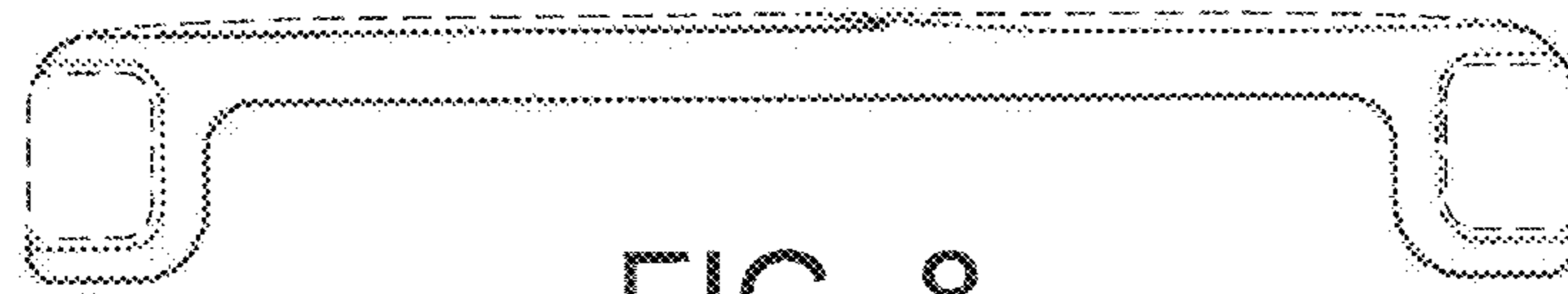


FIG. 8

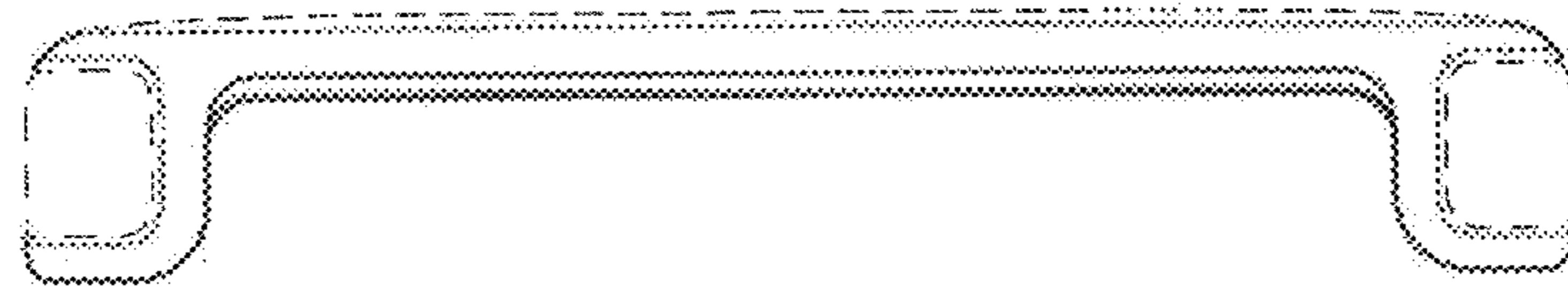


FIG. 9