



US00D726170S

(12) **United States Design Patent**
Ng

(10) **Patent No.:** **US D726,170 S**

(45) **Date of Patent:** **** Apr. 7, 2015**

(54) **CASING FOR ELECTRONIC DEVICE**

(71) Applicant: **Wai Kit Ng**, Hong Kong (HK)

(72) Inventor: **Wai Kit Ng**, Hong Kong (HK)

(**) Term: **14 Years**

(21) Appl. No.: **29/450,336**

(22) Filed: **Mar. 16, 2013**

(51) **LOC (10) Cl.** **14-03**

(52) **U.S. Cl.**
USPC **D14/250**

(58) **Field of Classification Search**
CPC A45C 2011/002; A45C 13/002; H04B
1/3888; H04M 1/04; H04M 1/0202; H04M
1/0283; H04M 1/185
USPC D14/250, 138 AA, 138 AB, 138 AD,
D14/138 G, 217, 238.1, 248, 251–253, 346,
D14/356, 440, 496, 203.5, 203.8; D13/103,
D13/107, 108; D3/201, 218, 247, 269, 273,
D3/301, 303; 455/575.1, 575.8; 206/305,
206/320, 251, 45.2

See application file for complete search history.

(56) **References Cited**

U.S. PATENT DOCUMENTS

D503,532 S *	4/2005	Andre et al.	D3/218
D594,224 S *	6/2009	Leung et al.	D3/218
D613,498 S *	4/2010	Tsai	D3/218
D624,069 S *	9/2010	Peng et al.	D14/324
D629,193 S *	12/2010	Liu	D3/218
D641,974 S *	7/2011	Stampfli	D3/218
D644,428 S *	9/2011	Feng	D3/218
D646,662 S *	10/2011	Kim	D14/138 G
D654,894 S *	2/2012	Kim	D14/138 G
D654,898 S *	2/2012	Kim	D14/138 G

D654,900 S *	2/2012	Jung	D14/138 G
D662,925 S *	7/2012	Mayberry et al.	D14/250
D670,279 S *	11/2012	Veltz et al.	D14/250
D676,843 S *	2/2013	Monaco et al.	D14/250
D682,815 S *	5/2013	Chang	D14/250
D687,004 S *	7/2013	Behling	D14/138 G
D701,211 S *	3/2014	Ng	D14/440
D709,486 S *	7/2014	Lin	D14/250
2013/0092562 A1 *	4/2013	Wyner et al.	206/45.23
2014/0069825 A1 *	3/2014	Macrina et al.	206/37

* cited by examiner

Primary Examiner — Deanna L Pratt

Assistant Examiner — Lilyana Bekic

(74) *Attorney, Agent, or Firm* — Novoclaims Patent Services LLC; Mei Lin Wong

(57) **CLAIM**

The ornamental design for a casing for electronic device, as shown and described.

DESCRIPTION

FIG. 1 is a front perspective view of a casing for electronic device without the attachable belt clip.

FIG. 2 is a front view thereof.

FIG. 3 is a rear view thereof.

FIG. 4 is a left end view thereof.

FIG. 5 is a right end view thereof.

FIG. 6 is a top view thereof.

FIG. 7 is a bottom view thereof.

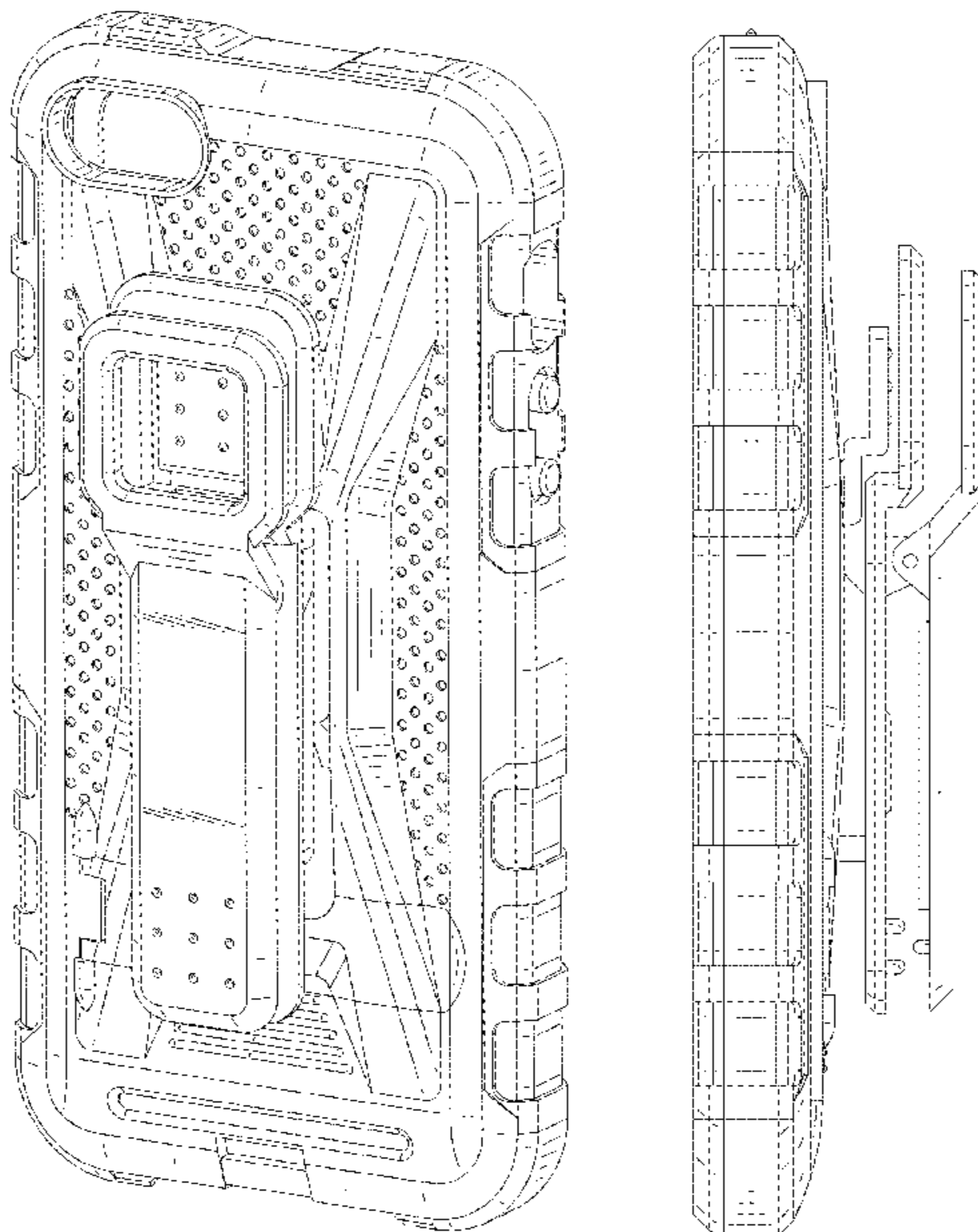
FIG. 8 is a rear perspective view thereof.

FIG. 9 is a rear perspective view of a casing for electronic device with an attachable belt clip thereof.

FIG. 10 is an exploded view of a casing for electronic device with an attachable belt clip thereof; and,

FIG. 11 is a right end view of a casing for electronic device with an attachable belt clip thereof.

1 Claim, 10 Drawing Sheets



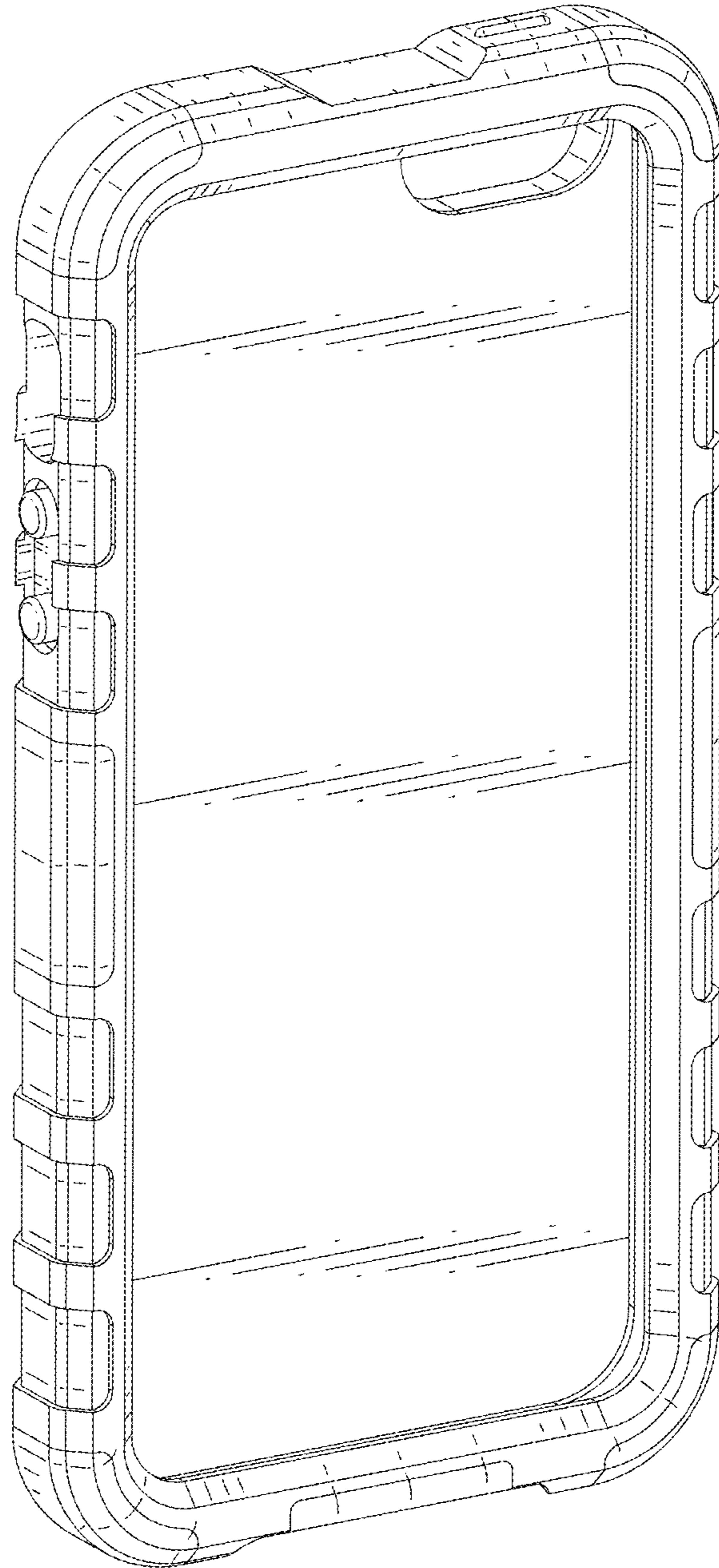


FIG. 1

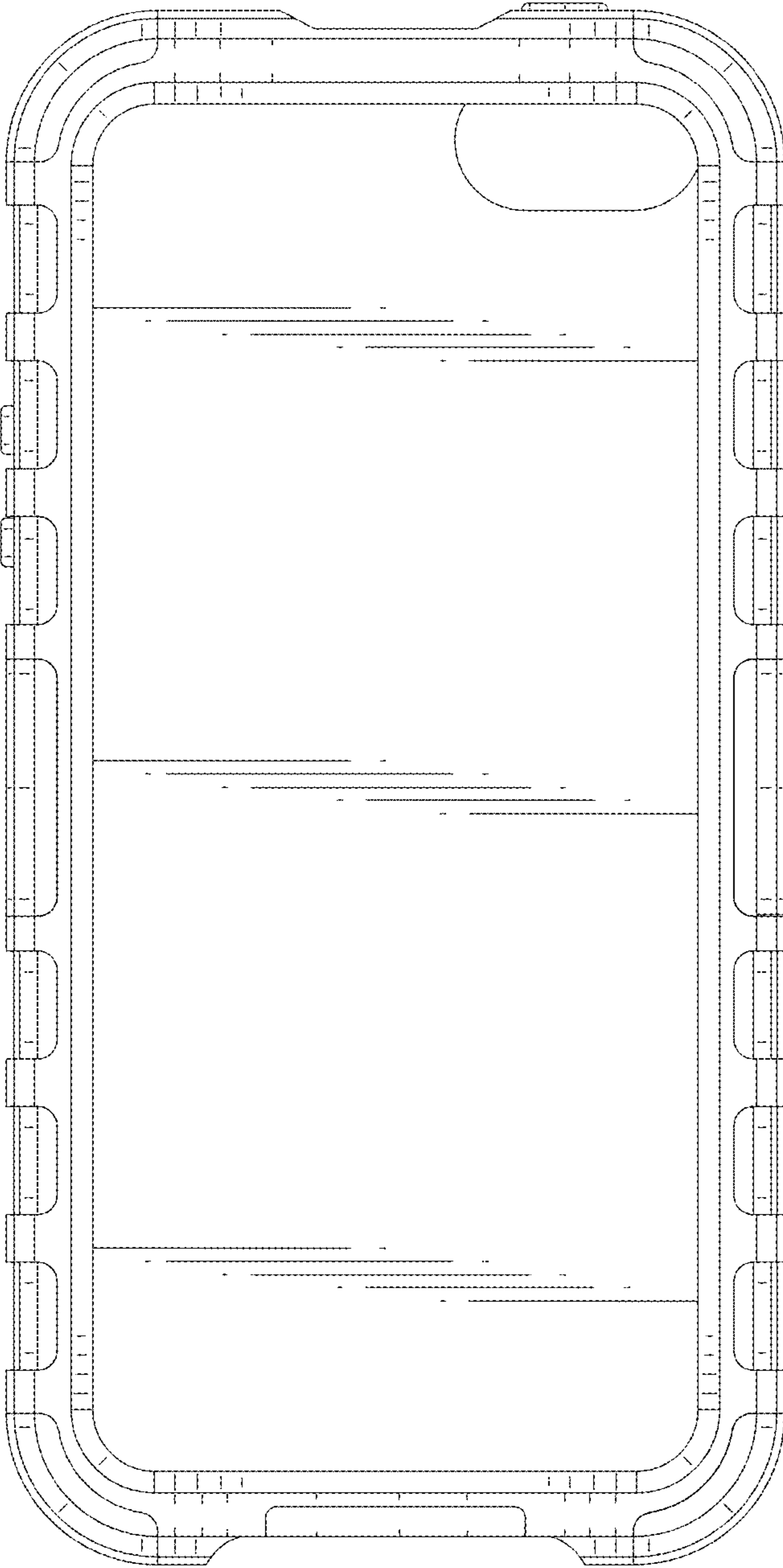


FIG.2

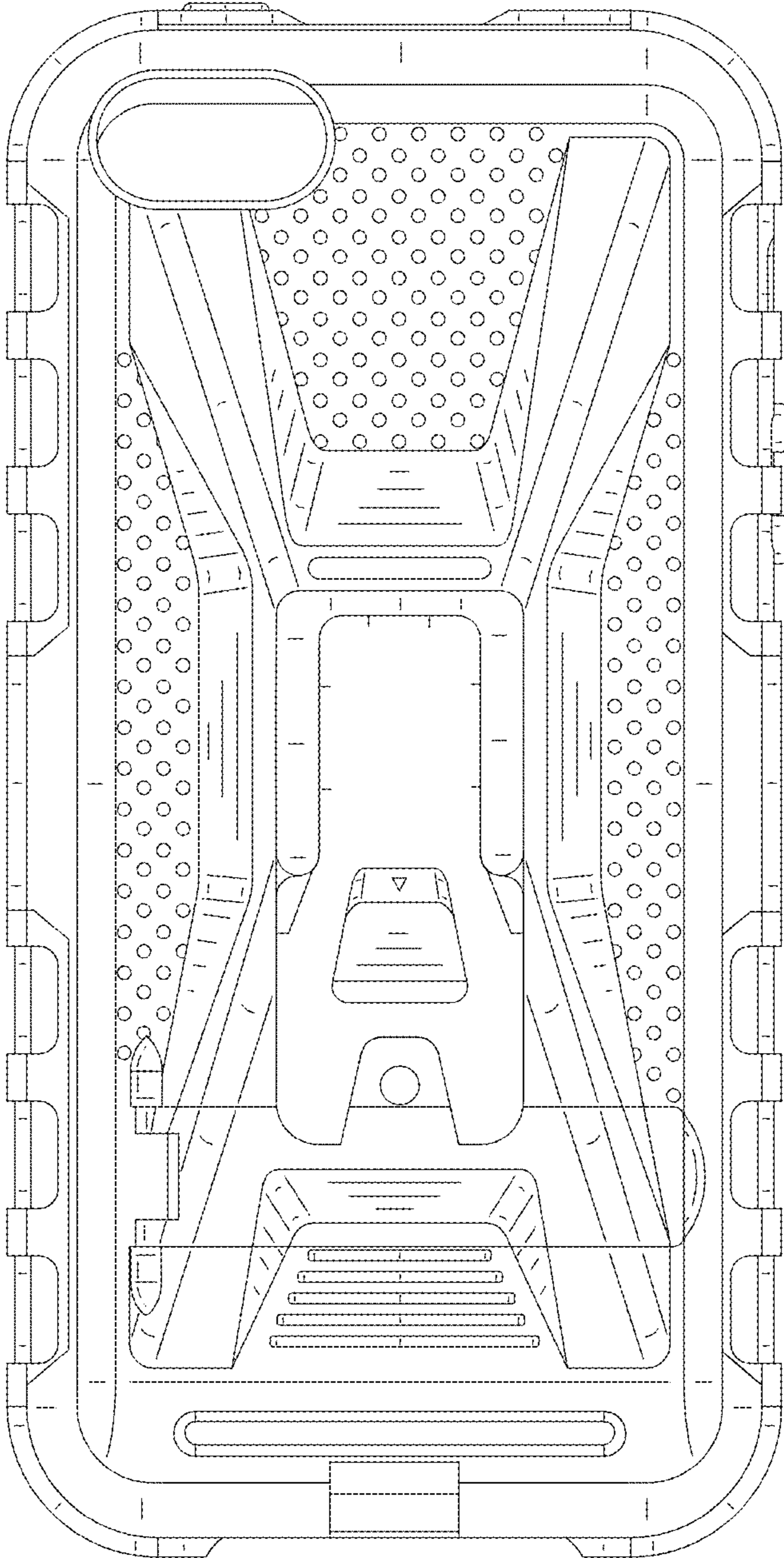


FIG.3

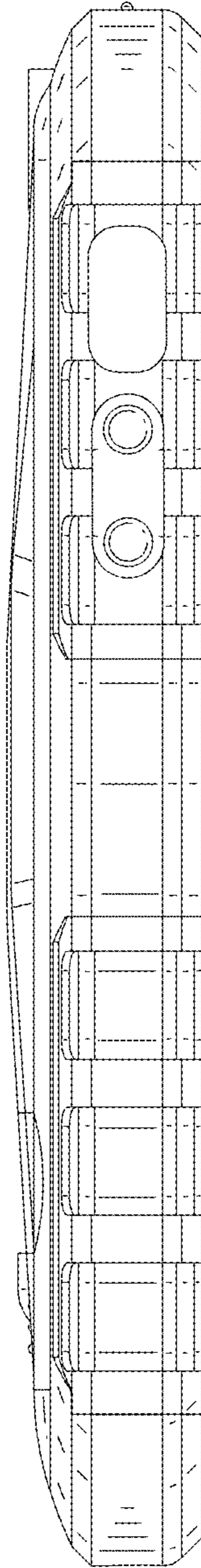


FIG.4

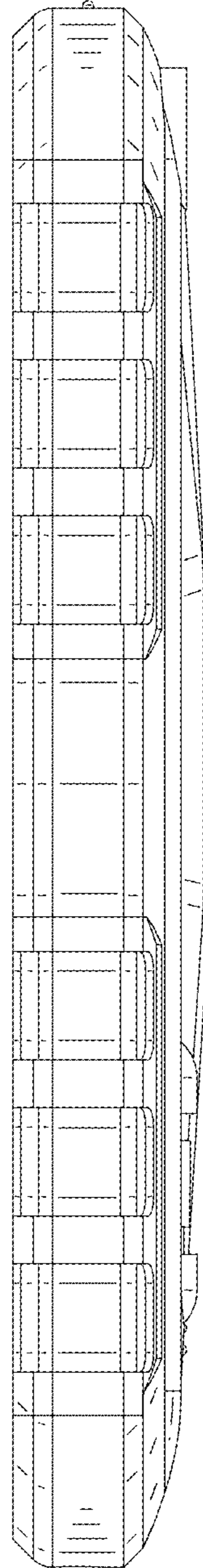


FIG.5

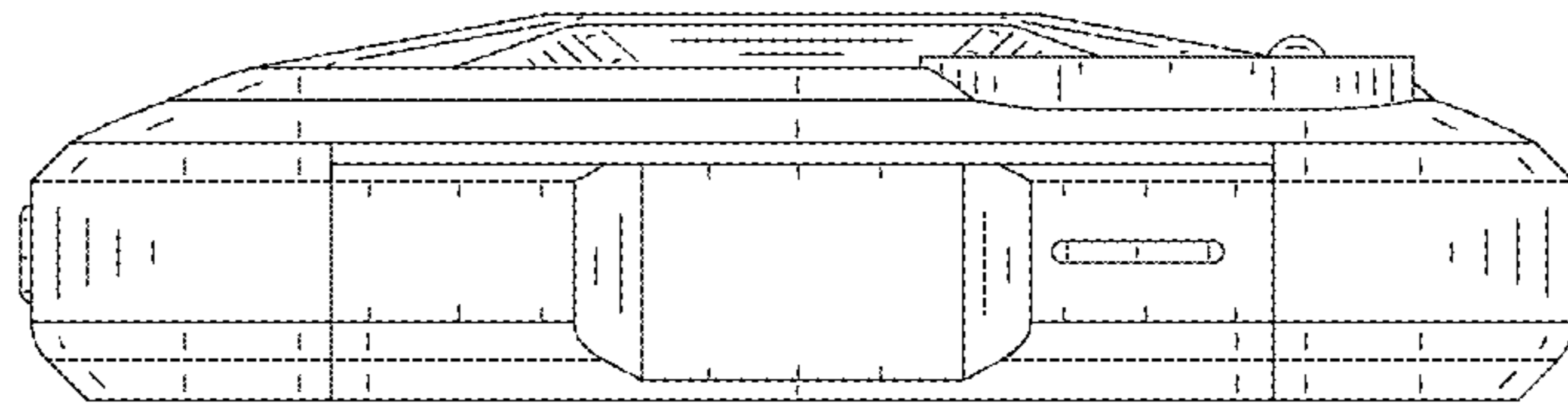


FIG.6

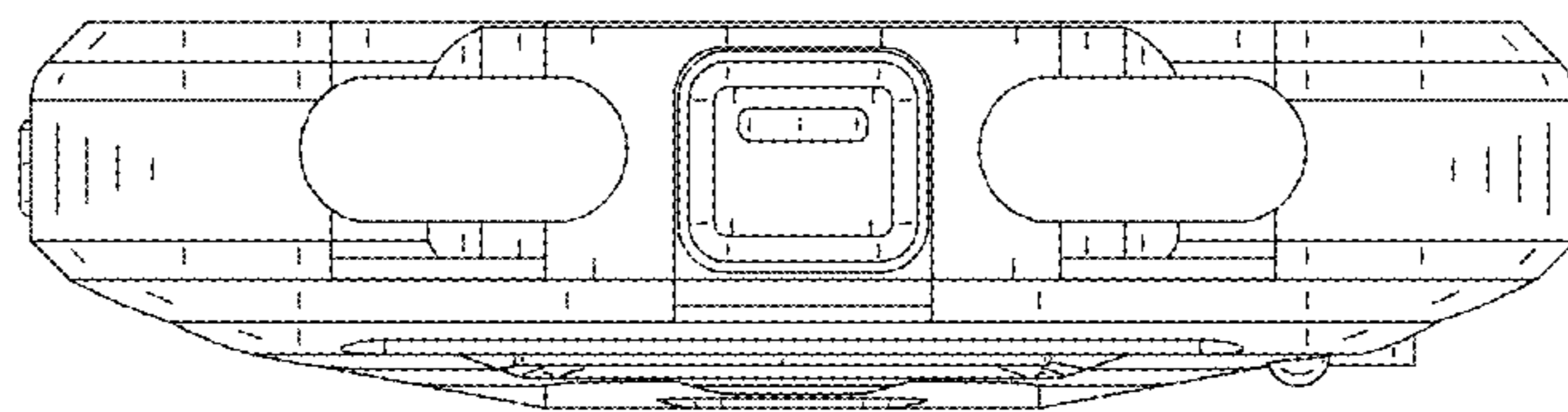


FIG.7

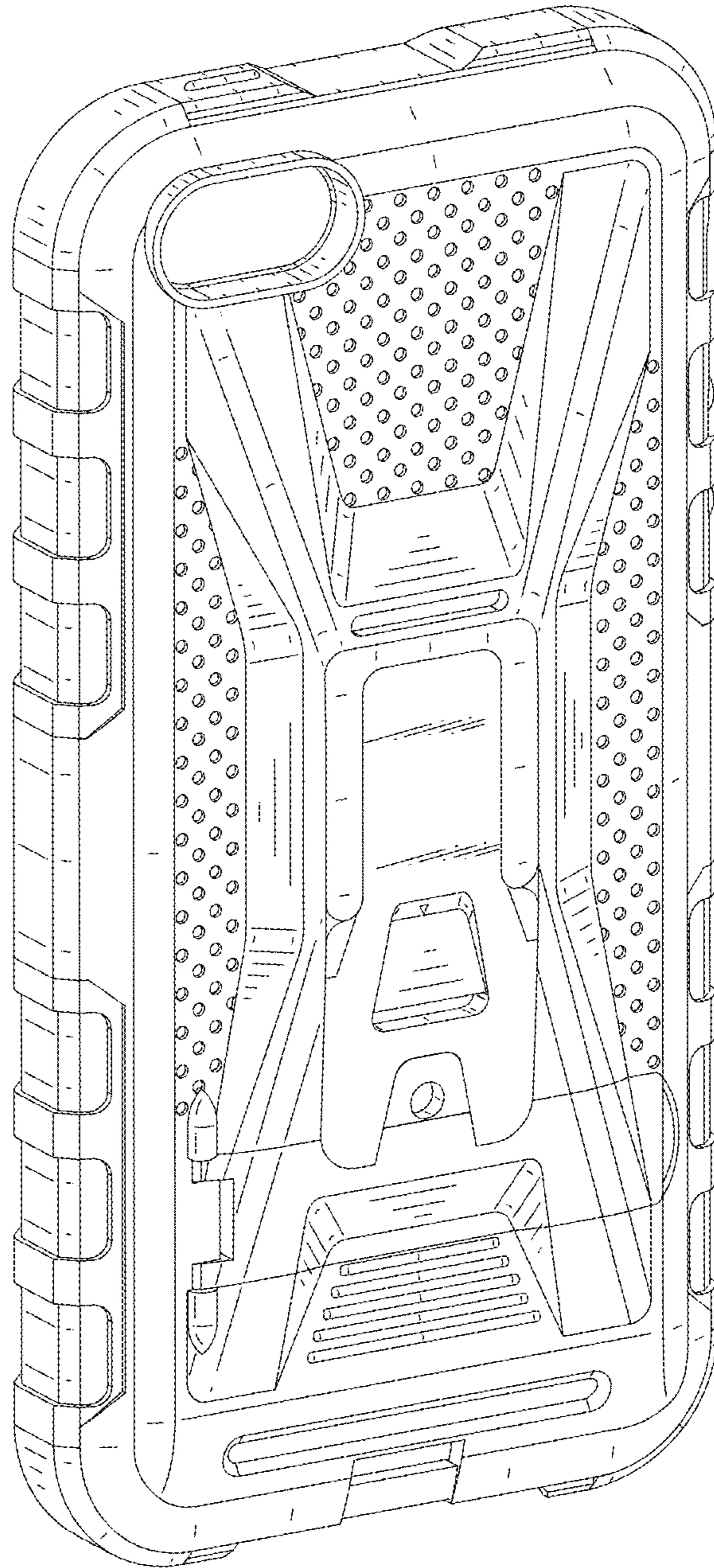


FIG.8

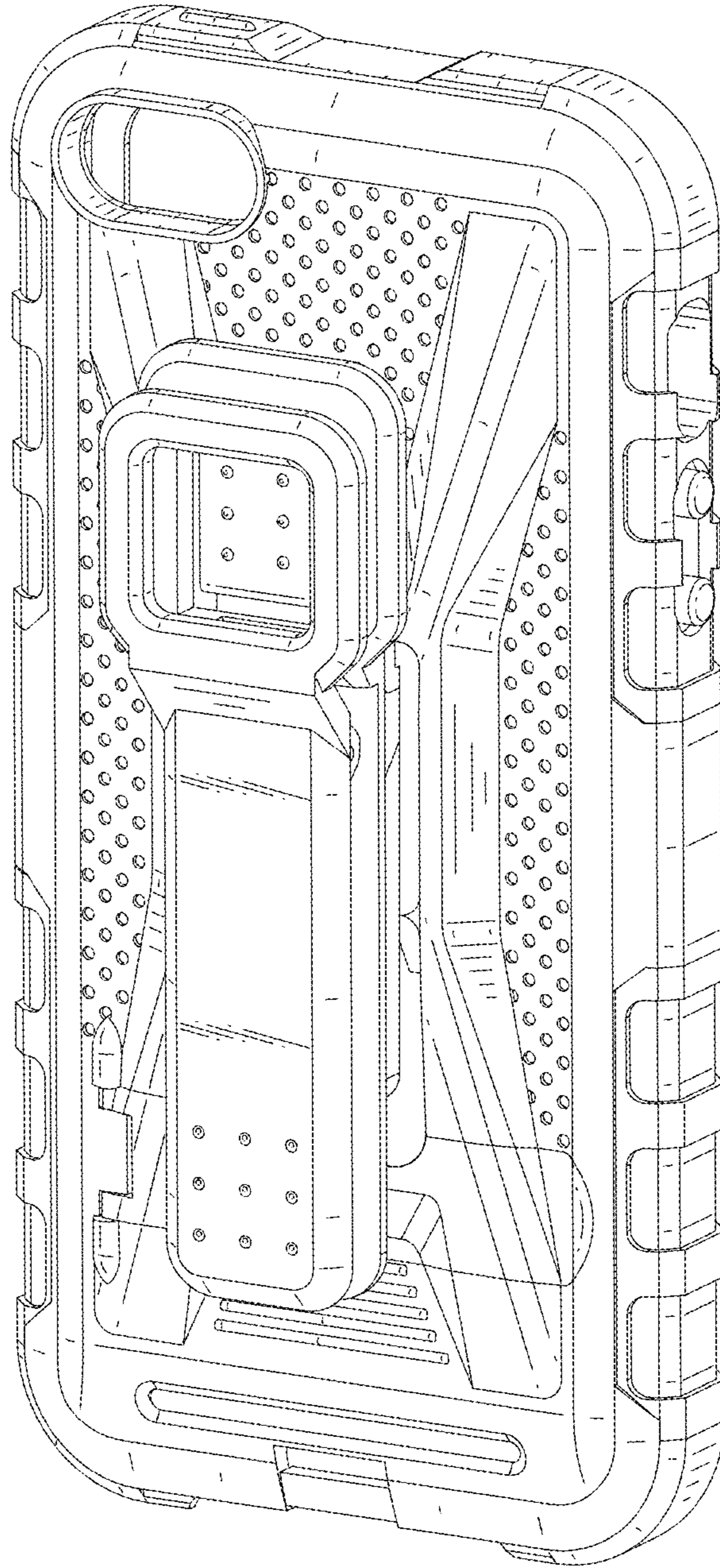


FIG.9

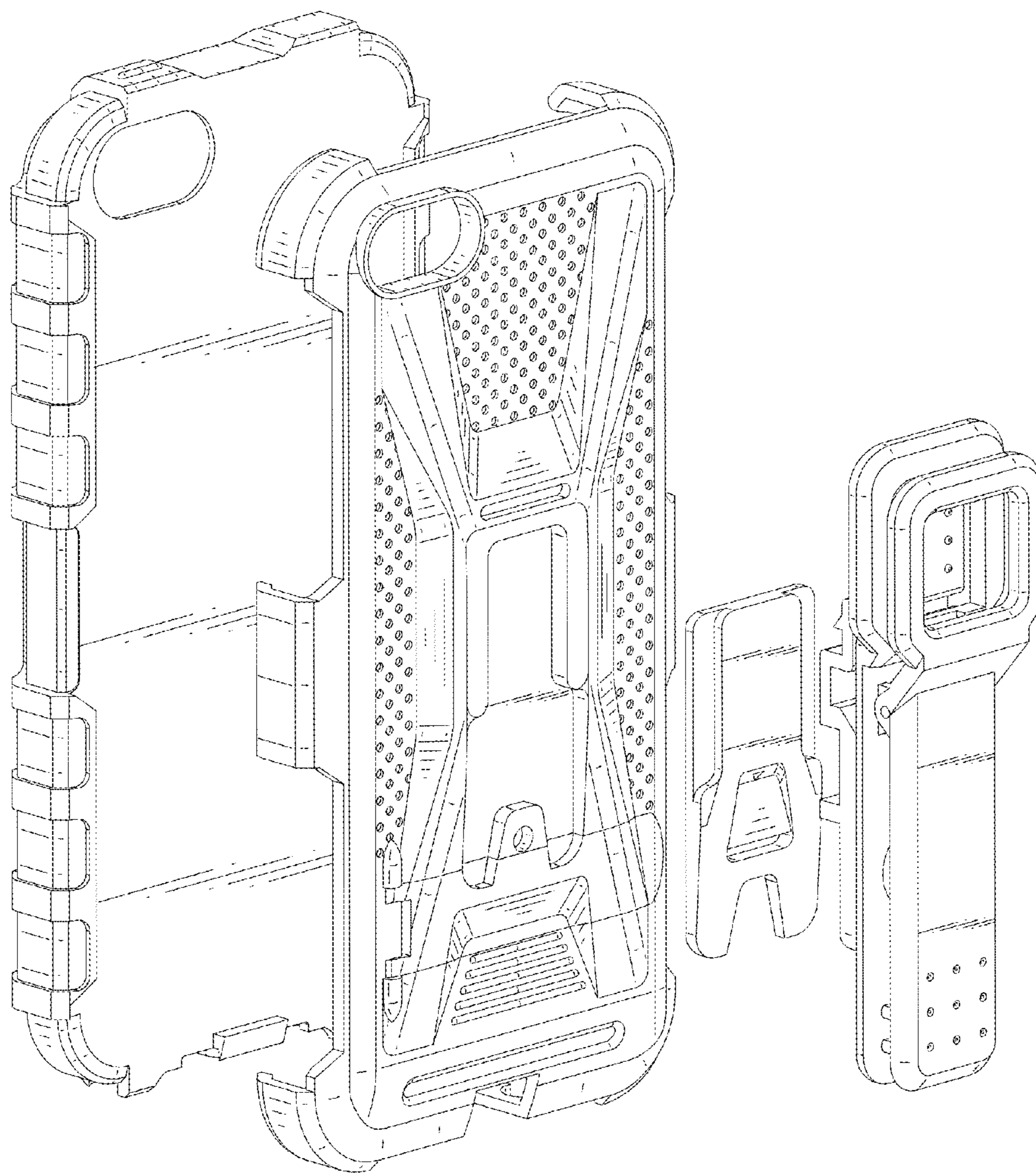


FIG.10

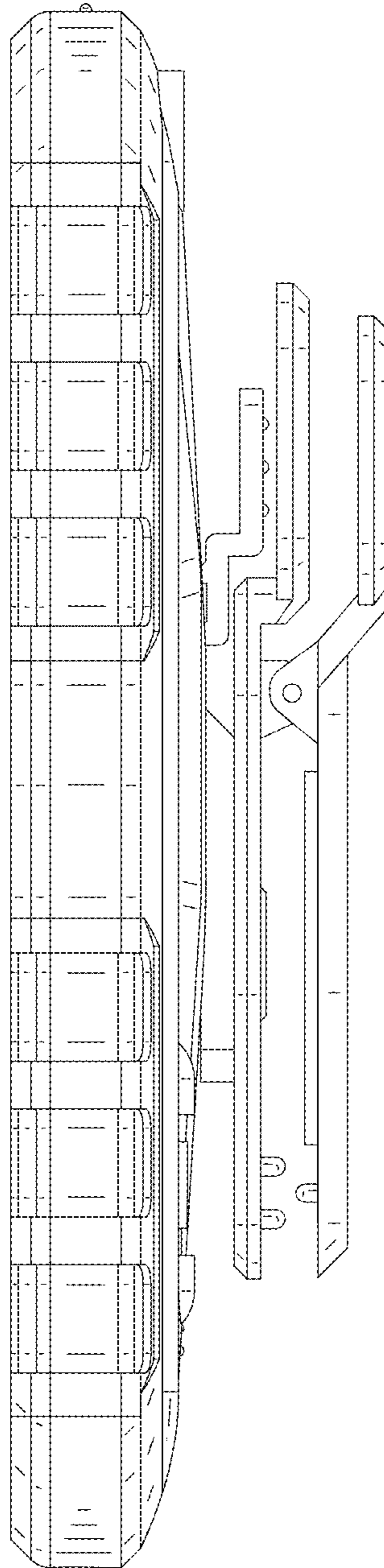


FIG.11