



US00D726167S

(12) **United States Design Patent**  
**Lin et al.**

(10) **Patent No.:** **US D726,167 S**  
(45) **Date of Patent:** **\*\* Apr. 7, 2015**

(54) **HANDSET**  
(71) Applicant: **Nokia Corporation**, Espoo (FI)  
(72) Inventors: **Yan Lin**, Beijing (CN); **Wei Wang**,  
Beijing (CN)  
(73) Assignee: **Nokia Corporation**, Espoo (FI)  
(\*\*) Term: **14 Years**  
(21) Appl. No.: **29/450,188**  
(22) Filed: **Mar. 15, 2013**

D583,342 S \* 12/2008 Kim et al. .... D14/138 G  
D583,346 S 12/2008 Jung et al.  
D584,272 S 1/2009 Chung et al.  
D584,711 S \* 1/2009 Kim et al. .... D14/138 G  
D589,021 S \* 3/2009 Millora .... D14/138 AD  
D594,833 S \* 6/2009 Park .... D14/138 G  
D595,683 S 7/2009 Tsai et al.  
D606,961 S 12/2009 Aarras  
D607,858 S \* 1/2010 Millora .... D14/138 AD  
D610,568 S 2/2010 Yu  
D611,923 S 3/2010 Hong et al.  
D625,296 S \* 10/2010 Chiu .... D14/218  
D627,778 S 11/2010 Akana et al.

(Continued)

**OTHER PUBLICATIONS**

Nokia Asha 502 Dual SIM telephone, announced Oct. 2013, [online],  
[site visited Sep. 25, 2014]. Available from Internet, <URL: [http://www.gsmarena.com/nokia\\_asha\\_502\\_dual\\_sim-5795.php](http://www.gsmarena.com/nokia_asha_502_dual_sim-5795.php)>.\*

(Continued)

**Related U.S. Application Data**

(63) Continuation-in-part of application No. 29/446,577,  
filed on Feb. 25, 2013.  
(51) **LOC (10) Cl.** ..... **14-03**  
(52) **U.S. Cl.**  
USPC ..... **D14/248**  
(58) **Field of Classification Search**  
CPC ..... H04M 1/02; H04M 1/0202-1/035;  
H04M 1/0235; H04M 1/0237; H04M 1/0239;  
H04M 2250/22; H04M 1/03; H04M 1/23;  
H04M 1/72519; G06F 1/1626  
USPC ..... D14/138 G, 138 AD, 138 R, 496, 203.1,  
D14/203.3, 203.5, 203.7, 248, 218, 341,  
D14/138 AC; 455/575.1, 556.1, 556.2,  
455/575.3, 575.4, 566; D21/517, 329, 331;  
379/433.01, 433.04; D13/168;  
361/679.3, 679.56; D10/65, 78  
See application file for complete search history.

*Primary Examiner* — Jeffrey D Asch  
(74) *Attorney, Agent, or Firm* — Banner & Witcoff, Ltd.

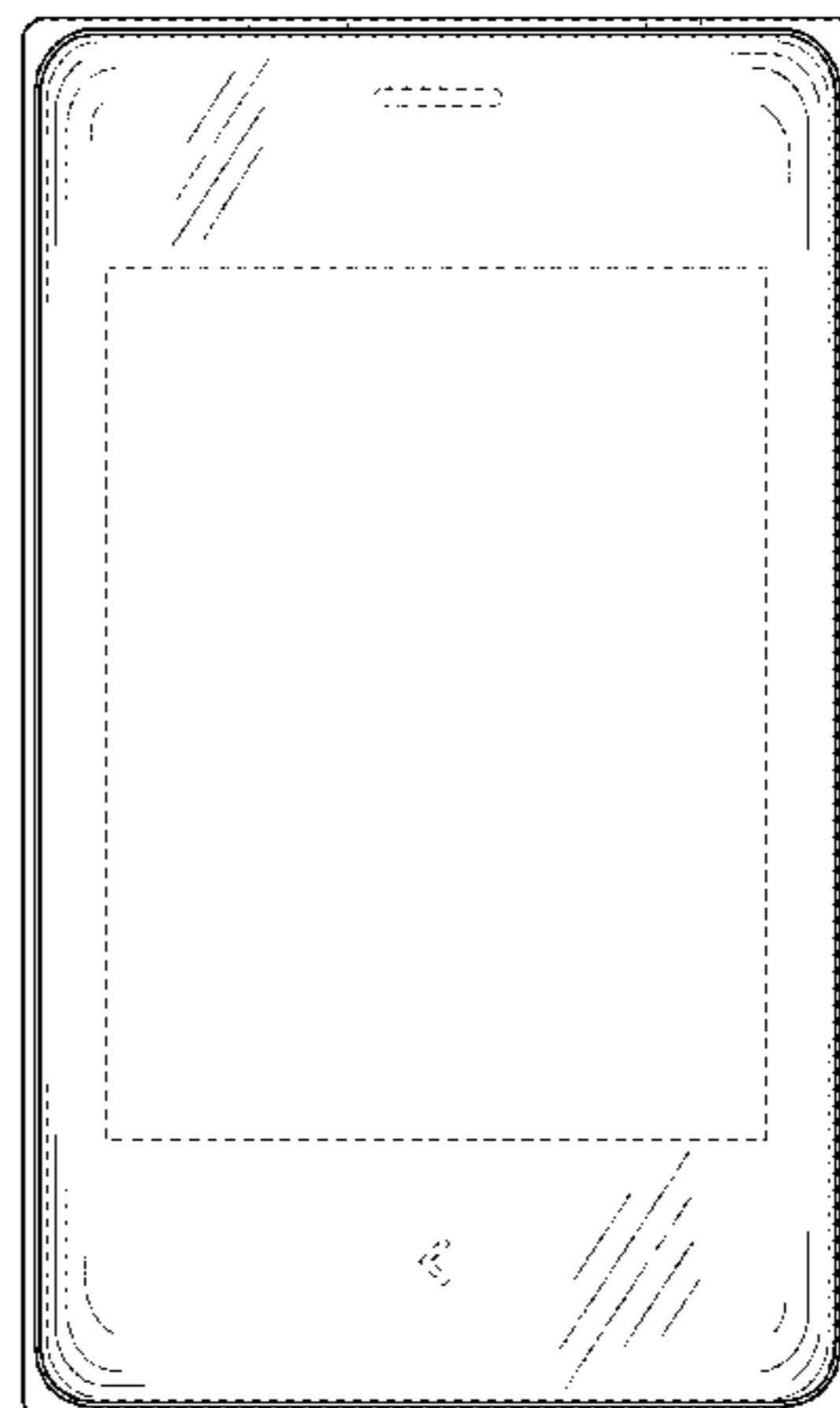
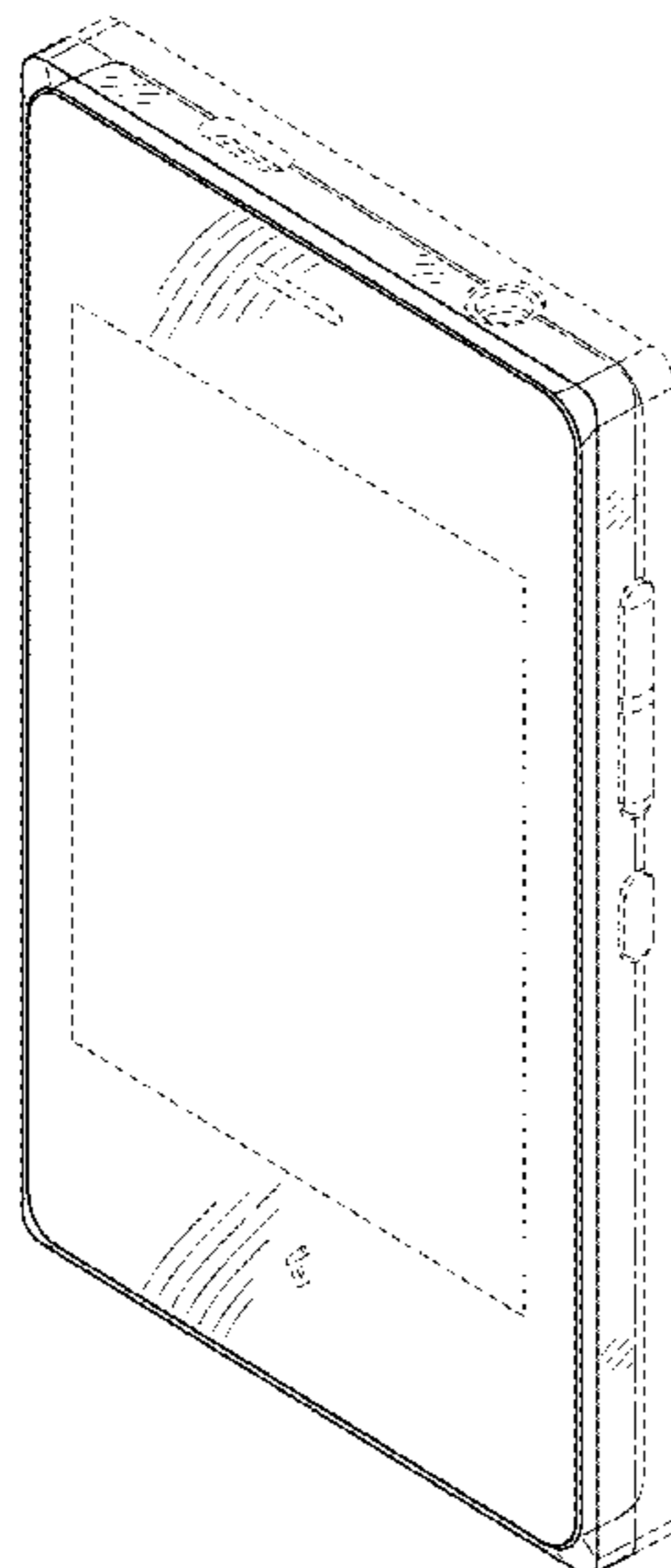
(57) **CLAIM**  
The ornamental design for a handset, as shown and described.

**DESCRIPTION**

FIG. 1 is a perspective view of a handset showing our new design;  
FIG. 2 is a front view thereof;  
FIG. 3 is a rear view thereof;  
FIG. 4 is a right side view thereof;  
FIG. 5 is a left side view thereof;  
FIG. 6 is a top view thereof; and,  
FIG. 7 is a bottom view thereof.  
The broken lines of the handset in FIGS. 1-7 and the unshaded regions therein show non-claimed portions of the handset and form no part of the claimed design.

(56) **References Cited**  
U.S. PATENT DOCUMENTS  
D562,285 S 2/2008 Lim  
D572,694 S \* 7/2008 Park ..... D14/138 G  
D580,387 S 11/2008 Andre et al.

**1 Claim, 3 Drawing Sheets**



(56)

References Cited

U.S. PATENT DOCUMENTS

D631,458 S \* 1/2011 Liao et al. .... D14/138 G  
 D633,461 S 3/2011 Kim et al.  
 D633,888 S 3/2011 Eguchi  
 D635,954 S 4/2011 Aarras  
 D635,967 S 4/2011 Montin et al.  
 D636,364 S 4/2011 Sandberg  
 D637,992 S 5/2011 Tom et al.  
 D639,277 S \* 6/2011 Alvarado ..... D14/218  
 D650,350 S 12/2011 Wong  
 D651,998 S 1/2012 Marsh  
 D652,000 S 1/2012 Liu  
 D652,403 S 1/2012 Fahlgren et al.  
 D653,640 S \* 2/2012 Kwon et al. .... D14/138 G  
 D653,641 S 2/2012 Chen  
 D653,645 S 2/2012 Park  
 D654,464 S \* 2/2012 Han ..... D14/138 G  
 D658,620 S 5/2012 Lylyk  
 D659,114 S 5/2012 Rayn  
 D662,486 S 6/2012 Faoro  
 D662,489 S 6/2012 Yeo  
 D664,130 S 7/2012 Lee  
 D665,372 S \* 8/2012 Park et al. .... D14/138 G  
 D665,761 S 8/2012 Russo  
 D665,764 S 8/2012 Shi et al.  
 D665,766 S \* 8/2012 Eguchi ..... D14/138 G  
 D668,238 S \* 10/2012 Kim ..... D14/138 G  
 D668,629 S 10/2012 Chung  
 D669,053 S 10/2012 Forsyth  
 D669,054 S 10/2012 Han  
 D669,446 S 10/2012 Cho  
 D669,448 S 10/2012 Hong  
 8,280,447 B2 10/2012 Kwon et al.  
 D673,132 S \* 12/2012 Cho ..... D14/138 G  
 D675,589 S \* 2/2013 Han et al. .... D14/138 G  
 D676,011 S \* 2/2013 Park et al. .... D14/138 G  
 D676,012 S 2/2013 Suk  
 D676,402 S 2/2013 Han  
 D676,459 S 2/2013 Hofer et al.  
 D677,236 S 3/2013 Kim et al.  
 D679,269 S 4/2013 Fahlgren et al.  
 D680,092 S \* 4/2013 Tsai et al. .... D14/138 G  
 D681,056 S \* 4/2013 Akana et al. .... D14/496  
 D689,840 S \* 9/2013 Lu ..... D14/138 G  
 D693,324 S \* 11/2013 Wang ..... D14/138 G  
 D695,702 S \* 12/2013 Kim ..... D14/138 G  
 8,716,598 B2 \* 5/2014 Pan ..... 174/50  
 D707,650 S \* 6/2014 Min et al. .... D14/138 G  
 8,787,985 B2 \* 7/2014 Seo ..... 455/566  
 D713,370 S \* 9/2014 Cha et al. .... D14/138 G  
 D713,371 S \* 9/2014 Daniel ..... D14/138 G  
 D716,748 S \* 11/2014 Wang ..... D14/138 G  
 D717,263 S \* 11/2014 Wozniak ..... D14/138 G  
 D717,285 S \* 11/2014 Fahlgren et al. .... D14/248  
 D720,324 S \* 12/2014 Wang et al. .... D14/138 G  
 D720,711 S \* 1/2015 Lin et al. .... D14/138 G  
 2013/0281025 A1 \* 10/2013 Reunamaki et al. .... 455/67.11

OTHER PUBLICATIONS

Nokia Asha 500 Dual SIM telephone, announced Oct. 2013, [online], [site visited Sep. 25, 2014]. Available from Internet, <URL: [http://www.gsmarena.com/nokia\\_asha\\_500\\_dual\\_sim-5793.php](http://www.gsmarena.com/nokia_asha_500_dual_sim-5793.php)>.\*  
 Nokia Asha 500 telephone, announced Oct. 2013, [online], [site visited Sep. 25, 2014]. Available from Internet, <URL: [http://www.gsmarena.com/nokia\\_asha\\_500-5792.php](http://www.gsmarena.com/nokia_asha_500-5792.php)>.\*  
 Nokia Asha 503 telephone, announced Oct. 2013, [online], [site visited Sep. 25, 2014]. Available from Internet, <URL: [http://www.gsmarena.com/nokia\\_asha\\_503-5794.php](http://www.gsmarena.com/nokia_asha_503-5794.php)>.\*

Nokia X+ telephone, announced Feb. 2014, [online], [site visited Sep. 25, 2014]. Available from Internet, <URL: [http://www.gsmarena.com/nokia\\_x+-6147.php](http://www.gsmarena.com/nokia_x+-6147.php)>.\*  
 Acer Liquid Z500 telephone, announced Sep. 2014, [online], [site visited Sep. 25, 2014]. Available from Internet, <URL: [http://www.gsmarena.com/acer\\_liquid\\_z500-6635.php](http://www.gsmarena.com/acer_liquid_z500-6635.php)>.\*  
 Nokia Asha 501 telephone, announced May 2013, [online]. [Retrieved on Oct. 3, 2013]. Available from Internet, <URL: [http://www.gsmarena.com/nokia\\_asha\\_501-5445.php](http://www.gsmarena.com/nokia_asha_501-5445.php)> .  
 Samsung Star 3 Duos 55222 telephone, announced Jan. 2012, [online]. [Retrieved on Oct. 3, 2013]. Available from Internet, <URL: [http://www.gsmarena.com/samsung\\_star\\_3\\_duos\\_s5222-4447.php](http://www.gsmarena.com/samsung_star_3_duos_s5222-4447.php)>.  
 Samsung Galaxy Ace S5830 telephone, announced Jan. 2011, [online]. [Retrieved on Oct. 3, 2013]. Available from Internet, <URL: [http://www.gsmarena.com/samsung\\_galaxy\\_ace\\_s5830-3724.php](http://www.gsmarena.com/samsung_galaxy_ace_s5830-3724.php)>.  
 LG Optimus L3 II E430 telephone, announced Feb. 2013, [online], [Retrieved on Oct. 3, 2013]. Available from Internet, <URL: [http://www.gsmarena.com/lg\\_optimus\\_l3\\_ii\\_e430-5292.php](http://www.gsmarena.com/lg_optimus_l3_ii_e430-5292.php)>.  
 Spice M-5900 Flo TV Pro telephone, announced Aug. 2012, [online], [Retrieved on Oct. 3, 2013]. Available from Internet, <URL: [http://www.gsmarena.com/spice\\_m\\_5900\\_flo\\_tv\\_pro-5042.php](http://www.gsmarena.com/spice_m_5900_flo_tv_pro-5042.php)>.  
 Samsung Wave M S7250 telephone, announced Aug. 2011, [online], [Retrieved on Oct. 3, 2013]. Available from Internet, <URL: [http://www.gsmarena.com/samsung\\_wave\\_m\\_s7250-4054.php](http://www.gsmarena.com/samsung_wave_m_s7250-4054.php)>.  
 LG Optimus L3 E400 telephone, announced Jan. 2012, [online], [Retrieved on Oct. 3, 2013]. Available from Internet, <URL: [http://www.gsmarena.com/lg\\_optimus\\_l3\\_e400-4461.php](http://www.gsmarena.com/lg_optimus_l3_e400-4461.php)>.  
 Nokia N9 by Nokia Corporation, 1 full page of color photograph, disclosed on or about Jun. 2011.  
 Nokia Lumia 800 by Nokia Corporation, 1 full page of color photograph, disclosed on or about Oct. 2011.  
 Nokia N8 by Nokia Corporation, 1 full page of color photograph, disclosed on or about Apr. 2011.  
 Nokia 700 by Nokia Corporation, 1 full page of color photograph, disclosed on or about Aug. 2011.  
 Nokia C5-03 by Nokia Corporation, 1 full page of color photograph, disclosed on or about Oct. 2010.  
 Nokia 500 by Nokia Corporation, 1 full page of color photograph, disclosed on or about Aug. 2011.  
 Nokia E7 by Nokia Corporation, 1 full page of color photograph, disclosed on or about Sep. 2010.  
 Nokia N900 by Nokia Corporation, 1 full page of color photograph, disclosed on or about Aug. 2009.  
 Nokia C6-01 by Nokia Corporation, 1 full page of color photograph, disclosed on or about Sep. 2010.  
 Nokia X6 by Nokia Corporation, 1 full page of color photograph, disclosed on or about Sep. 2009.  
 Nokia 603 by Nokia Corporation, 1 full page of color photograph, disclosed on or about Oct. 2011.  
 Nokia C5-06 by Nokia Corporation, 1 full page of color photograph, disclosed on or about Oct. 2011.  
 Nokia N950 by Nokia Corporation, 1 full page of color photograph, disclosed on or about Jun. 2011.  
 Nokia 5250 by Nokia Corporation, 1 full page of color photograph, disclosed on or about Aug. 2010.  
 Nokia 5530 Xpress Music by Nokia Corporation, 1 full page of color photograph, disclosed on or about Jun. 2009.  
 iPhone 4 Review, Jun. 28, 2010 [retrieved Mar. 29, 2013]. Retrieved from internet, <URL: <http://gizmodo.com/5573952/iphone-4-review>>.  
 A Week With the iPhone 5, Sep. 28, 2012 [retrieved Mar. 29, 2013]. Retrieved from internet, <URL: <http://gizmodo.com/5946599/a-week-with-the-iphone-5>>.

\* cited by examiner

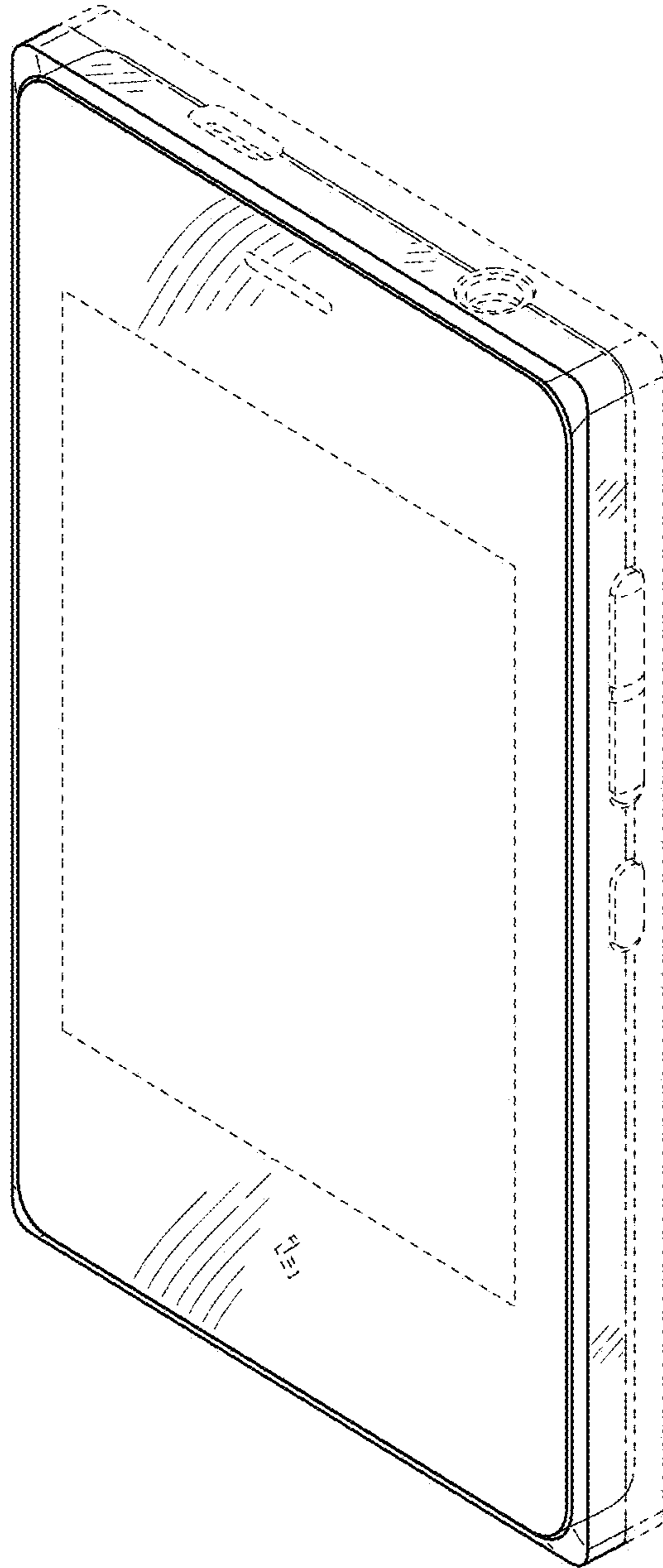


FIG. 1

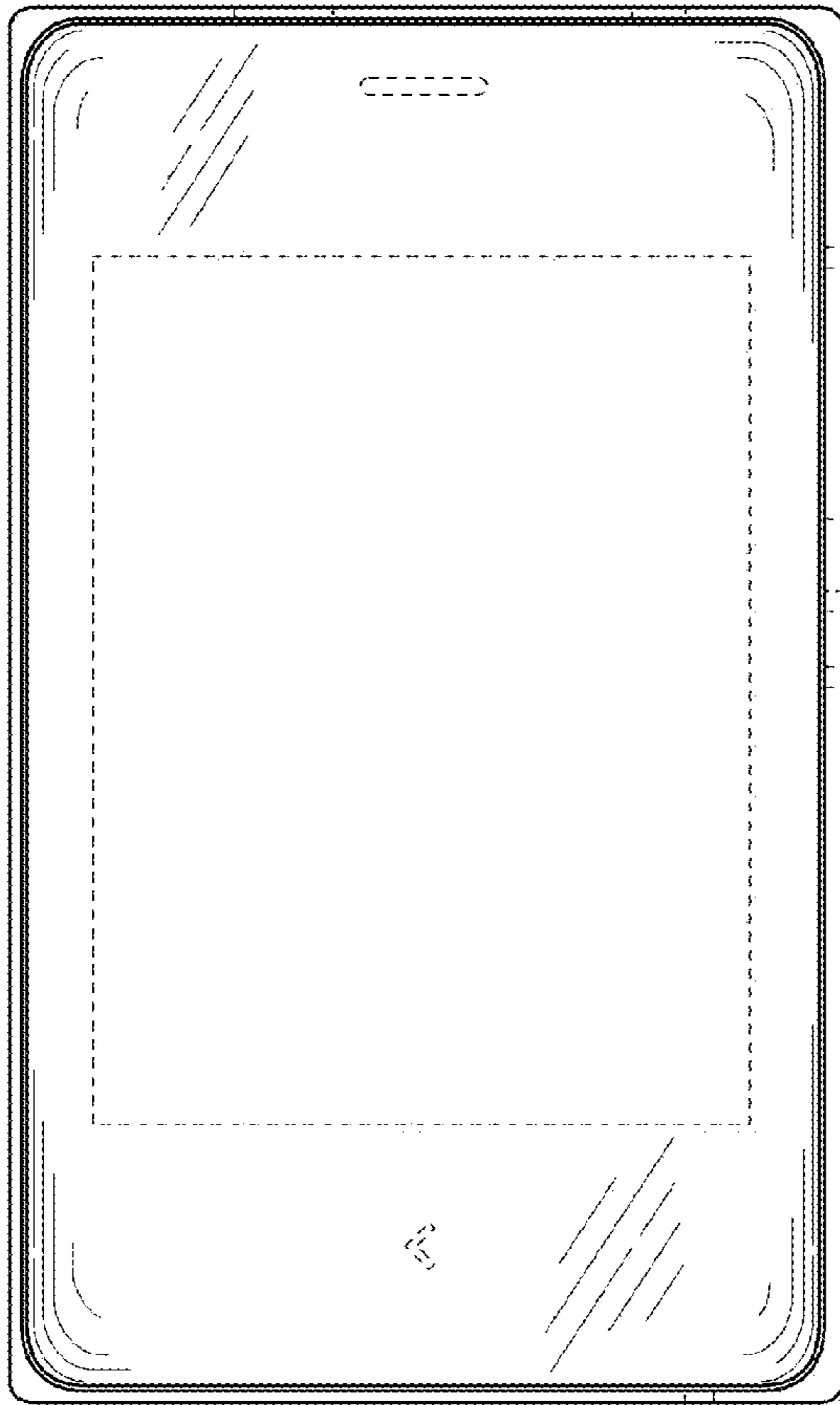


FIG. 2

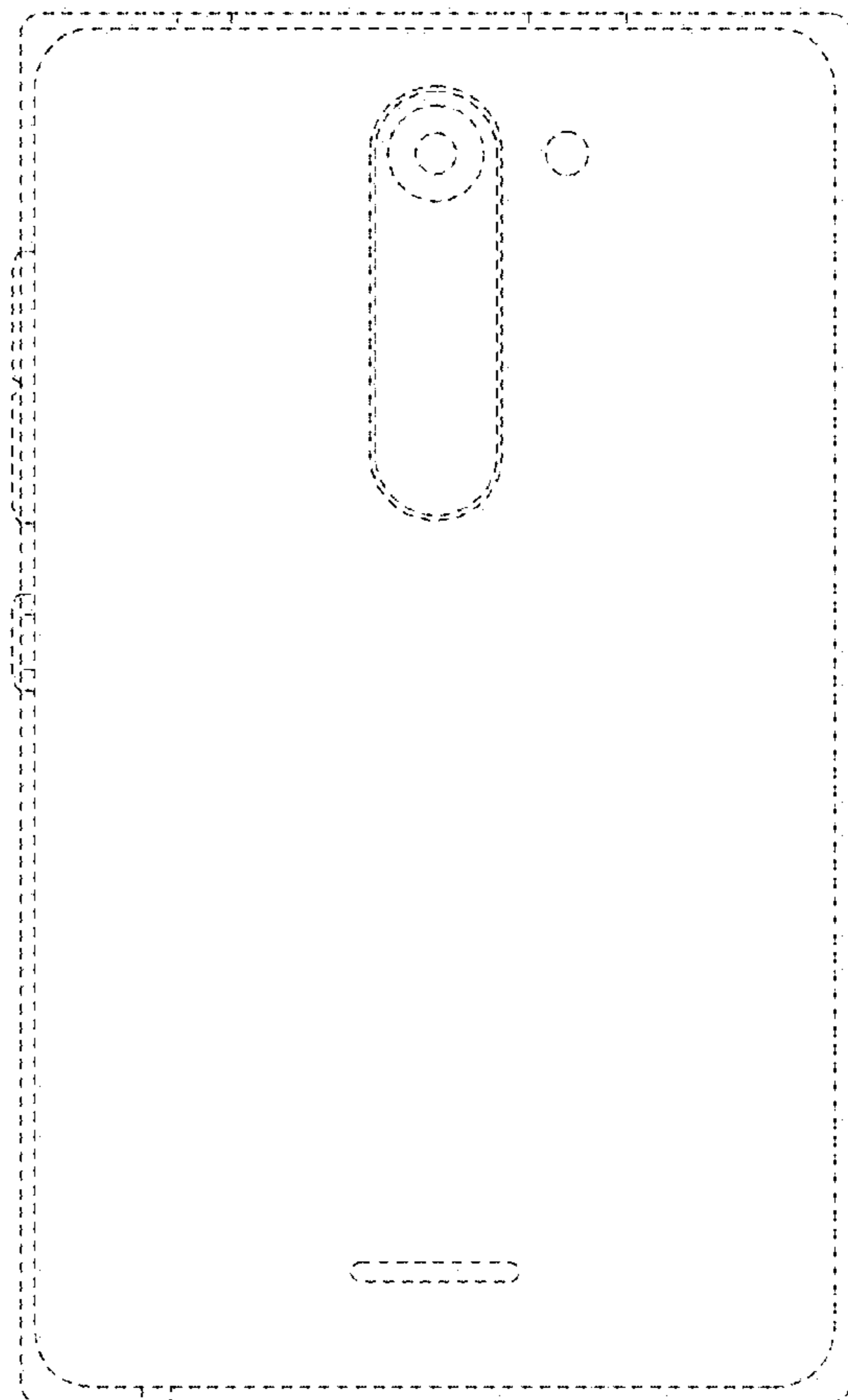


FIG. 3

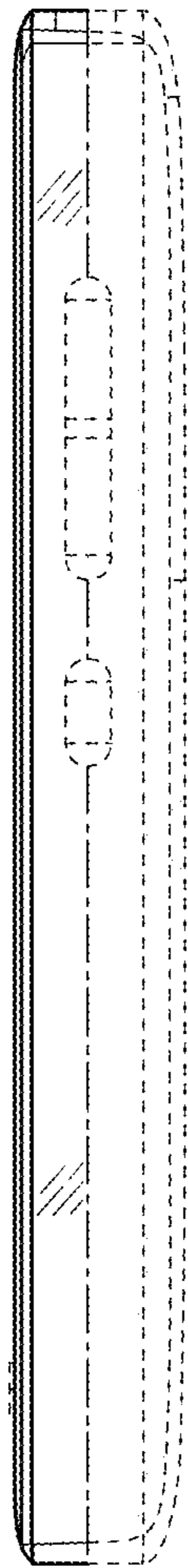


FIG. 4

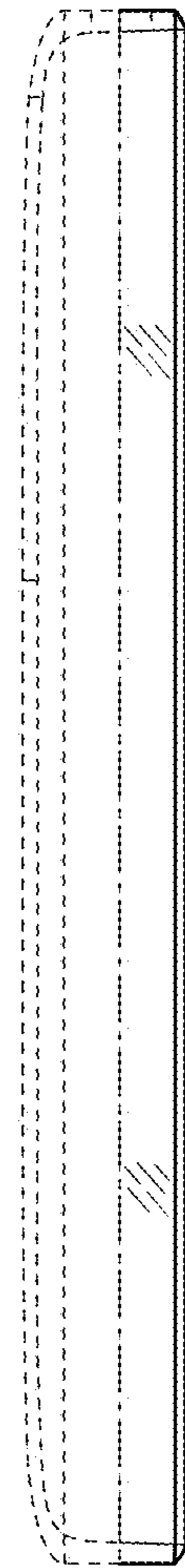


FIG. 5

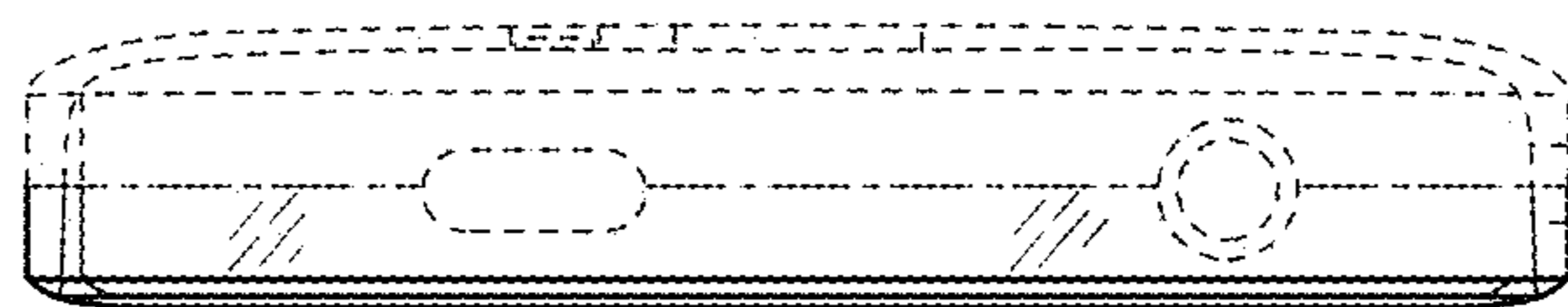


FIG. 6

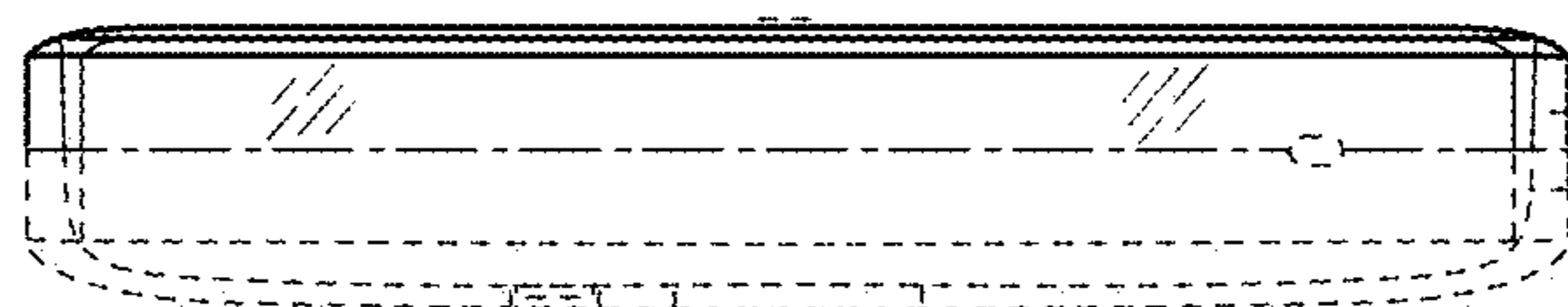


FIG. 7