



US00D726156S

(12) **United States Design Patent**
Gillespie-Brown et al.

(10) **Patent No.:** **US D726,156 S**

(45) **Date of Patent:** **** Apr. 7, 2015**

(54) **SLANTED SPEAKER ENCLOSURE**

(71) Applicants: **Jon Simon Gillespie-Brown**, Portola Valley, CA (US); **Thomas Erik Meyerhoffer**, Montara, CA (US)

(72) Inventors: **Jon Simon Gillespie-Brown**, Portola Valley, CA (US); **Thomas Erik Meyerhoffer**, Montara, CA (US)

(**) Term: **14 Years**

(21) Appl. No.: **29/457,064**

(22) Filed: **Jun. 6, 2013**

(51) **LOC (10) Cl.** **14-03**

(52) **U.S. Cl.**
USPC **D14/216**

(58) **Field of Classification Search**
USPC D14/167, 168, 170–172, 188, 192, D14/194–196, 204, 207, 209.1, 210–216, D14/219, 221, 222, 224, 496; 181/143, 144, 181/147, 148, 150, 153, 157, 198, 199; 381/300–303, 306, 332, 333, 336, 345, 381/361–364, 386, 388; 369/6–12
See application file for complete search history.

(56) **References Cited**

U.S. PATENT DOCUMENTS

5,332,014 A * 7/1994 Feig 141/110
D553,122 S * 10/2007 Solland D14/217
D563,946 S * 3/2008 Uehara D14/216
D602,911 S * 10/2009 Wang et al. D14/216

D643,844 S * 8/2011 Akana et al. D14/447
D662,939 S * 7/2012 Akana et al. D14/447
8,242,899 B2 * 8/2012 Albert et al. 340/506
D687,809 S * 8/2013 Bergmann et al. D14/209.1
8,525,689 B2 * 9/2013 Smith et al. 340/692
8,558,708 B2 * 10/2013 Albert et al. 340/635
8,591,482 B2 * 11/2013 Westcott 604/273
D703,237 S * 4/2014 Choi et al. D14/502
D704,178 S * 5/2014 Kwak et al. D14/240

* cited by examiner

Primary Examiner — Keli L Hill

(74) *Attorney, Agent, or Firm* — Brian L. Michaelis; Seyfarth Shaw LLP

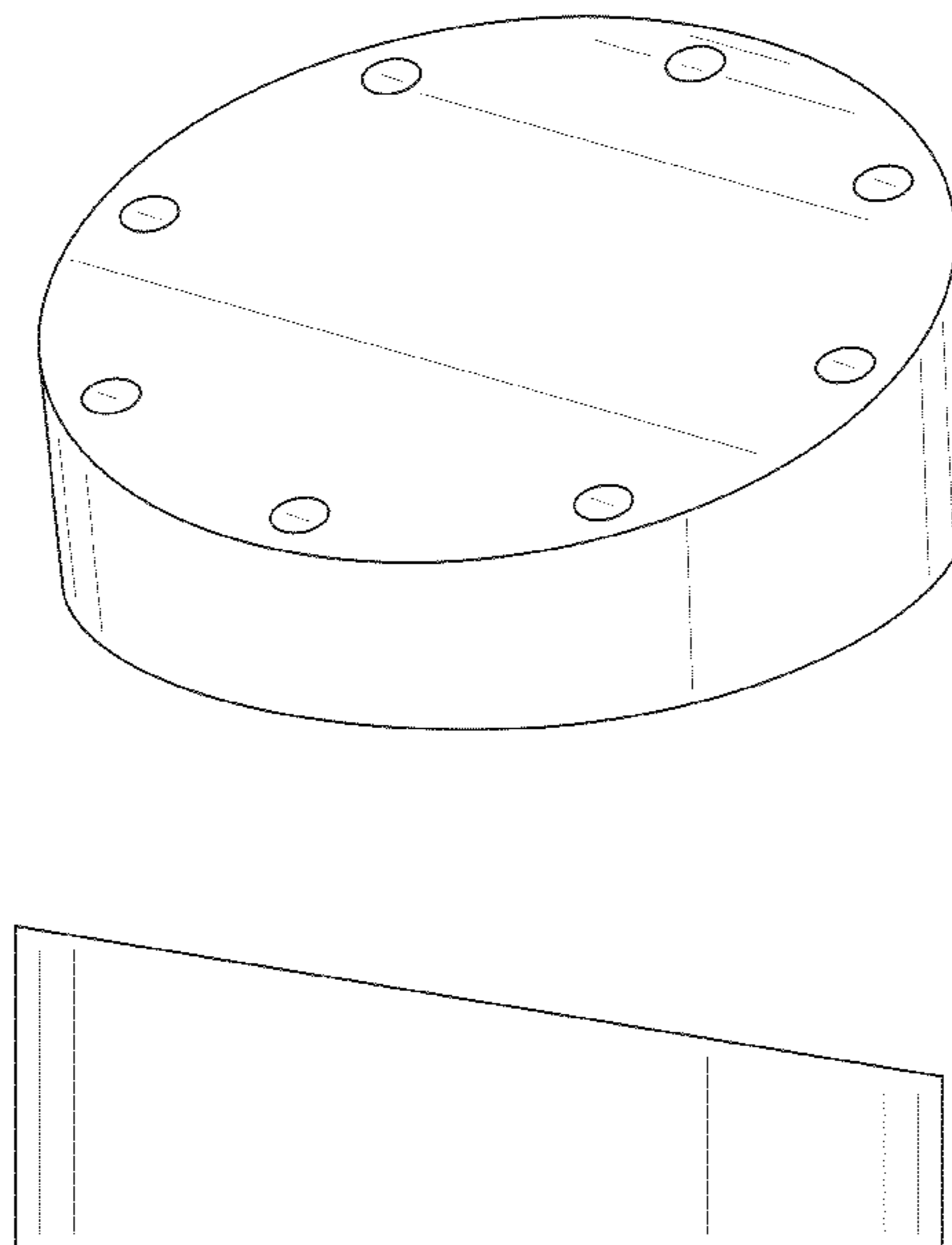
(57) **CLAIM**

The ornamental design for a slanted speaker enclosure, as shown and described.

DESCRIPTION

FIG. 1 is a front perspective view of a speaker enclosure showing the new design;
FIG. 2 is a front view of the speaker enclosure shown in FIG. 1;
FIG. 3 is a back view of the speaker enclosure shown in FIG. 1;
FIG. 4 is a left side view of the speaker enclosure shown in FIG. 1;
FIG. 5 is a right side view of the speaker enclosure shown in FIG. 1;
FIG. 6 is a top view of the speaker enclosure shown in FIG. 1; and,
FIG. 7 is a bottom view of the speaker enclosure shown in FIG. 1.

1 Claim, 7 Drawing Sheets



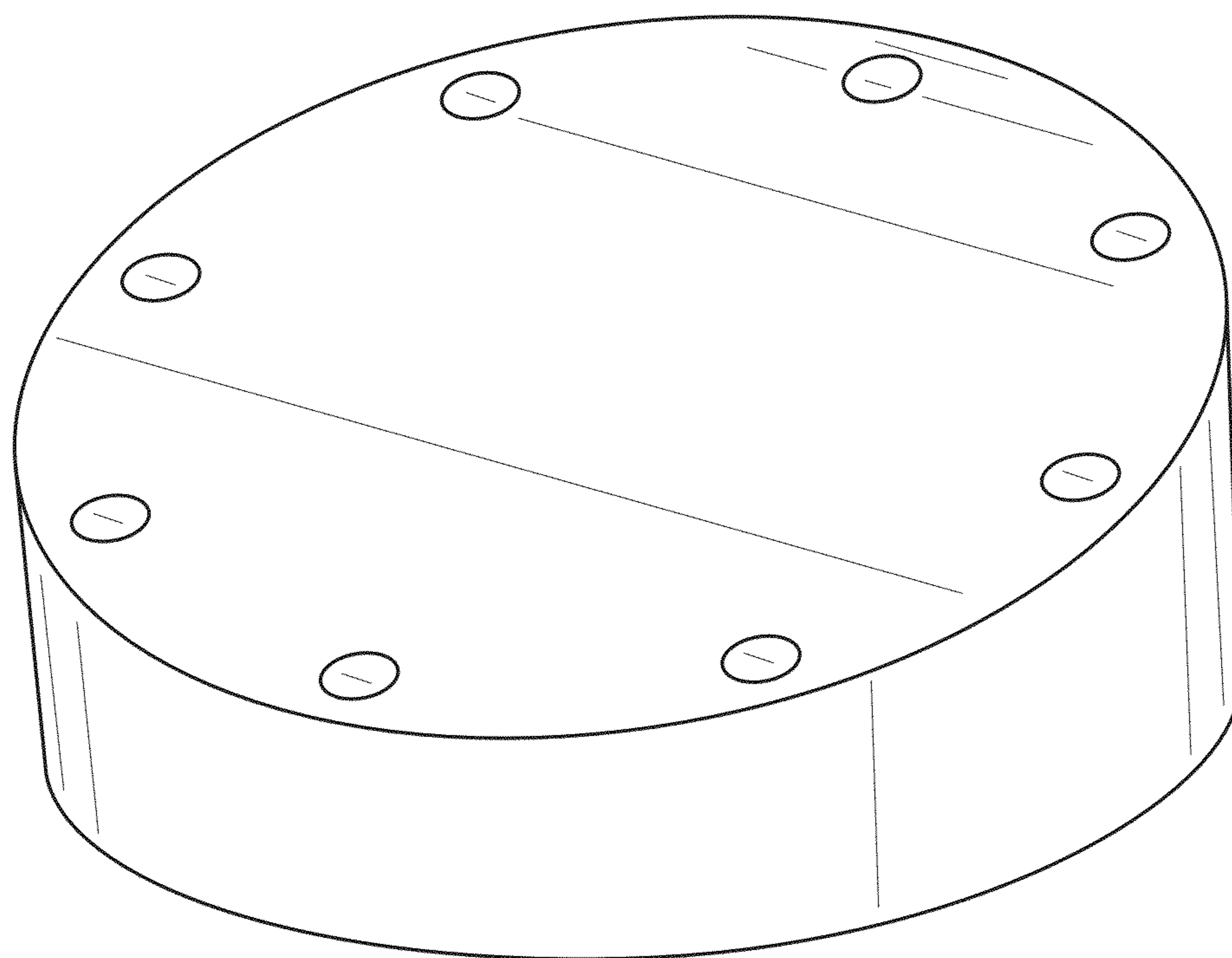


FIG. 1

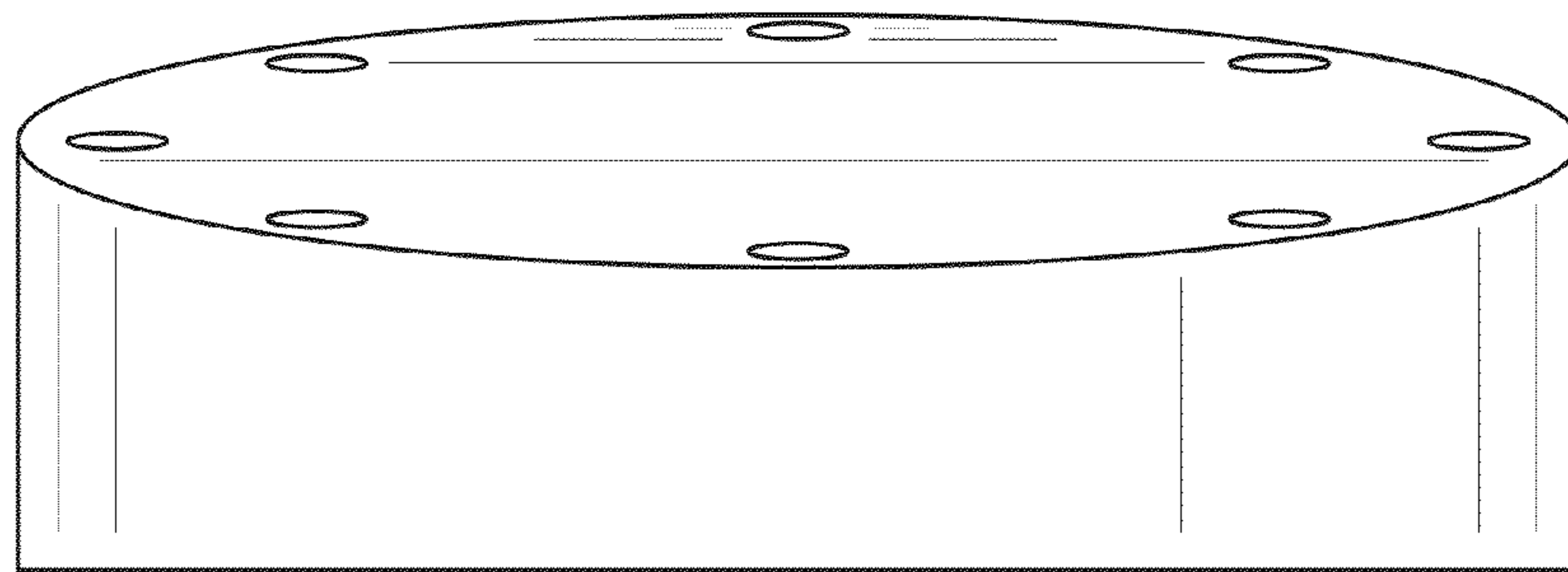


FIG. 2

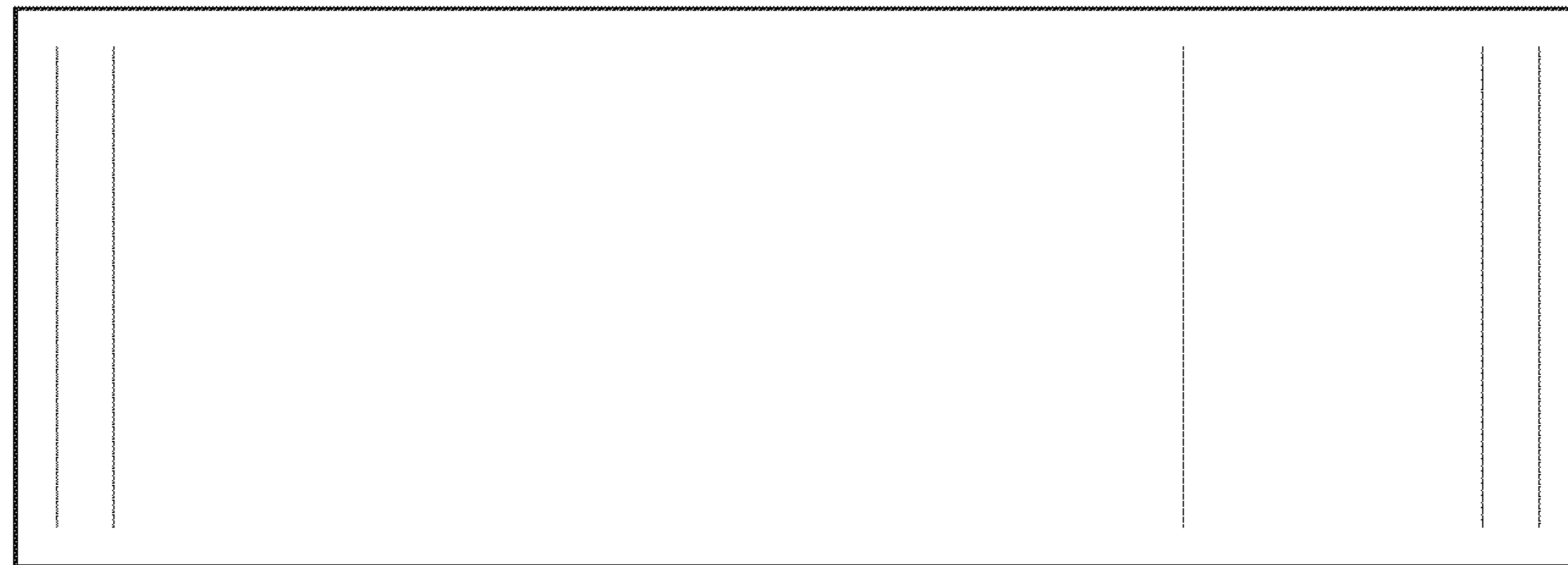


FIG. 3

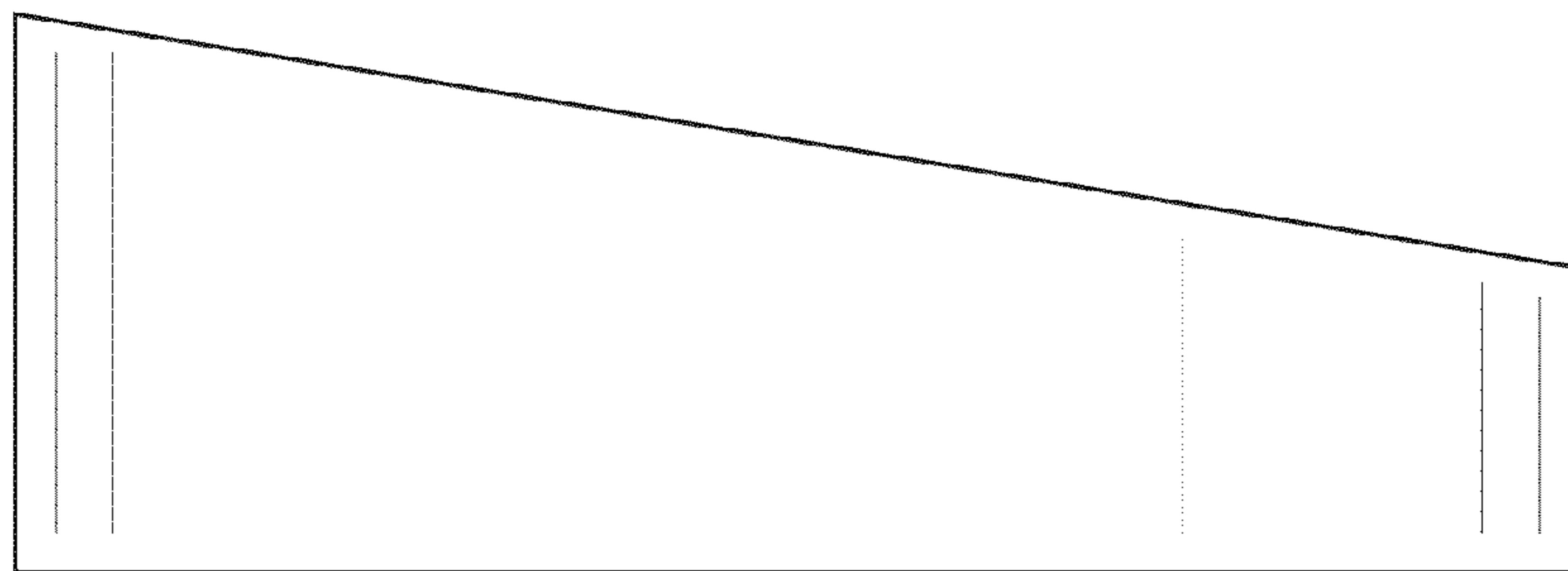


FIG. 4

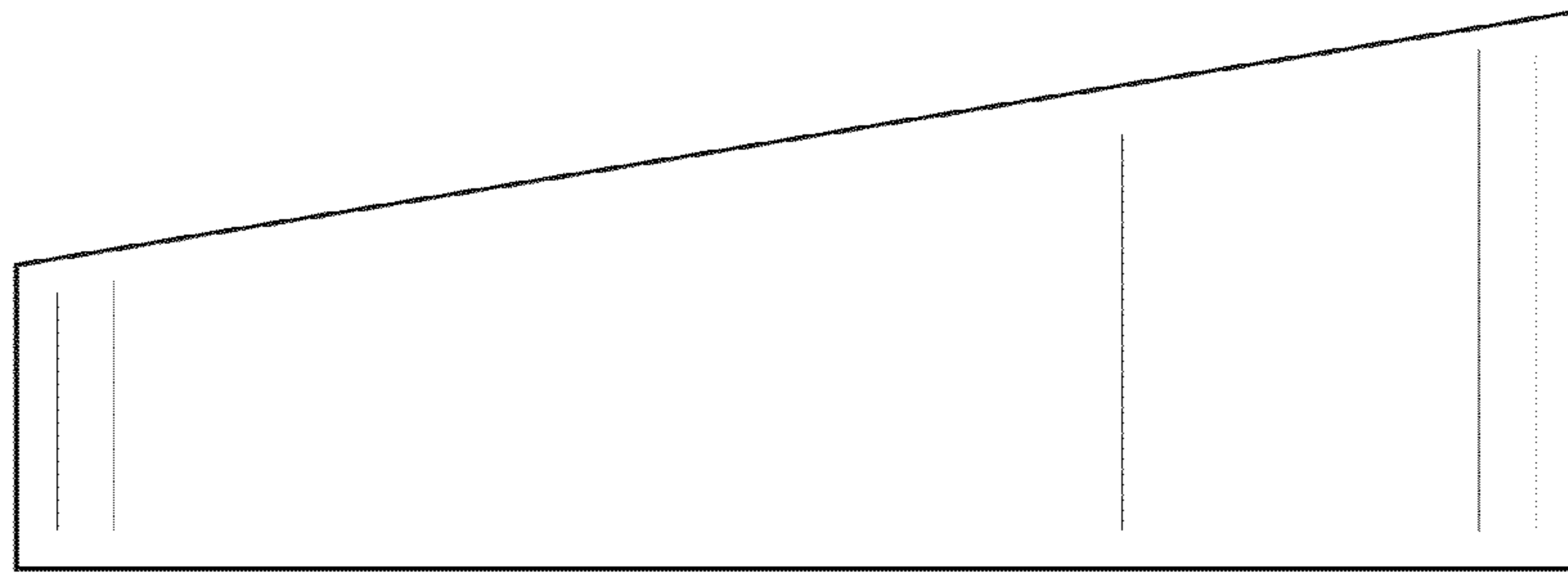


FIG. 5

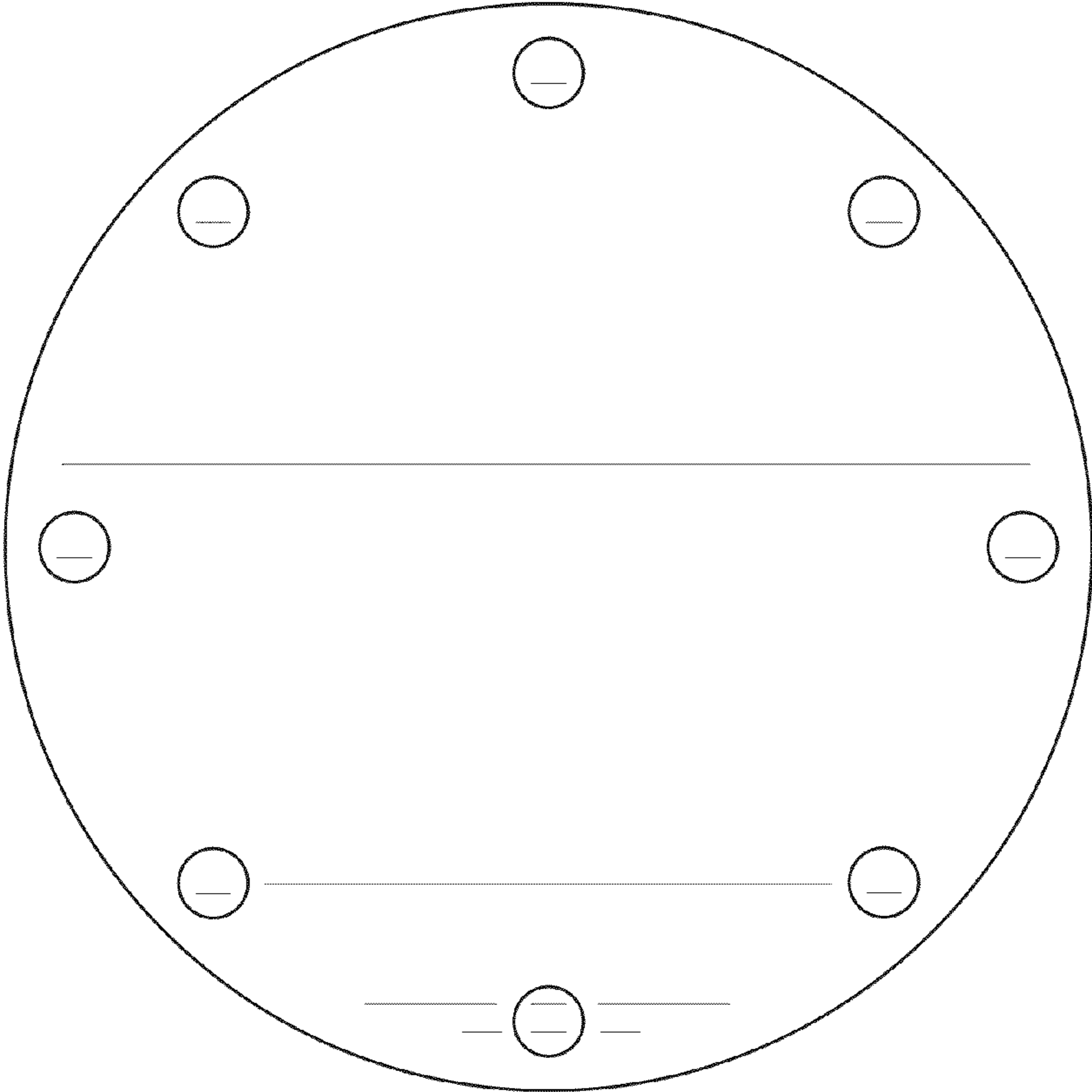


FIG. 6

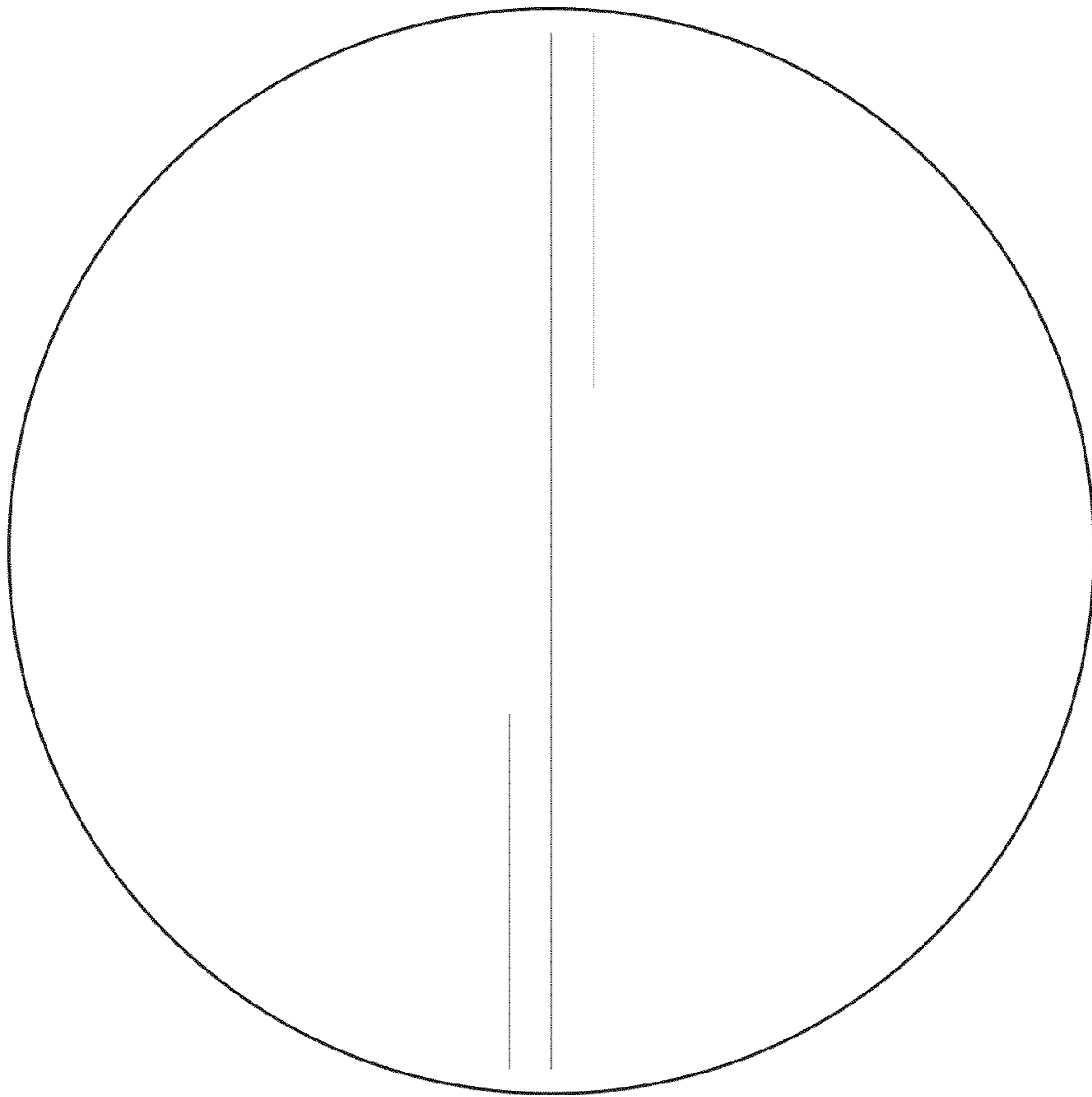


FIG. 7