



US00D726155S

(12) **United States Design Patent**
Cheng et al.

(10) **Patent No.:** **US D726,155 S**

(45) **Date of Patent:** **** Apr. 7, 2015**

(54) **PORTABLE WIRELESS SPEAKER**

(71) Applicants: **Lite-On Electronics (Guangzhou) Limited**, Guangzhou (CN); **Lite-On Technology Corporation**, Taipei (TW)

(72) Inventors: **Chi-Hsiang Cheng**, New Taipei (TW); **An-Chi Chang**, Taipei (TW)

(73) Assignees: **Lite-On Electronics (Guangzhou) Limited**, Guangzhou (CN); **Lite-On Technology Corporation**, Taipei (TW)

(**) Term: **14 Years**

(21) Appl. No.: **29/456,467**

(22) Filed: **May 31, 2013**

(51) **LOC (10) Cl.** **14-03**

(52) **U.S. Cl.**
USPC **D14/216**

(58) **Field of Classification Search**
USPC D14/167, 168, 170–172, 188, 192, D14/194–196, 204, 207, 209.1, 210–216, D14/219, 221, 222, 224, 496; 181/143, 144, 181/147, 148, 150, 153, 157, 198, 199; 381/300–303, 306, 332, 333, 336, 345, 381/361–364, 386, 388; 369/6–12
See application file for complete search history.

(56) **References Cited**

U.S. PATENT DOCUMENTS

2,896,737 A * 7/1959 Gellman 181/153
4,756,382 A * 7/1988 Hudson, III 181/156

D553,121 S * 10/2007 Gondo et al. D14/216
D555,636 S * 11/2007 Chen et al. D14/216
D573,579 S * 7/2008 Yamaguchi D14/500
D617,305 S * 6/2010 Chen et al. D14/172
D625,706 S * 10/2010 Graber D14/212
D644,206 S * 8/2011 Ponnert D14/216
D670,271 S * 11/2012 Tzeng D14/216
D691,117 S * 10/2013 Silvera D14/216
D706,743 S * 6/2014 Lukic et al. D14/204
D706,747 S * 6/2014 Yoshimura D14/209.1

* cited by examiner

Primary Examiner — Keli L Hill

(74) *Attorney, Agent, or Firm* — Li & Cai Intellectual Property (USA) Office

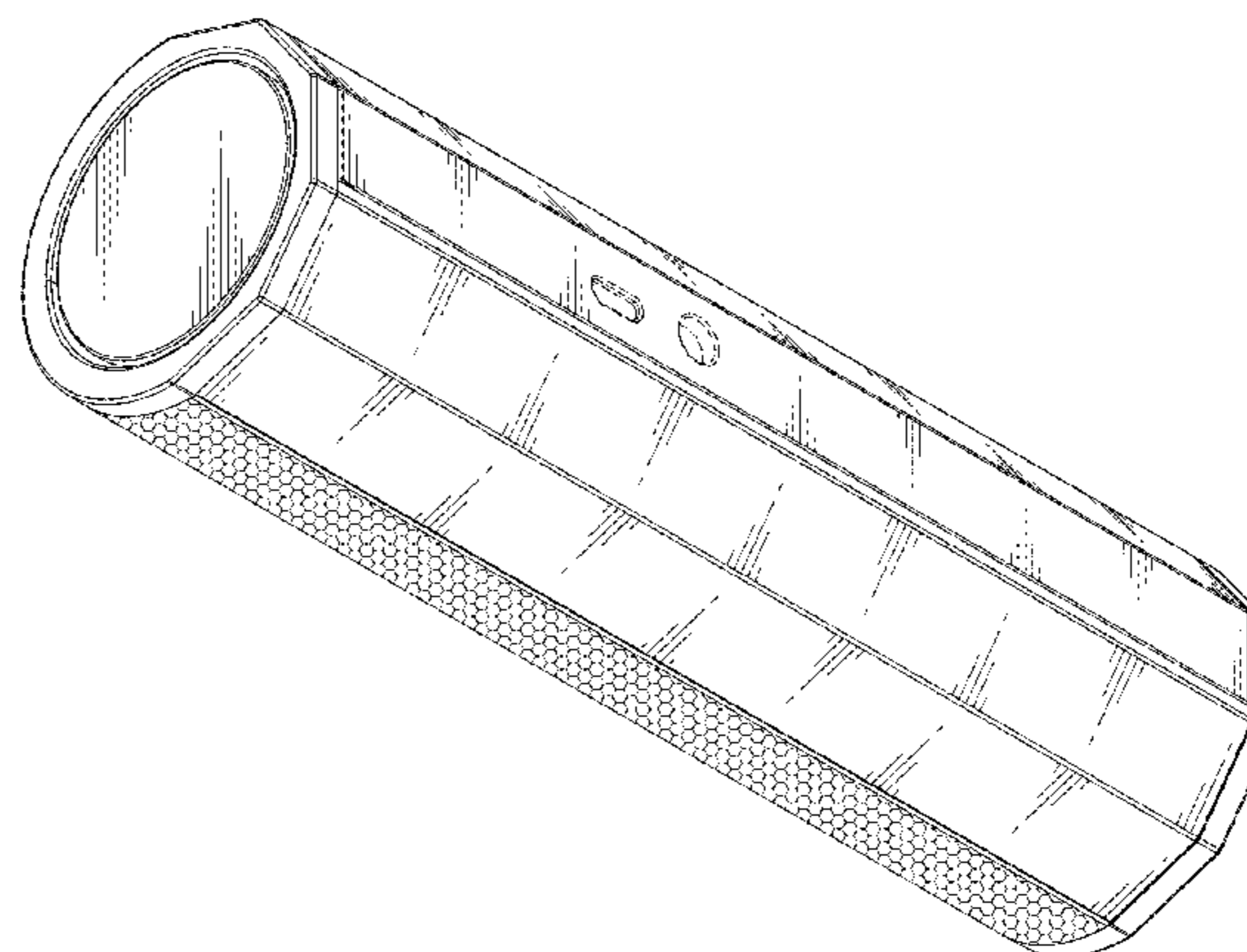
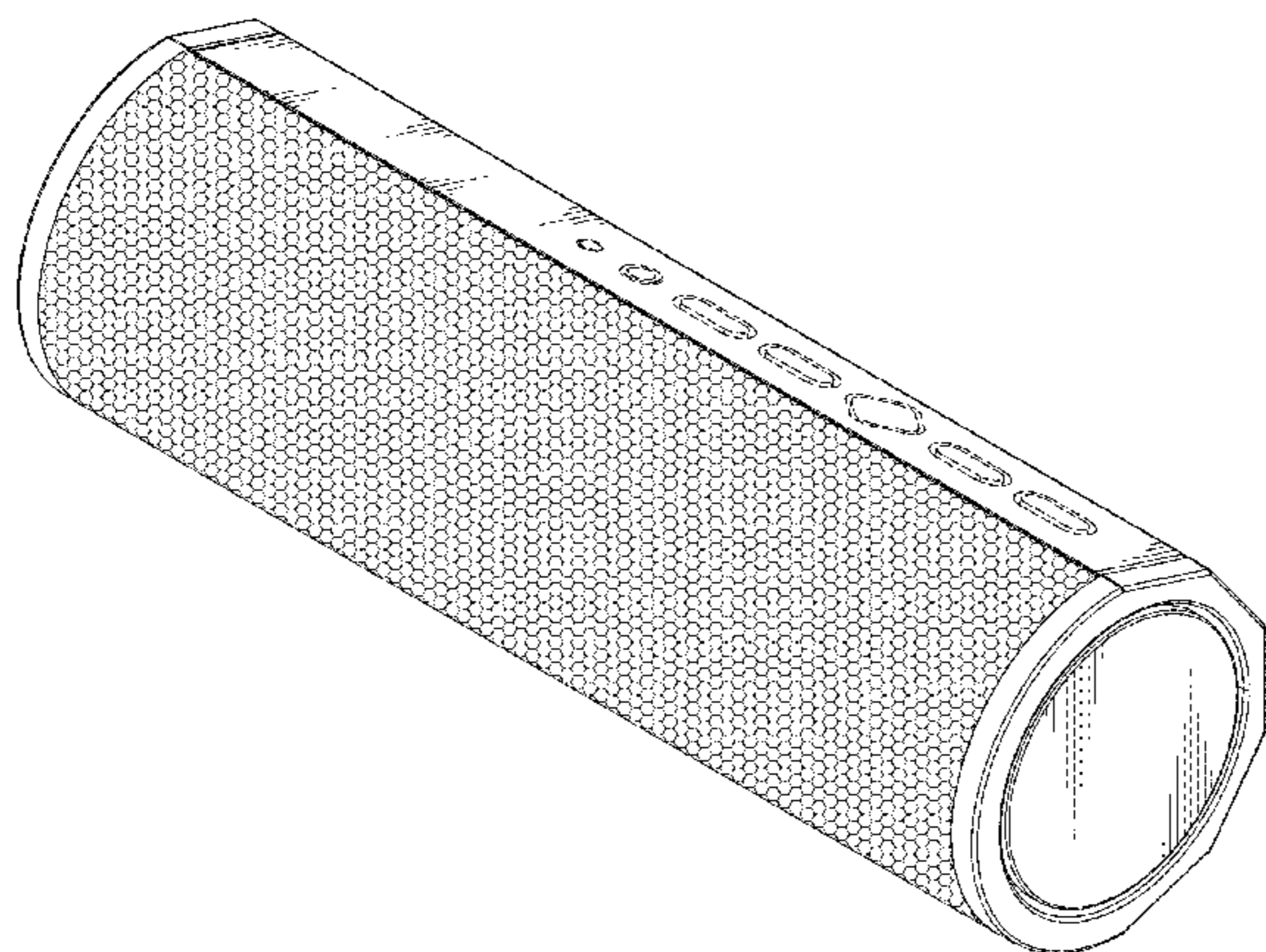
(57) **CLAIM**

The ornamental design for a “portable wireless speaker,” as shown and described.

DESCRIPTION

FIG. 1 is a perspective view of a portable wireless speaker showing our new design;
FIG. 2 is a front view thereof;
FIG. 3 is a rear view thereof;
FIG. 4 is a left side view thereof;
FIG. 5 is a right side view thereof;
FIG. 6 is a top view thereof;
FIG. 7 is a bottom view thereof;
FIG. 8 is a perspective view viewed from another visual angle thereof; and,
FIG. 9 is a perspective view showing the practical usage thereof.
The broken lines depict portions of the portable wireless speaker which form no part of the claimed design.

1 Claim, 8 Drawing Sheets



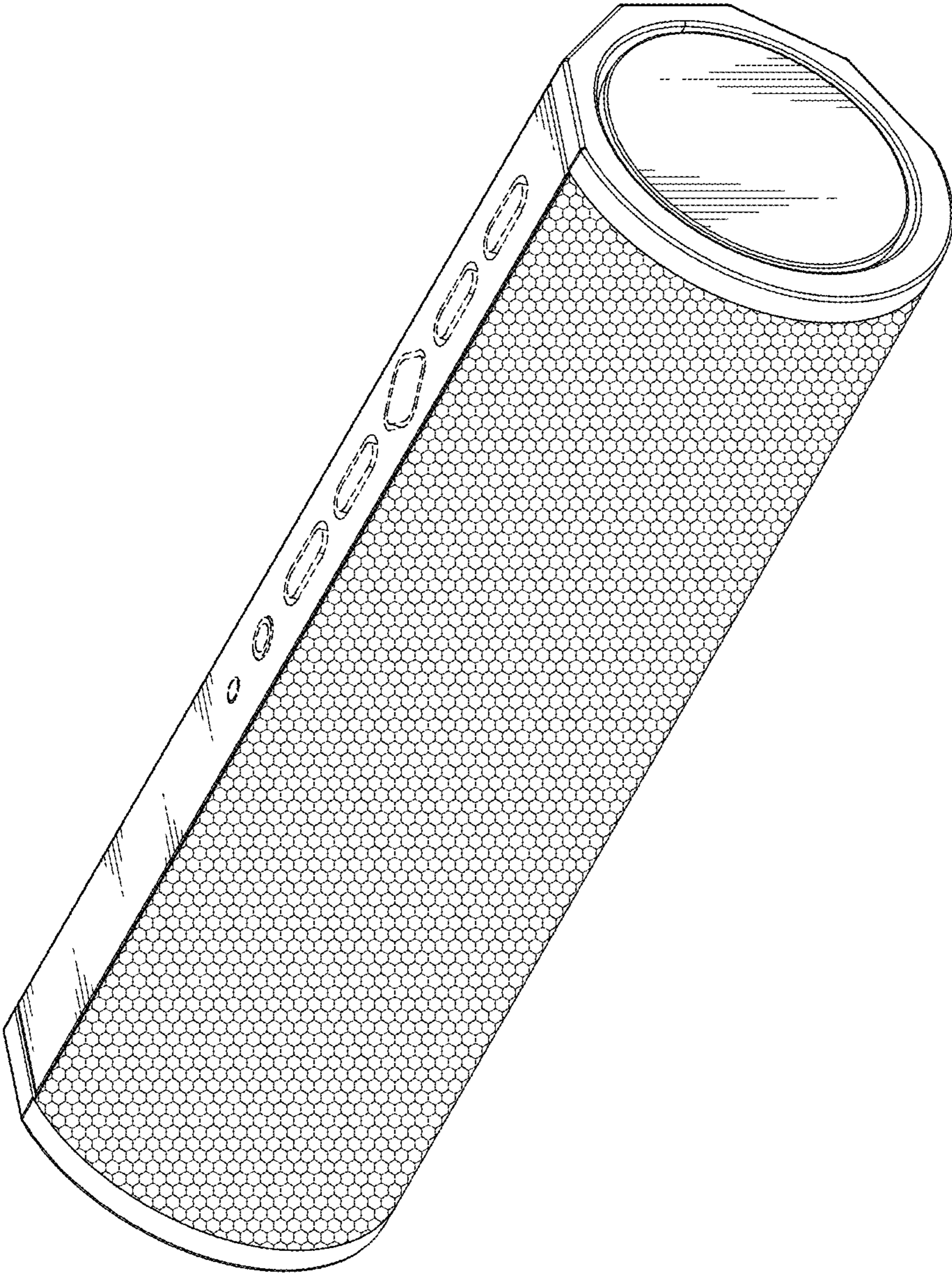


FIG.1

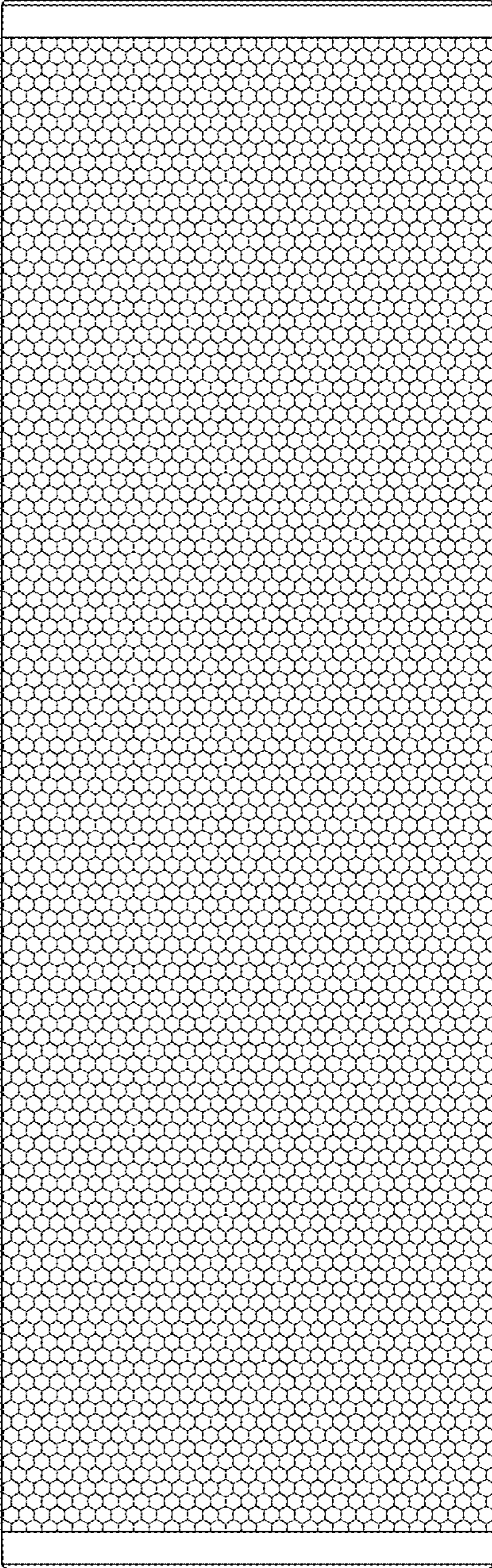


FIG.2

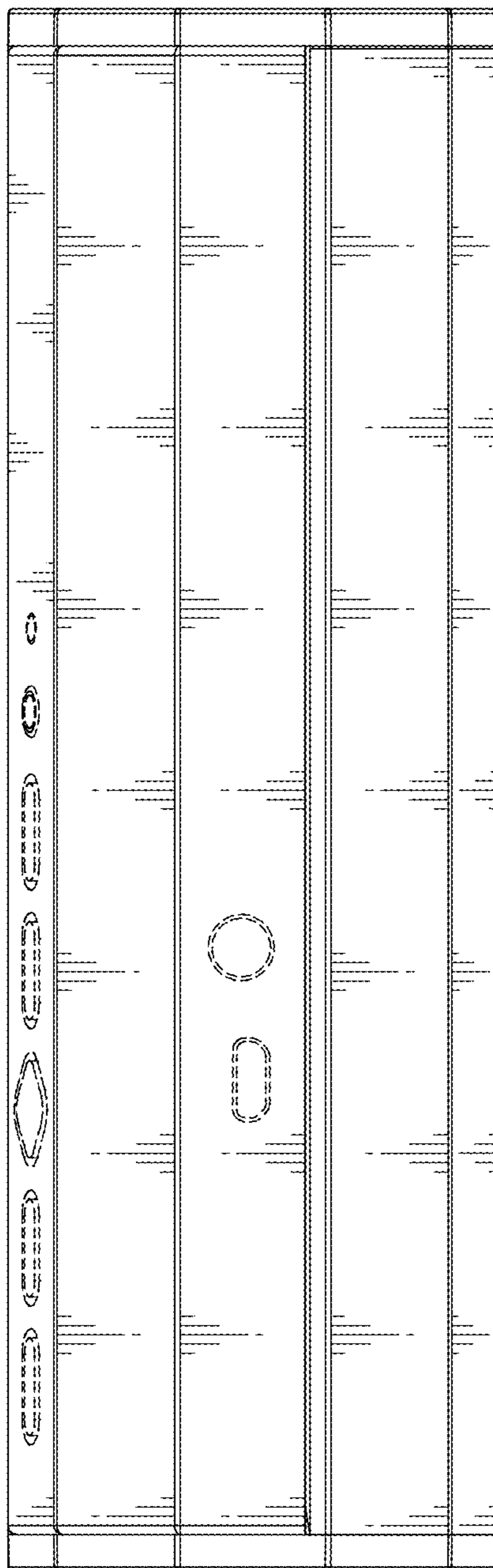


FIG.3

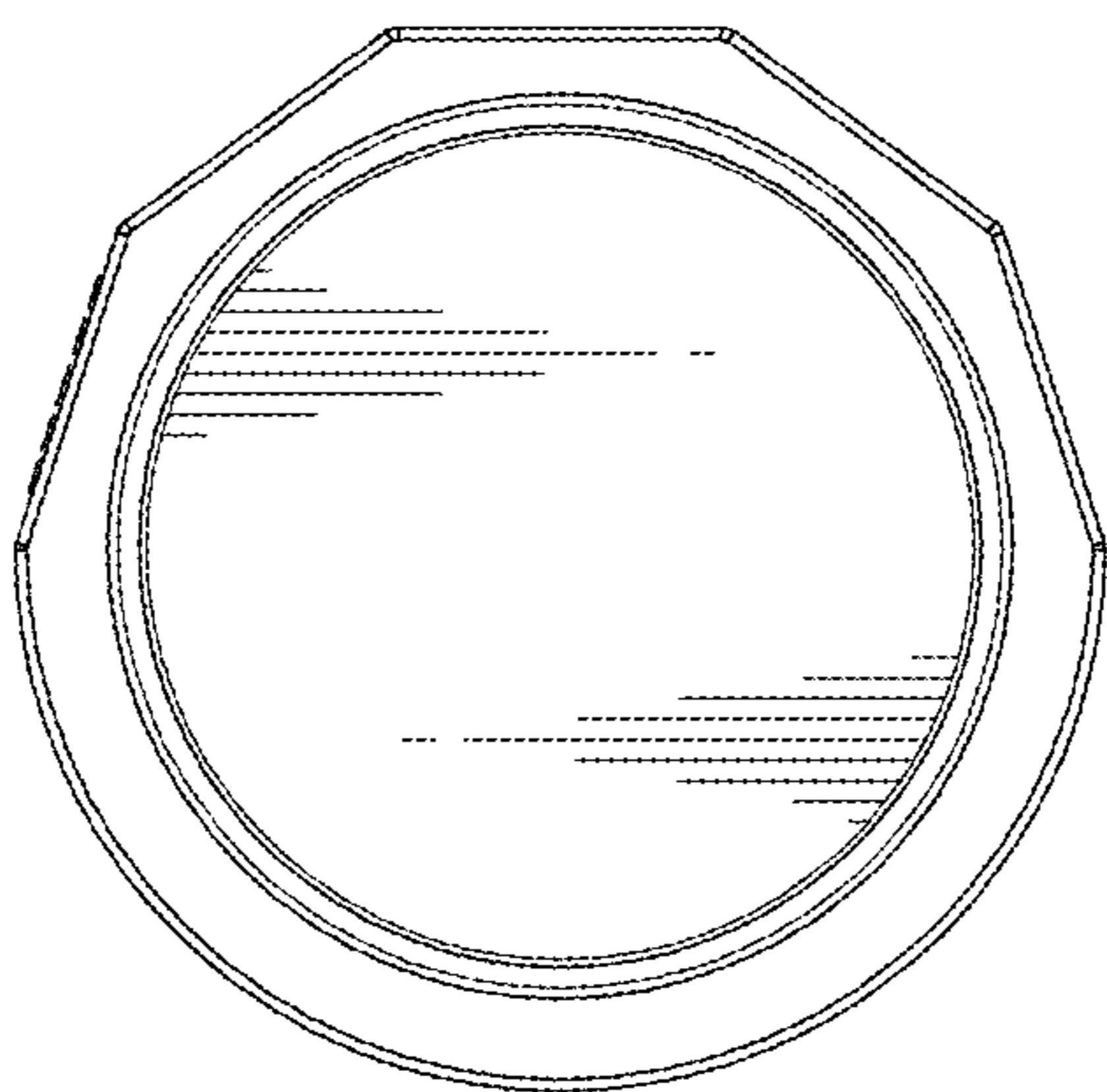


FIG.5

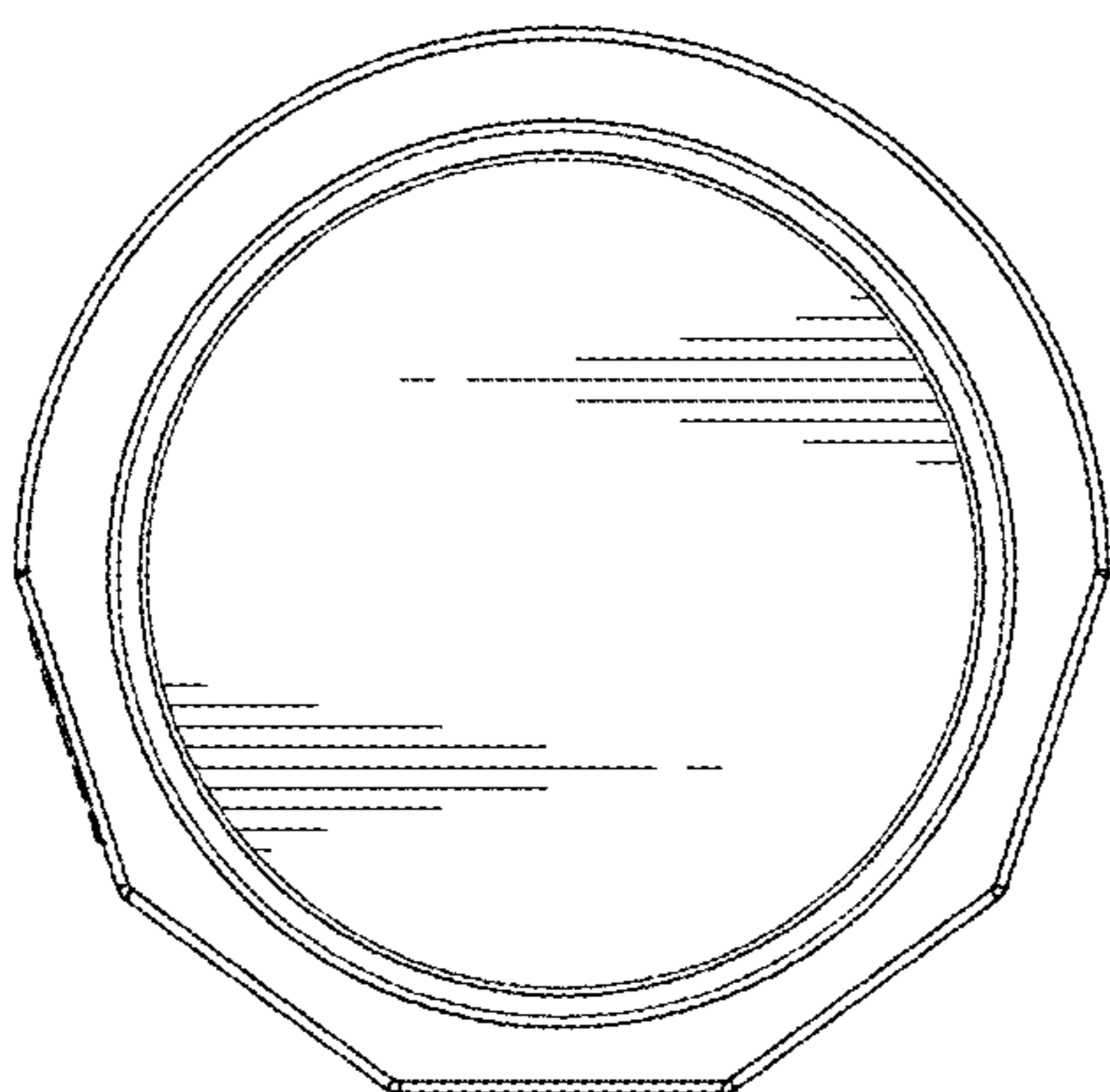


FIG.4

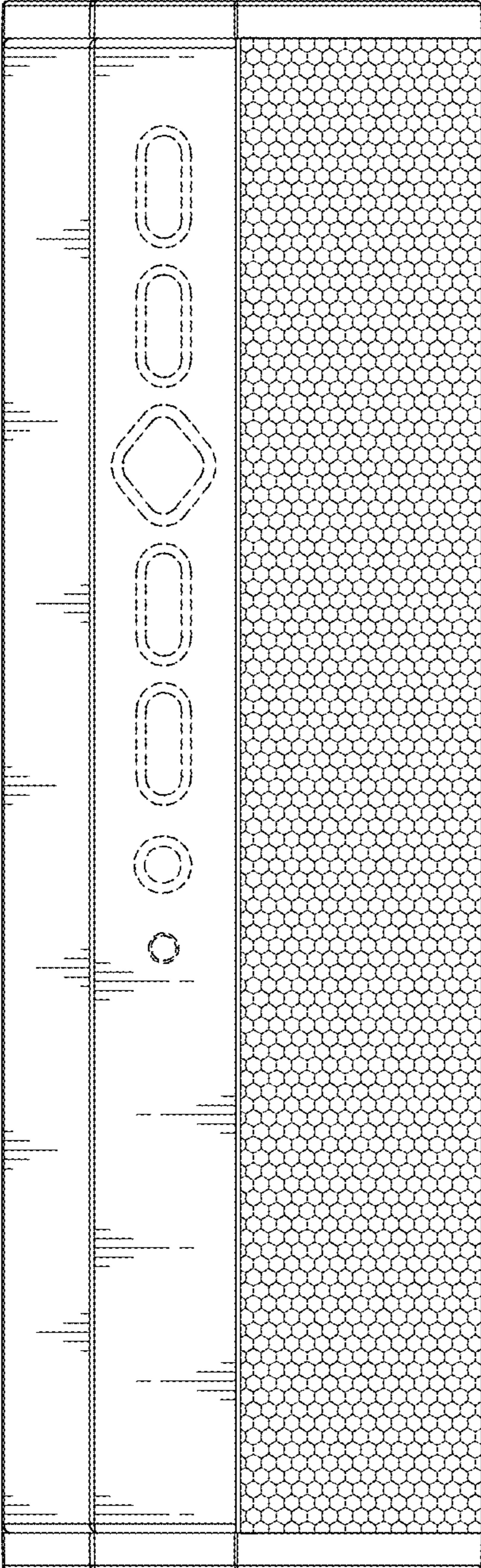


FIG.6

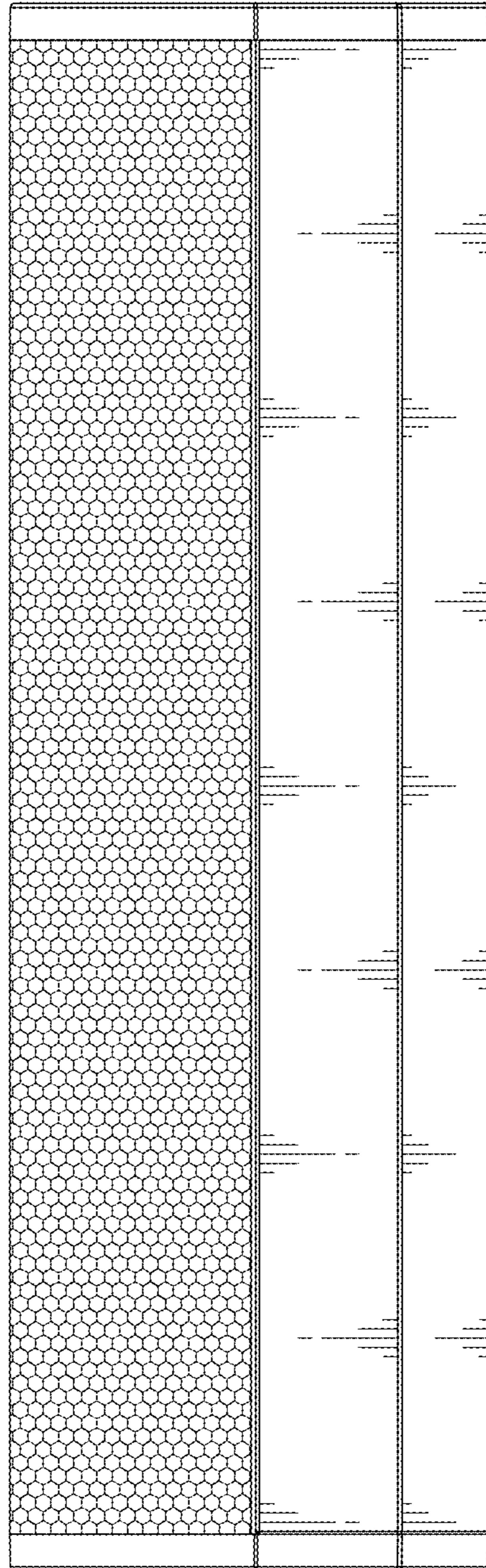


FIG. 7

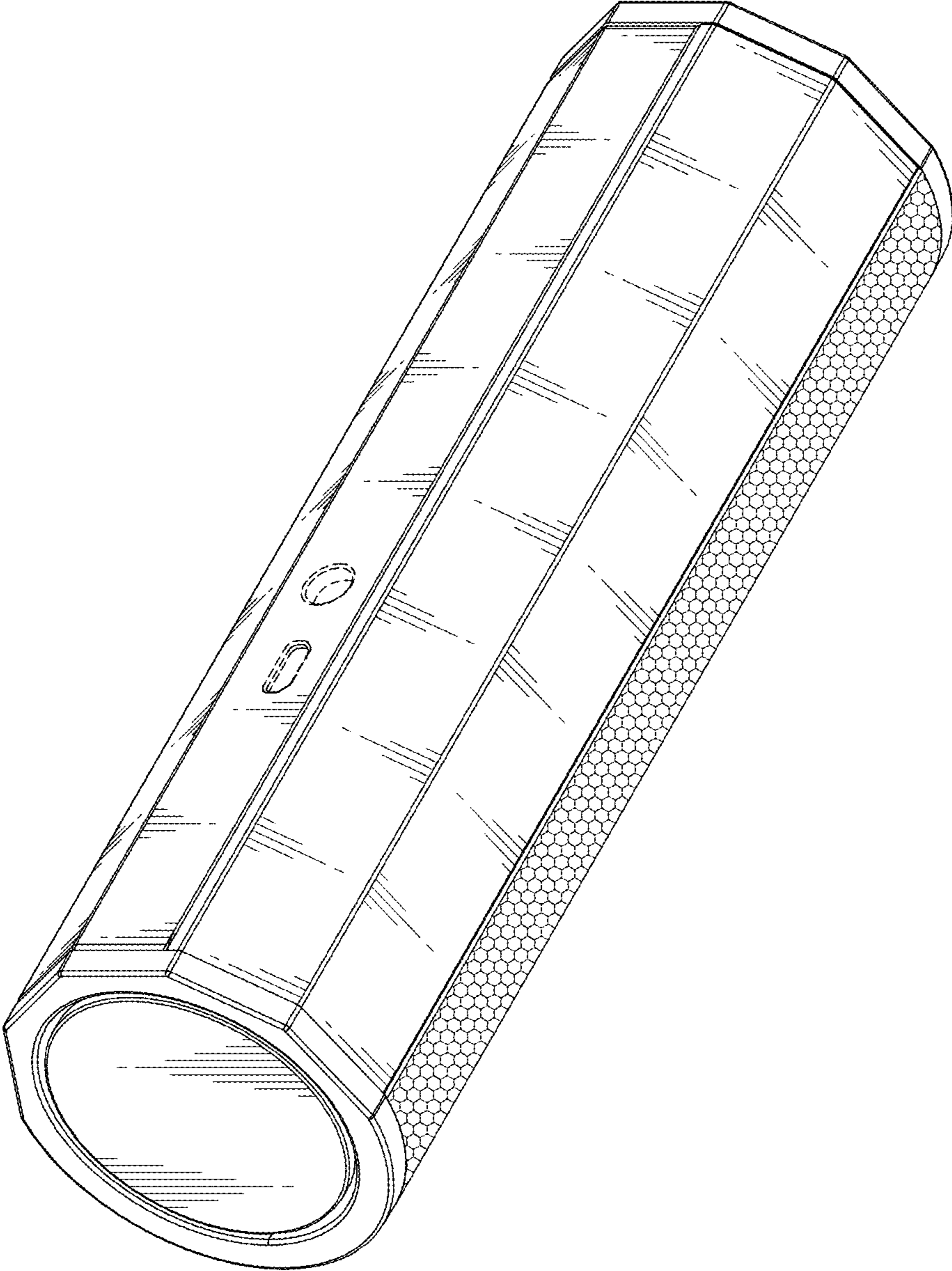


FIG. 8

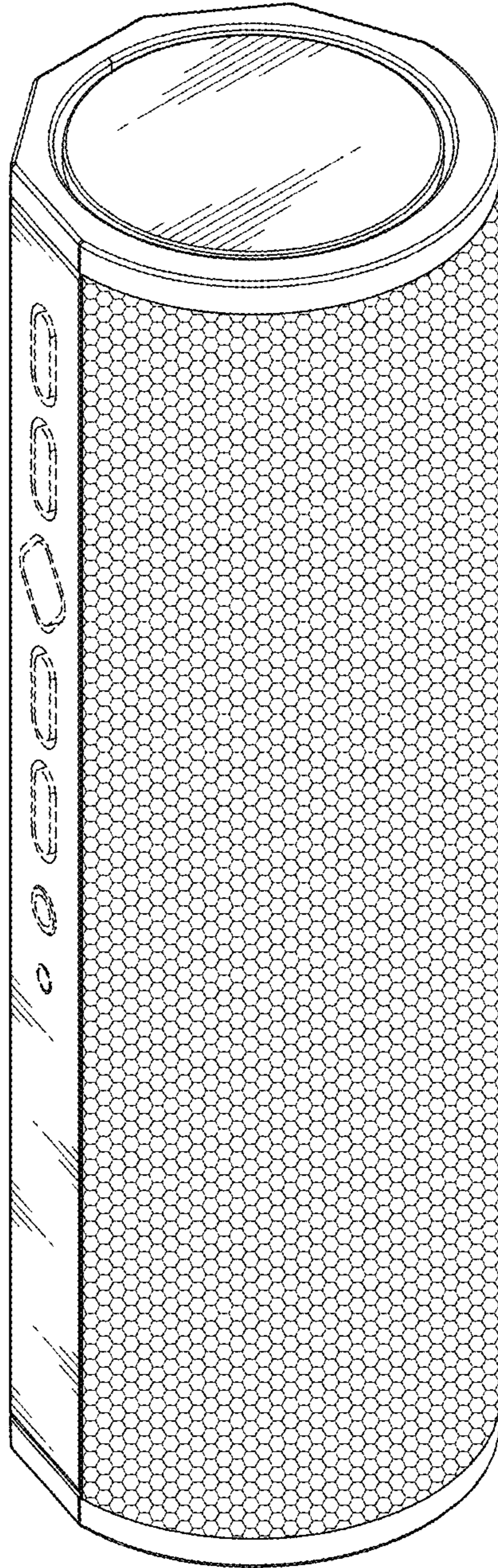


FIG.9