



US00D726154S

(12) **United States Design Patent**  
**Chang**

(10) **Patent No.:** **US D726,154 S**  
(45) **Date of Patent:** **\*\* Apr. 7, 2015**

(54) **PORTABLE WIRELESS SPEAKER**

(71) Applicants: **Lite-On Electronics (Guangzhou) Limited**, Guangzhou (CN); **Lite-On Technology Corporation**, Taipei (TW)

(72) Inventor: **An-Chi Chang**, Taipei (TW)

(73) Assignees: **Lite-On Electronics (Guangzhou) Limited**, Guangzhou (CN); **Lite-On Technology Corporation**, Taipei (TW)

(\*\*) Term: **14 Years**

(21) Appl. No.: **29/483,077**

(22) Filed: **Feb. 25, 2014**

(30) **Foreign Application Priority Data**

Jan. 29, 2014 (TW) ..... 103300599

(51) **LOC (10) Cl.** ..... **14-03**

(52) **U.S. Cl.**  
USPC ..... **D14/215**

(58) **Field of Classification Search**  
USPC ..... D14/167, 168, 170-172, 188, 192,  
D14/194-196, 204, 207, 209.1, 210-216,  
D14/219, 221, 222, 224, 496; 181/143, 144,  
181/147, 148, 150, 153, 157, 198, 199;  
381/300-303, 306, 332, 333, 336, 345,  
381/361-364, 386, 388; 369/6-12

See application file for complete search history.

(56) **References Cited**

**U.S. PATENT DOCUMENTS**

D436,096 S \* 1/2001 Nagele et al. .... D14/214  
D540,296 S \* 4/2007 Mak ..... D14/168

D545,300 S \* 6/2007 Hong et al. .... D14/214  
D551,655 S \* 9/2007 Kim ..... D14/214  
D566,730 S \* 4/2008 Lee ..... D14/496  
D571,355 S \* 6/2008 Koizumi ..... D14/214  
D582,392 S \* 12/2008 Pauschitz et al. .... D14/215  
D582,394 S \* 12/2008 Hong et al. .... D14/216  
D584,288 S \* 1/2009 Kim ..... D14/215  
D641,729 S \* 7/2011 Hao et al. .... D14/215  
D642,159 S \* 7/2011 Joseph ..... D14/215  
D674,779 S \* 1/2013 Joseph ..... D14/214  
D681,010 S \* 4/2013 Cho et al. .... D14/215  
D685,348 S \* 7/2013 Szymanski et al. .... D14/214

\* cited by examiner

*Primary Examiner* — Keli L Hill

(74) *Attorney, Agent, or Firm* — Li & Cai Intellectual Property (USA) Office

(57) **CLAIM**

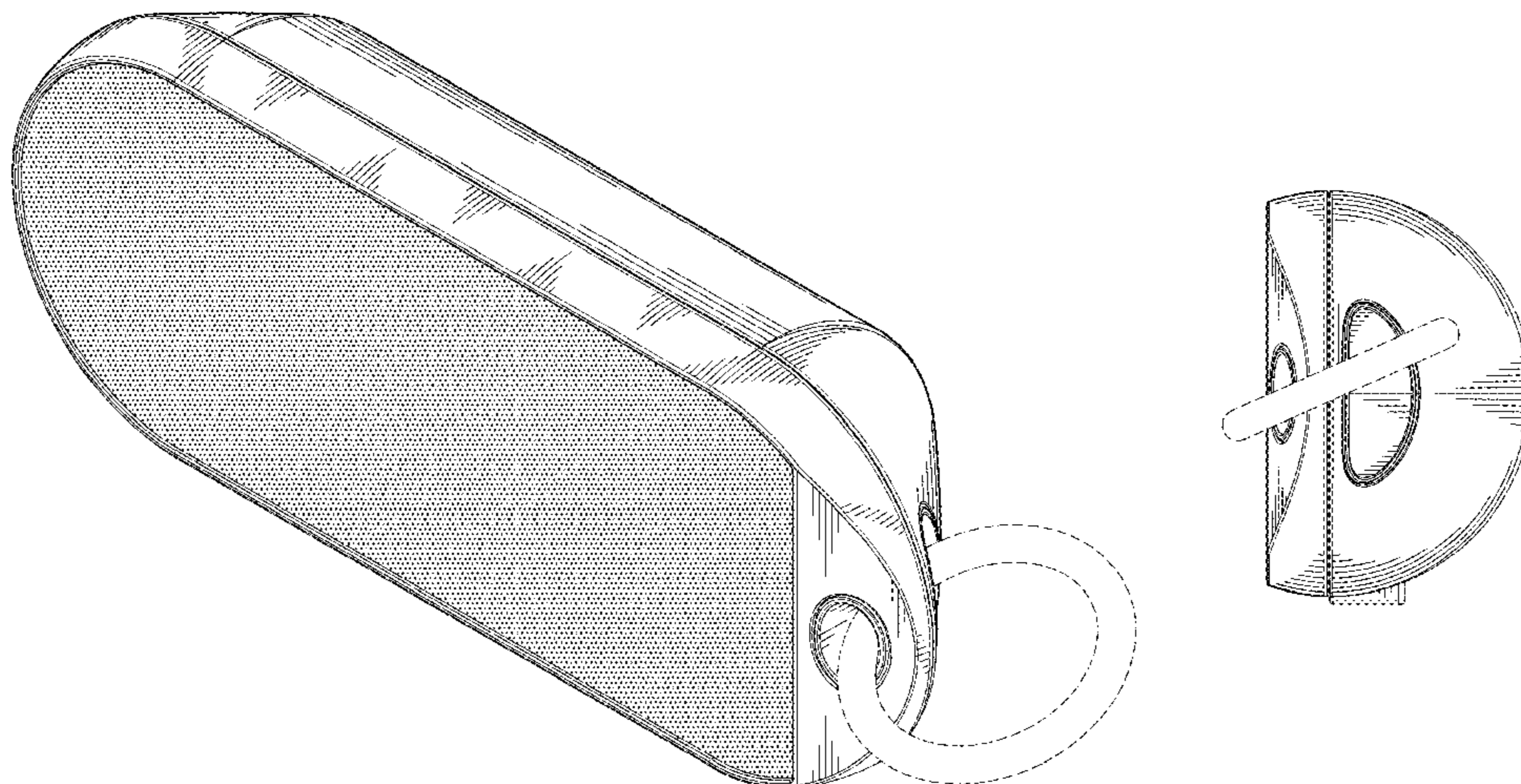
The ornamental design for a “portable wireless speaker,” as shown and described.

**DESCRIPTION**

FIG. 1 is a perspective view of a portable wireless speaker showing my new design;  
FIG. 2 is a front view thereof;  
FIG. 3 is a rear view thereof;  
FIG. 4 is a left side view thereof;  
FIG. 5 is a right side view thereof;  
FIG. 6 is a top view thereof;  
FIG. 7 is a bottom view thereof; and,  
FIG. 8 is a perspective view viewed from another visual angle.

The broken lines depict portions of the portable wireless speaker which form no part of the claimed design.

**1 Claim, 6 Drawing Sheets**



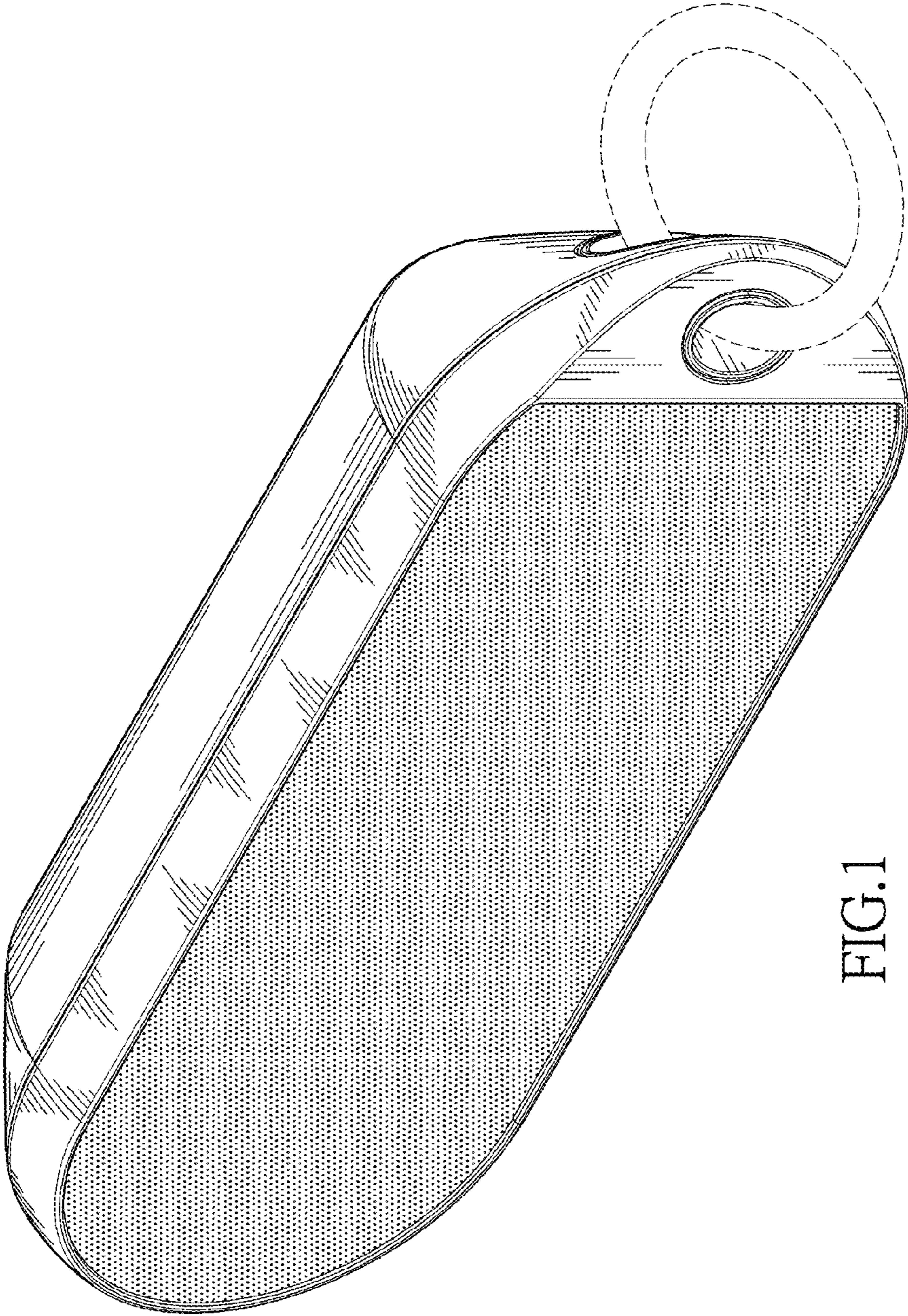


FIG. 1

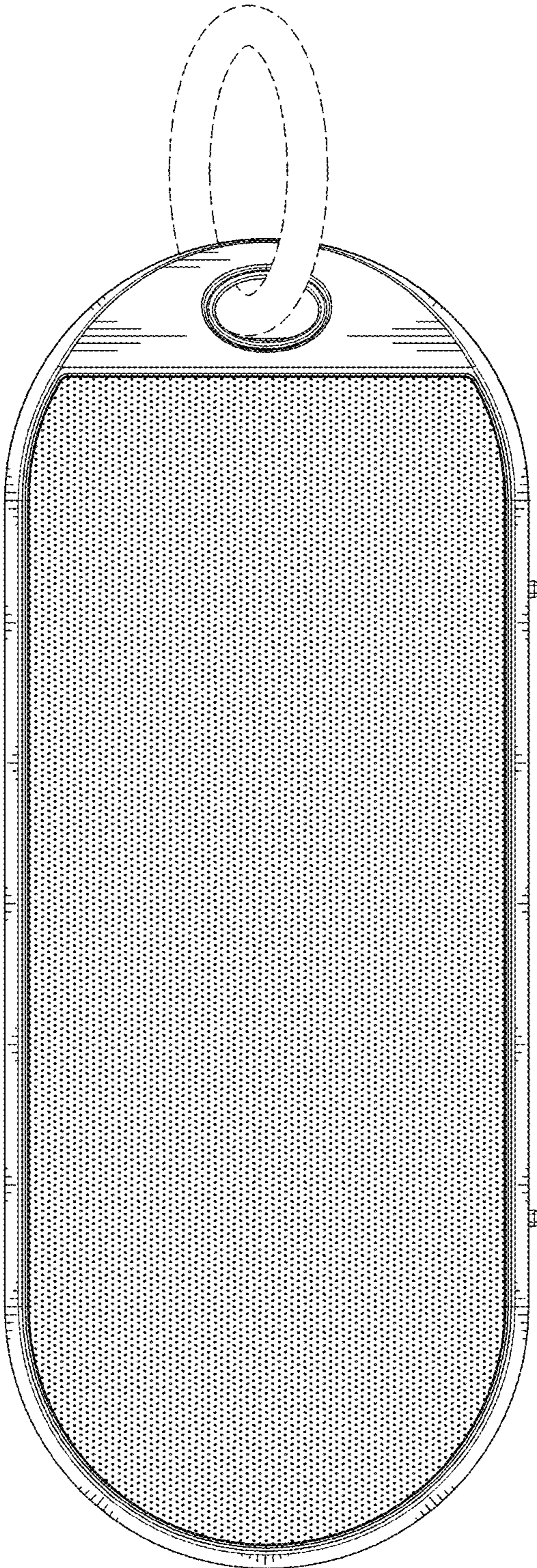


FIG.2

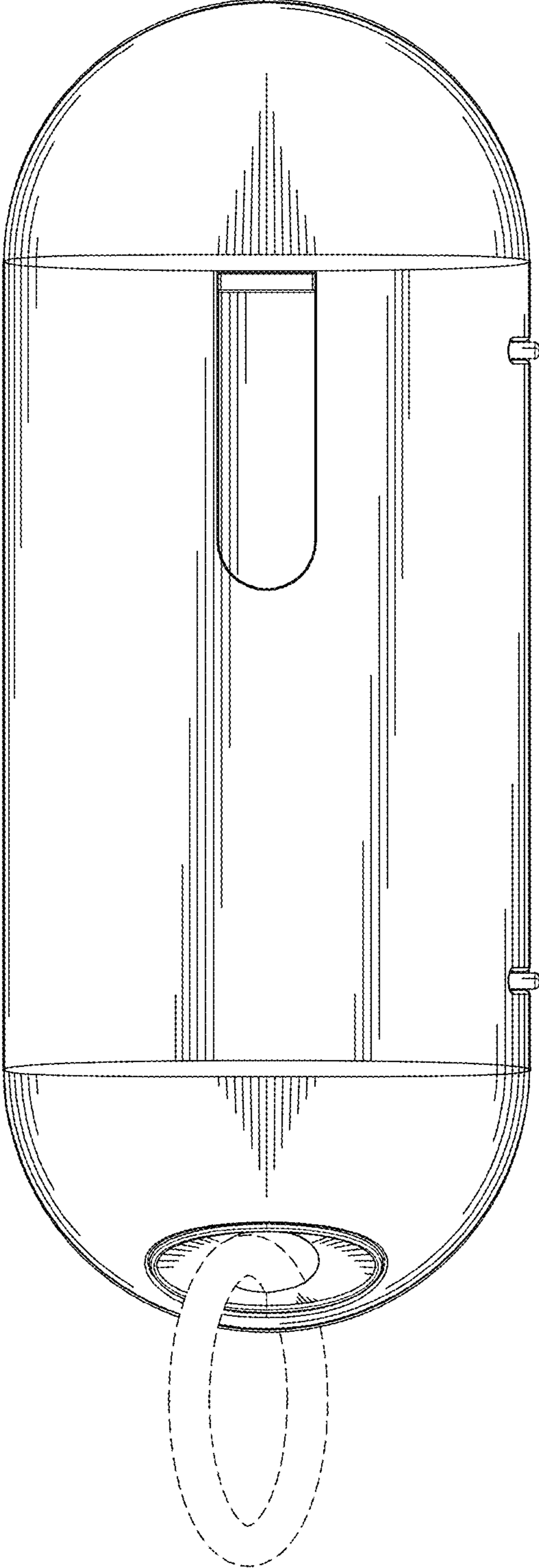


FIG.3

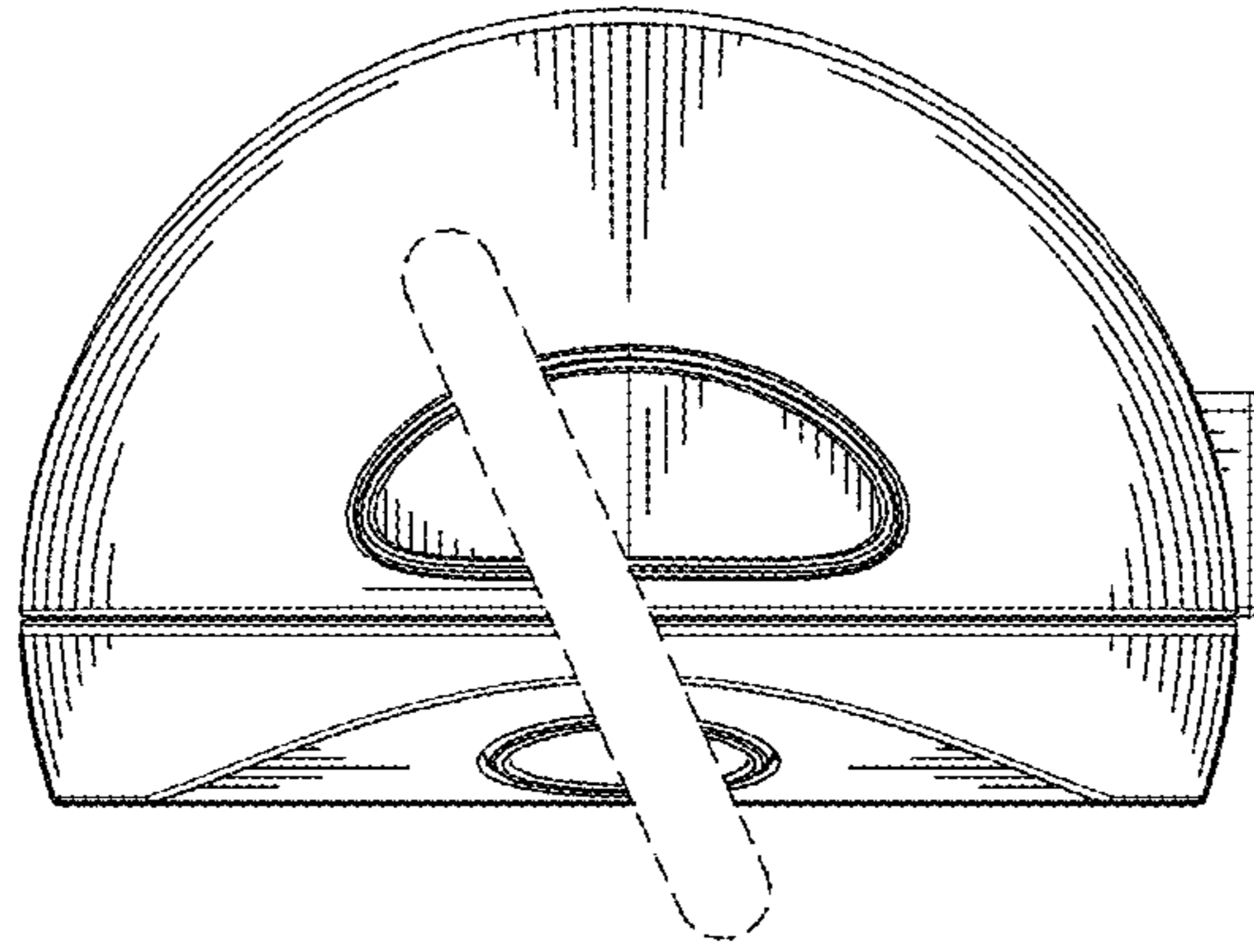


FIG. 5

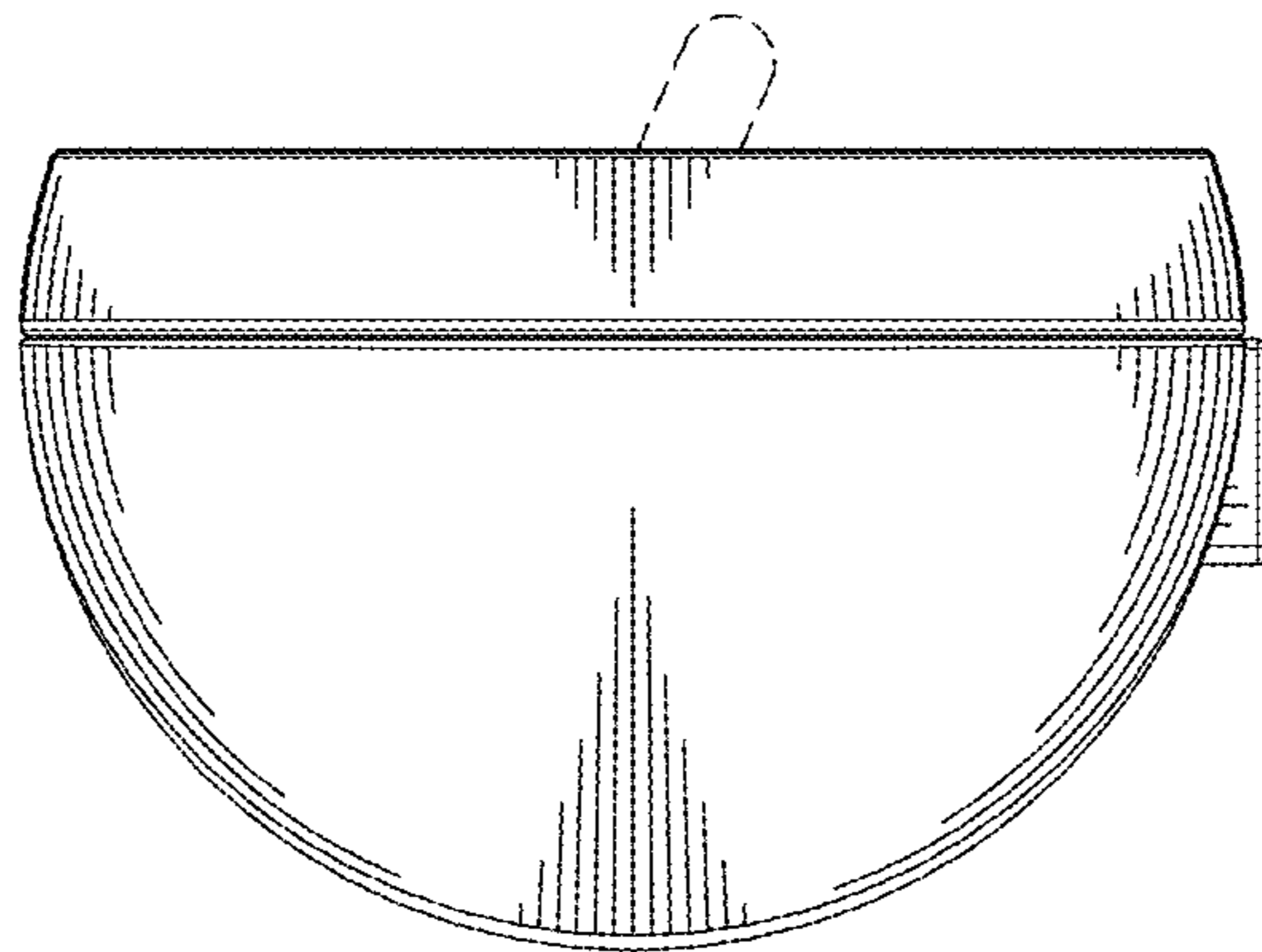


FIG. 4

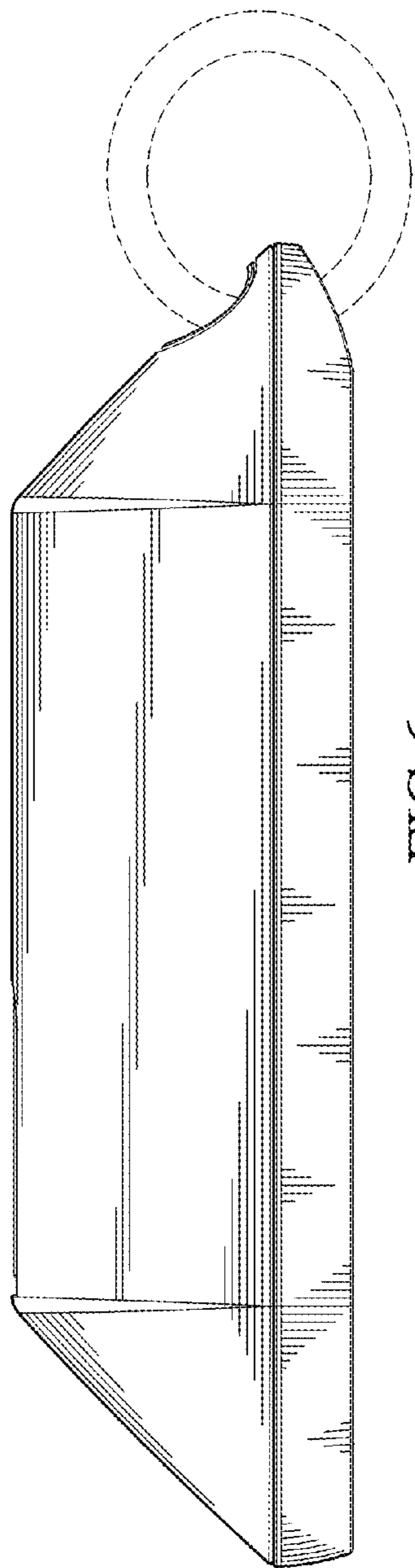


FIG. 6

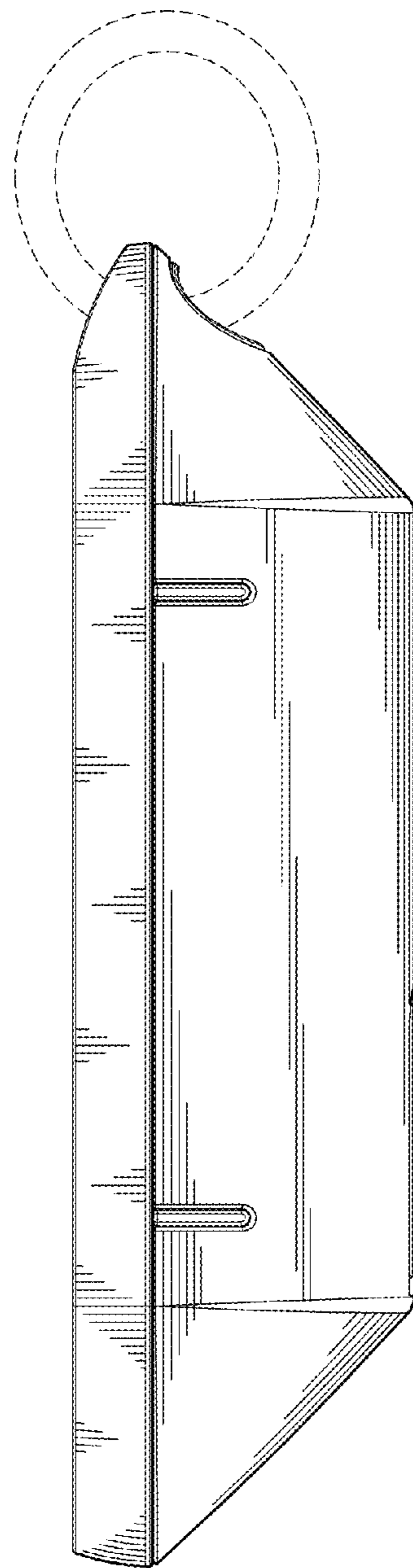


FIG. 7

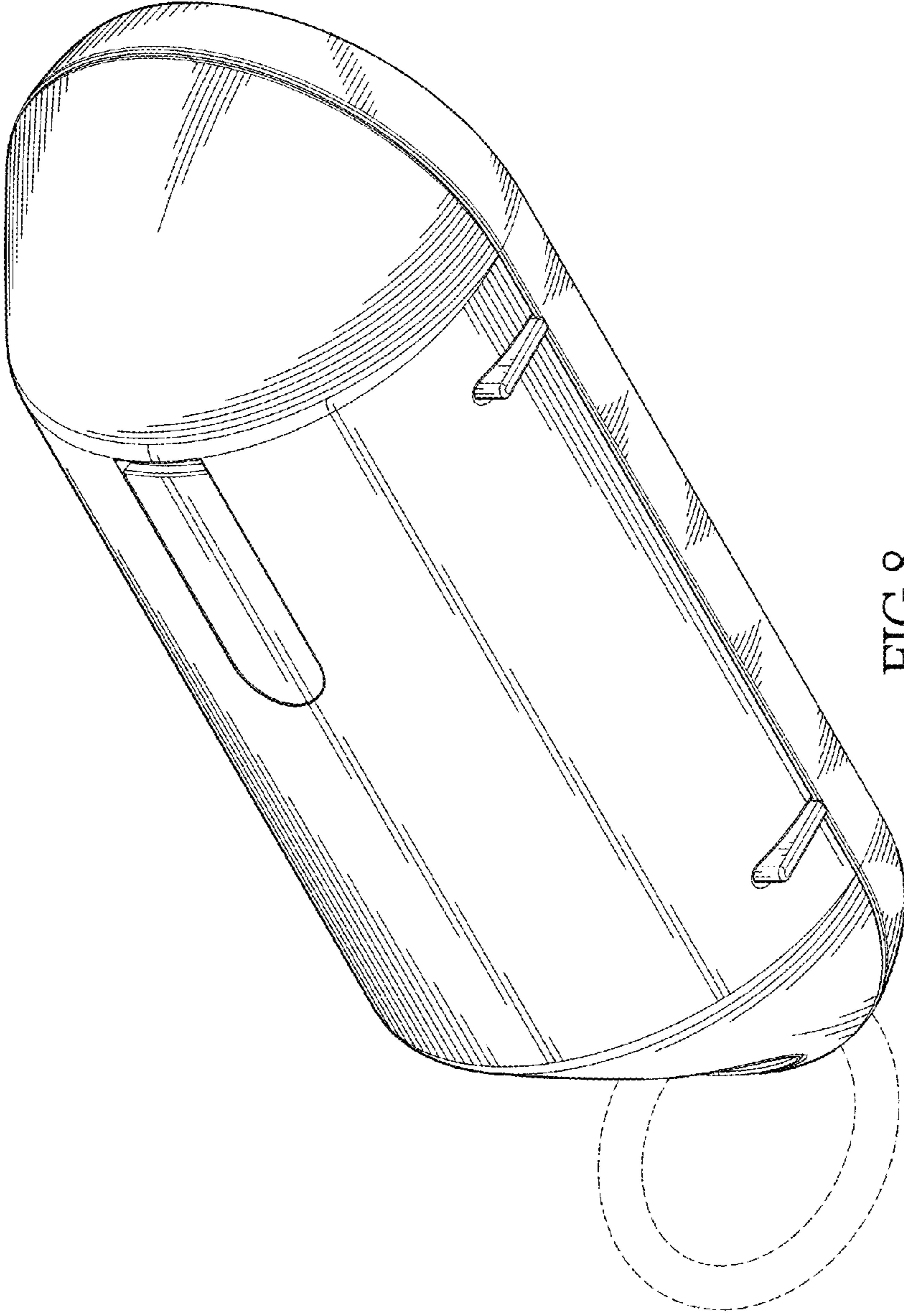


FIG.8