

US00D726153S

(12) **United States Design Patent**  
**Chang**

(10) **Patent No.:** **US D726,153 S**

(45) **Date of Patent:** **\*\* Apr. 7, 2015**

(54) **SOUND BAR SPEAKER**

(56) **References Cited**

(71) Applicants: **Lite-On Electronics (Guangzhou) Limited**, Guangzhou (CN); **Lite-On Technology Corporation**, Taipei (TW)

U.S. PATENT DOCUMENTS

D641,338	S	*	7/2011	Chen	.....	D14/209.1
D658,160	S	*	4/2012	Janky et al.	.....	D14/214
D670,264	S	*	11/2012	Tsai	.....	D14/172
D676,829	S	*	2/2013	Kaneko	.....	D14/209.1
D681,606	S	*	5/2013	Nishii et al.	.....	D14/214
D706,748	S	*	6/2014	Hara	.....	D14/214
D712,952	S	*	9/2014	Sumii et al.	.....	D16/218
D715,257	S	*	10/2014	Son et al.	.....	D14/214
D715,769	S	*	10/2014	McManigal	.....	D14/214

(72) Inventor: **An-Chi Chang**, Taipei (TW)

\* cited by examiner

(73) Assignees: **Lite-On Electronics (Guangzhou) Limited**, Guangzhou (CN); **Lite-On Technology Corporation**, Taipei (TW)

*Primary Examiner* — Keli L Hill

(\*\*) Term: **14 Years**

(74) *Attorney, Agent, or Firm* — Li & Cai Intellectual Property (USA) Office

(21) Appl. No.: **29/482,880**

(57) **CLAIM**

(22) Filed: **Feb. 22, 2014**

The ornamental design for a “sound bar speaker,” as shown and described.

(30) **Foreign Application Priority Data**

**DESCRIPTION**

Jan. 6, 2014 (TW) ..... 103300084

FIG. 1 is a perspective view of a “sound bar speaker” showing my new design;

(51) **LOC (10) Cl.** ..... **14-03**

FIG. 2 is a front view thereof;

(52) **U.S. Cl.**

FIG. 3 is a rear view thereof;

USPC ..... **D14/215**; D14/214

FIG. 4 is a left side view thereof;

(58) **Field of Classification Search**

USPC ..... D14/167, 168, 170–172, 188, 192,

FIG. 5 is a right side view thereof;

D14/194–196, 204, 207, 209.1, 210–216,

FIG. 6 is a top view thereof;

D14/219, 221, 222, 224, 496; 181/143, 144,

FIG. 7 is a bottom view thereof; and,

181/147, 148, 150, 153, 157, 198, 199;

FIG. 8 is a perspective view viewed from another visual angle.

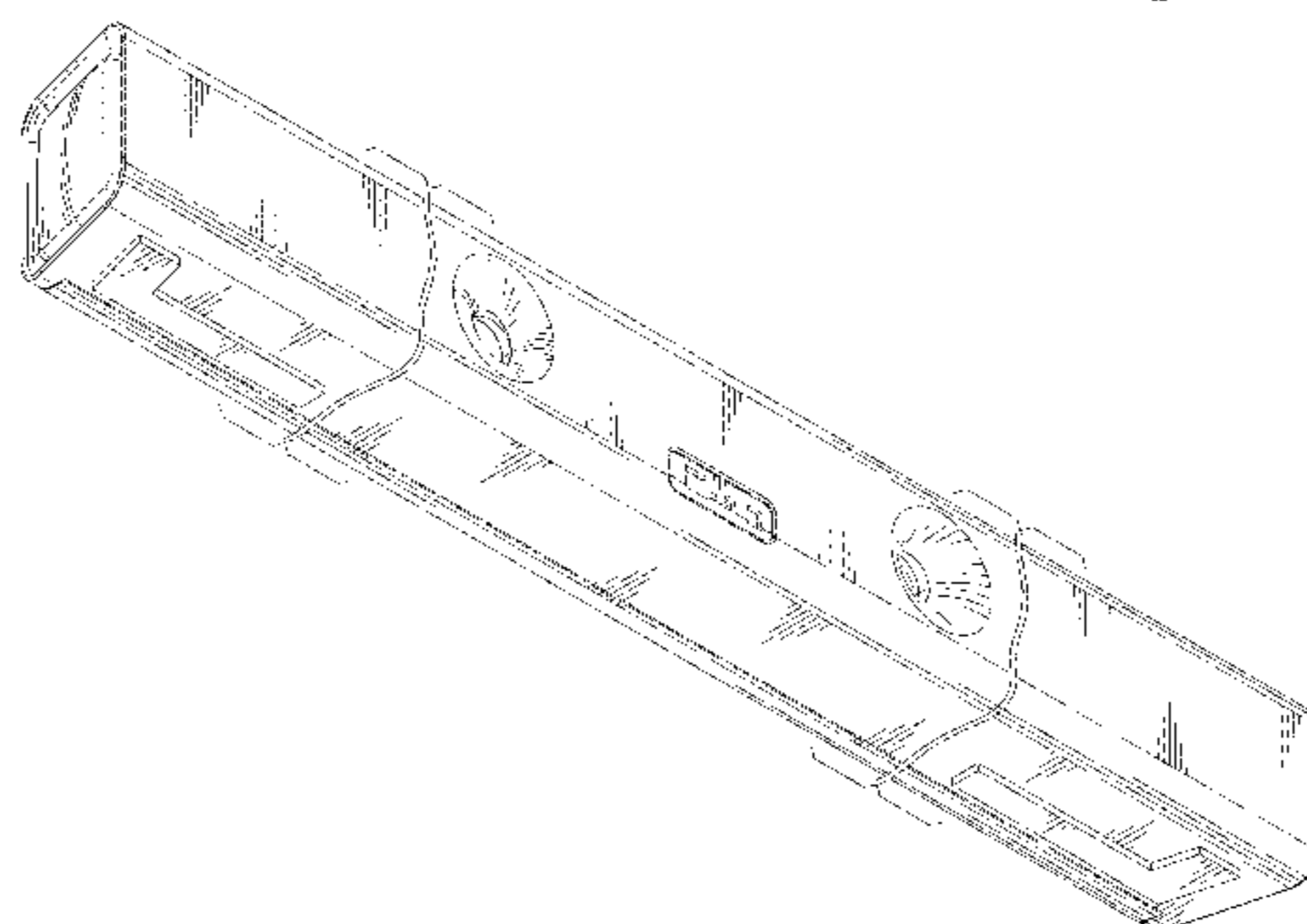
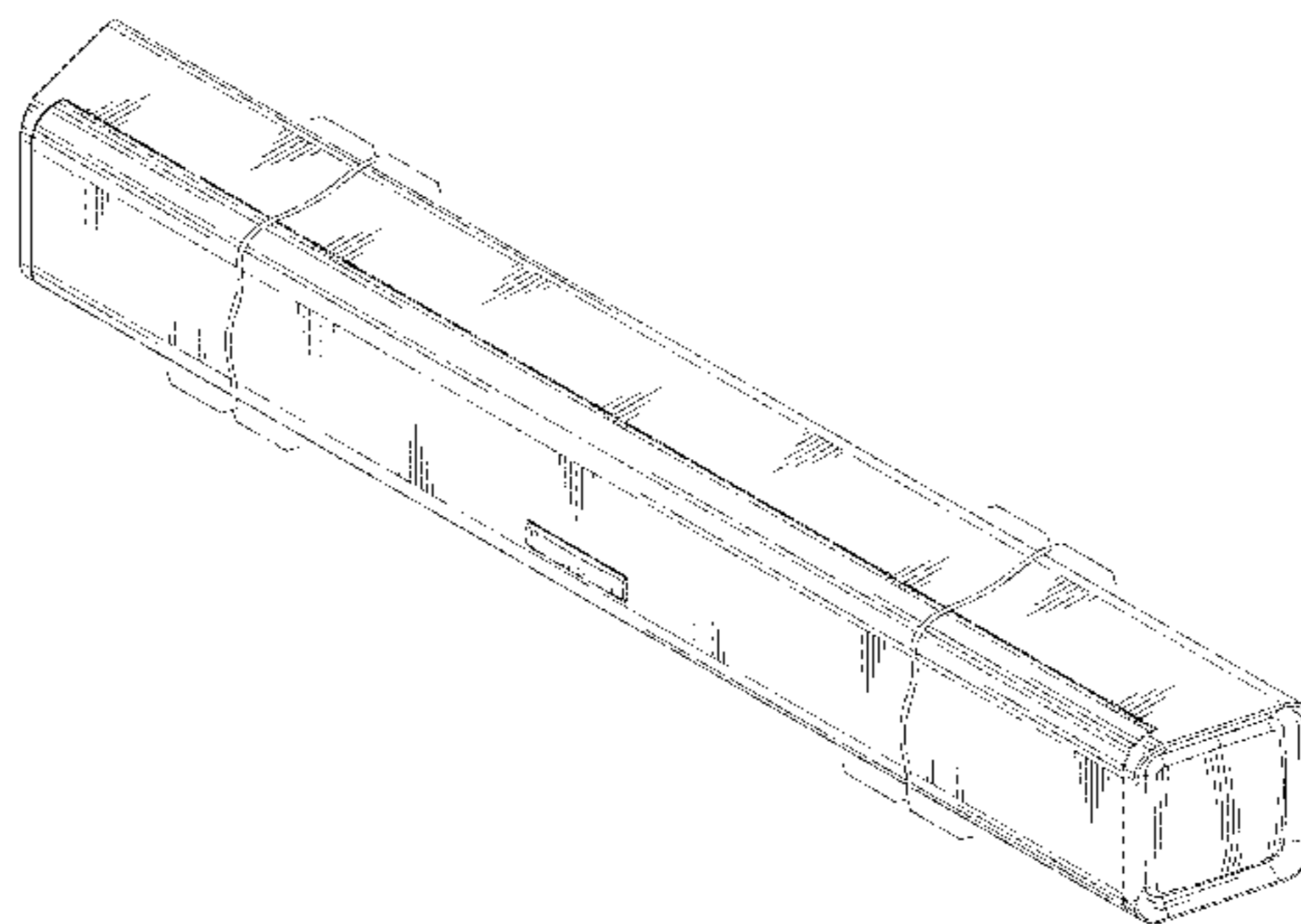
381/300–303, 306, 332, 333, 336, 345,

The sound bar speaker is shown with symbolic breaks in its length in the FIGS. 1-3 and FIGS. 6-8 drawing views. It is understood that patentability is based only on those portions of the article that are shown in solid lines, and the appearance of any portion of the article between the break lines forms no part of the claimed design.

381/361–364, 386, 388; 369/6–12

See application file for complete search history.

**1 Claim, 5 Drawing Sheets**



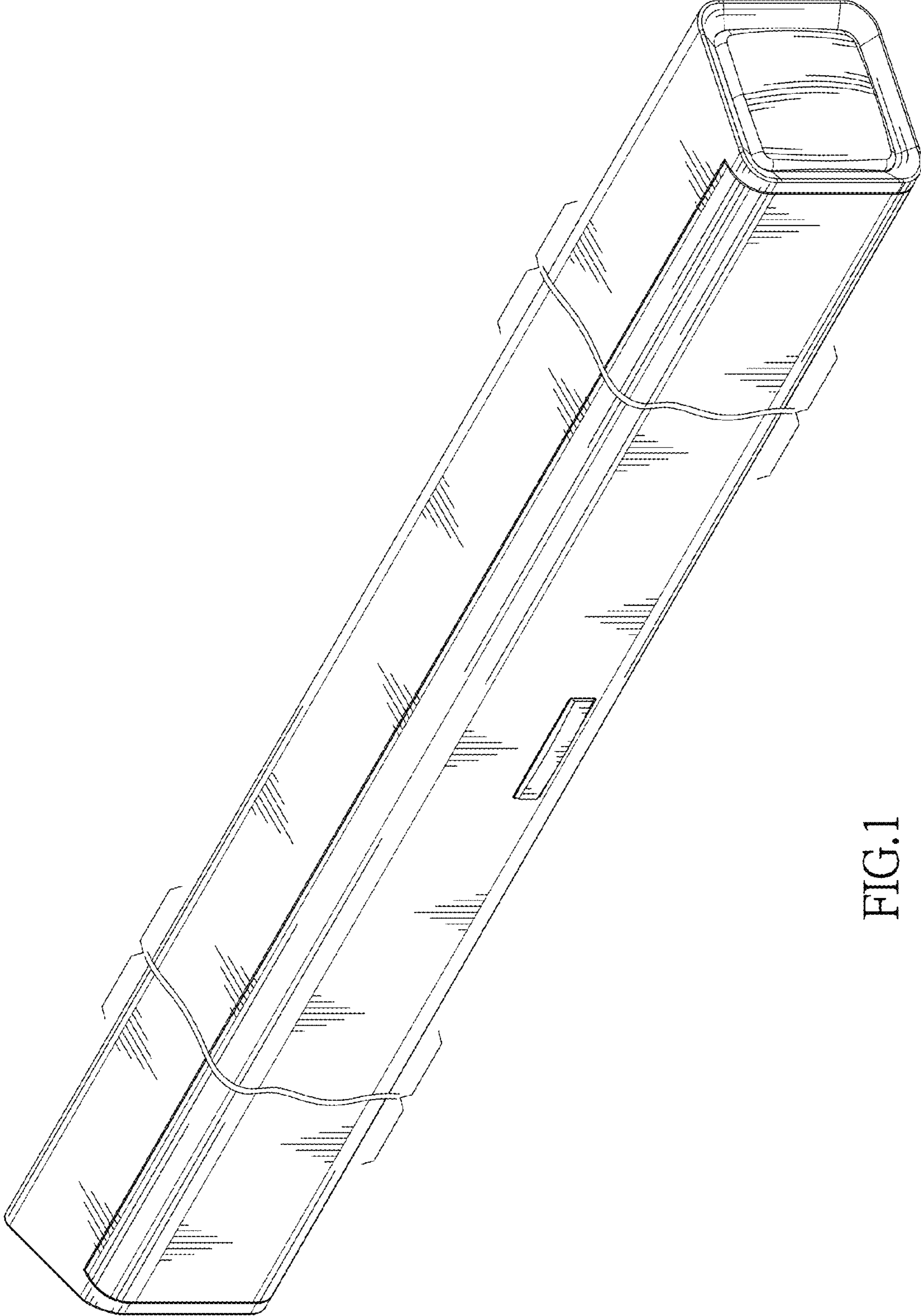


FIG.1

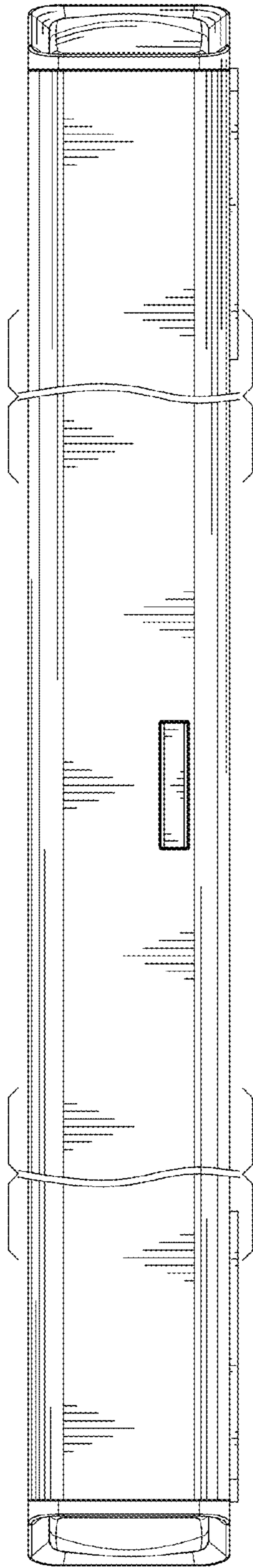


FIG. 2

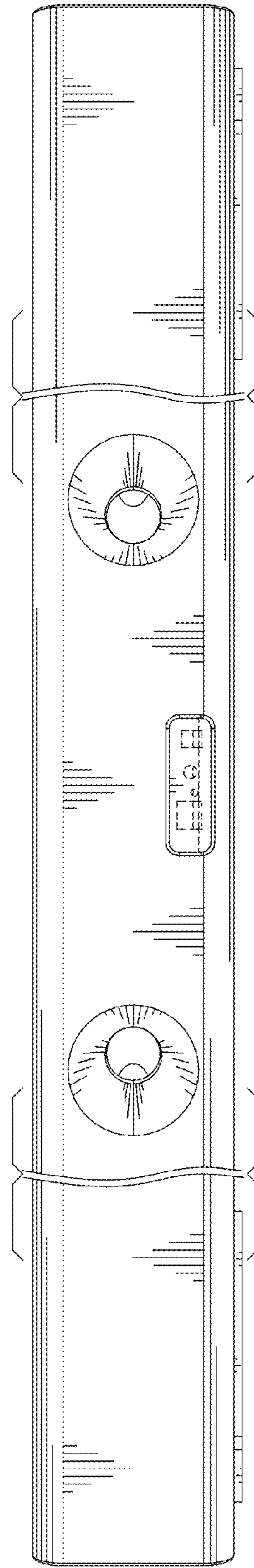


FIG. 3

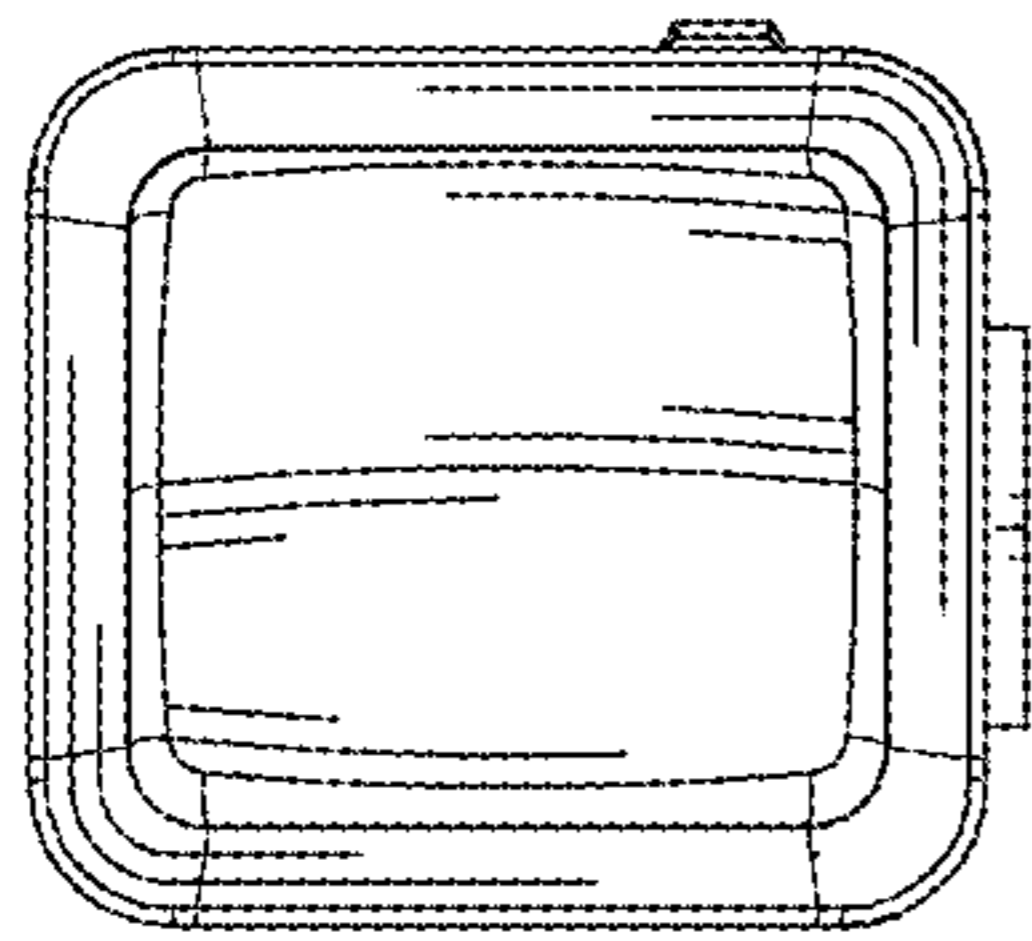


FIG.4

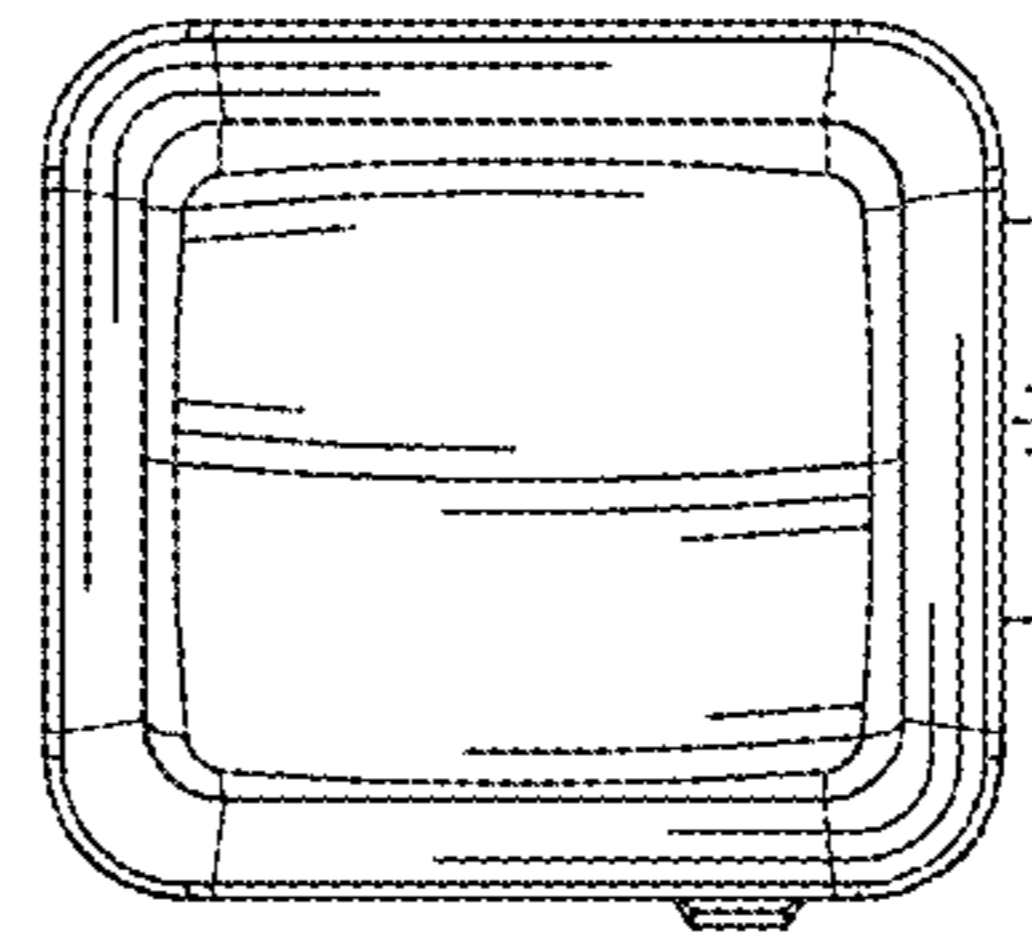


FIG.5

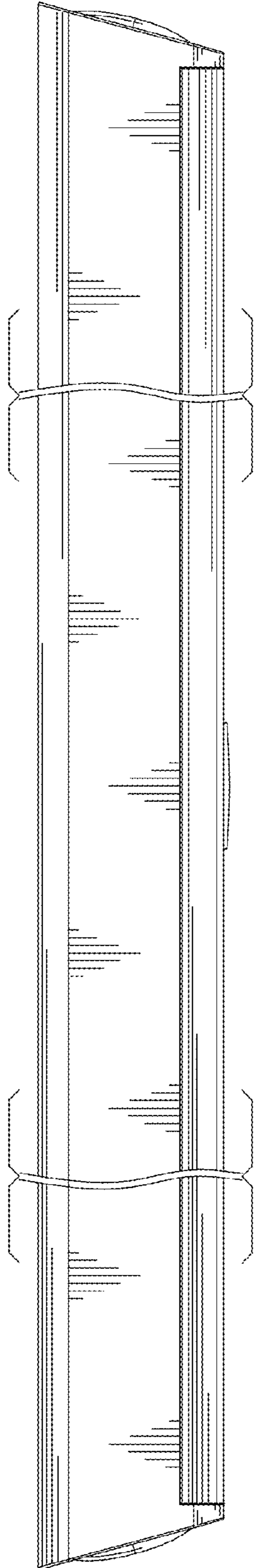


FIG. 6

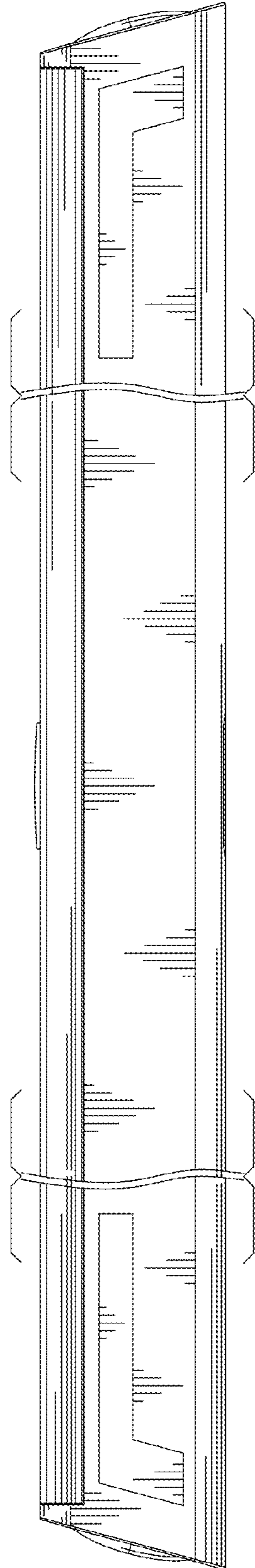


FIG. 7

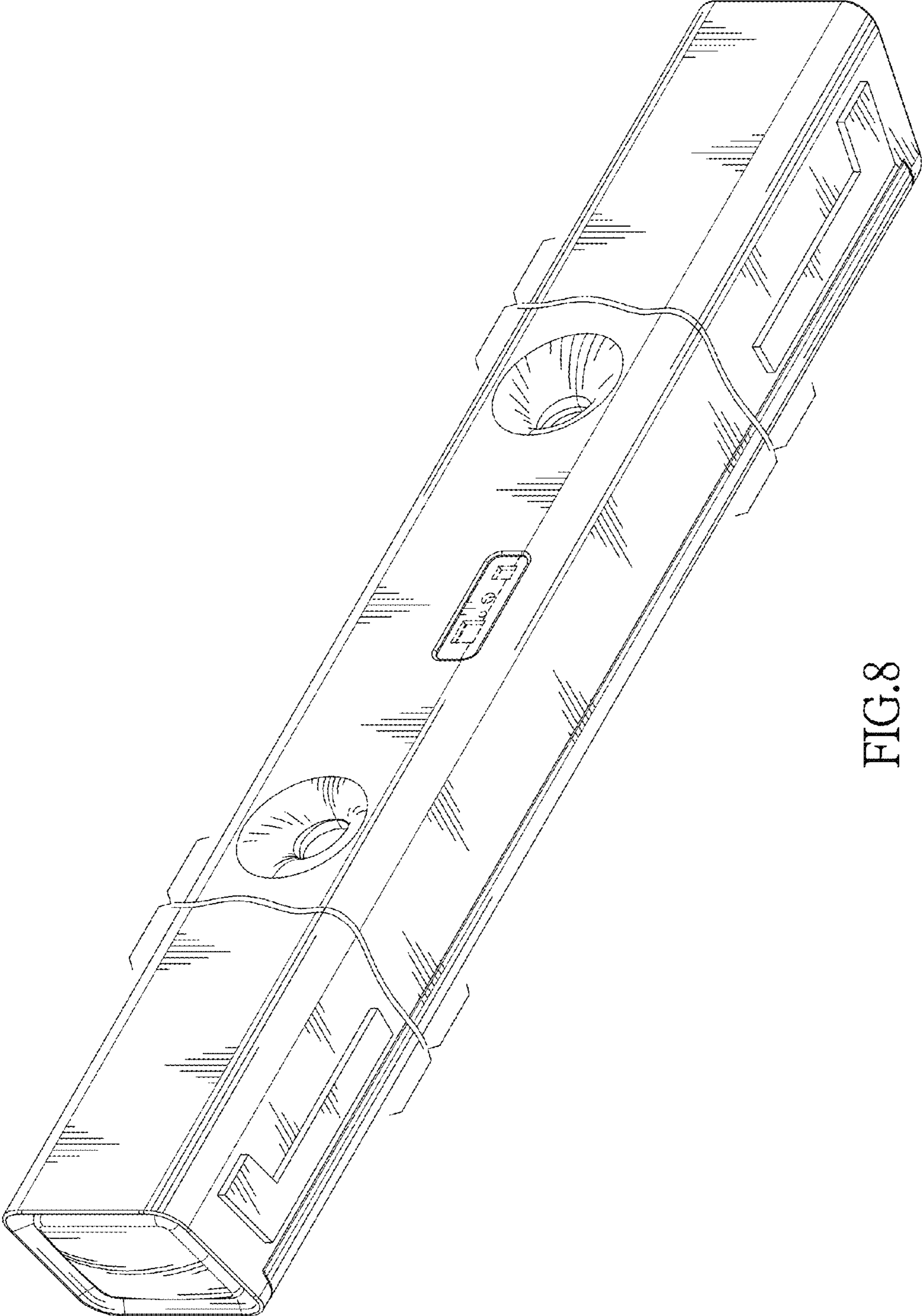


FIG. 8