



US00D726152S

(12) **United States Design Patent**
Ferber et al.

(10) **Patent No.:** **US D726,152 S**
(45) **Date of Patent:** **** Apr. 7, 2015**

(54) **SPEAKER**

(71) Applicant: **FKA Distributing Co., LLC**,
Commerce Township, MI (US)
(72) Inventors: **Roman S. Ferber**, West Bloomfield, MI
(US); **Hing Wah Tsang**, Ajax (CA);
Chad Robert Stewart, Stouffville (CA)
(73) Assignee: **FKA Distributing Co., LLC**,
Commerce Township, MI (US)
(**) Term: **14 Years**

(21) Appl. No.: **29/480,770**

(22) Filed: **Jan. 29, 2014**

(51) **LOC (10) Cl.** **14-03**

(52) **U.S. Cl.**
USPC **D14/215**

(58) **Field of Classification Search**
USPC D14/167, 168, 170–172, 188, 194–196,
D14/204, 207, 209.1, 210–216, 219, 221,
D14/222, 224, 496, 189, 161, 614, 165,
D14/475–477; 181/143, 144, 147, 148, 150,
181/153, 157, 198, 199; 381/300–303, 306,
381/332, 333, 336, 345, 361–364,
381/386–388; 369/6–12; D21/516

See application file for complete search history.

(56) **References Cited**

U.S. PATENT DOCUMENTS

D271,198 S *	11/1983	Shimizu	D14/476
4,764,961 A *	8/1988	Hung	381/308
D334,285 S *	3/1993	Wilson	D3/218
D342,520 S *	12/1993	Totsuka	D14/170
D514,547 S *	2/2006	Tragatschnig	D14/188
D540,299 S *	4/2007	Tragatschnig	D14/188
D583,357 S *	12/2008	Chen	D14/168
D620,923 S *	8/2010	Orfali	D14/209.1
D622,699 S *	8/2010	Jiang et al.	D14/209.1
D692,412 S *	10/2013	Silvera	D14/215
D697,052 S *	1/2014	Loudon et al.	D14/214
D707,203 S *	6/2014	Xie et al.	D14/214
D713,381 S *	9/2014	Riggs et al.	D14/214
D713,382 S *	9/2014	Riggs et al.	D14/215

* cited by examiner

Primary Examiner — Keli L Hill

(74) *Attorney, Agent, or Firm* — Brooks Kushman P.C.

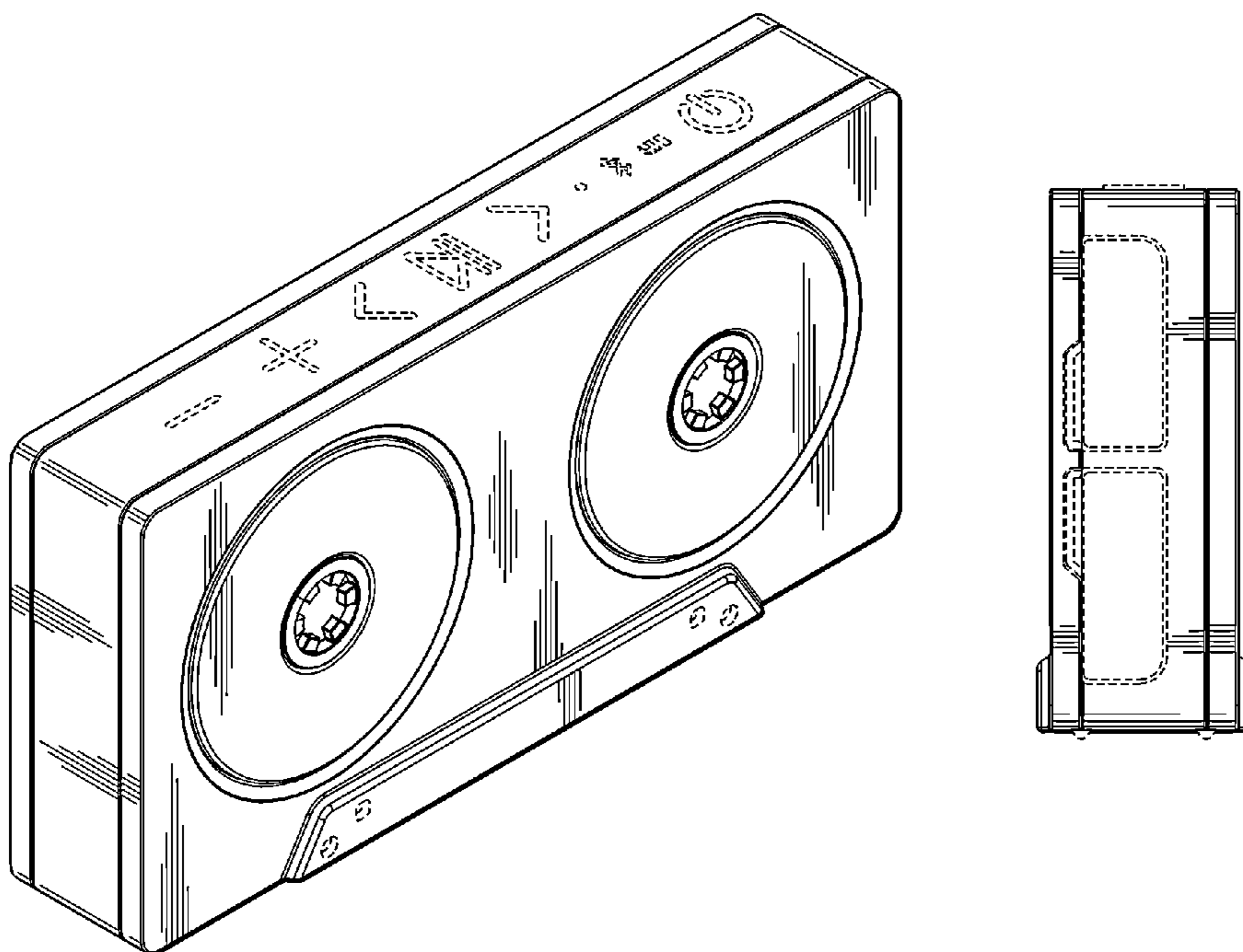
(57) **CLAIM**

The ornamental design for a speaker, as shown and described.

DESCRIPTION

FIG. 1 is a perspective view of a speaker, embodying our new design;
FIG. 2 is a front view of the speaker of FIG. 1;
FIG. 3 is a rear view of the speaker of FIG. 1;
FIG. 4 is a right side view of the speaker of FIG. 1;
FIG. 5 is a left side view of the speaker of FIG. 1;
FIG. 6 is a top view of the speaker of FIG. 1; and,
FIG. 7 is a bottom view of the speaker of FIG. 1.
The broken lines shown are included for the purpose of illustrating portions of the speaker that form no part of the claim.

1 Claim, 3 Drawing Sheets



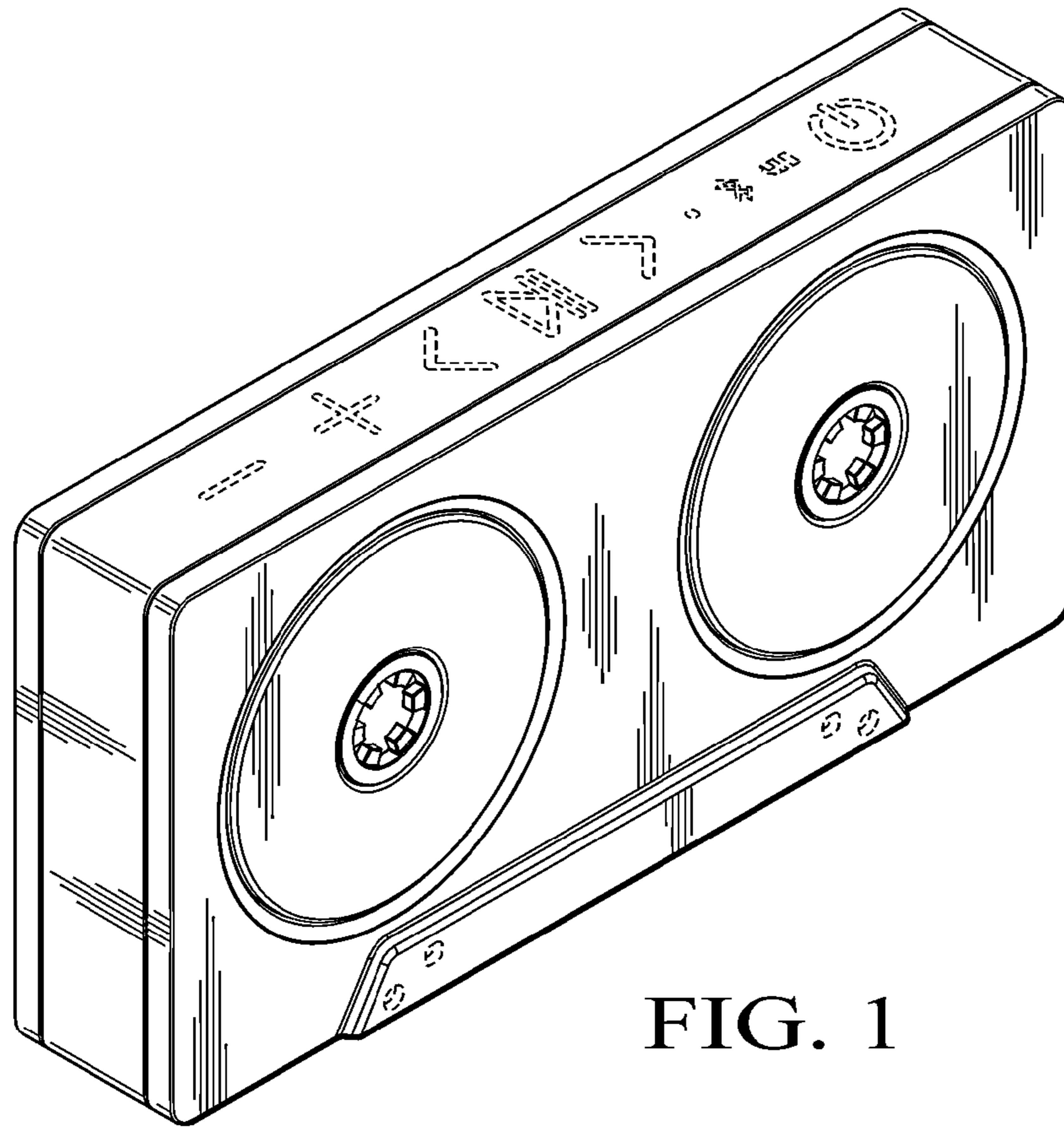


FIG. 1

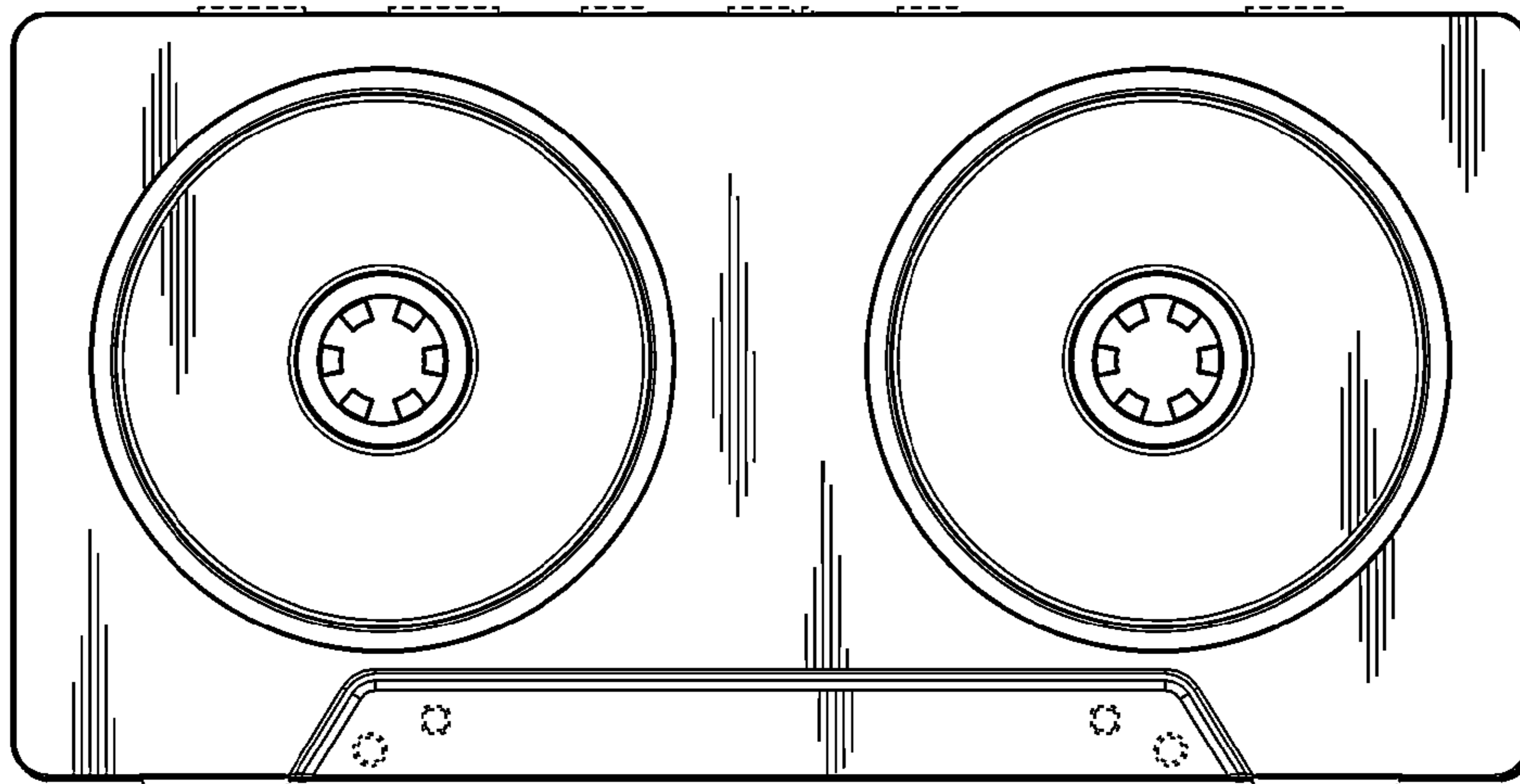


FIG. 2

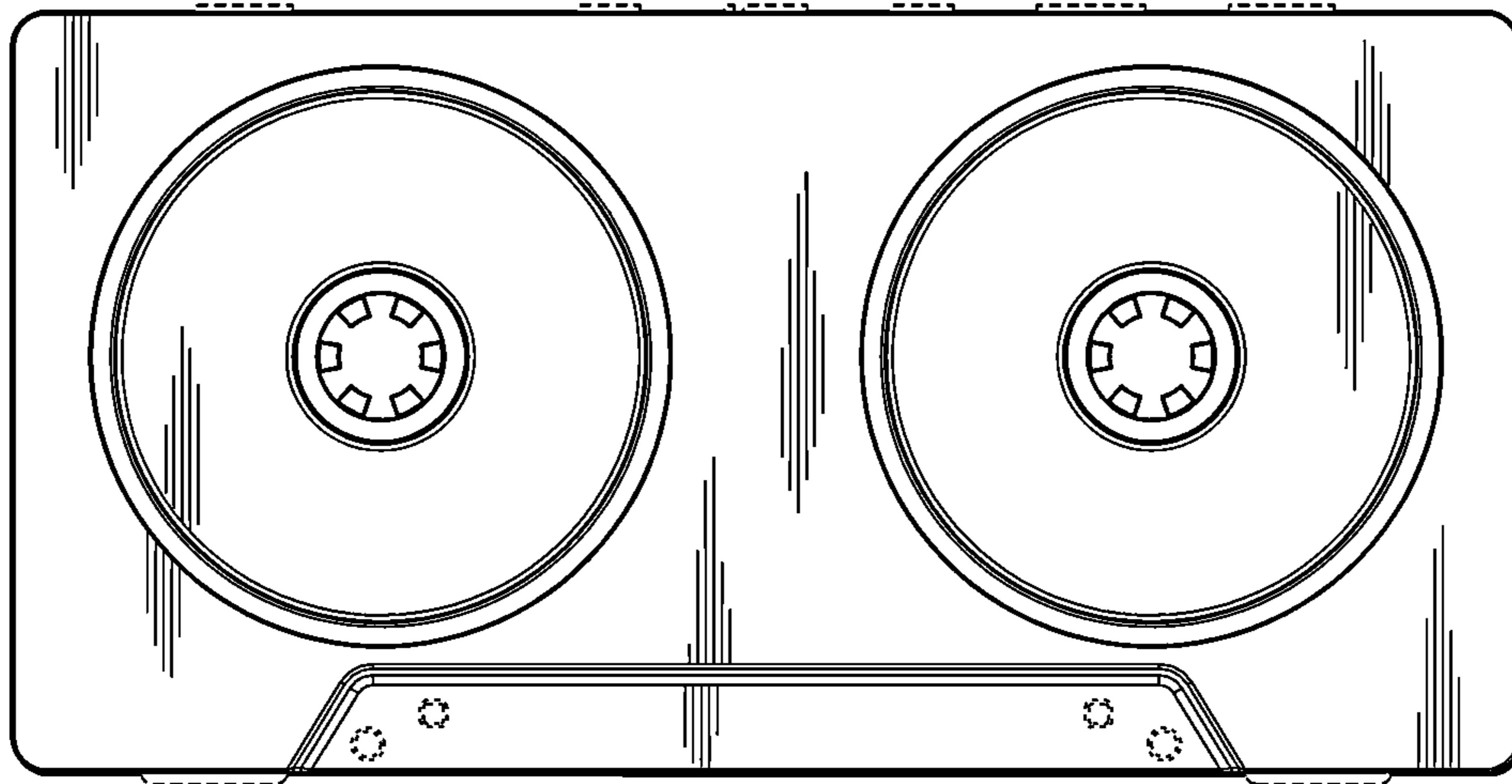


FIG. 3

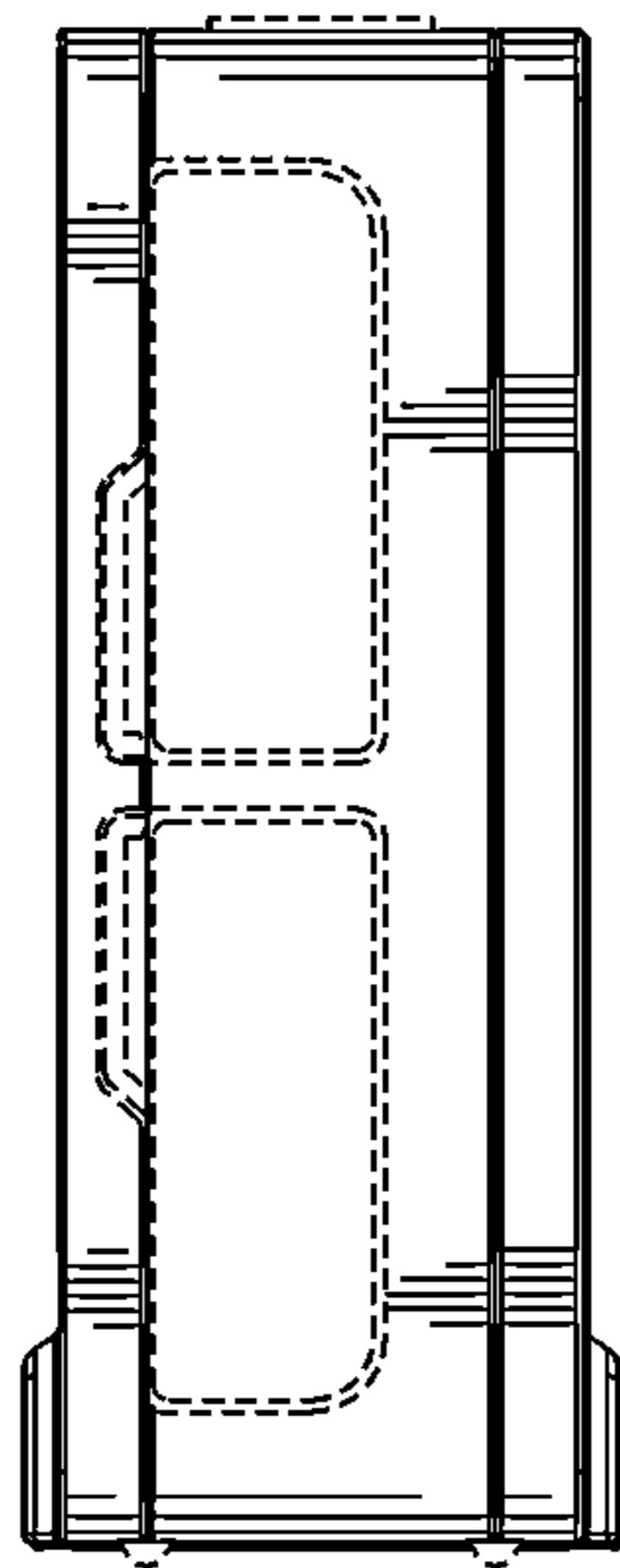


FIG. 4

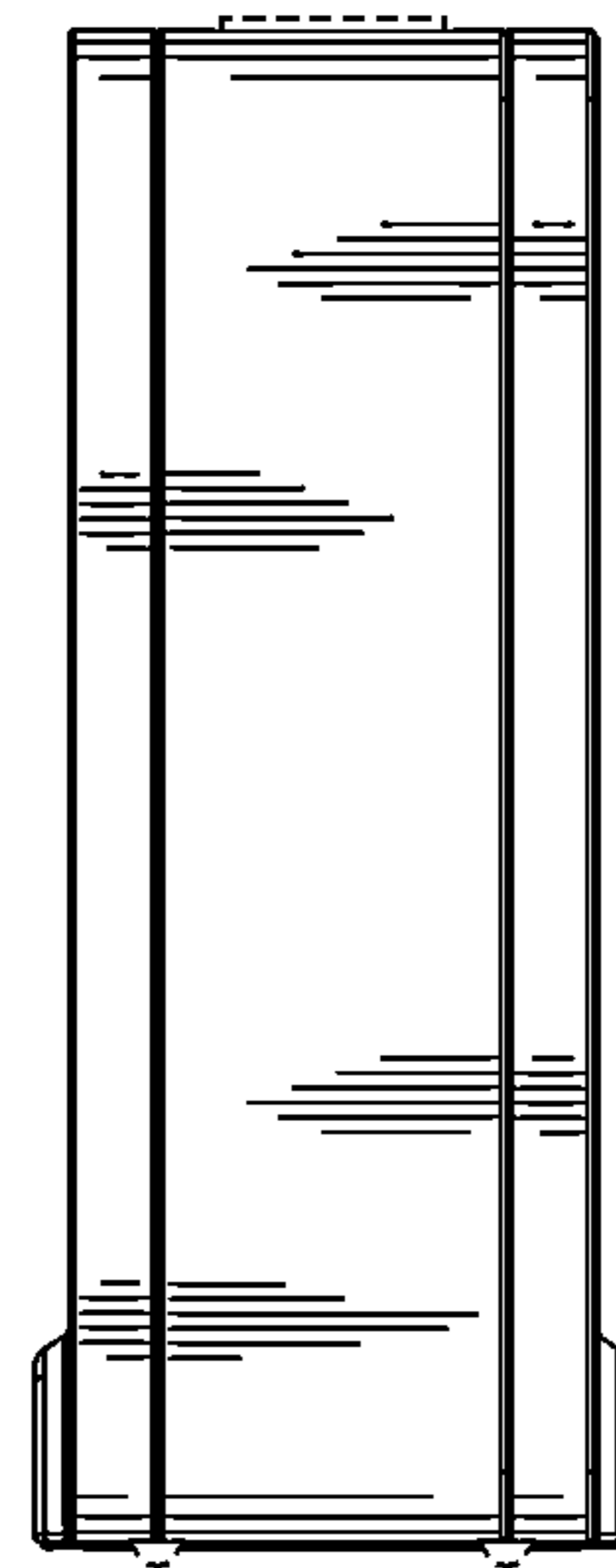


FIG. 5

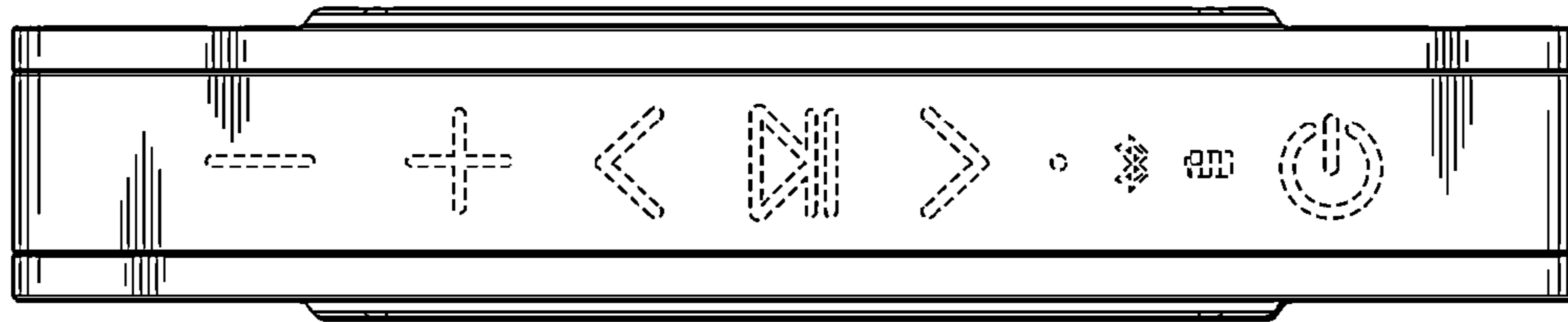


FIG. 6

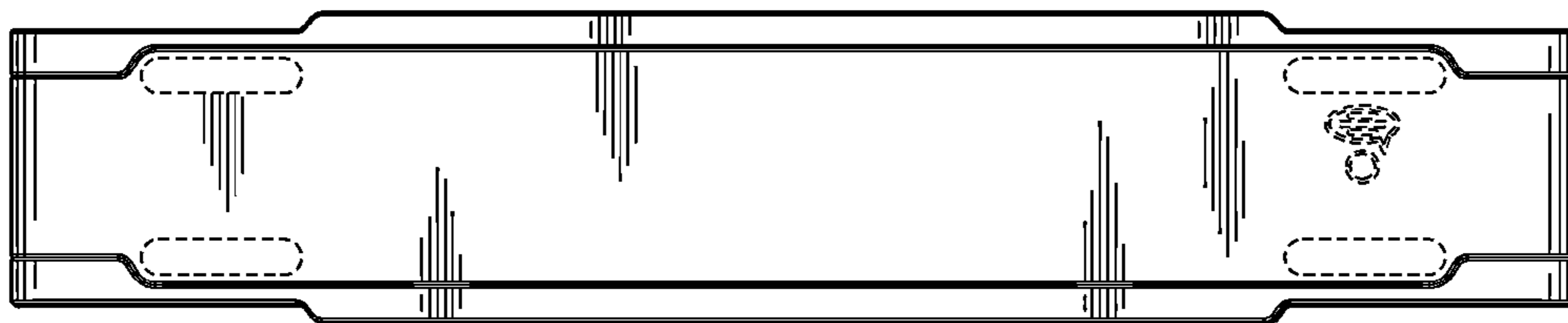


FIG. 7