



US00D726150S

(12) **United States Design Patent**
Shih

(10) **Patent No.:** **US D726,150 S**
(45) **Date of Patent:** **** Apr. 7, 2015**

(54) **SPEAKER**

(71) Applicant: **AmTRAN Technology Co., Ltd.**, New Taipei (TW)

(72) Inventor: **Yi-Hsiu Shih**, New Taipei (TW)

(73) Assignee: **AmTRAN Technology Co., Ltd.**, New Taipei (TW)

(**) Term: **14 Years**

(21) Appl. No.: **29/478,089**

(22) Filed: **Dec. 31, 2013**

(51) **LOC (10) Cl.** **14-03**

(52) **U.S. Cl.**
USPC **D14/214**

(58) **Field of Classification Search**
USPC D14/167, 168, 170–172, 188, 194–196,
D14/204, 207, 209.1, 210–216, 219, 221,
D14/222, 224, 496; 181/143, 144, 147, 148,
181/150, 153, 157, 198, 199; 381/300–303,
381/306, 332, 333, 336, 345, 361–364,
381/386–388; 369/6–12
See application file for complete search history.

(56) **References Cited**

U.S. PATENT DOCUMENTS

D560,205 S * 1/2008 Bhavnani D14/171
D597,064 S * 7/2009 Machida D14/167

D621,384 S * 8/2010 Kao D14/214
D690,287 S * 9/2013 Belfanti et al. D14/214
D697,052 S * 1/2014 Loudon et al. D14/214
D707,203 S * 6/2014 Xie et al. D14/214
D715,258 S * 10/2014 Osborn et al. D14/214

* cited by examiner

Primary Examiner — Keli L Hill

(74) *Attorney, Agent, or Firm* — Muncy, Geissler, Olds & Lowe, P.C.

(57) **CLAIM**

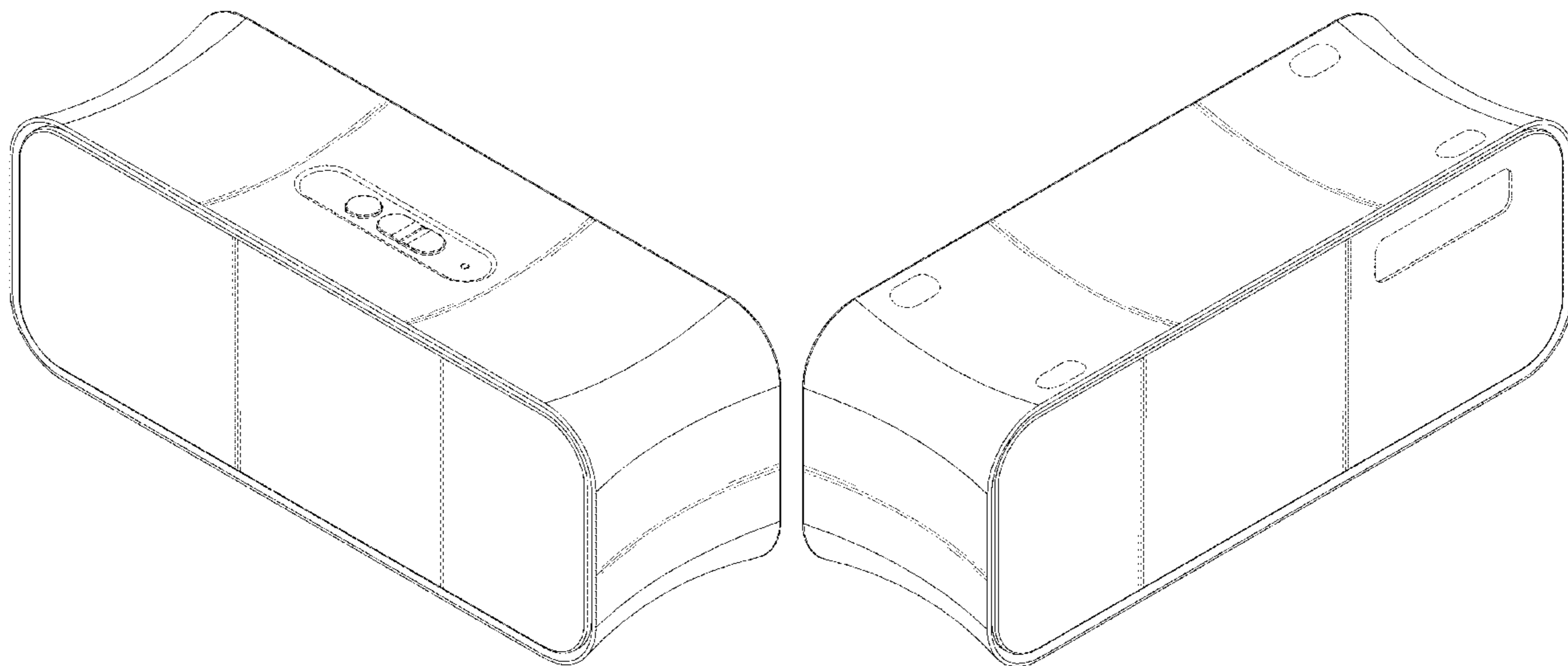
The ornamental design for a “speaker,” as shown and described.

DESCRIPTION

FIG. 1 is a perspective view of speaker showing our new design;
FIG. 2 is another perspective view of speaker showing our new design;
FIG. 3 is a front view thereof;
FIG. 4 is a rear view thereof;
FIG. 5 is a left side elevational view thereof;
FIG. 6 is a right side elevational view thereof;
FIG. 7 is a top view thereof; and,
FIG. 8 is a bottom view thereof.

The dashed lines in FIGS. 1-8 show the environment and do not form a part of the design sought to be patented.

1 Claim, 6 Drawing Sheets



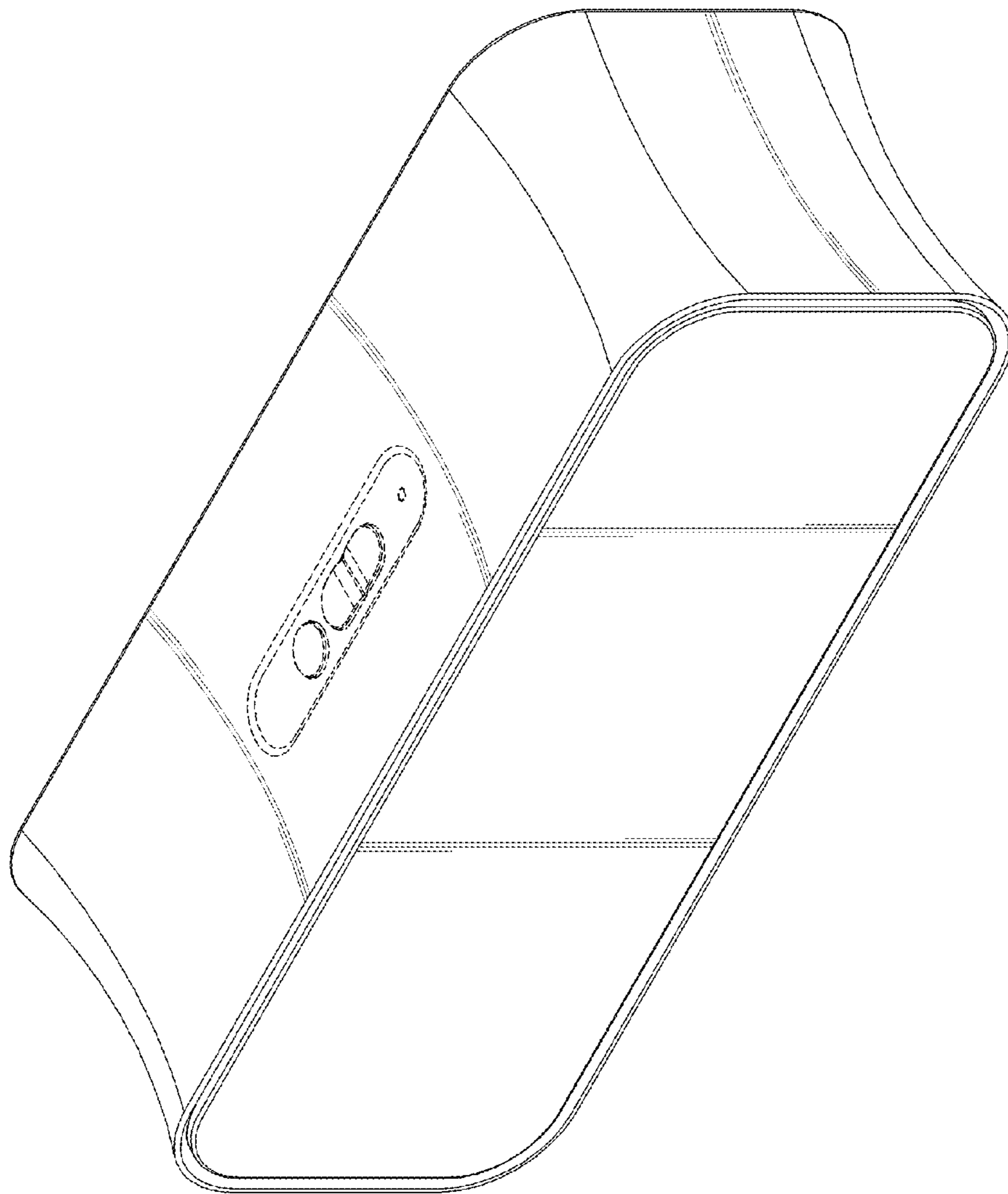


FIG.1

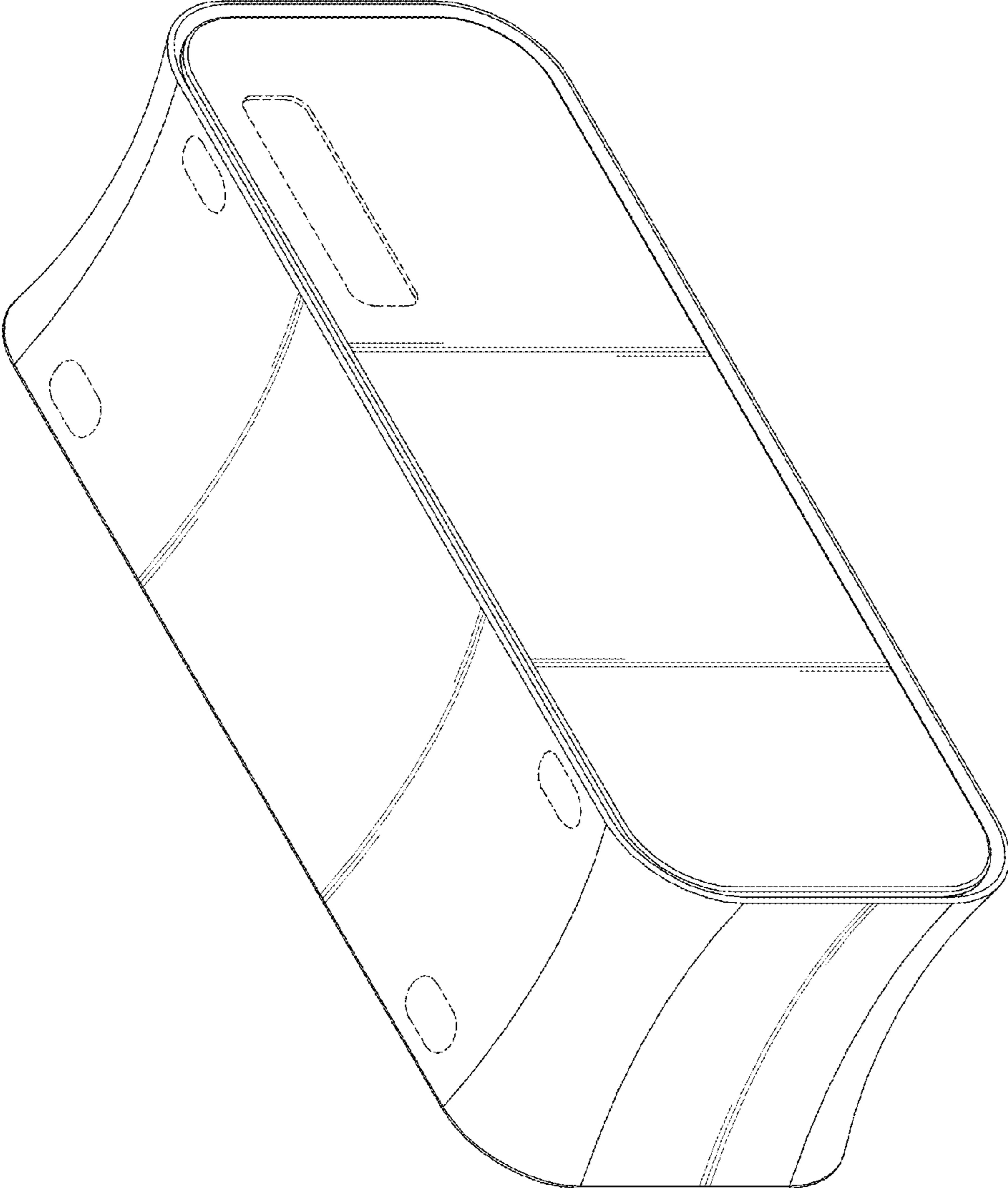


FIG.2

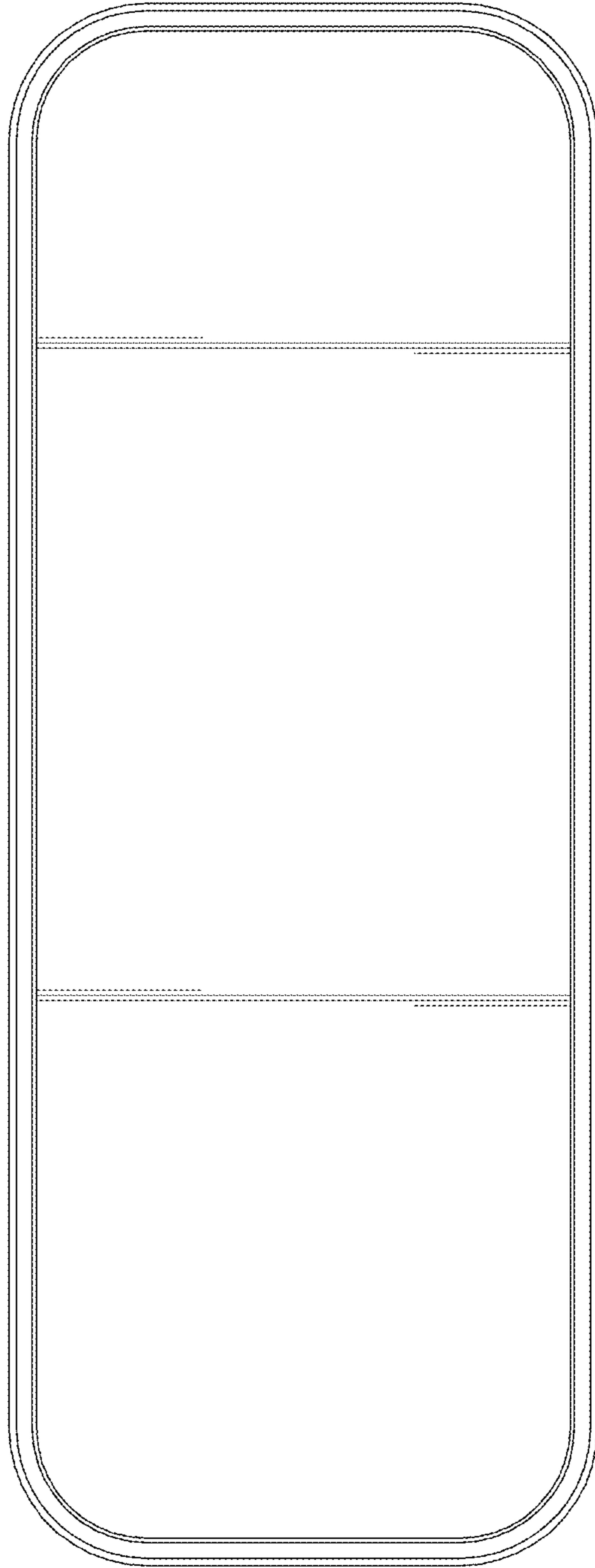


FIG. 3

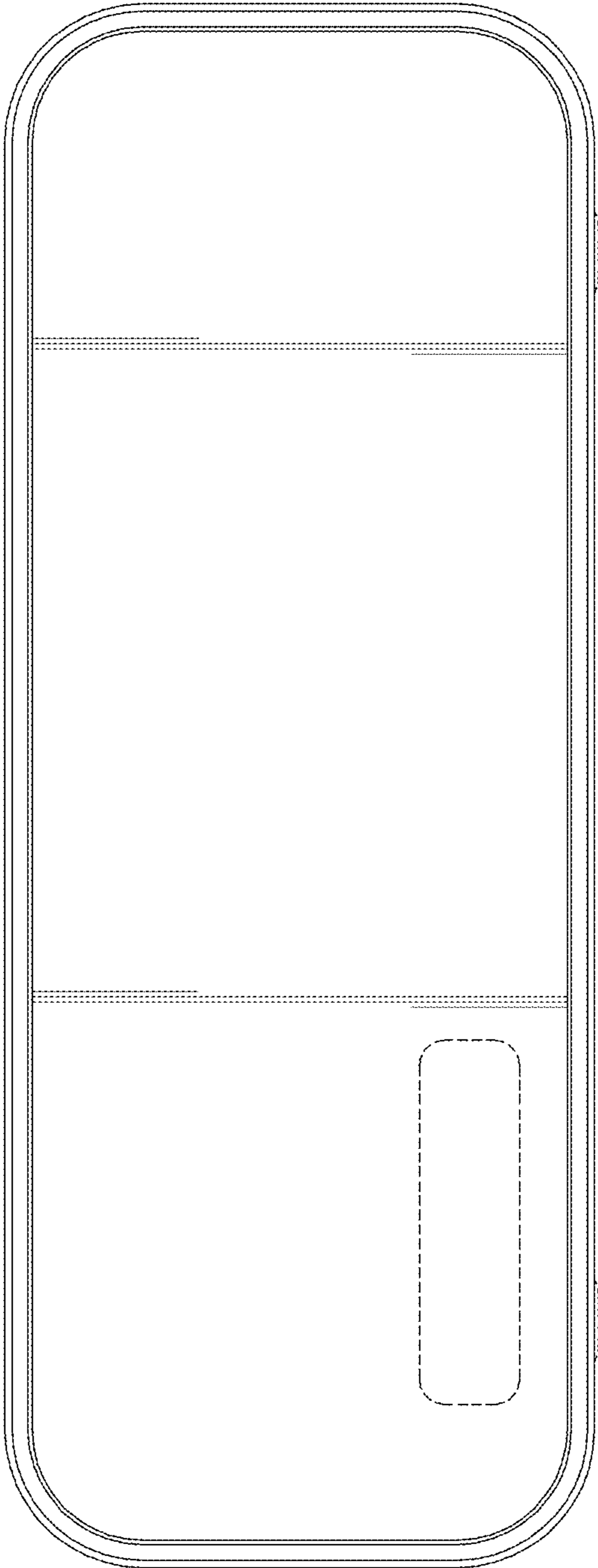


FIG.4

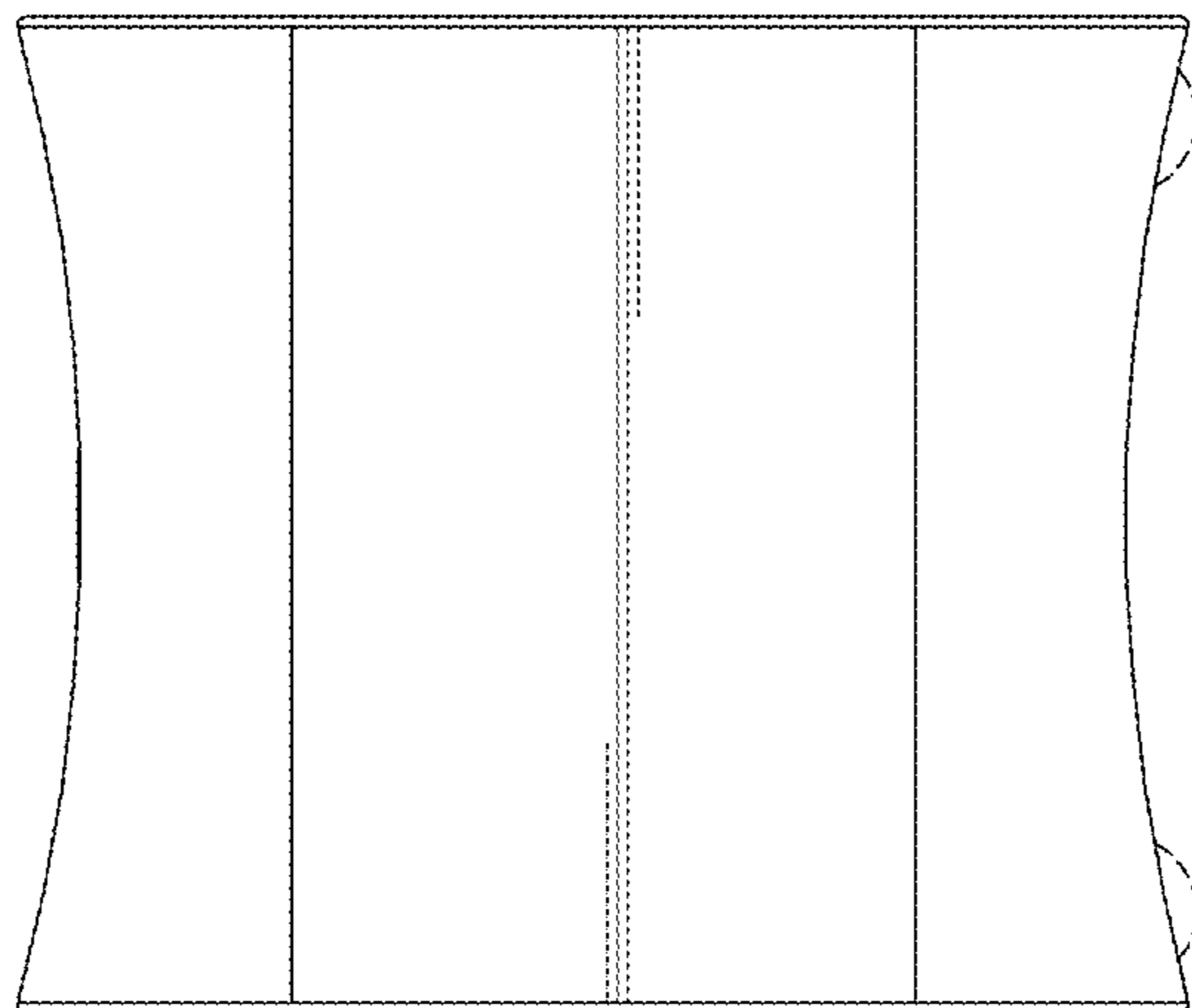


FIG. 6

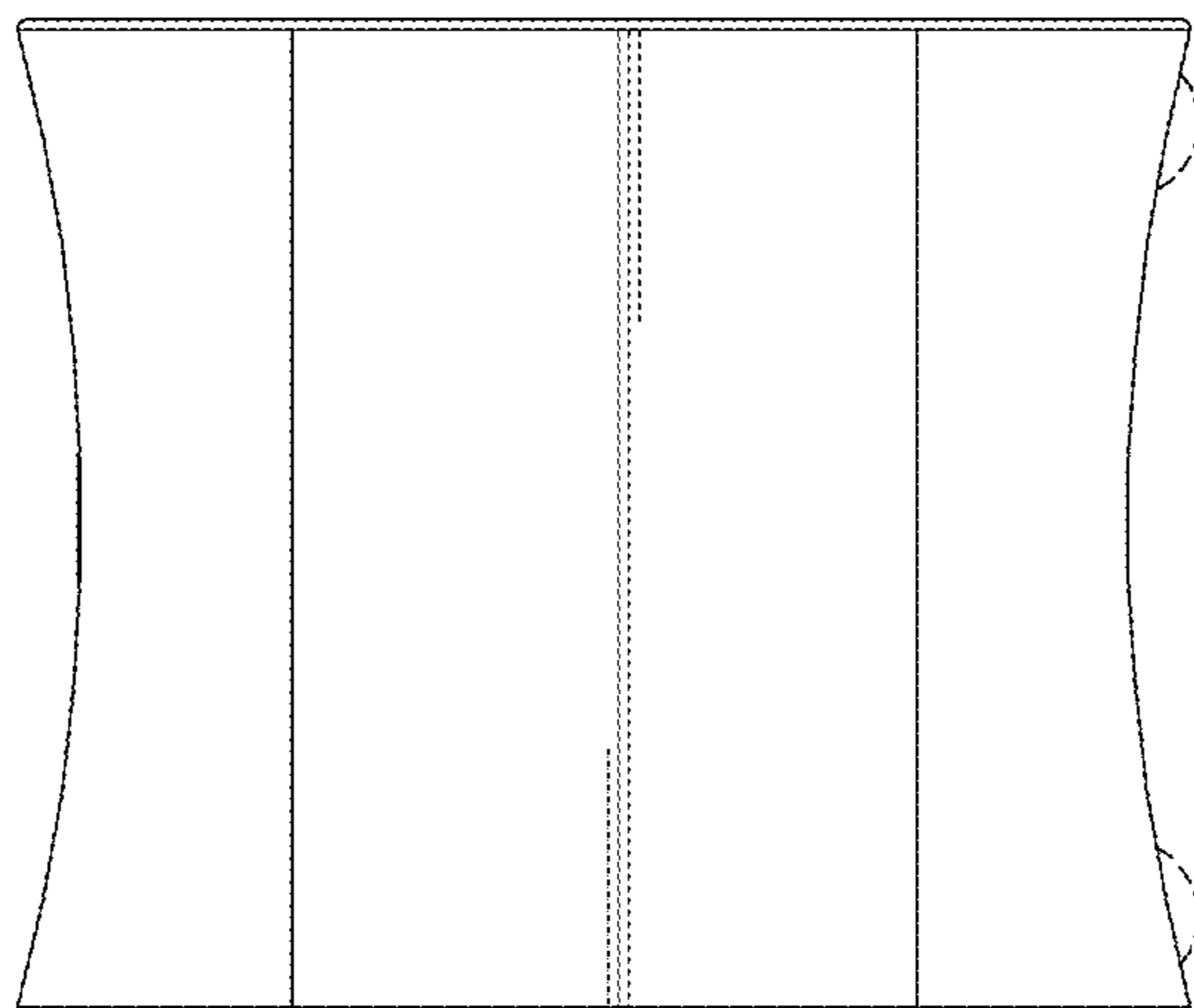


FIG. 5

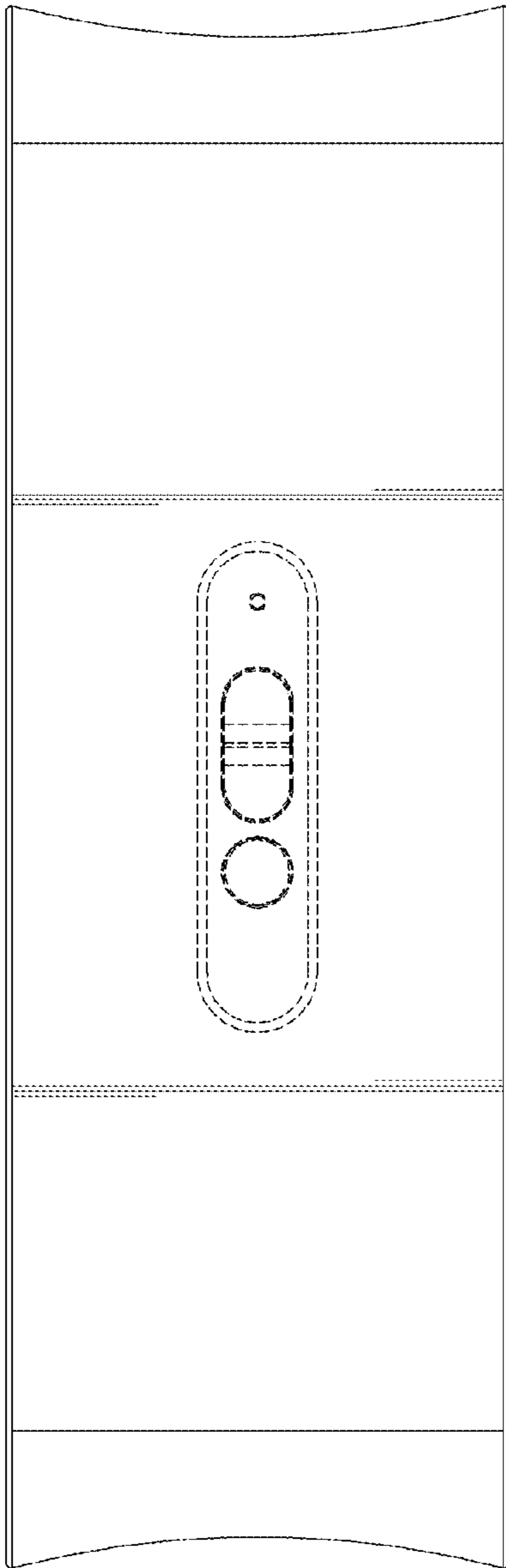


FIG. 7

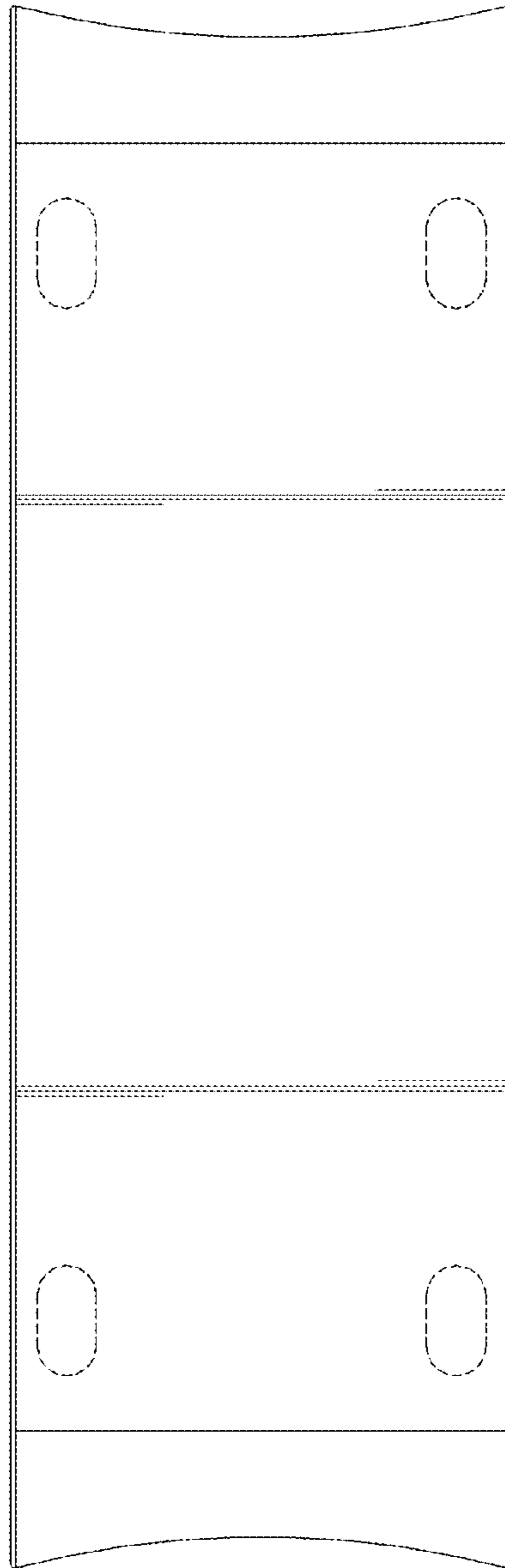


FIG. 8