



US00D726148S

(12) **United States Design Patent**
Ahn et al.

(10) **Patent No.:** **US D726,148 S**
(45) **Date of Patent:** **** Apr. 7, 2015**

(54) **SPEAKER**

(71) Applicant: **Samsung Electronics Co., Ltd.**,
Suwon-si, Gyeonggi-do (KR)
(72) Inventors: **Chi Young Ahn**, Seoul (KR); **Sang Min Hyun**, Seoul (KR)
(73) Assignee: **Samsung Electronics Co., Ltd.** (KR)

(**) Term: **14 Years**

(21) Appl. No.: **29/478,870**

(22) Filed: **Jan. 9, 2014**

(30) **Foreign Application Priority Data**

Jul. 9, 2013 (KR) 30-2013-0035279

(51) **LOC (10) Cl.** **14-01**

(52) **U.S. Cl.**
USPC **D14/209.1**

(58) **Field of Classification Search**
USPC D14/204, 209.1, 210–216, 172, 434;
181/143, 144, 147, 148, 150–153, 157,
181/198, 199; 381/300–306, 332, 333, 336,
381/345, 361–364

See application file for complete search history.

(56) **References Cited**

U.S. PATENT DOCUMENTS

6,968,068	B1 *	11/2005	Amsel	381/334
D535,942	S *	1/2007	Kim	D13/108
7,319,767	B2 *	1/2008	Fidlin et al.	381/182
8,180,095	B2 *	5/2012	Zhang	381/387
D687,013	S *	7/2013	Ryu et al.	D14/209.1
D711,364	S *	8/2014	Barker	D14/252
D712,369	S *	9/2014	Yoshida	D14/142
D714,758	S *	10/2014	Lee et al.	D14/209.1

* cited by examiner

Primary Examiner — Prabhakar Deshmukh
(74) *Attorney, Agent, or Firm* — Cantor Colburn LLP

(57) **CLAIM**
We claim, the ornamental design for a speaker, as shown and described.

DESCRIPTION

FIG. 1 is front perspective view of a speaker showing our new design;
FIG. 2 is a front elevation view thereof;
FIG. 3 is a rear elevation thereof;
FIG. 4 is a side elevation thereof;
FIG. 5 is another side view thereof;
FIG. 6 is a top plan view thereof; and,
FIG. 7 is a bottom plan view thereof.
The broken lines are for environmental purpose and form no part of the claimed design.

1 Claim, 7 Drawing Sheets

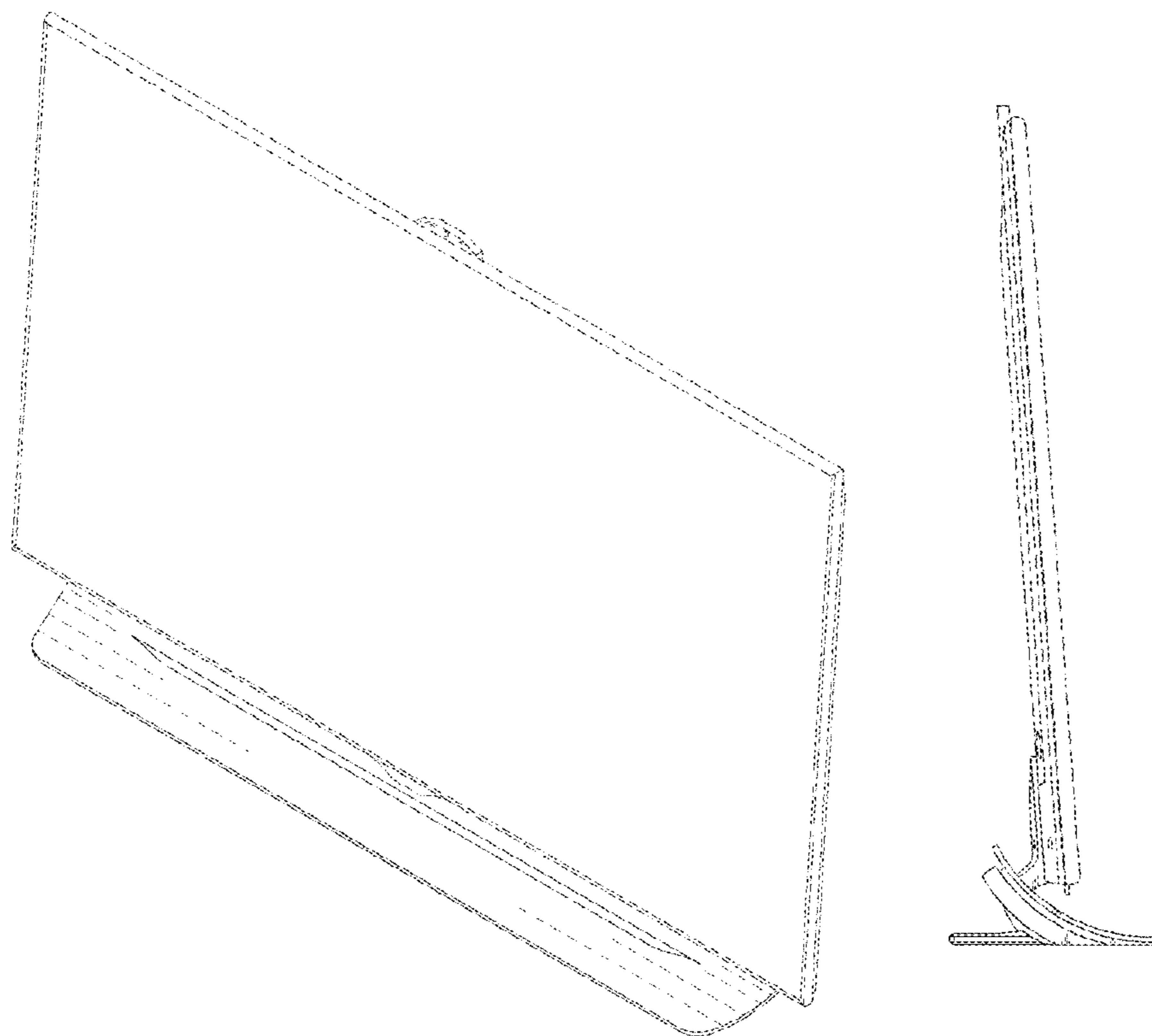


Fig. 1

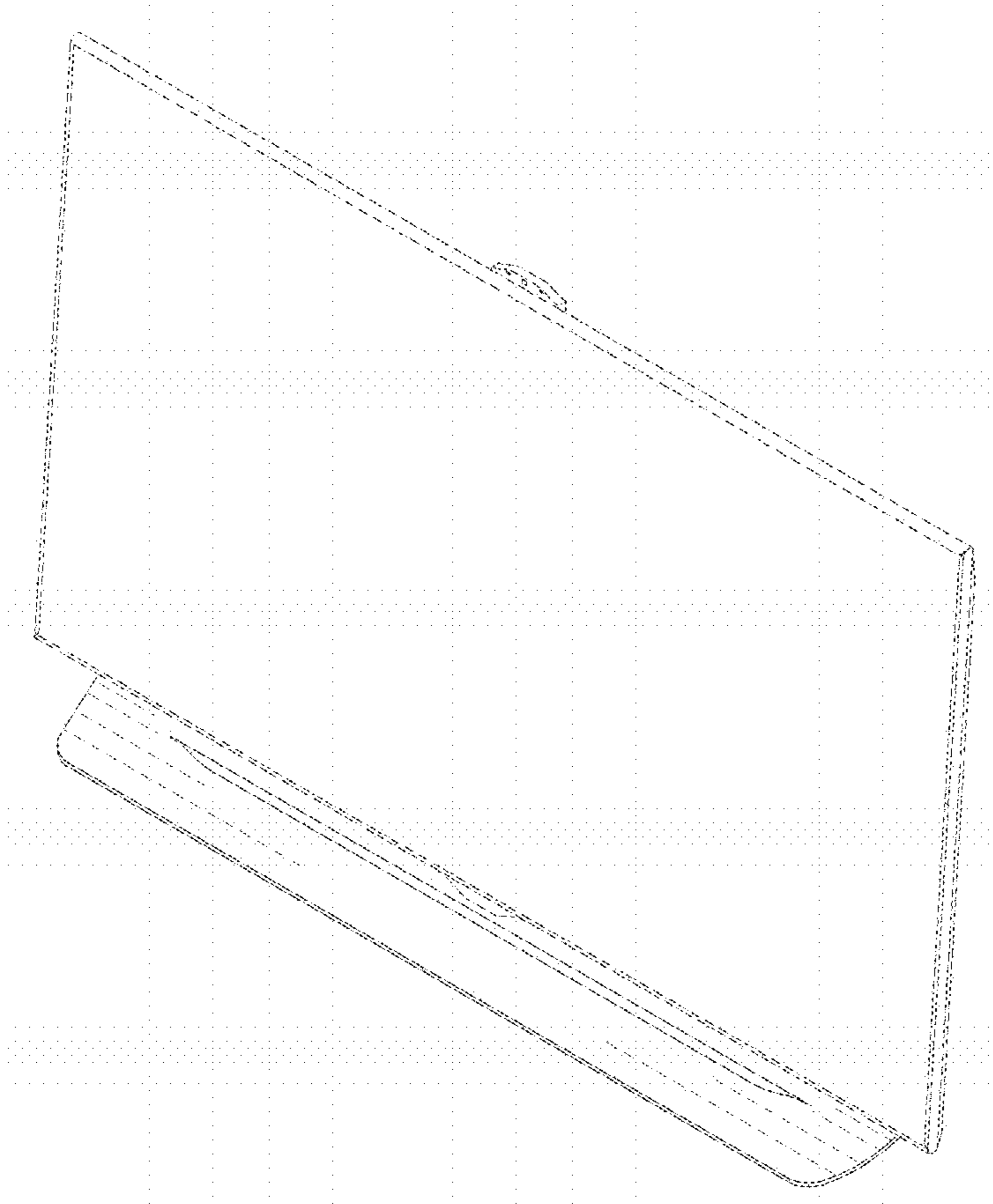


Fig. 2

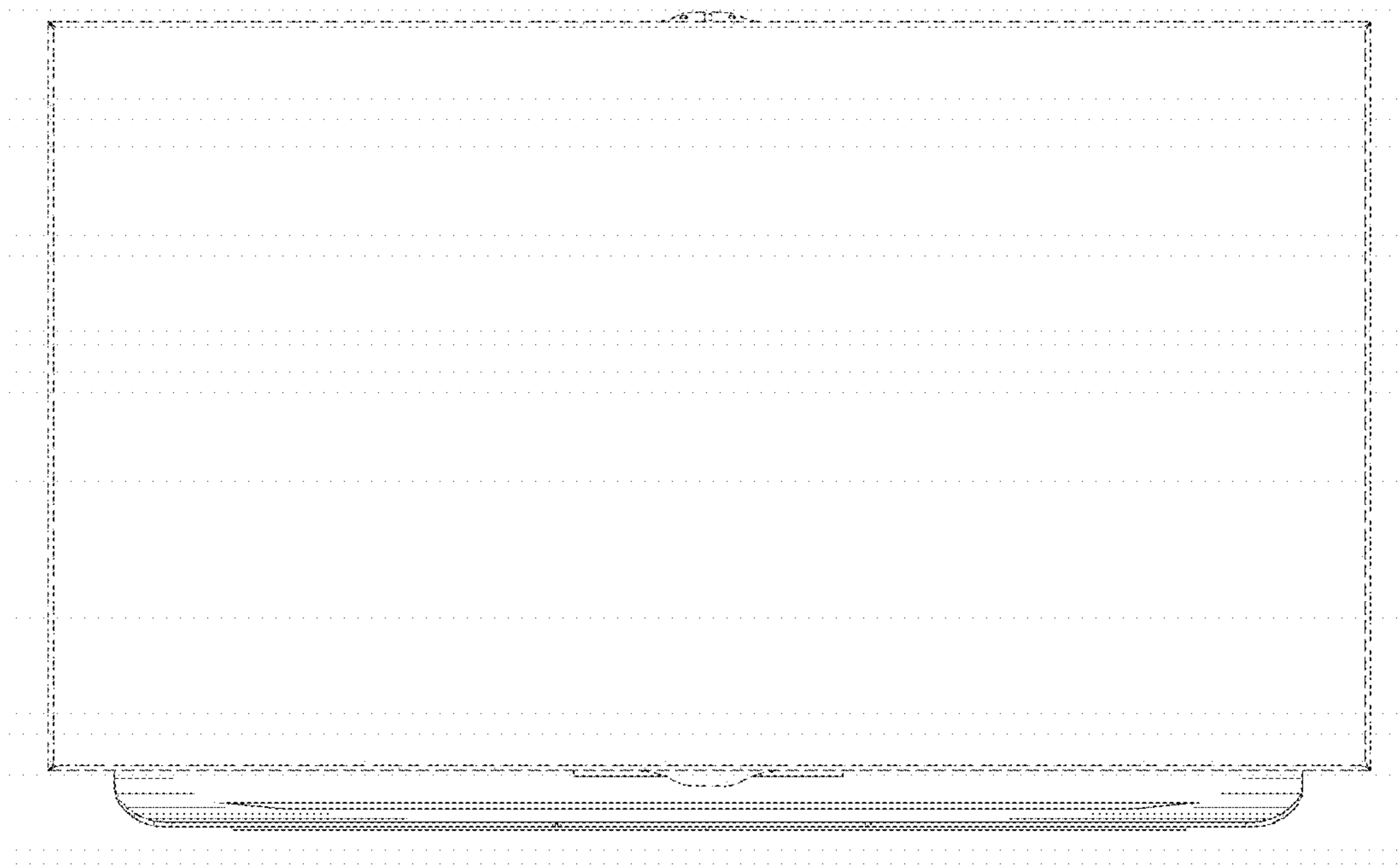


Fig. 3

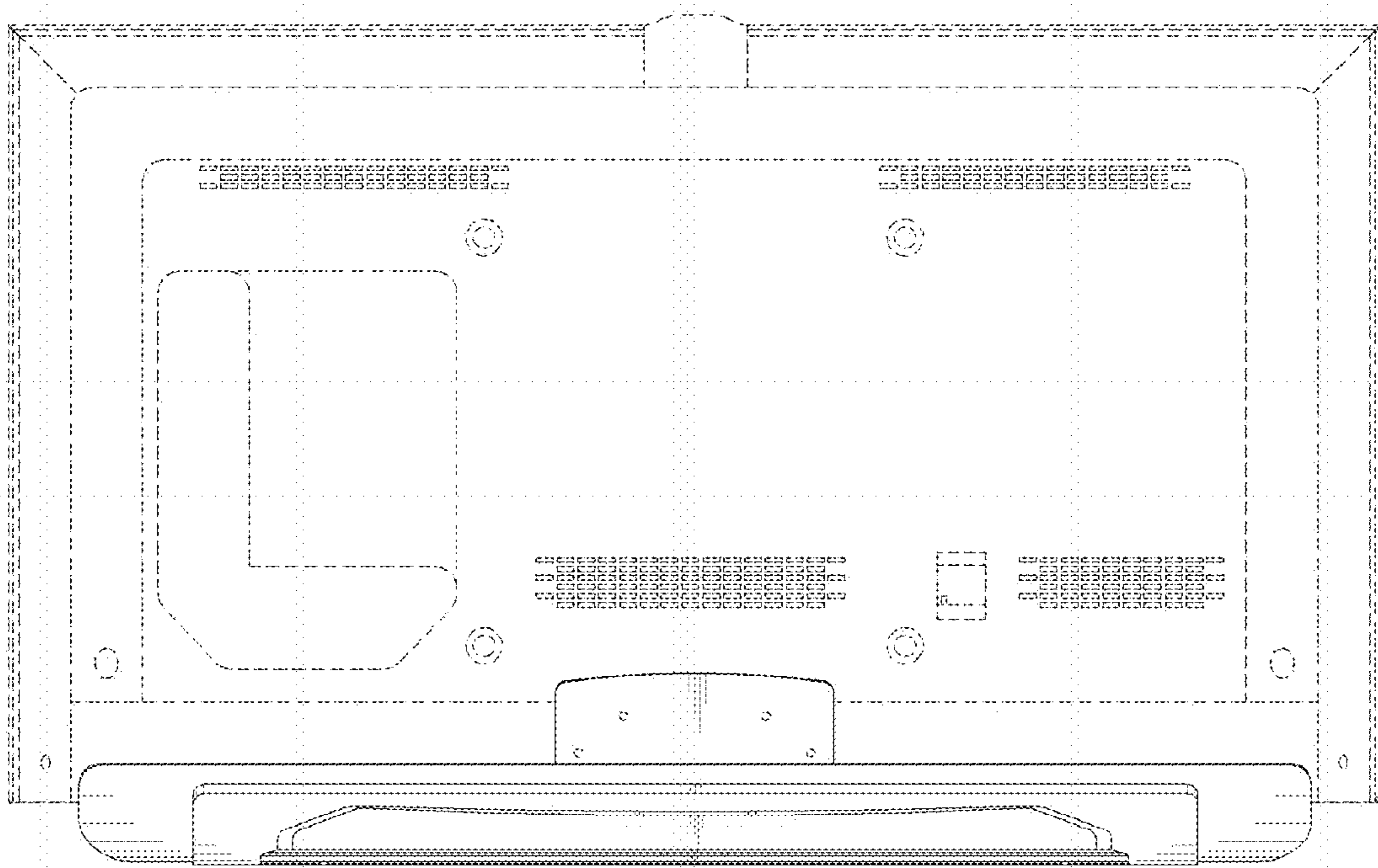


Fig. 4

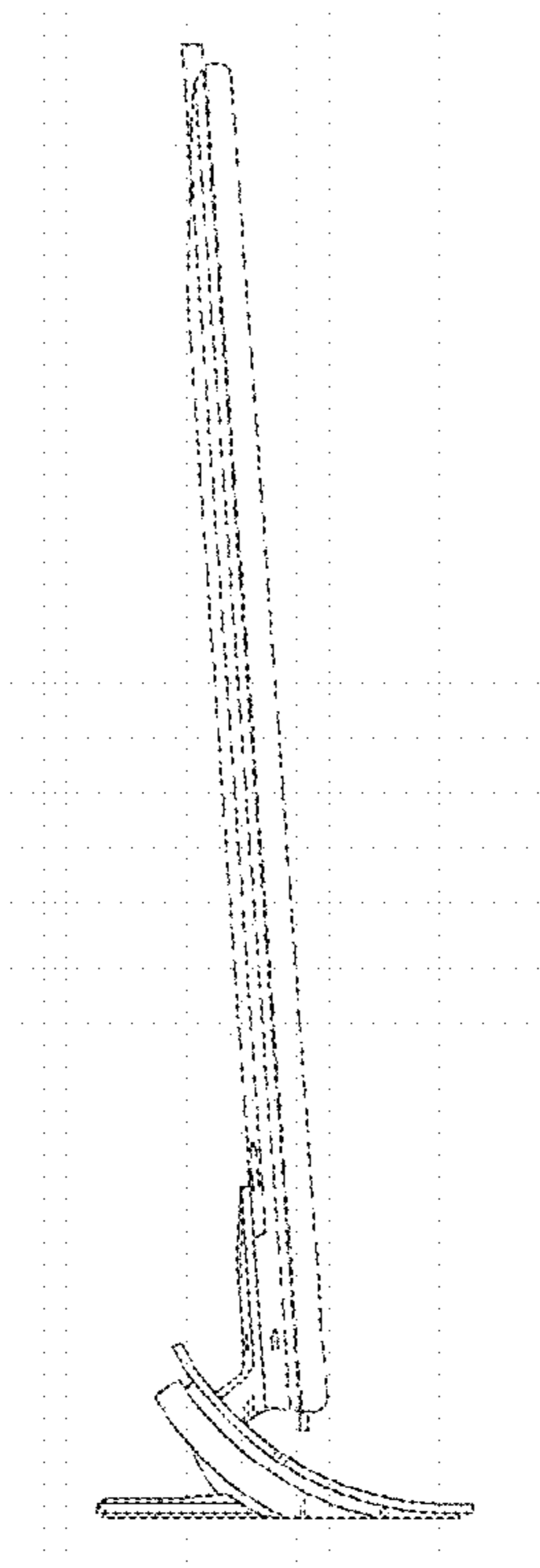


Fig. 5

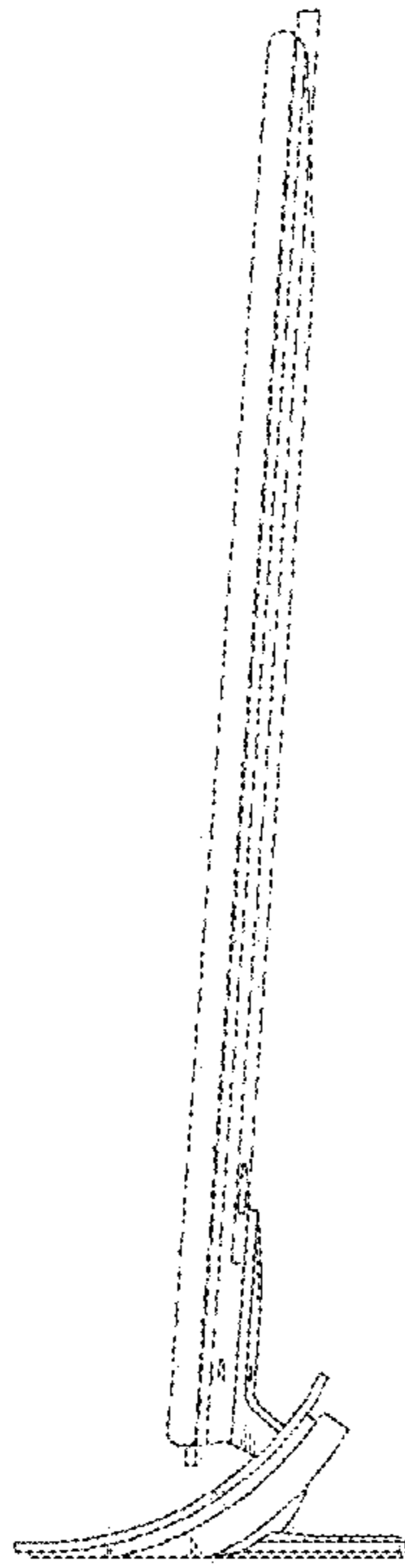


Fig. 6

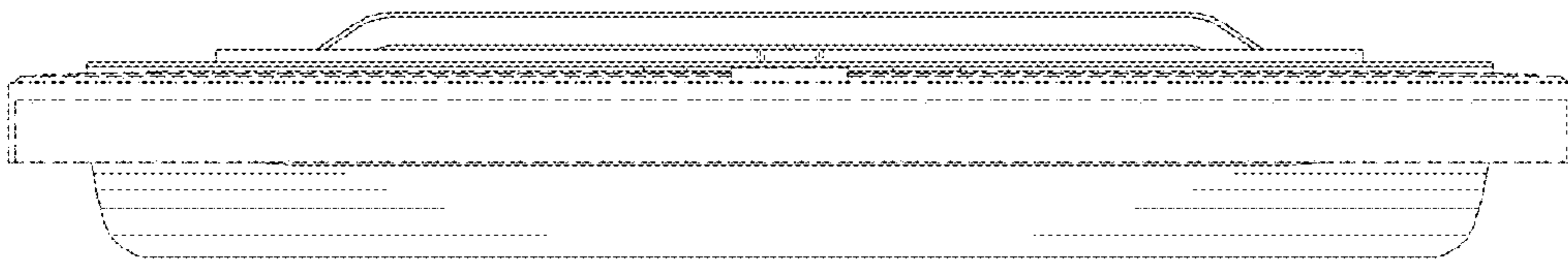


Fig. 7

