



US00D726147S

(12) **United States Design Patent**  
**Tran et al.**

(10) **Patent No.:** **US D726,147 S**  
(45) **Date of Patent:** **\*\* Apr. 7, 2015**

(54) **EARPIECE AUDIO DEVICE**

(71) Applicant: **Motorola Solutions, Inc.**, Schaumburg, IL (US)

(72) Inventors: **Chi T. Tran**, Weston, FL (US); **Craig F Siddoway**, Davie, FL (US)

(73) Assignee: **Motorola Solutions, Inc.**, Schaumburg, IL (US)

(\*\*) Term: **14 Years**

(21) Appl. No.: **29/482,622**

(22) Filed: **Feb. 20, 2014**

(51) **LOC (10) Cl.** ..... **14-01**

(52) **U.S. Cl.**

USPC ..... **D14/206**

(58) **Field of Classification Search**

CPC ..... H04R 25/00

USPC ..... D14/206, 205, 223, 249, 226, 142;

181/129, 130, 135; 379/430, 431;

381/380, 381, 382, 374, 330, 375, 376,

381/385; 455/90.3, 575.1

See application file for complete search history.

(56) **References Cited**

**U.S. PATENT DOCUMENTS**

2,474,135 A \* 6/1949 White ..... 381/381

2,641,327 A \* 6/1953 Balmer ..... 181/129

(Continued)

**OTHER PUBLICATIONS**

Motorola Solutions, Inc.—Lightweight Headsets—Extracted from:  
www.motorolasolutions.com/US-EN/  
Business+Product+and+Services/Accessories/Two-  
Way+Radio+Accessories/Audio+Accessories/Headsets/  
Lightweight+Headsets—Copyright 2014—pp. 3-6.

(Continued)

*Primary Examiner* — Paula Greene

(74) *Attorney, Agent, or Firm* — Barbara R. Doutre

(57) **CLAIM**

The ornamental design for an earpiece audio device, as shown and described.

**DESCRIPTION**

FIG. 1 is a rear perspective view of an ornamental design for an earpiece audio device in accordance with a first embodiment;

FIG. 2 is a front perspective view thereof;

FIG. 3 is a rear view thereof;

FIG. 4 is a front view thereof;

FIG. 5 is a first side view thereof;

FIG. 6 is a second side view thereof;

FIG. 7 is a top view thereof; and

FIG. 8 is a bottom view thereof;

FIG. 9 is a rear perspective view of an ornamental design for an earpiece audio device in accordance with a second embodiment;

FIG. 10 is a front perspective view thereof;

FIG. 11 is a rear view thereof;

FIG. 12 is a front view thereof;

FIG. 13 is a first side view thereof;

FIG. 14 is a second side view thereof;

FIG. 15 is a top view thereof; and

FIG. 16 is a bottom view thereof;

FIG. 17 is a rear perspective view of an ornamental design for an earpiece audio device in accordance with a third embodiment;

FIG. 18 is a front perspective view thereof;

FIG. 19 is a rear view thereof;

FIG. 20 is a front view thereof;

FIG. 21 is a first side view thereof;

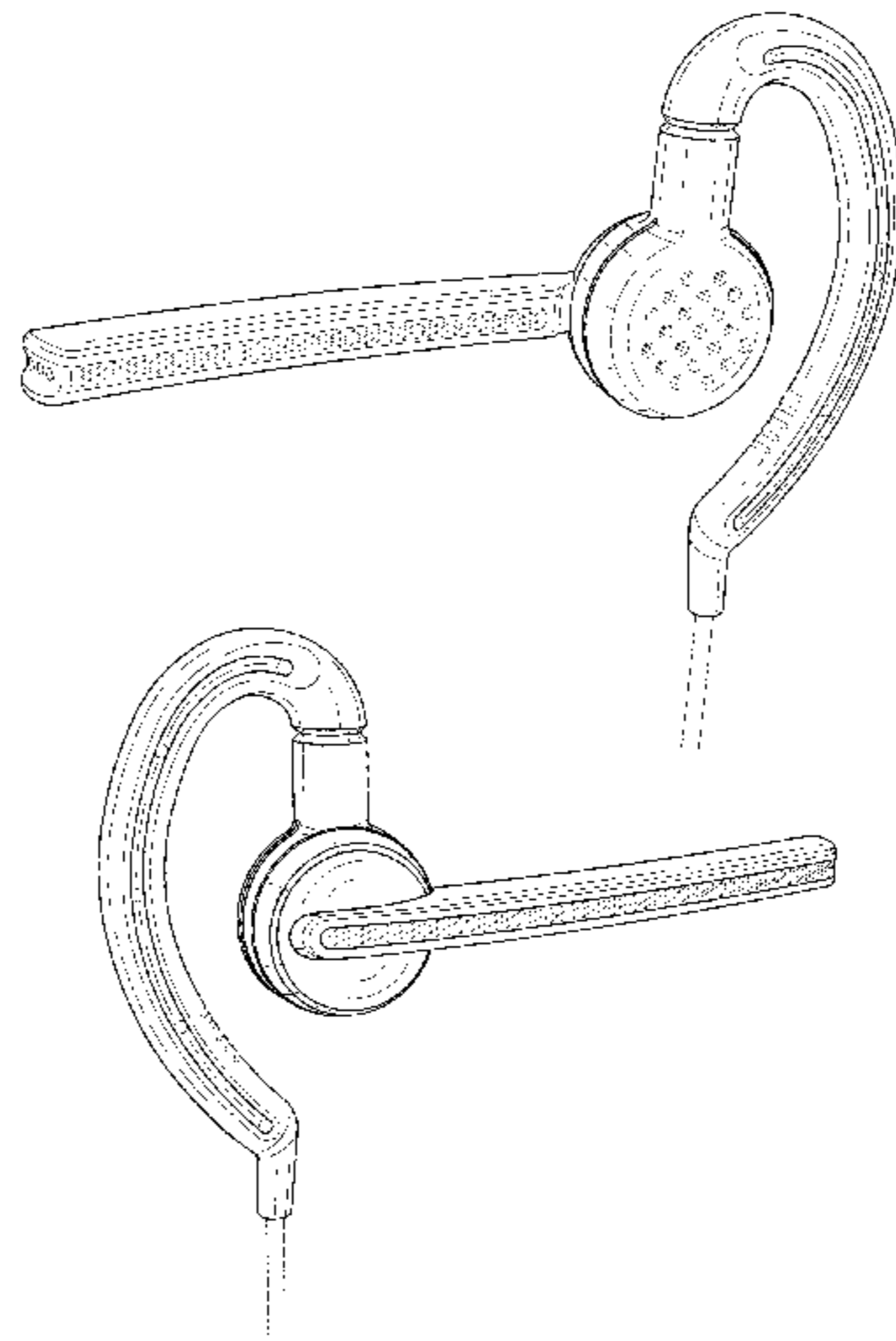
FIG. 22 is a second side view thereof;

FIG. 23 is a top view thereof; and,

FIG. 24 is a bottom view thereof.

The broken lines shown in FIGS. 1-24 are included for the purpose of illustrating environmental elements only and form no part of the claimed design.

**1 Claim, 12 Drawing Sheets**



(56)

## References Cited

## U.S. PATENT DOCUMENTS

4,335,281	A *	6/1982	Scott et al. ....	379/430
4,893,344	A *	1/1990	Tragardh et al. ....	381/381
4,917,504	A *	4/1990	Scott et al. ....	381/381
D309,306	S *	7/1990	Weiser et al. ....	D14/249
5,210,792	A *	5/1993	Kajihara ....	379/430
5,412,736	A *	5/1995	Keliiliki ....	381/381
D375,313	S *	11/1996	Jensen et al. ....	D14/206
5,625,171	A *	4/1997	Marshall ....	181/130
5,708,724	A *	1/1998	Burris et al. ....	381/370
D403,327	S *	12/1998	Landreth et al. ....	D14/223
D420,007	S *	2/2000	Marshall et al. ....	D14/226
6,101,260	A *	8/2000	Jensen et al. ....	381/381
D431,030	S *	9/2000	Yoon ....	D14/142
D431,235	S *	9/2000	Lyman et al. ....	D14/142
D451,906	S *	12/2001	Amae et al. ....	D14/223
D451,907	S *	12/2001	Amae et al. ....	D14/223
6,427,018	B1 *	7/2002	Keliiliki ....	381/381
D464,943	S *	10/2002	Lai ....	D14/206
D464,944	S *	10/2002	Lee et al. ....	D14/206
D467,908	S *	12/2002	Bey et al. ....	D14/223
D470,128	S *	2/2003	Hlas et al. ....	D14/223
D478,901	S *	8/2003	Rath et al. ....	D14/223
D492,667	S *	7/2004	Skulley et al. ....	D14/223
6,771,790	B2 *	8/2004	Liu ....	381/385
D500,999	S *	1/2005	Dyer et al. ....	D14/223
D501,196	S *	1/2005	Dyer et al. ....	D14/205
D506,462	S *	6/2005	Han et al. ....	D14/205
D506,994	S *	7/2005	Olson et al. ....	D14/223
D508,911	S *	8/2005	Sanders ....	D14/223
D518,479	S *	4/2006	Skulley ....	D14/225
7,106,877	B1 *	9/2006	Linville ....	381/381
D530,702	S *	10/2006	Prichard et al. ....	
D535,980	S *	1/2007	Bentley et al. ....	D14/225
D541,787	S *	5/2007	Ma ....	D14/205
D543,968	S *	6/2007	Wong ....	D14/205
D555,153	S *	11/2007	Wilson et al. ....	D14/223
D575,768	S *	8/2008	Wang ....	D14/206
D575,772	S *	8/2008	Schultz et al. ....	D14/223
D601,126	S *	9/2009	Christopher et al. ....	D14/206
D612,840	S *	3/2010	Yang et al. ....	D14/223
D617,780	S *	6/2010	Jaakkola et al. ....	D14/223
D624,529	S *	9/2010	Huang ....	D14/223
D635,960	S *	4/2011	Gondo et al. ....	D14/223
D645,454	S *	9/2011	Quek ....	D14/223
D653,649	S *	2/2012	Yang et al. ....	D14/206
D657,347	S *	4/2012	Chung et al. ....	D14/206
D671,915	S *	12/2012	Birger ....	D14/206
D681,003	S *	4/2013	Ham et al. ....	D14/206
D681,014	S *	4/2013	Ham et al. ....	D14/223
D684,145	S *	6/2013	Rath ....	D14/224
D691,113	S *	10/2013	Gougherty et al. ....	D14/206
D710,326	S *	8/2014	Burgett et al. ....	D14/206
D717,767	S *	11/2014	Mistry et al. ....	D14/206
2005/0286717	A1 *	12/2005	Viduya et al. ....	379/430

## OTHER PUBLICATIONS

Motorola Solutions, Inc.—Medium Weight Headsets—Extracted from: [www.motorolasolutions.com/US-EN/Business+Product+and+Services/Accessories/Two-Way+Radio+Accessories/Audio+Accessories/Headsets/Medium+Weight+Headsets](http://www.motorolasolutions.com/US-EN/Business+Product+and+Services/Accessories/Two-Way+Radio+Accessories/Audio+Accessories/Headsets/Medium+Weight+Headsets)—Copyright 2014—pp. 3-5.  
 Motorola Solutions, Inc.—Heavy Duty Headsets—Extracted from: [www.motorolasolutions.com/US-EN/Business+Product+and+Services/Accessories/Two-Way+Radio+Accessories/Audio+Accessories/Headsets/Heavy+Duty+Headsets](http://www.motorolasolutions.com/US-EN/Business+Product+and+Services/Accessories/Two-Way+Radio+Accessories/Audio+Accessories/Headsets/Heavy+Duty+Headsets)—Copyright 2014—pp. 3-5.

\* cited by examiner

FIG. 1

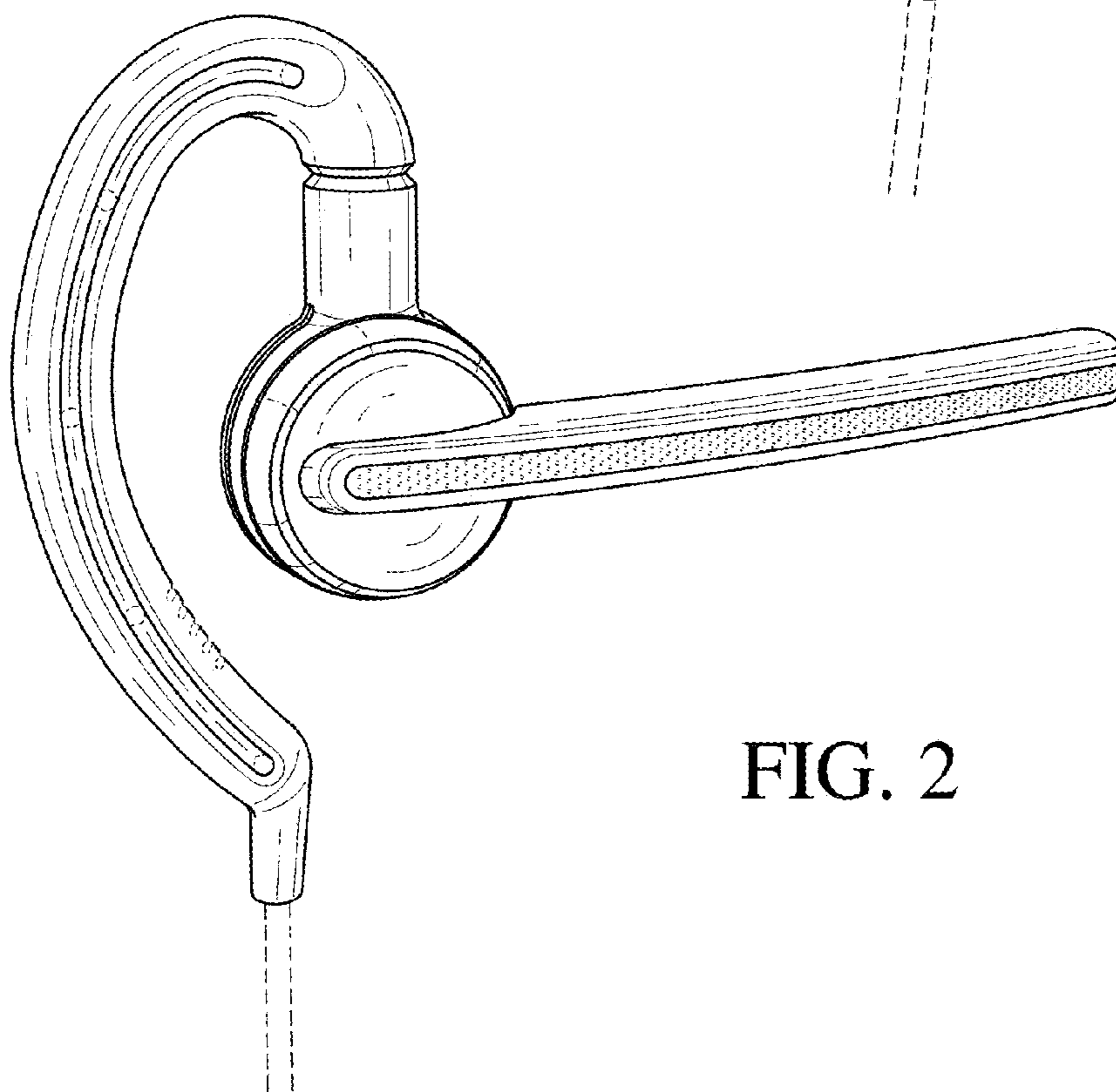
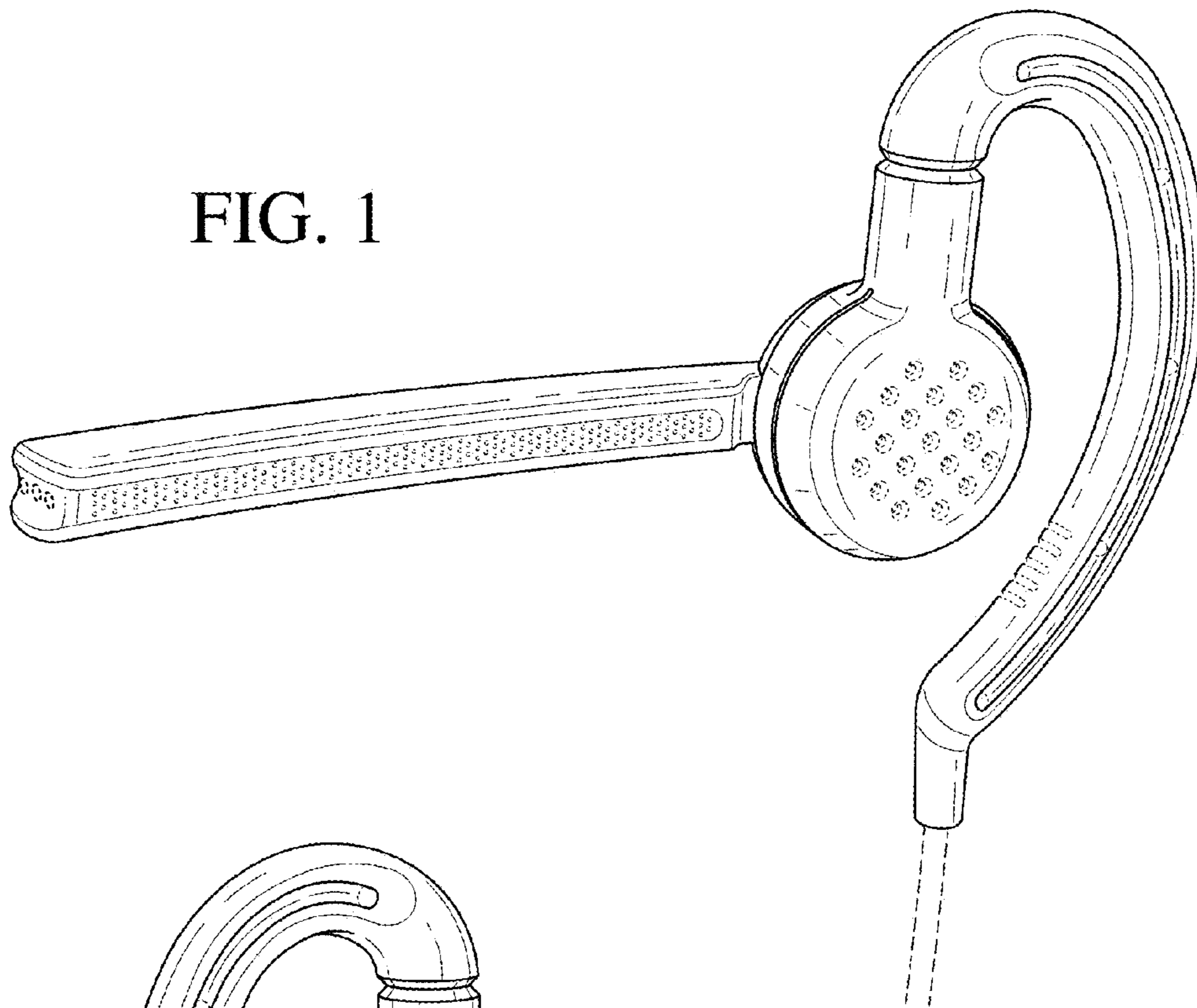


FIG. 2

FIG. 3

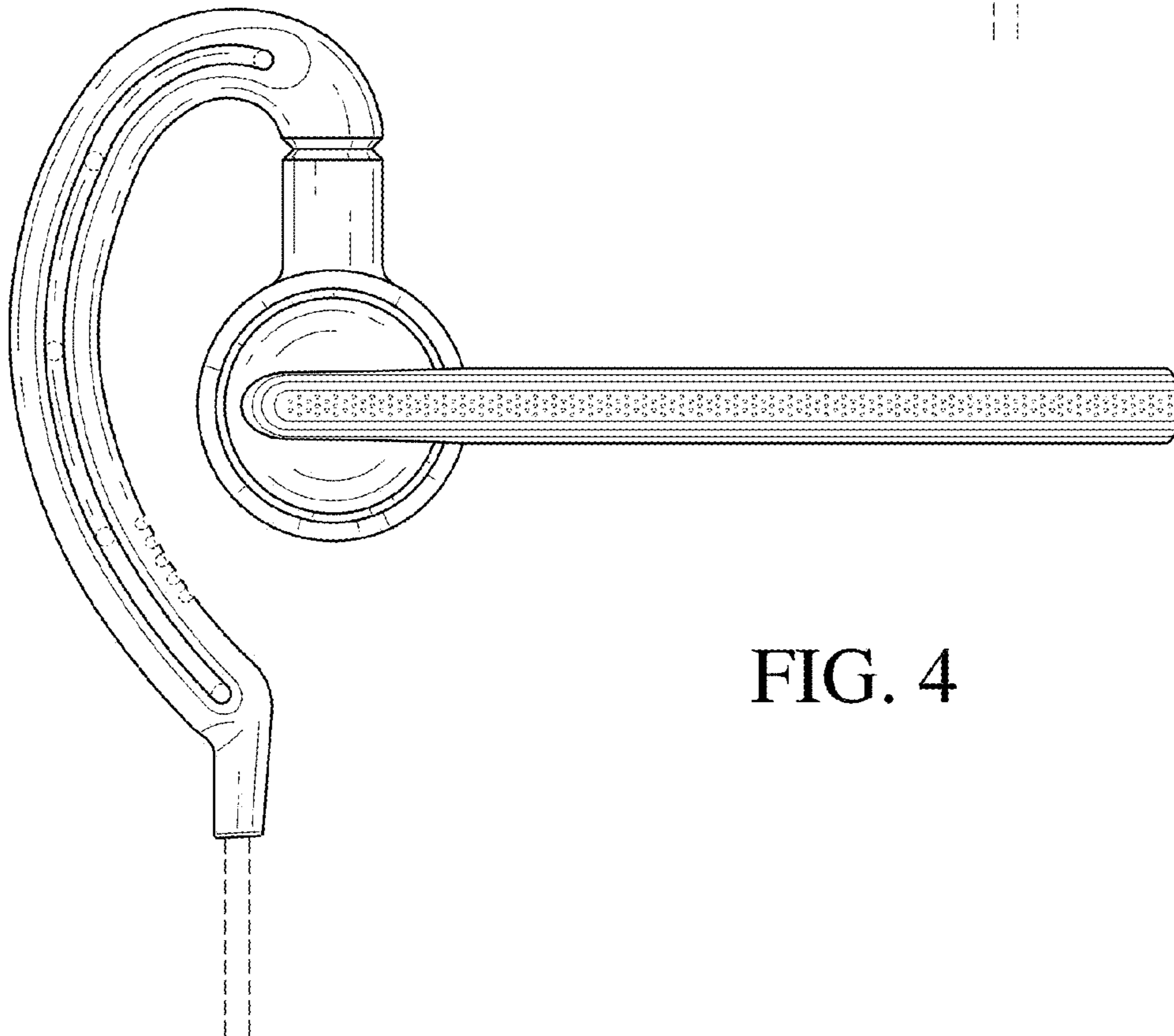
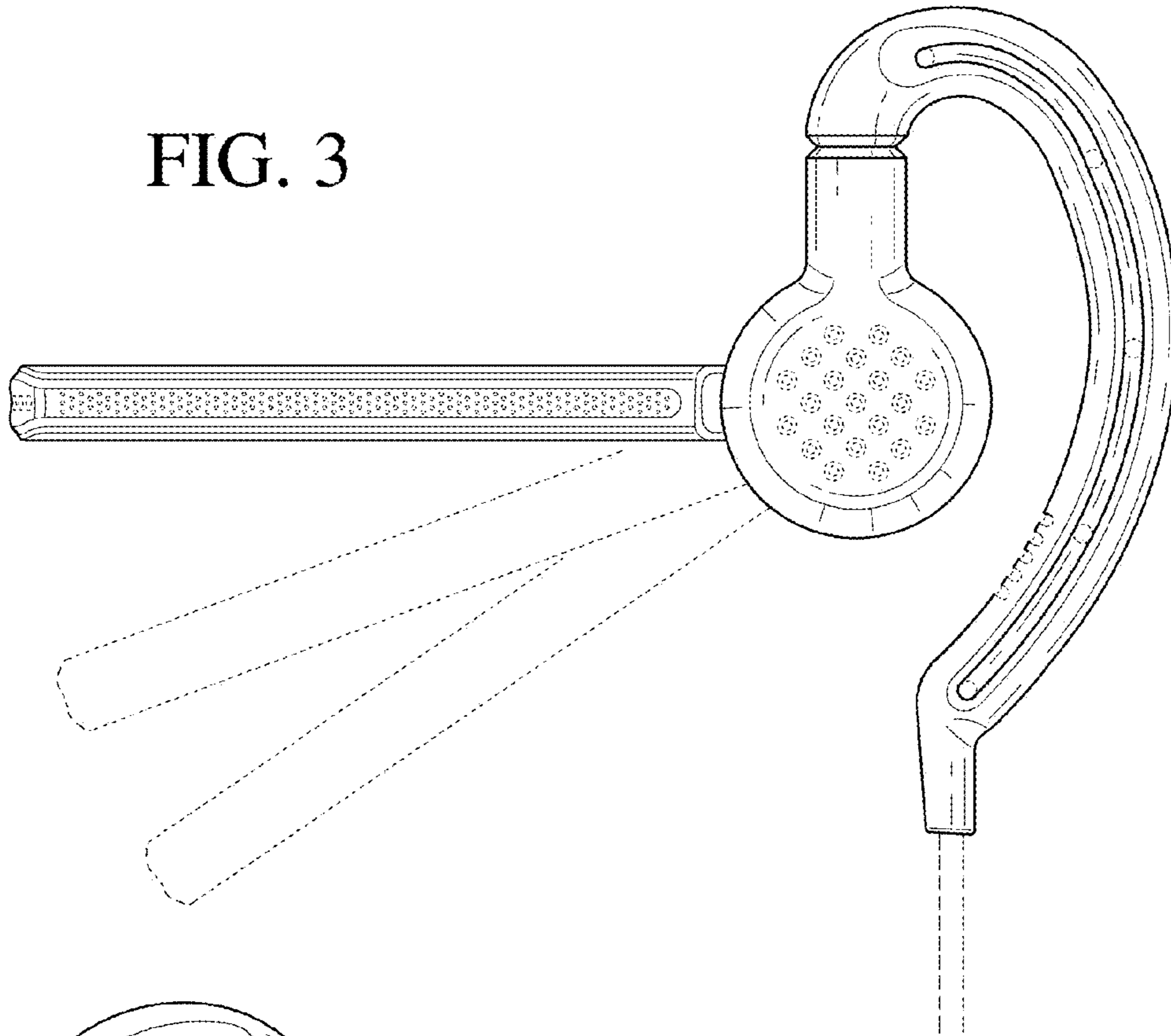


FIG. 4

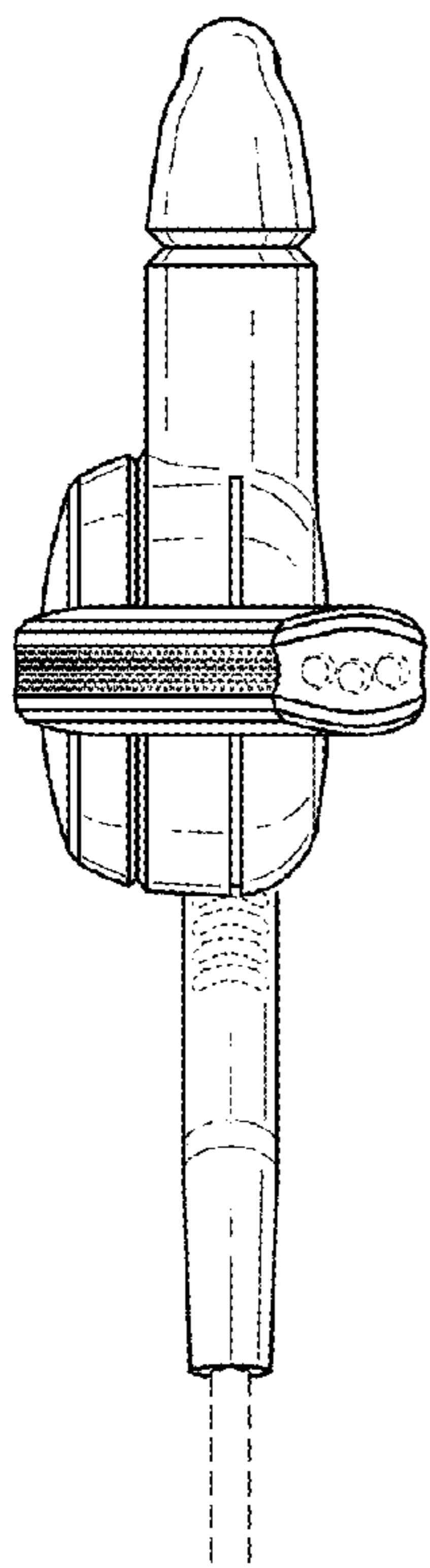


FIG. 5

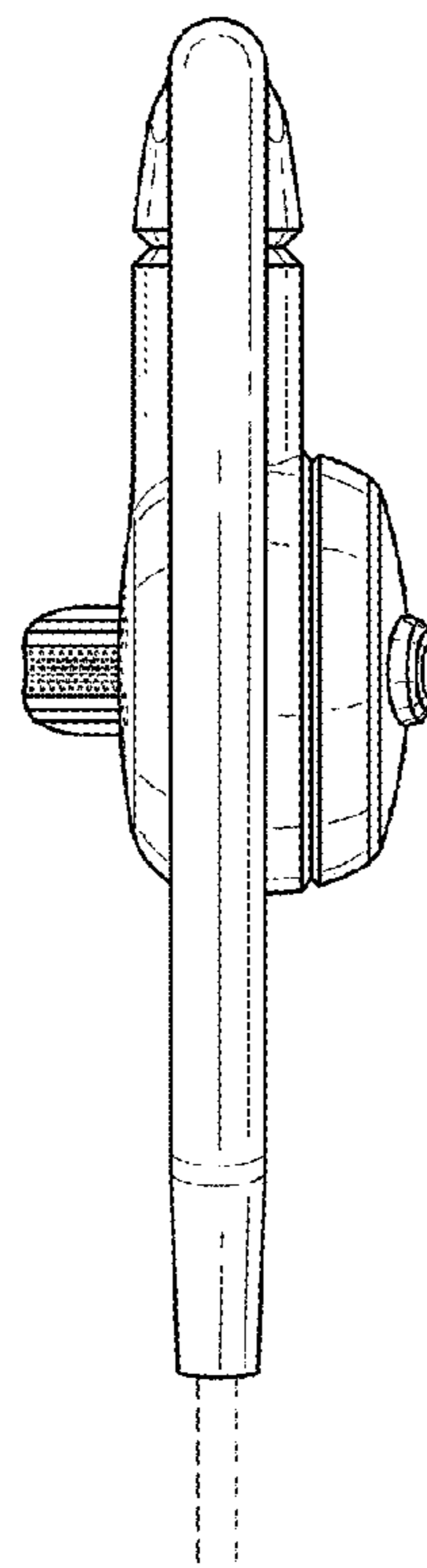


FIG. 6

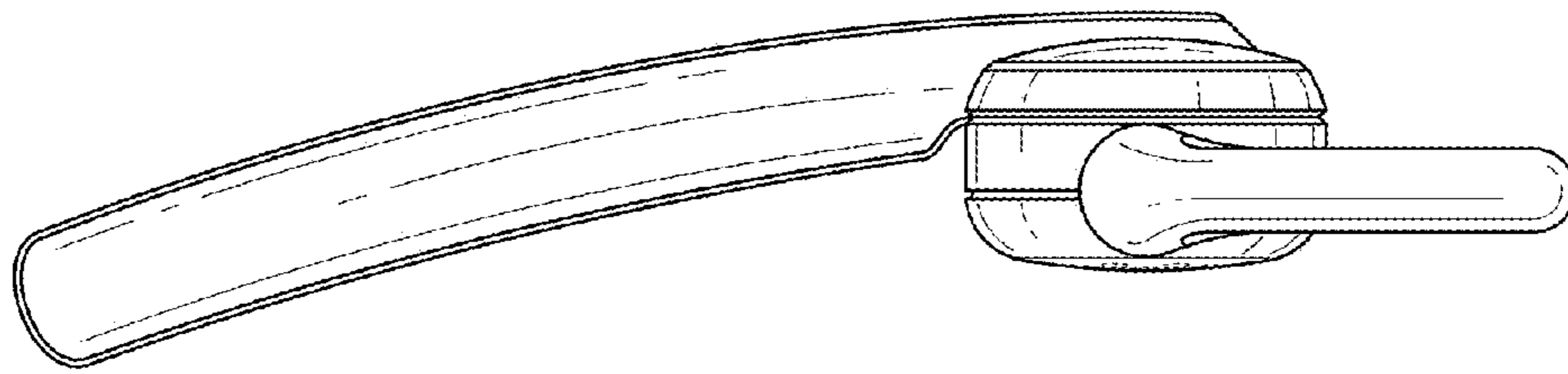


FIG. 7

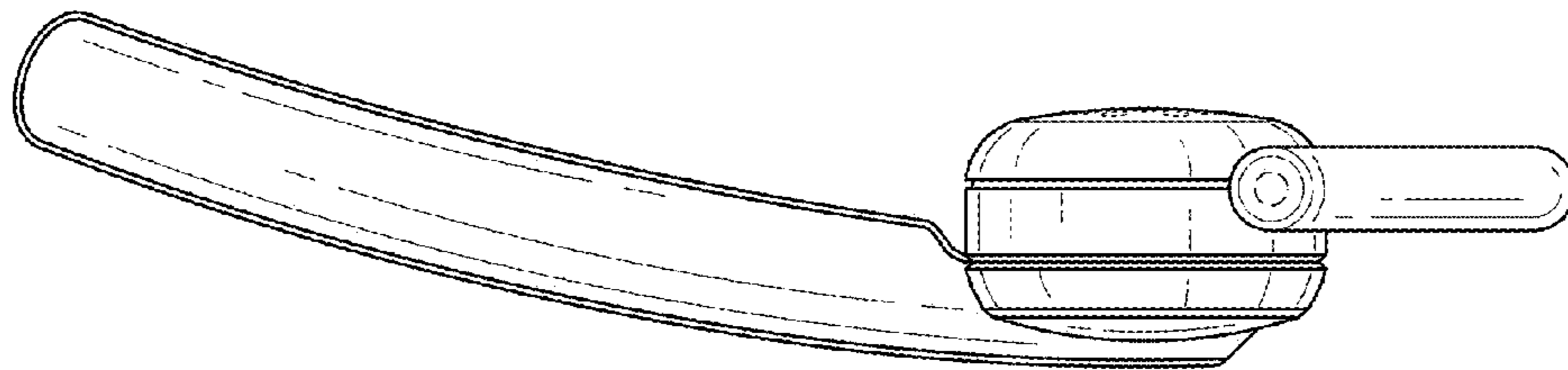


FIG. 8

FIG. 9

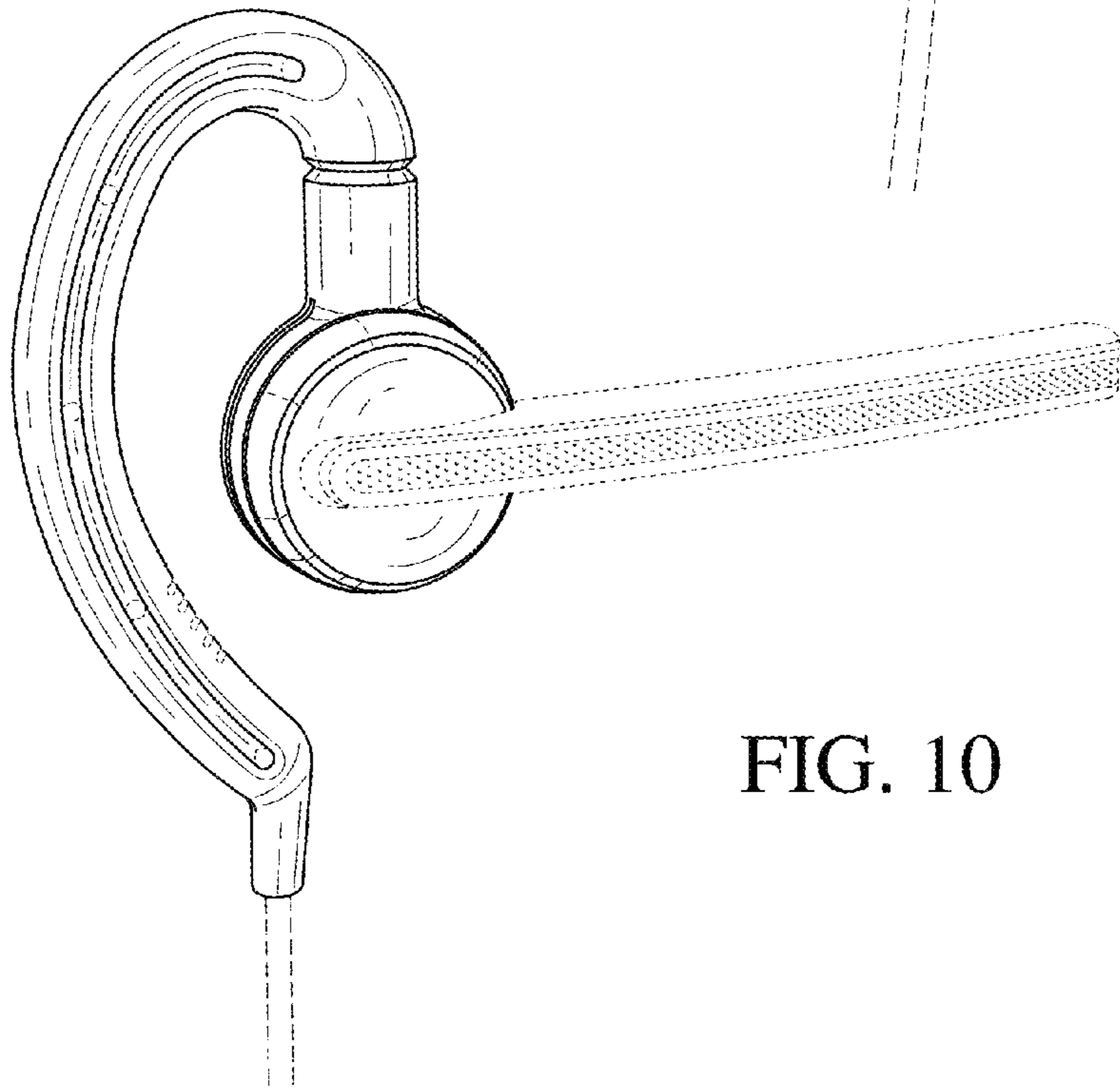
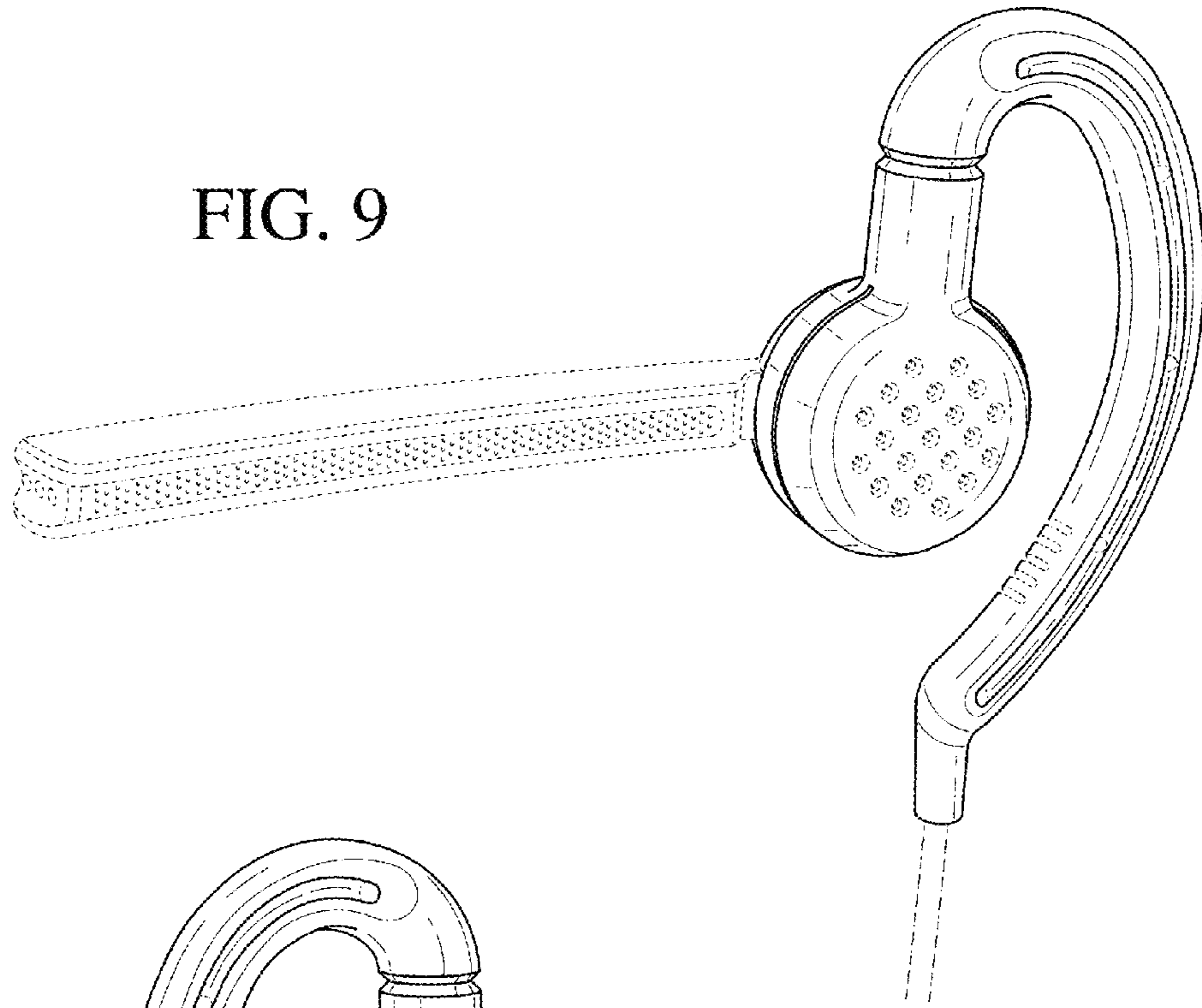


FIG. 10

FIG. 11

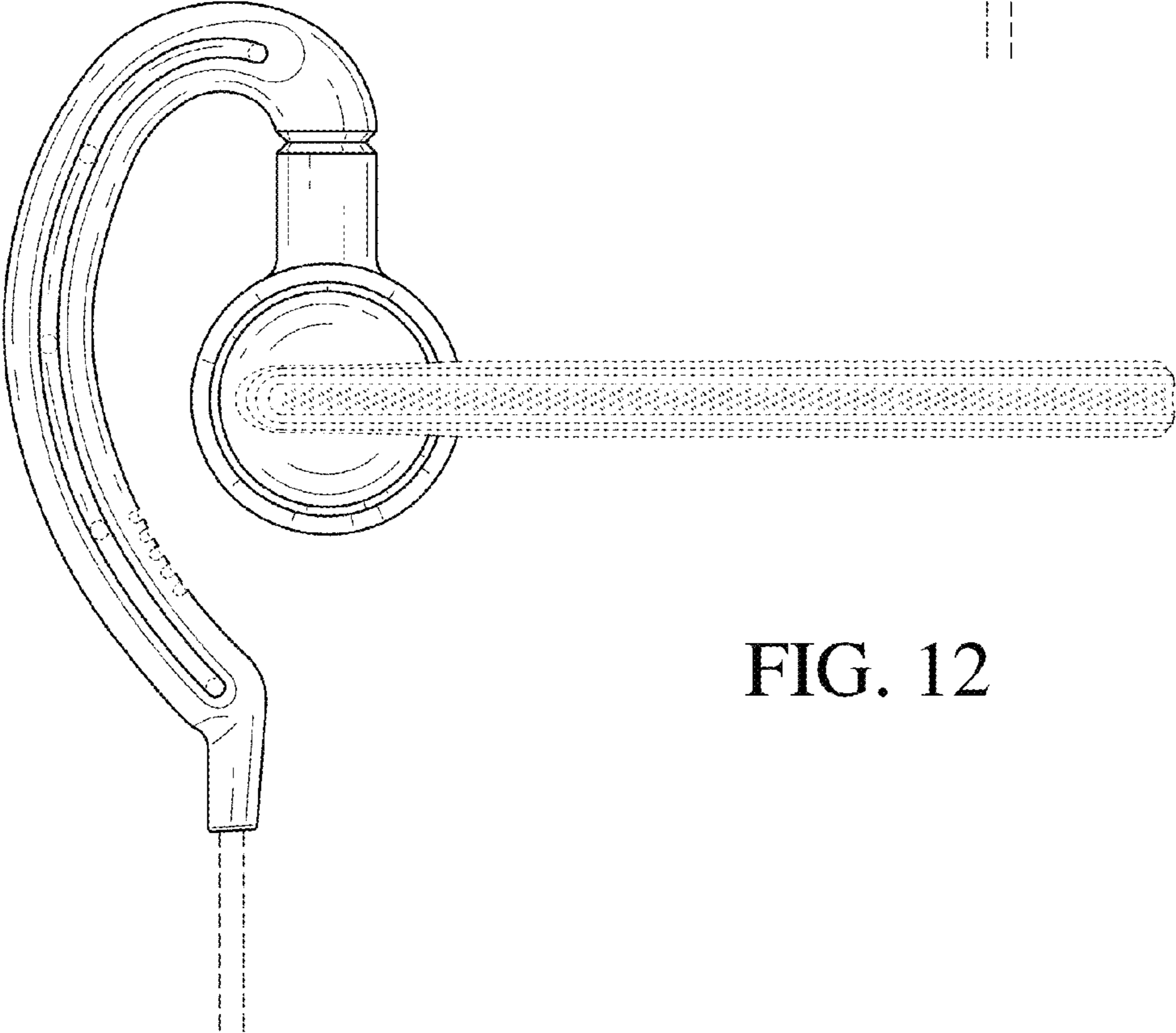


FIG. 12



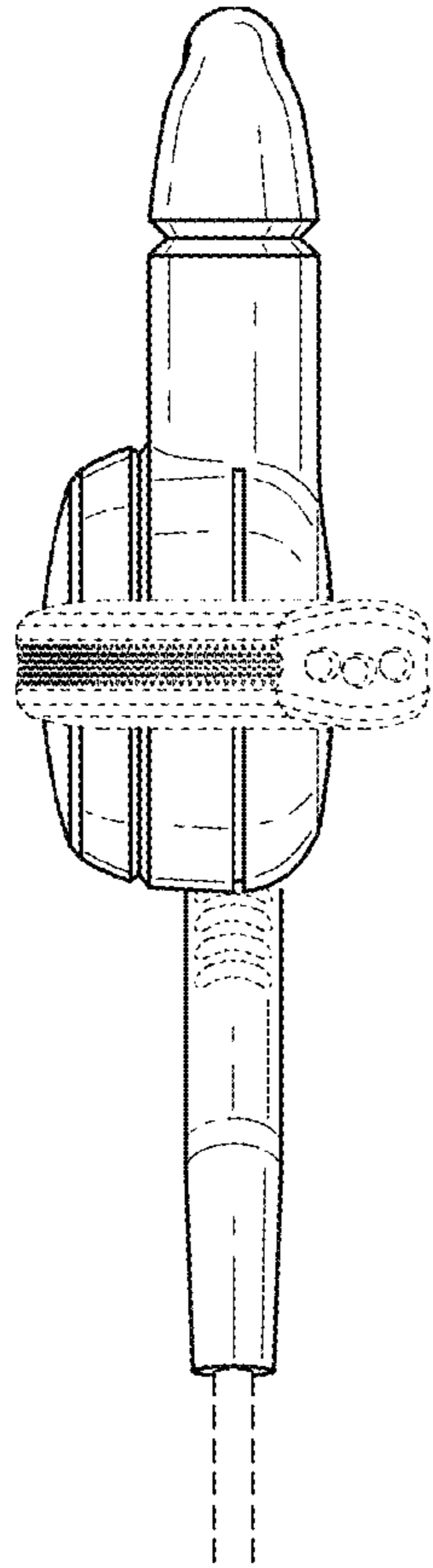


FIG. 13

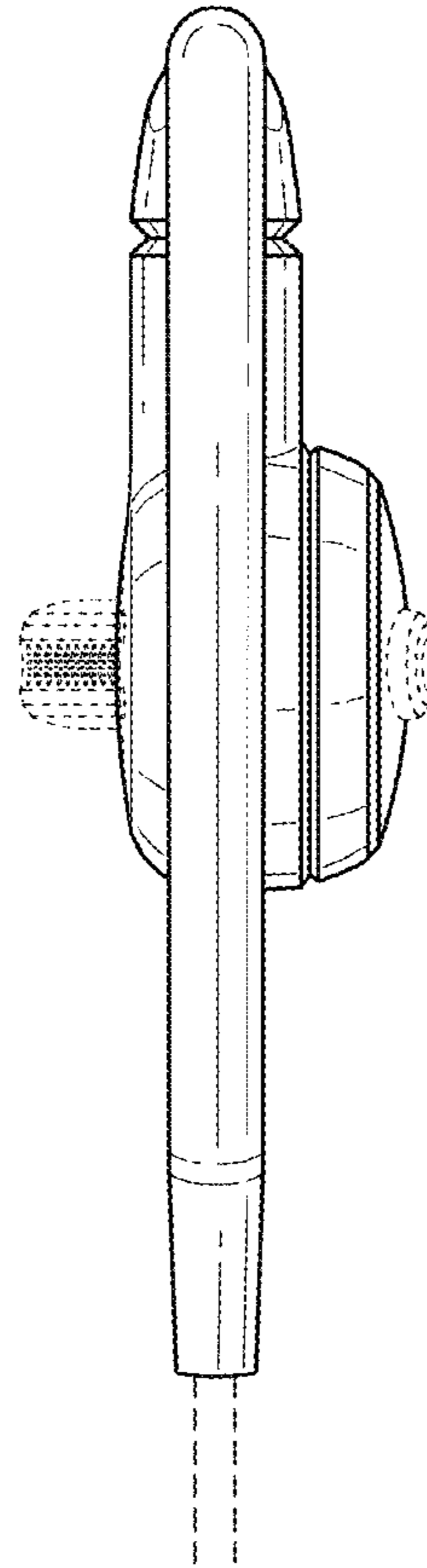


FIG. 14

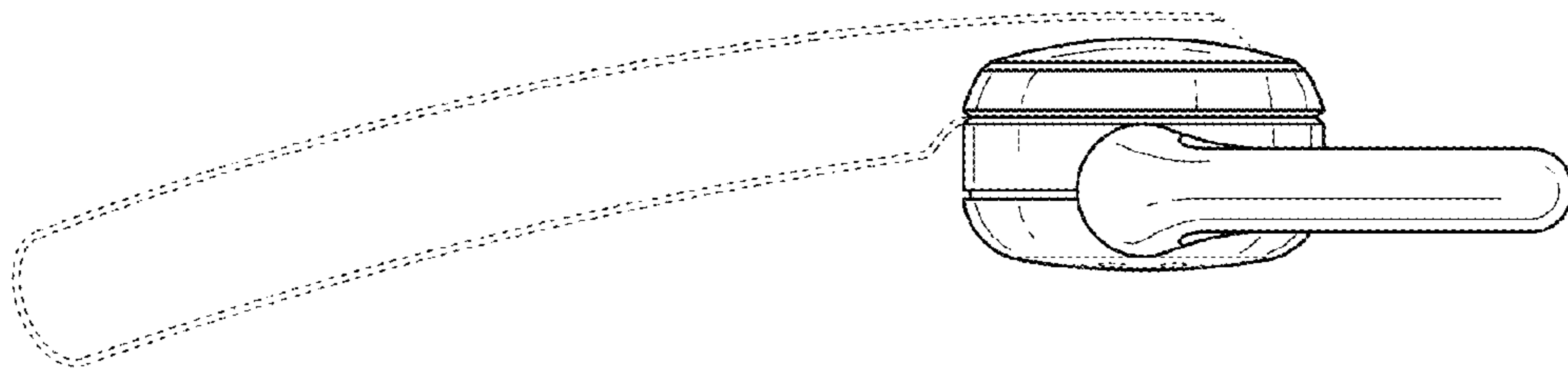


FIG. 15

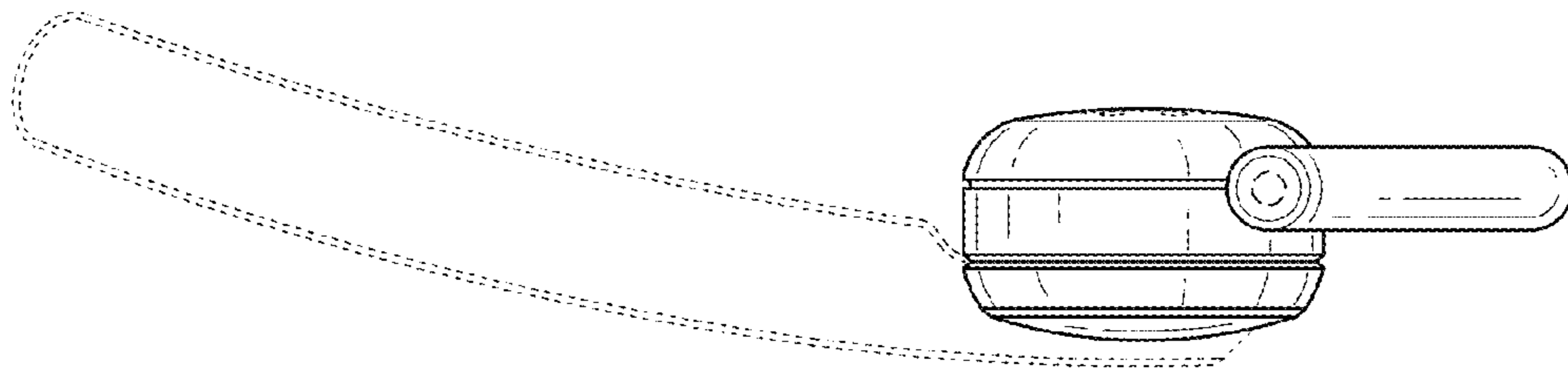


FIG. 16

FIG. 17

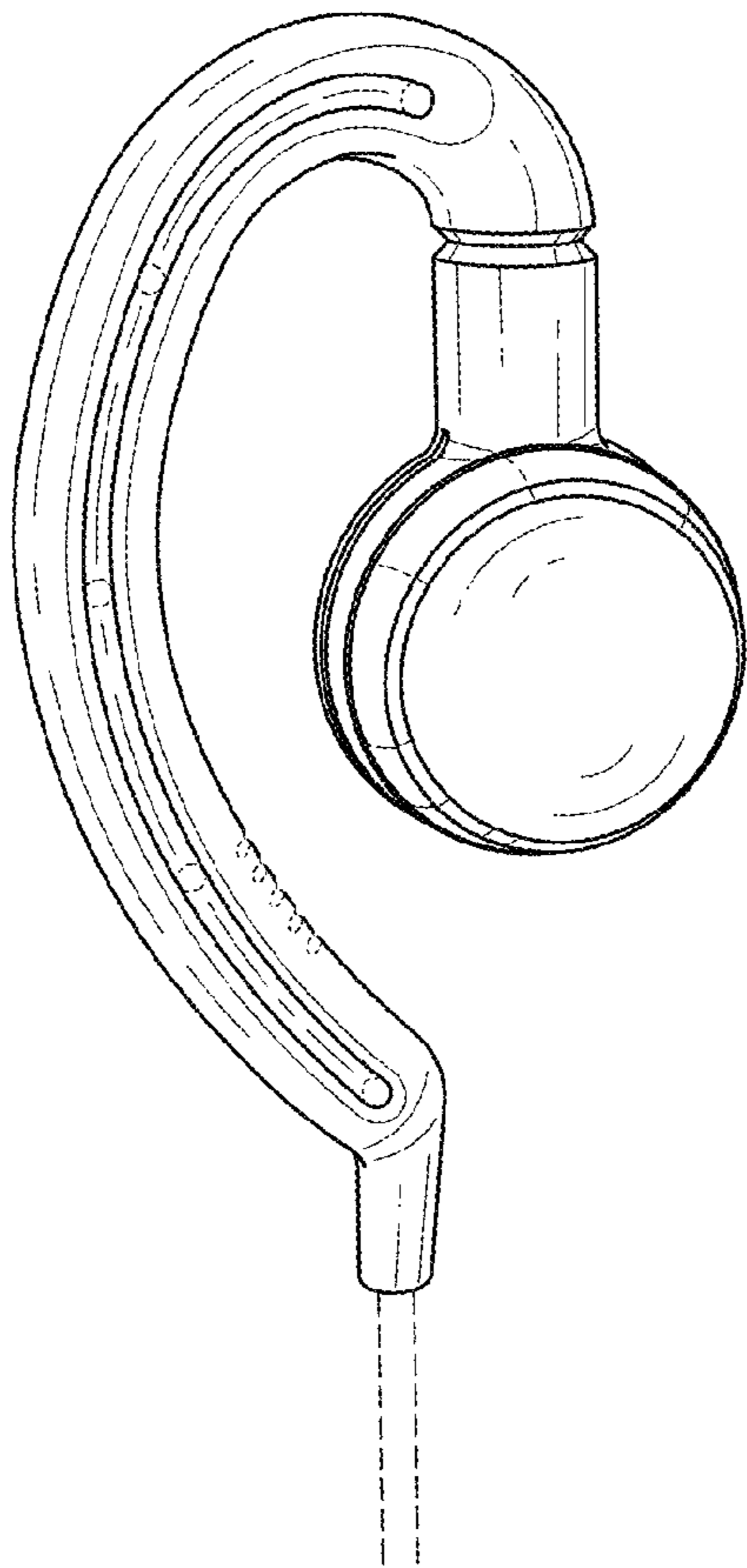
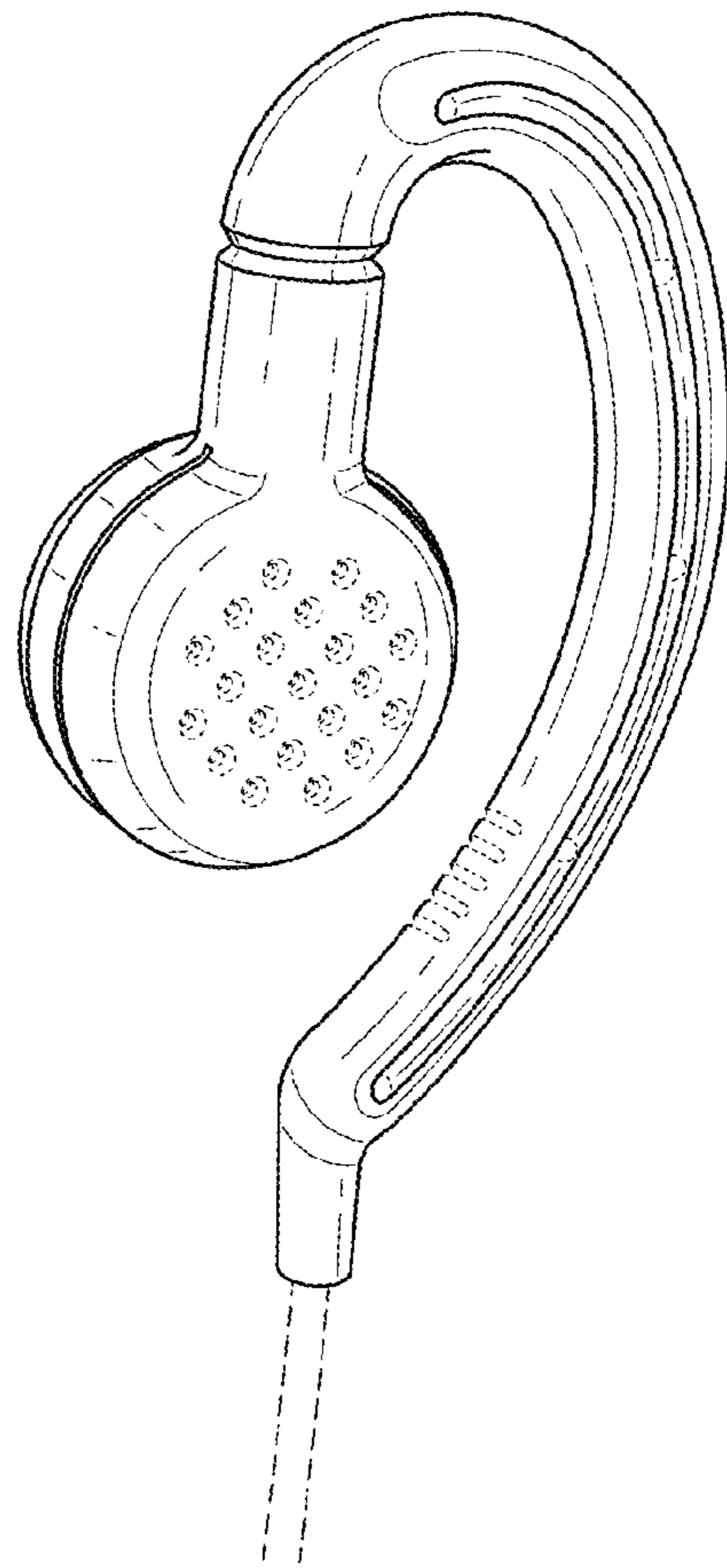


FIG. 18

FIG. 19

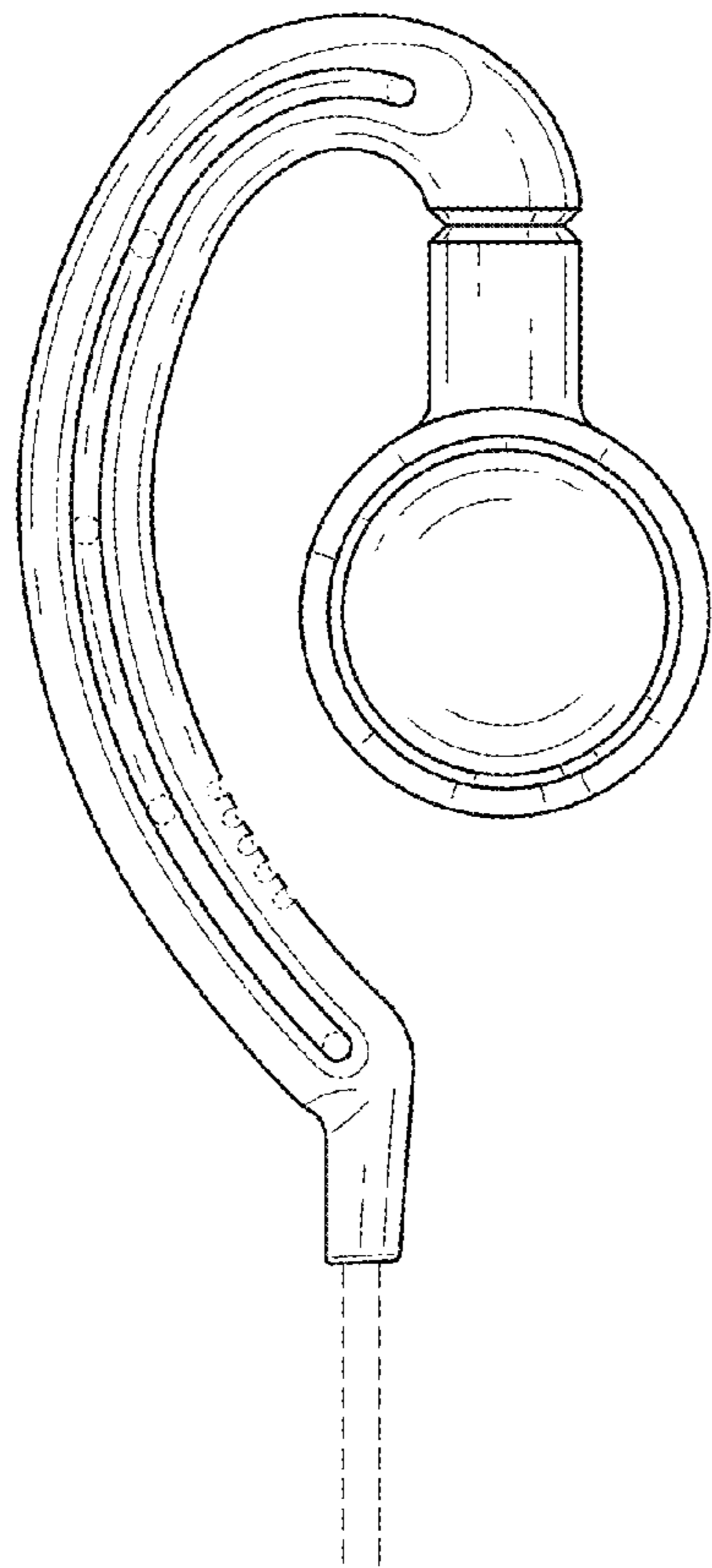
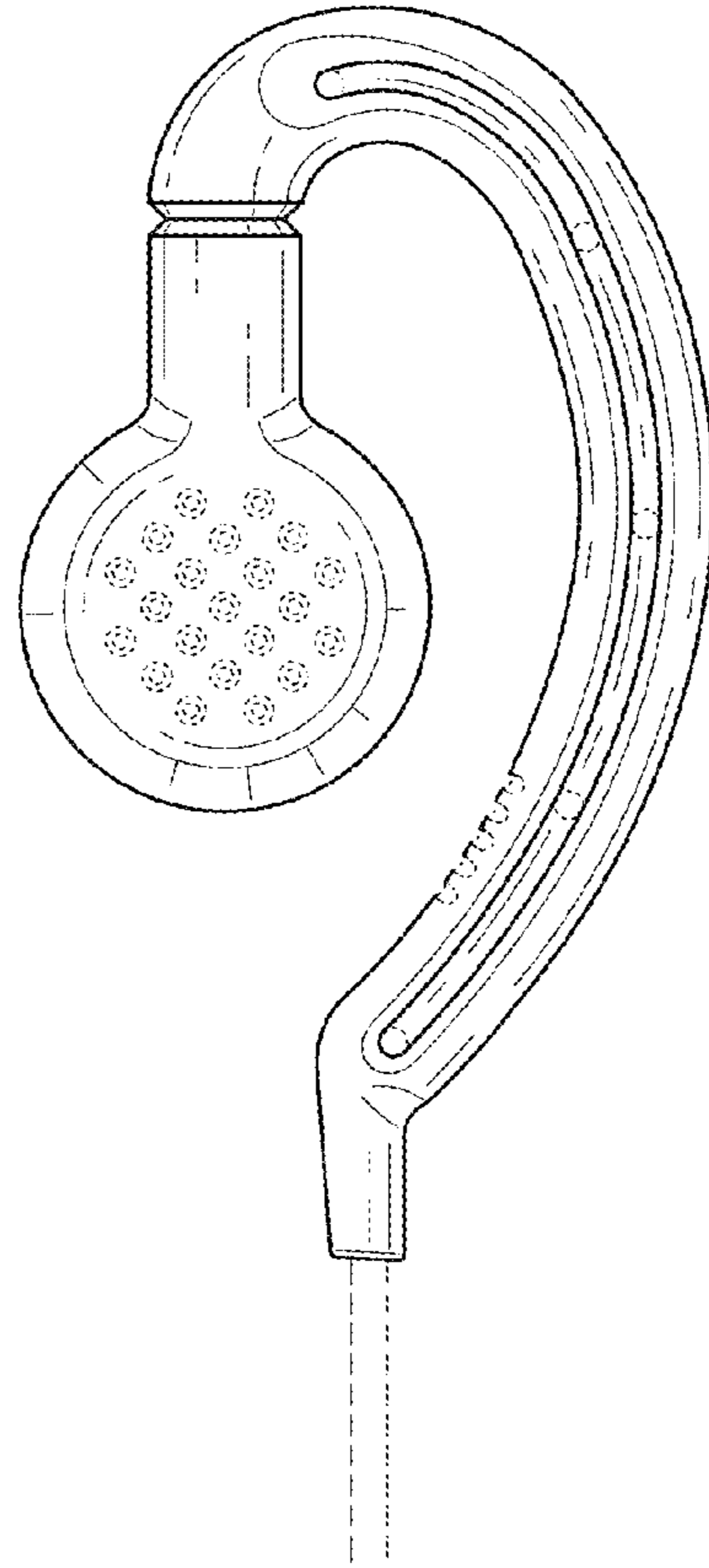


FIG. 20

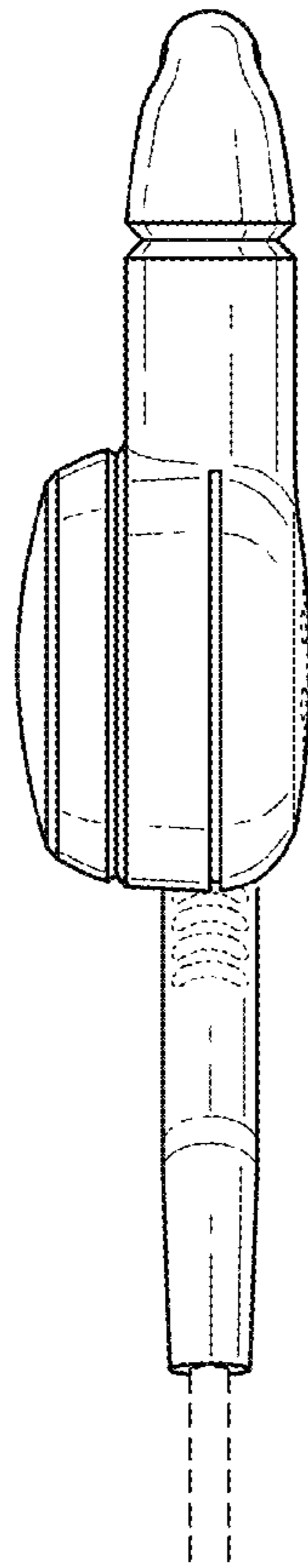


FIG. 21

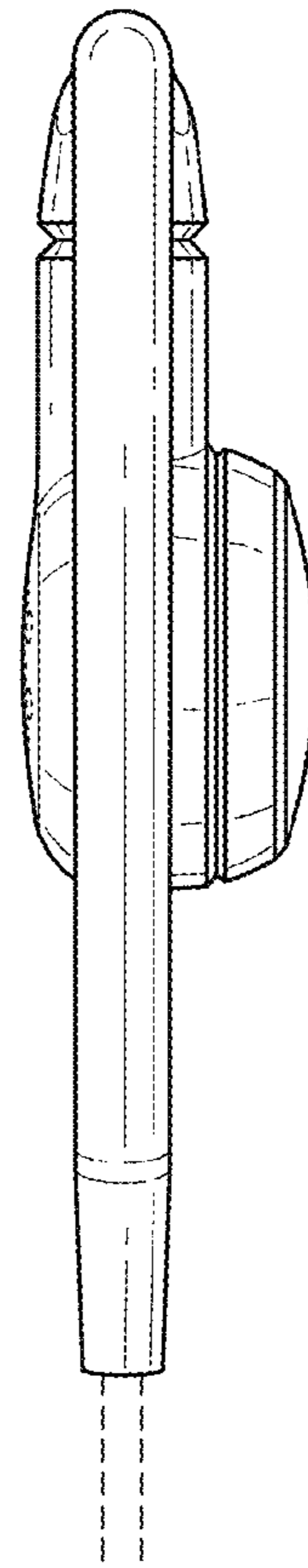


FIG. 22

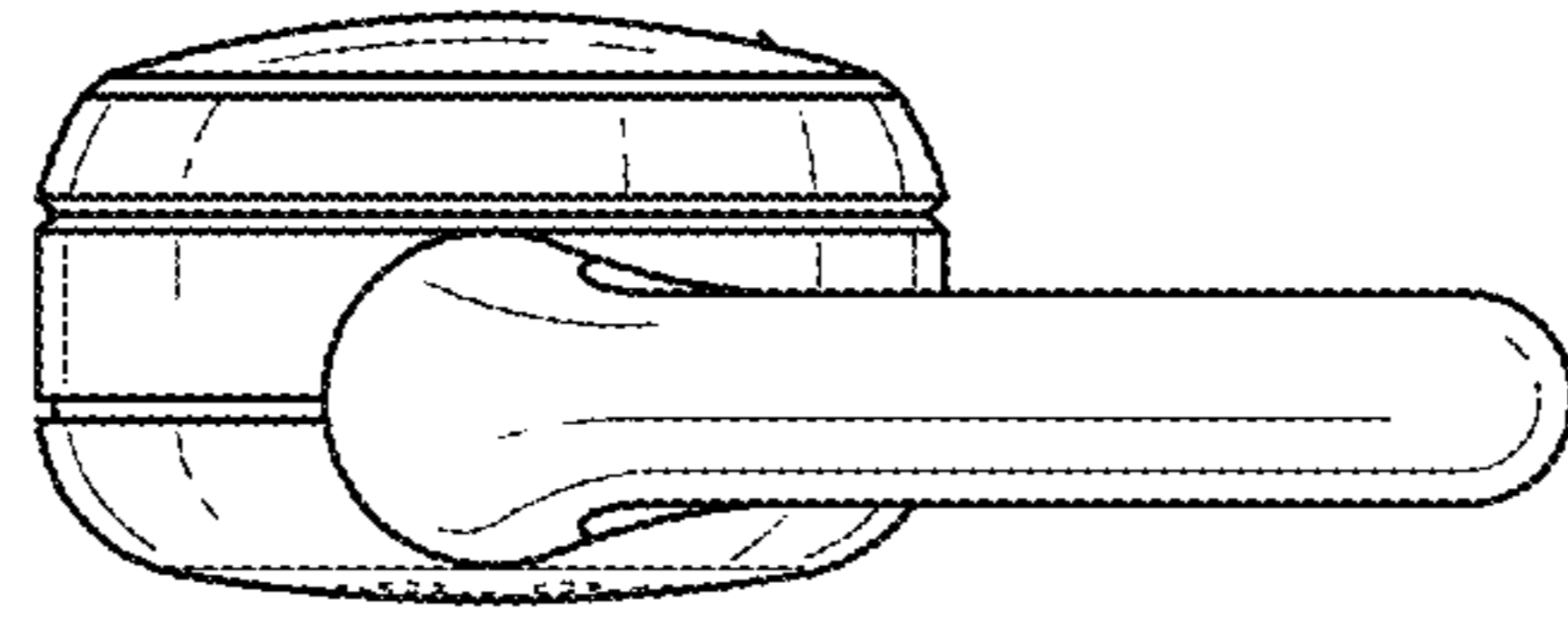


FIG. 23

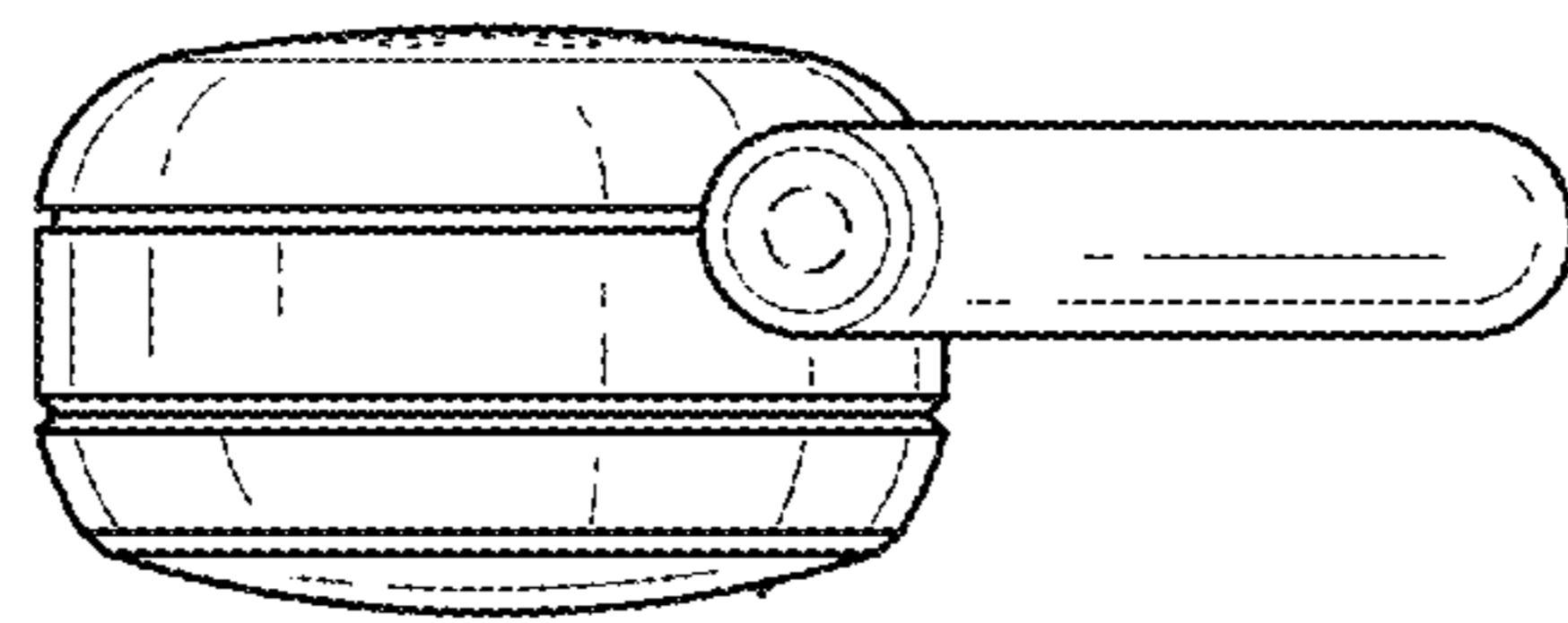


FIG. 24