



US00D726146S

(12) **United States Design Patent**  
**Binder et al.**

(10) **Patent No.:** **US D726,146 S**  
(45) **Date of Patent:** **\*\* Apr. 7, 2015**

(54) **HEADPHONE**

(71) Applicant: **AKG Acoustics GmbH**, Vienna (AT)

(72) Inventors: **Michael Binder**, Weldegg (AT); **Tibor Pataky**, Staatsbürgerschaft (AT)

(73) Assignee: **AKG Acoustics GmbH**, Vienna (AT)

(\*\*) Term: **14 Years**

(21) Appl. No.: **29/478,331**

(22) Filed: **Jan. 3, 2014**

(51) **LOC (10) Cl.** ..... **14-01**

(52) **U.S. Cl.**  
USPC ..... **D14/205**

(58) **Field of Classification Search**  
CPC ..... H04R 1/1066  
USPC ..... D14/205, 223; D29/112; 2/209;  
181/129, 130, 135; 379/430, 431;  
381/380, 381, 374; 455/90.3, 575.1  
See application file for complete search history.

(56) **References Cited**

**U.S. PATENT DOCUMENTS**

3,098,307	A *	7/1963	Caldwell, Jr.	434/185
3,440,663	A *	4/1969	Beguín	2/209
3,661,225	A *	5/1972	Anderson	181/175
D244,300	S *	5/1977	Besasie	D14/205
D313,092	S *	12/1990	Nilsson	D29/112
5,068,923	A *	12/1991	Sjoqvist	2/209
D468,723	S *	1/2003	Pham et al.	D14/205

D476,639	S *	7/2003	Bergeron et al.	D14/205
7,735,154	B2 *	6/2010	Gellis et al.	2/209
D657,345	S *	4/2012	Brunner et al.	D14/205
8,213,667	B2 *	7/2012	Nelson et al.	381/378
D673,520	S *	1/2013	Tan	D14/205
D674,767	S *	1/2013	Brunner et al.	D14/205
D689,463	S *	9/2013	Hardi et al.	D14/205
D696,226	S *	12/2013	Brunner et al.	D14/205
D702,210	S *	4/2014	Birger	D14/205
D704,163	S *	5/2014	Brunner et al.	D14/205
D707,200	S *	6/2014	Yang	D14/205
D713,817	S *	9/2014	Paterson et al.	D14/205
2003/0210801	A1 *	11/2003	Naksen et al.	381/370

\* cited by examiner

*Primary Examiner* — Paula Greene

(74) *Attorney, Agent, or Firm* — Plumsea Law Group, LLC

(57) **CLAIM**

The ornamental design for a headphone, as shown and described.

**DESCRIPTION**

FIG. 1 is a perspective view of a headphone showing the new design;

FIG. 2 is a another perspective view thereof;

FIG. 3 is an front elevational view thereof;

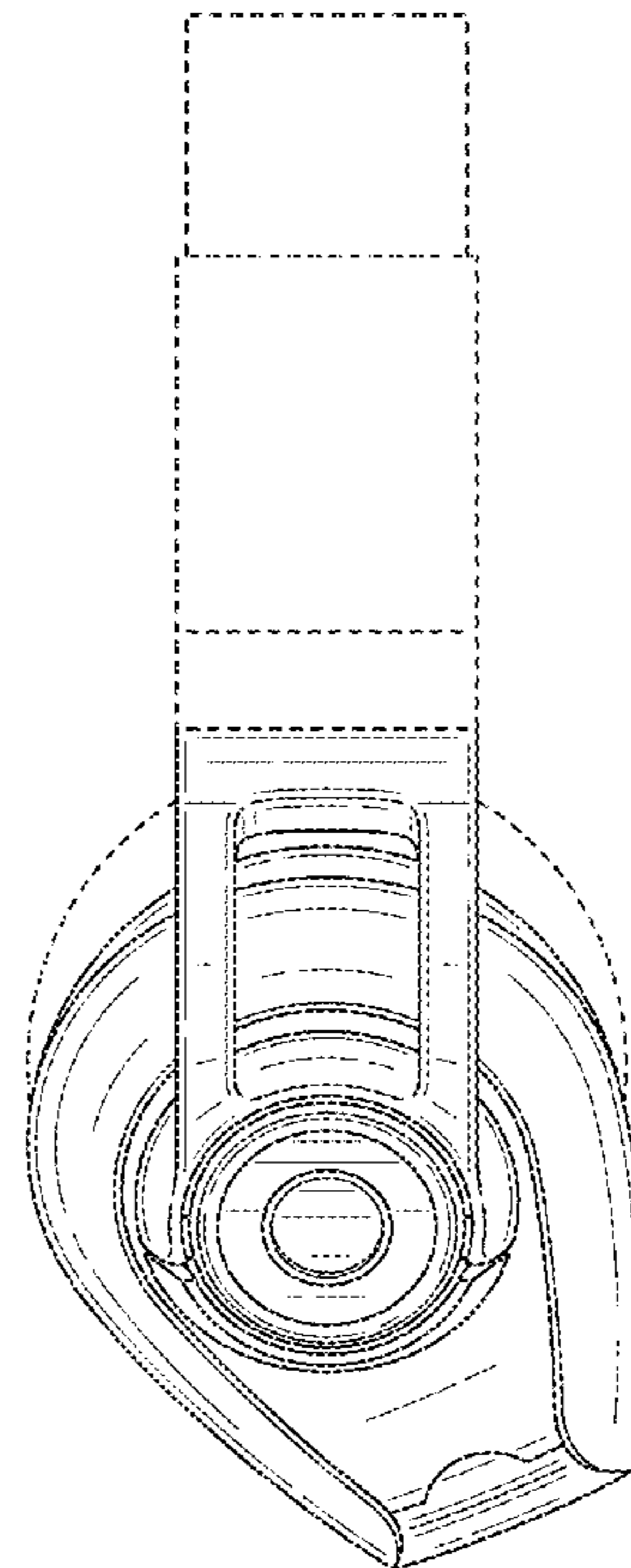
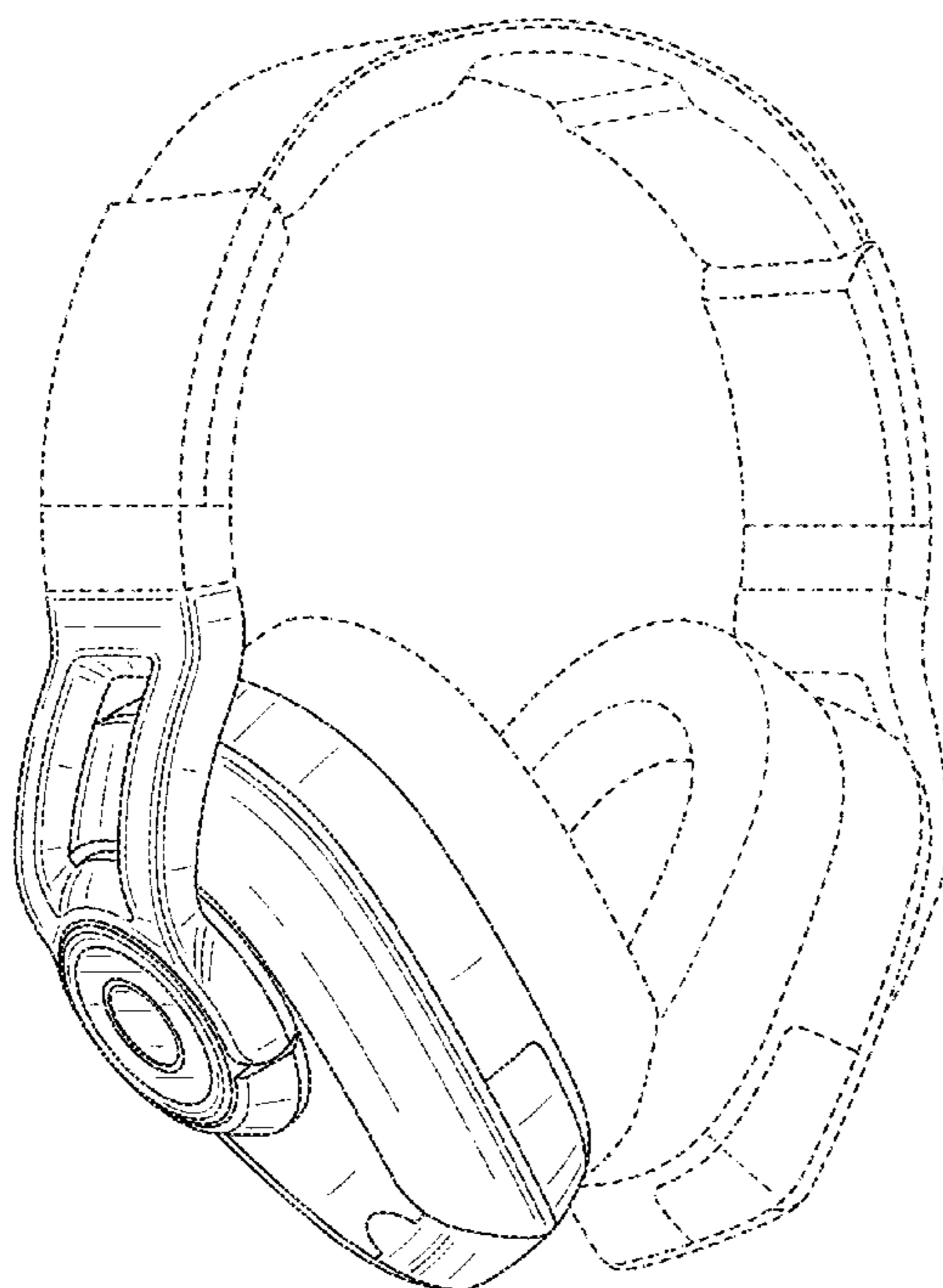
FIG. 4 is a rear elevational view thereof;

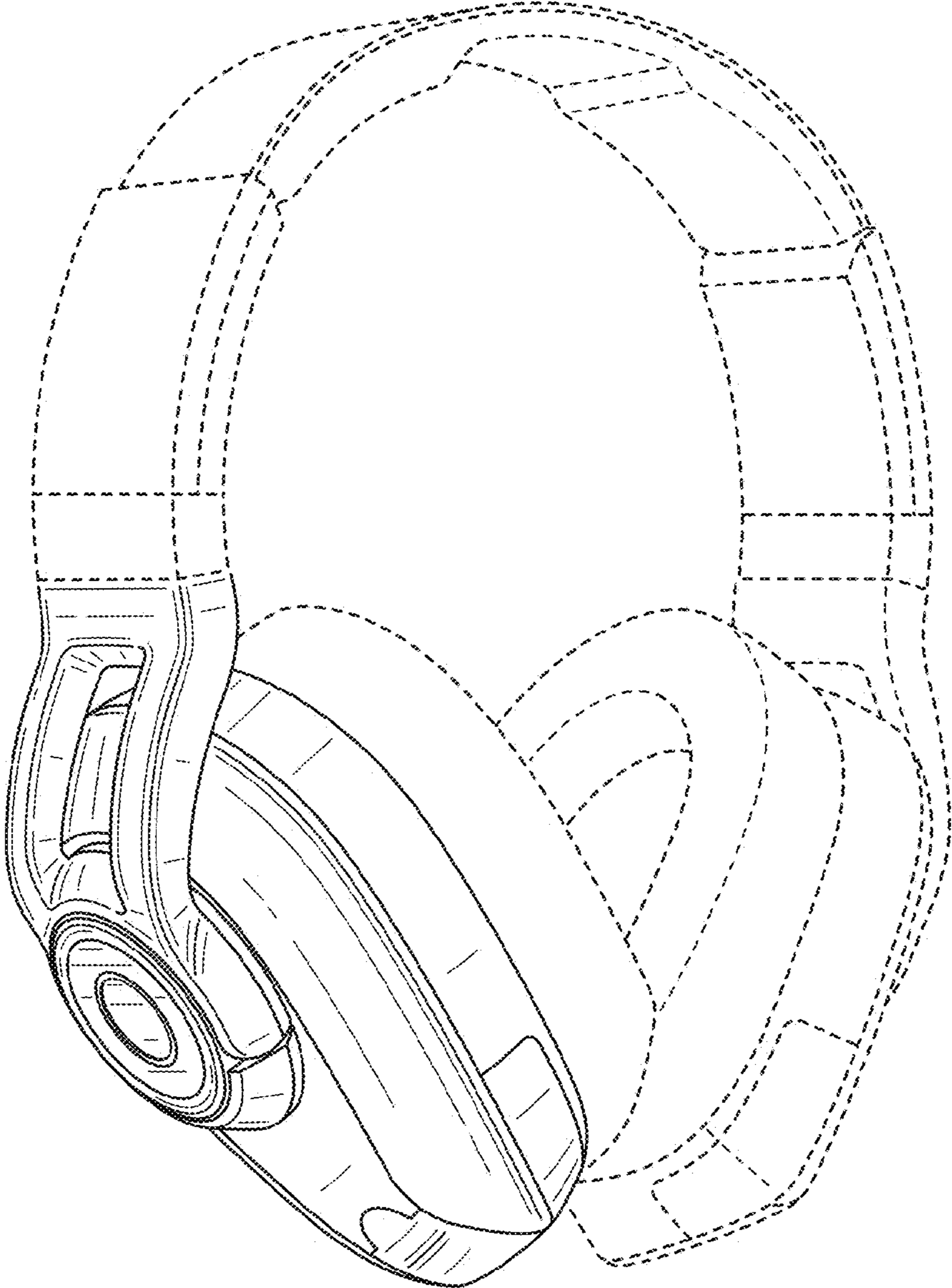
FIG. 5 is a side elevational view thereof; and,

FIG. 6 is an bottom view thereof.

The broken lines form no part of the claimed design.

**1 Claim, 6 Drawing Sheets**





**FIG. 1**

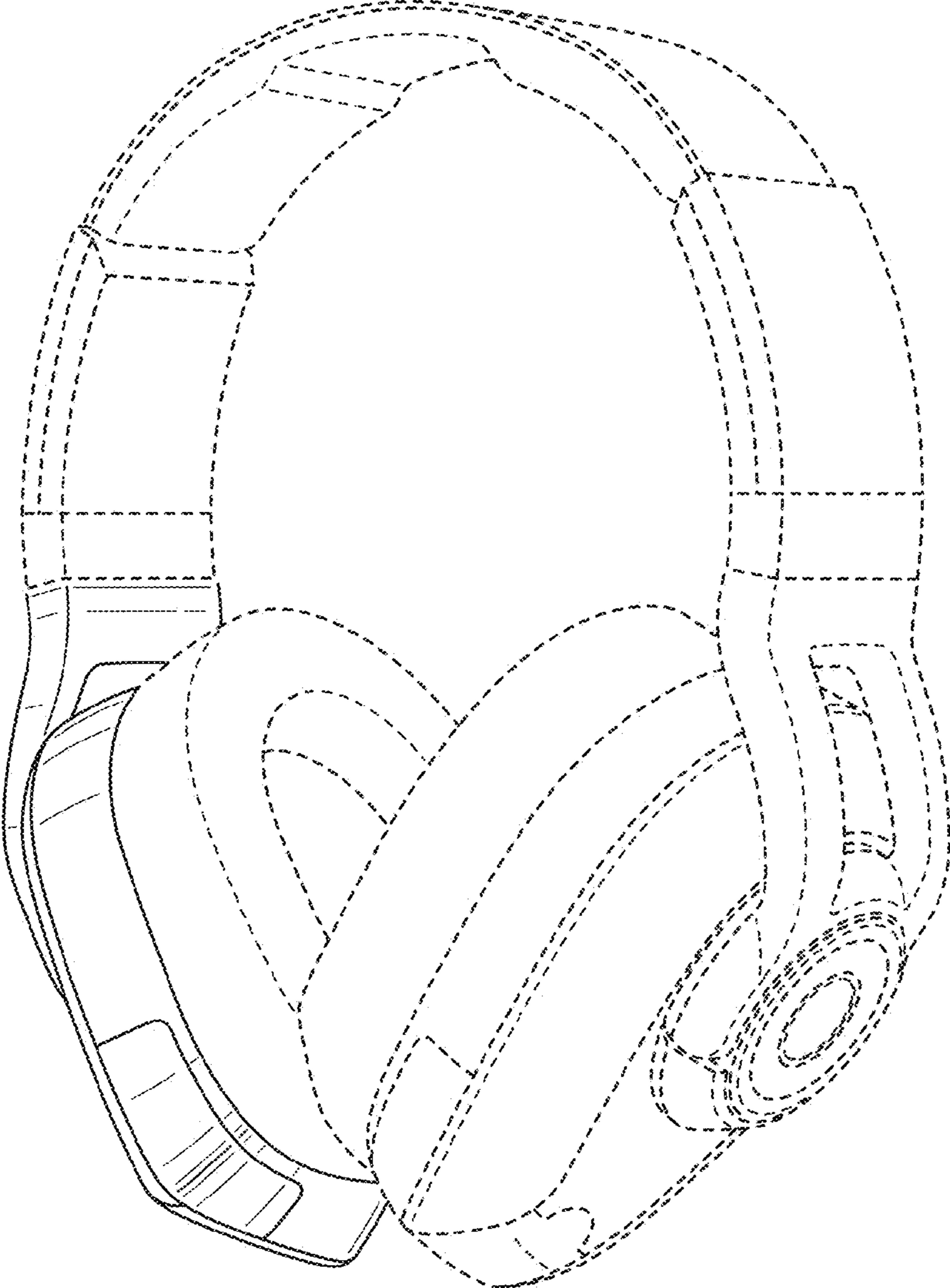


FIG. 2

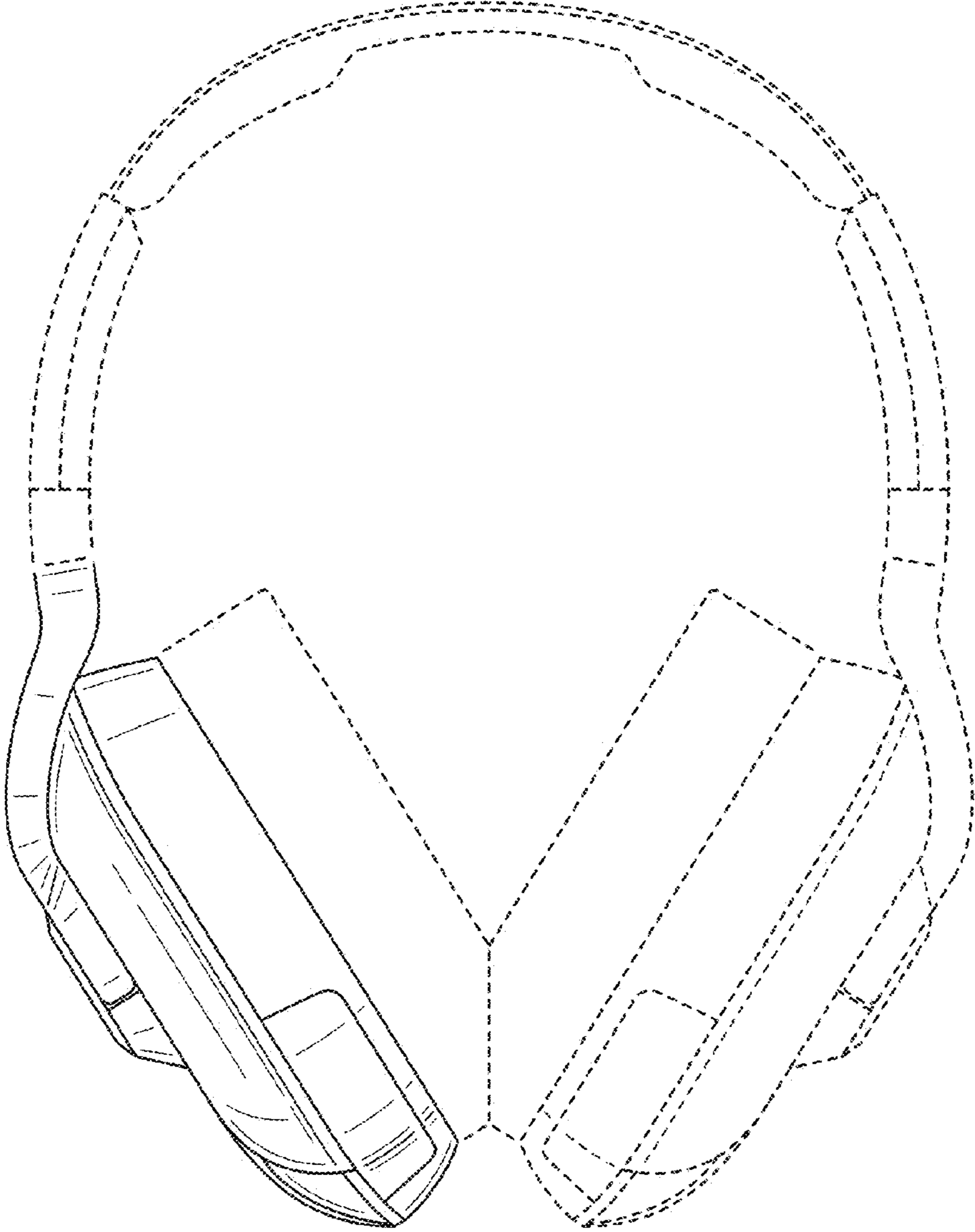
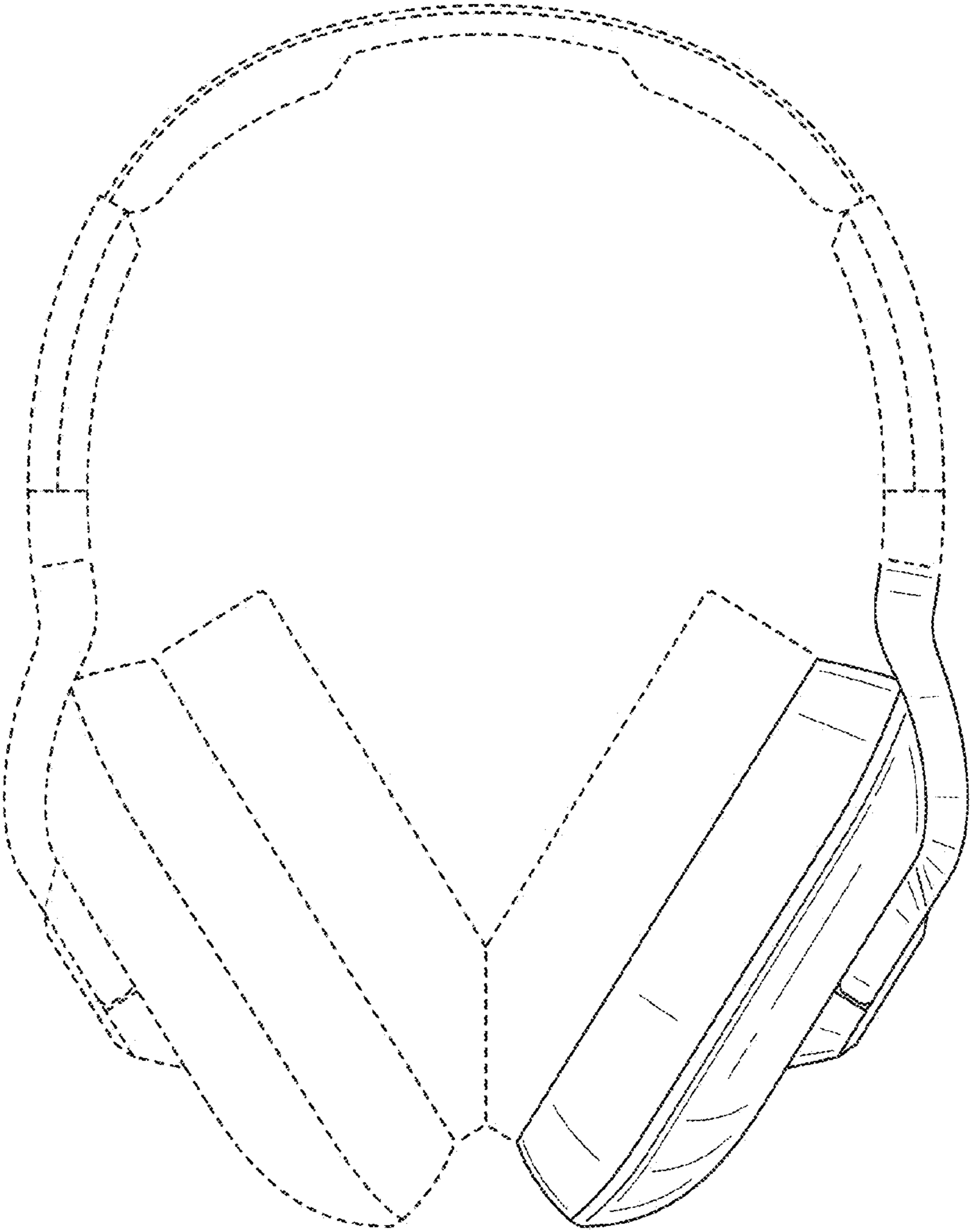


FIG. 3





**FIG. 4**

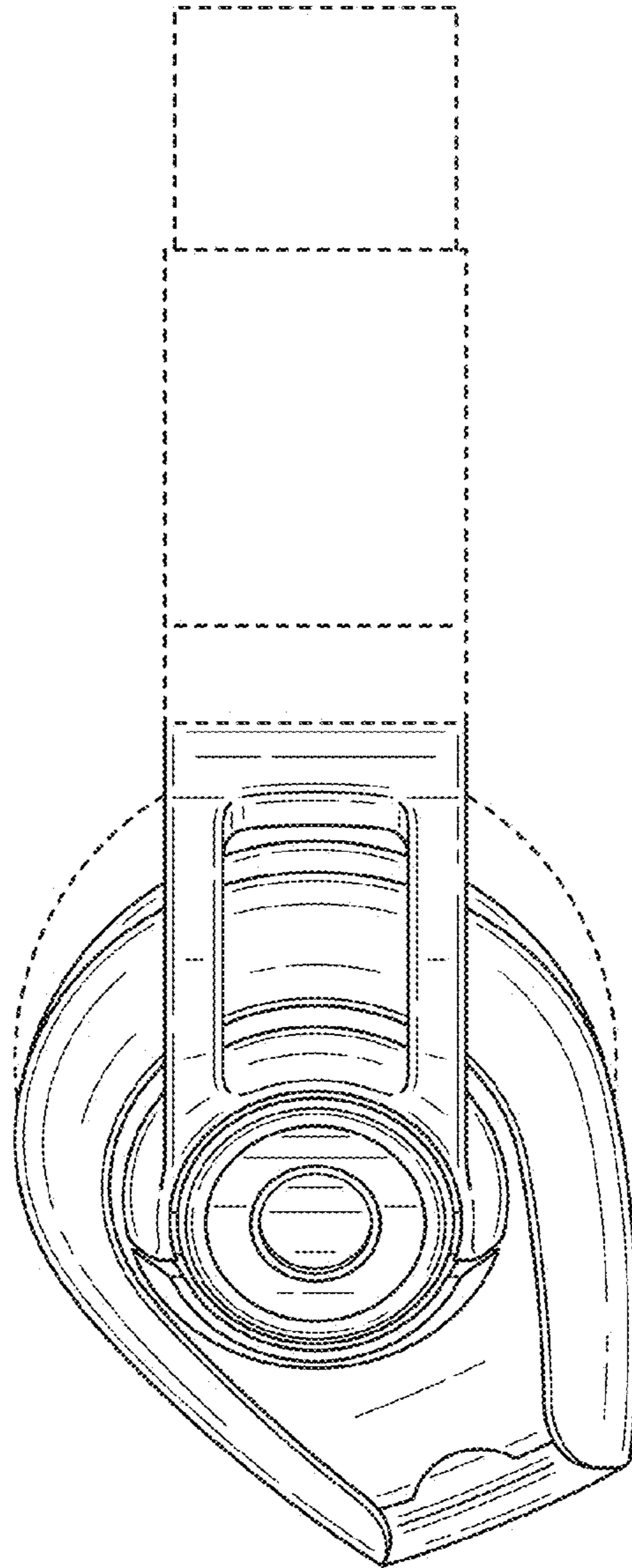


FIG. 5

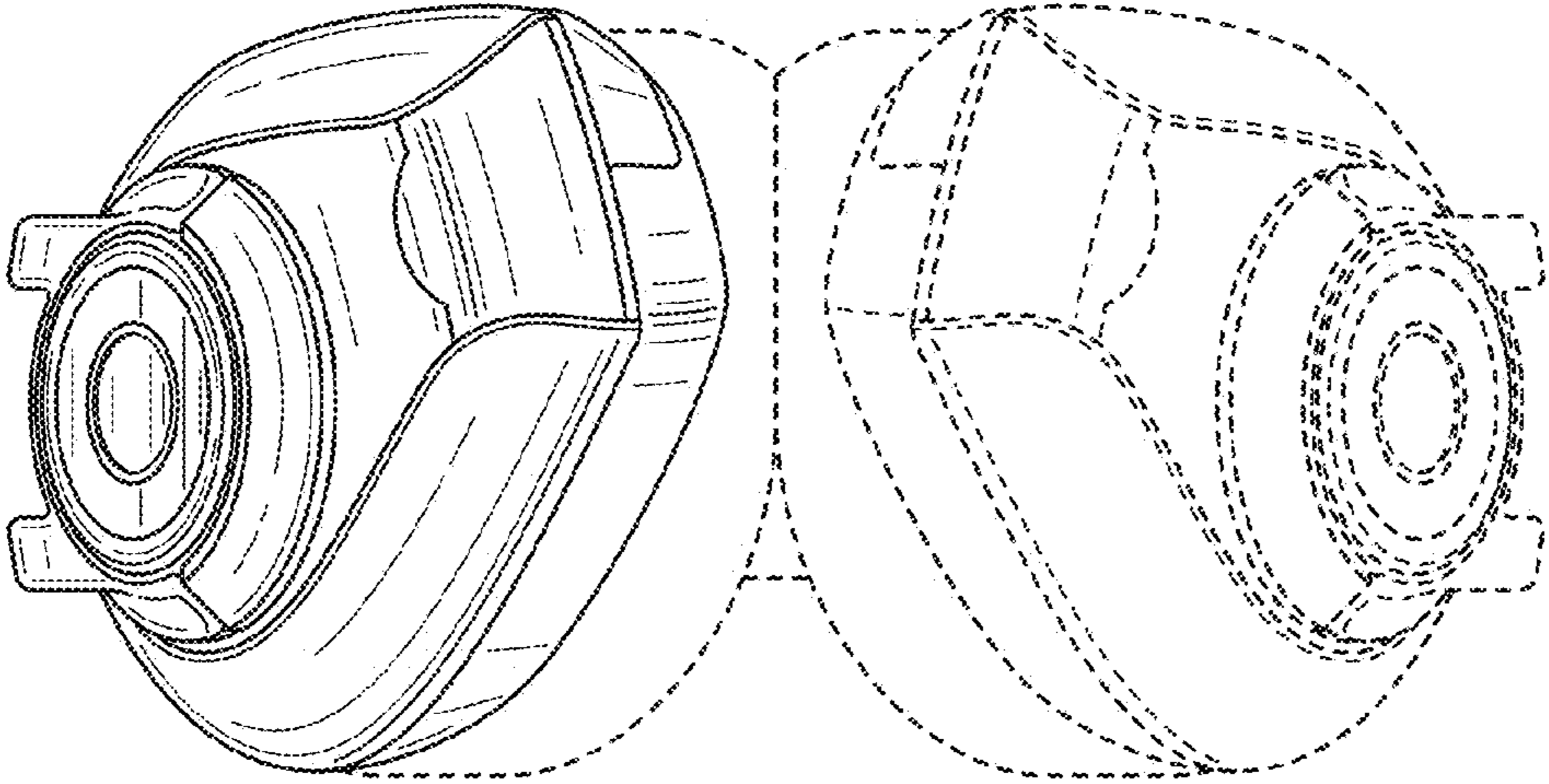


FIG. 6