



US00D726144S

(12) **United States Design Patent**  
**Kang**

(10) **Patent No.:** **US D726,144 S**  
(45) **Date of Patent:** **\*\* Apr. 7, 2015**

- (54) **WIRELESS SPEAKER**
- (71) Applicant: **Panasonic Corporation**, Kadoma-shi, Osaka (JP)
- (72) Inventor: **Hwayoung Kang**, Osaka (JP)
- (73) Assignee: **Panasonic Intellectual Property Management Co., Ltd.**, Osaka (JP)
- (\*\*) Term: **14 Years**
- (21) Appl. No.: **29/465,131**
- (22) Filed: **Aug. 23, 2013**
- (51) **LOC (10) Cl.** ..... **14-01**
- (52) **U.S. Cl.**  
USPC ..... **D14/204**
- (58) **Field of Classification Search**  
USPC ..... D14/168, 172, 188, 189, 192, 204, D14/207–216, 220–222, 224, 314, 365; 181/143, 144, 148, 150–153, 157, 159, 181/198, 199; 381/300–302, 332, 333, 336, 381/345, 361, 365, 386, 388  
See application file for complete search history.

- D558,185 S \* 12/2007 Schul et al. .... D14/214
- D571,355 S \* 6/2008 Koizumi ..... D14/214
- D593,066 S \* 5/2009 Sheba et al. .... D14/203.1
- D641,753 S \* 7/2011 Obata ..... D14/356

**OTHER PUBLICATIONS**

Sony Corporation, Sony Marketing (Japan) Inc., "SRS-BTX500" obtained from the internet address <<http://www.sony.jp/active-speaker/products/SRS-BTX500/>>, on Aug. 23, 2013, 2 pages.

\* cited by examiner

*Primary Examiner* — Derrick Holland  
*Assistant Examiner* — Janice Lim

(74) *Attorney, Agent, or Firm* — Brinks Gilson & Lione

(57) **CLAIM**

I claim the ornamental design for a wireless speaker, as shown and described.

**DESCRIPTION**

FIG. 1 is a front perspective view of a wireless speaker, showing my new design;  
FIG. 2 is a rear perspective view thereof;  
FIG. 3 is a front view thereof;  
FIG. 4 is a rear view thereof;  
FIG. 5 is a top view thereof;  
FIG. 6 is a bottom view thereof;  
FIG. 7 is a left side view thereof; and,  
FIG. 8 is a right side view thereof.  
The broken lines shown represent unclaimed subject matter and form no part of the claimed design.

**1 Claim, 8 Drawing Sheets**

(56) **References Cited**

**U.S. PATENT DOCUMENTS**

- D440,219 S \* 4/2001 Dysart ..... D14/188
- D538,783 S \* 3/2007 Lee ..... D14/188
- D547,329 S \* 7/2007 Aoki ..... D14/496
- D554,604 S \* 11/2007 Sogabe ..... D14/505

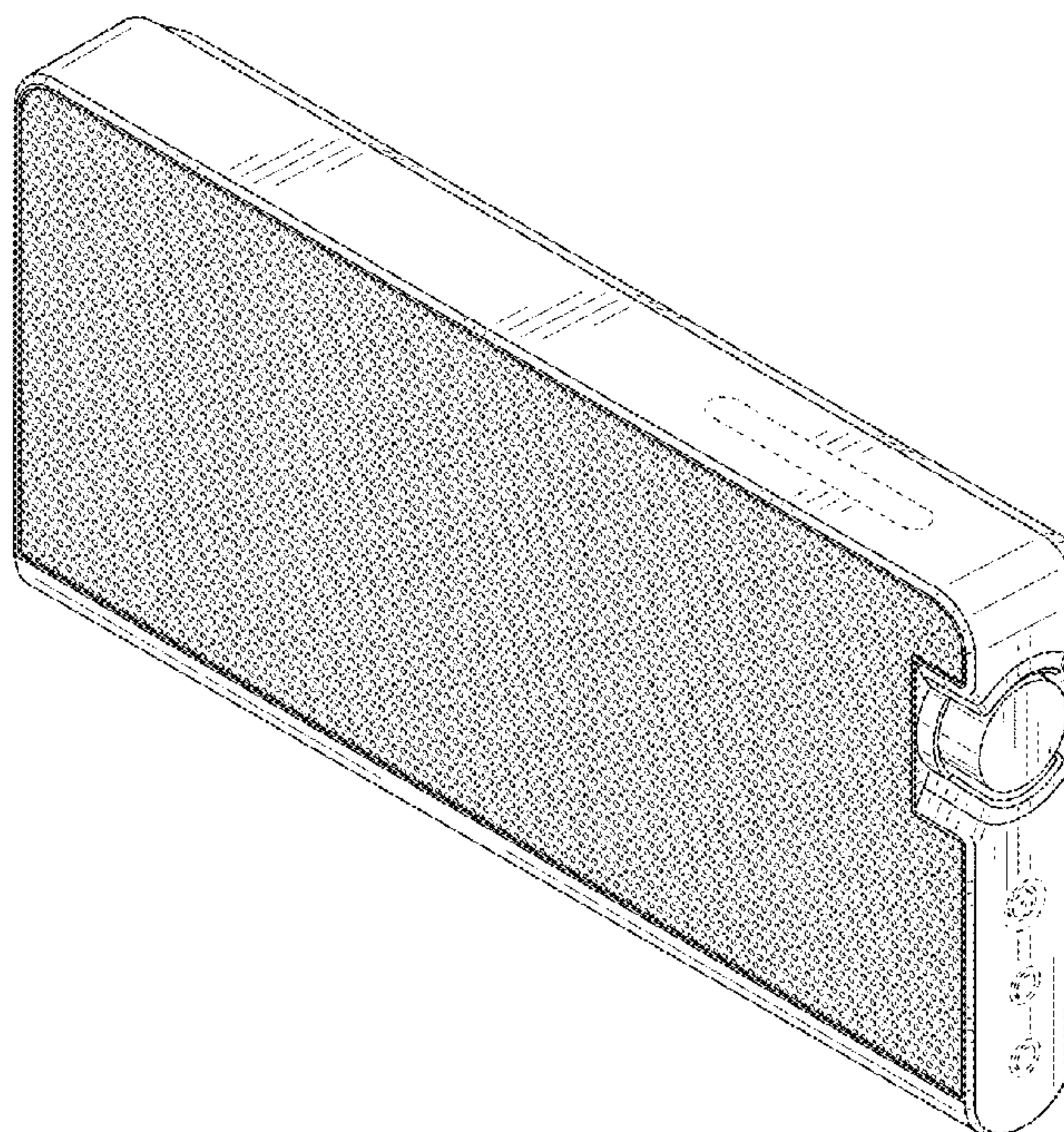




FIG. 1

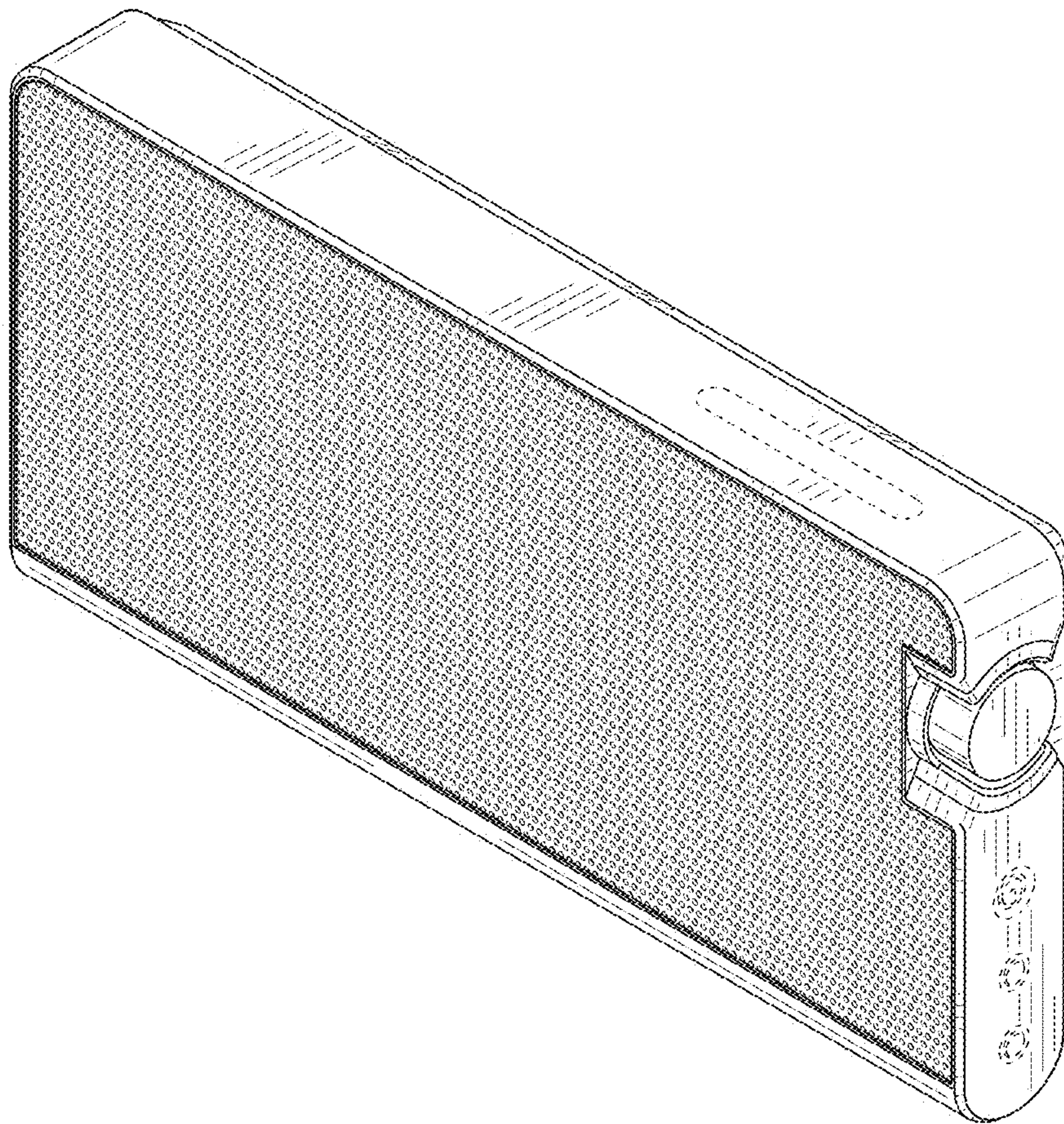


FIG.2

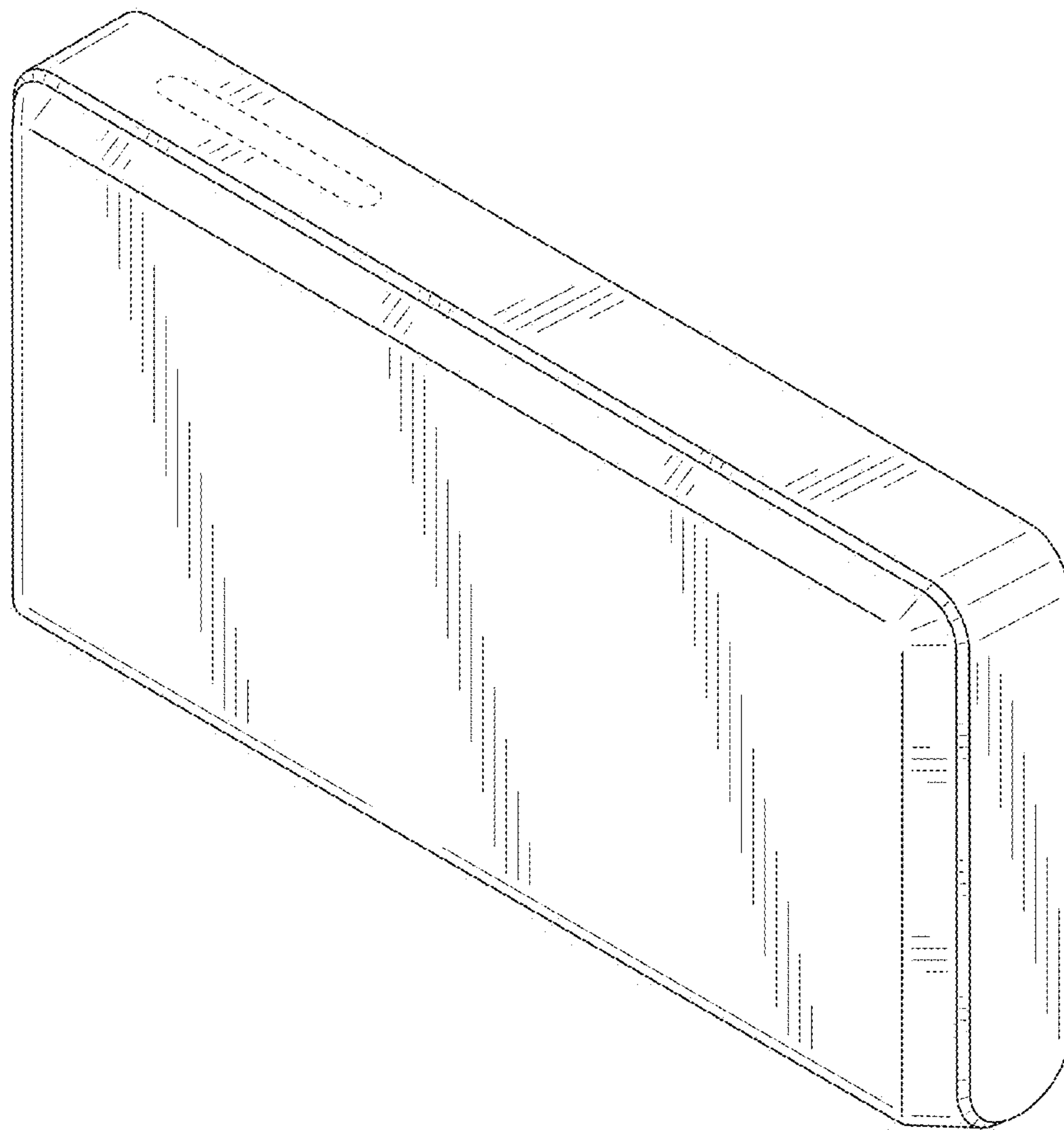




FIG.3

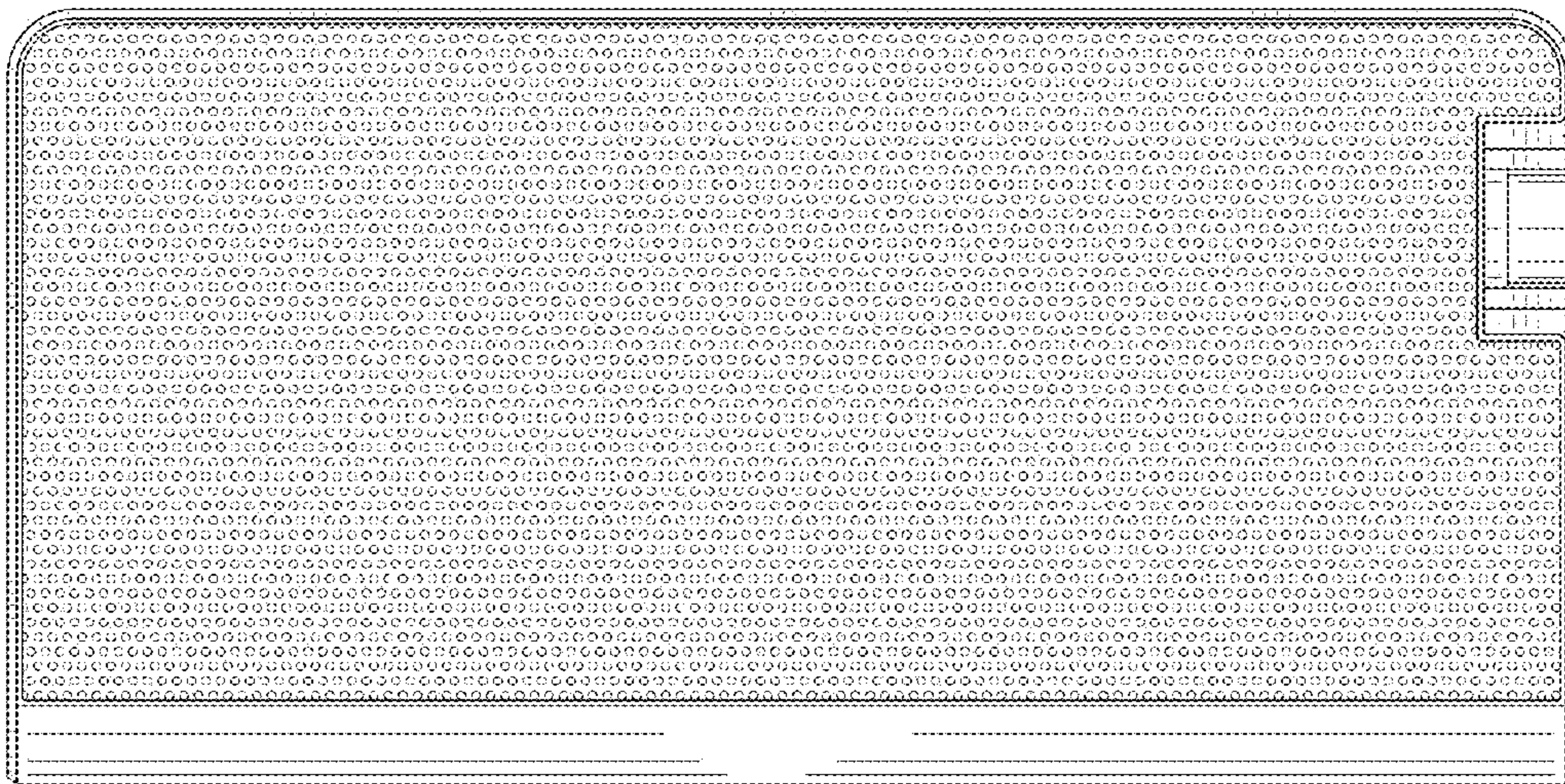


FIG.4

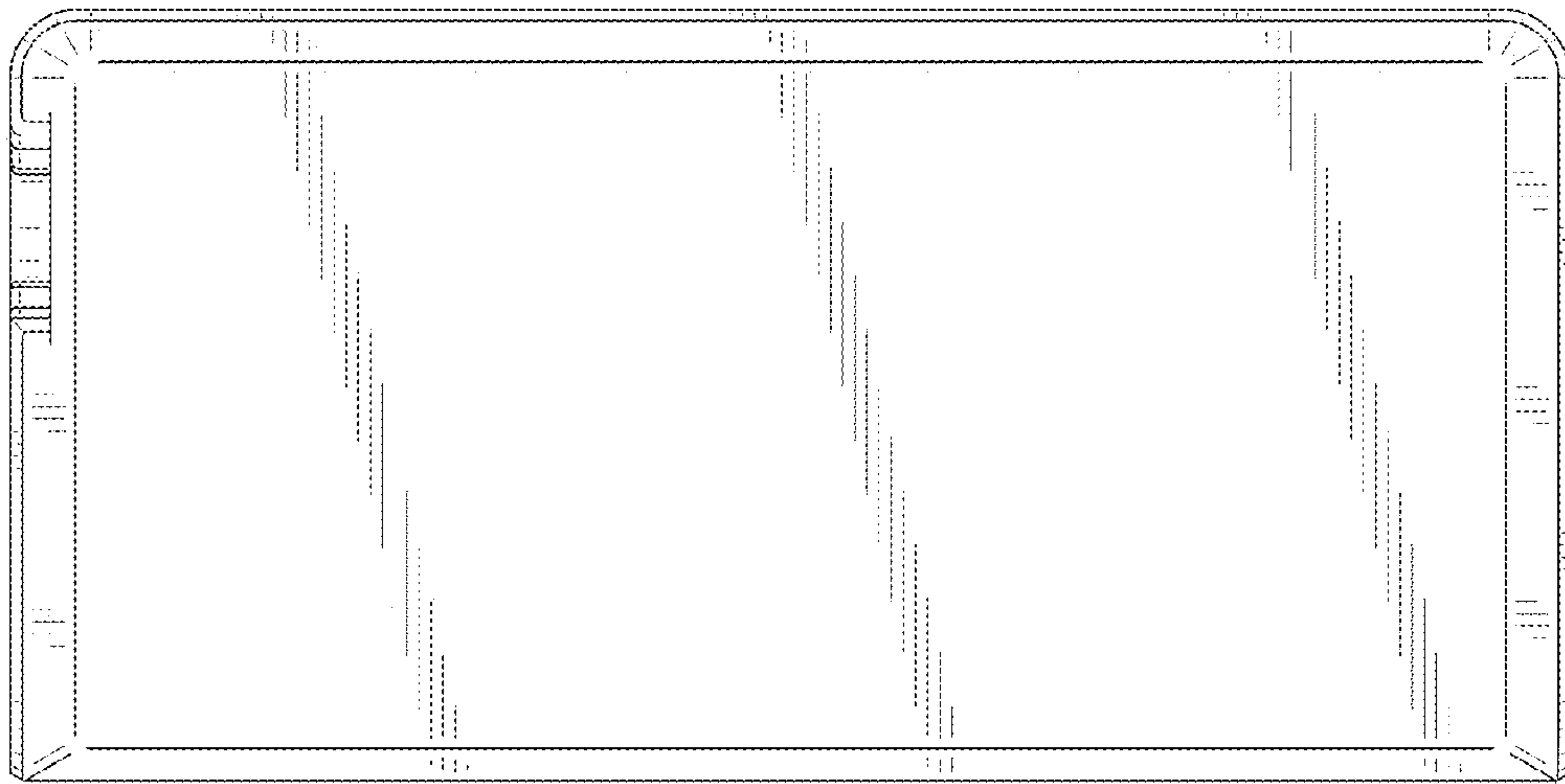


FIG.5

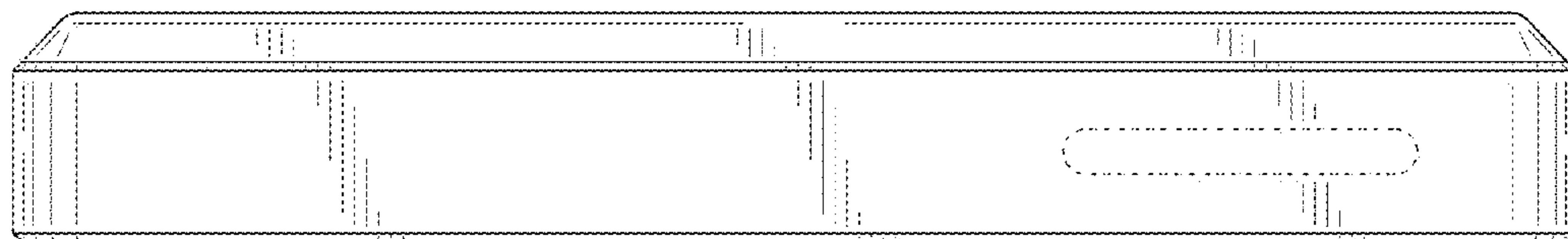


FIG.6

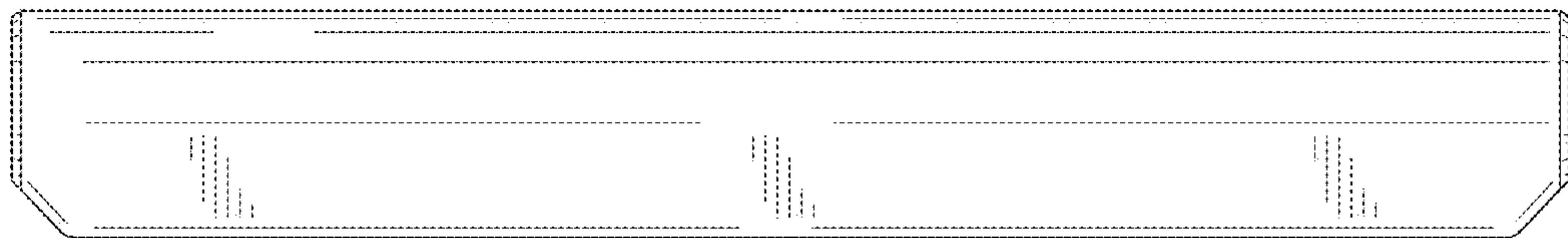


FIG. 7

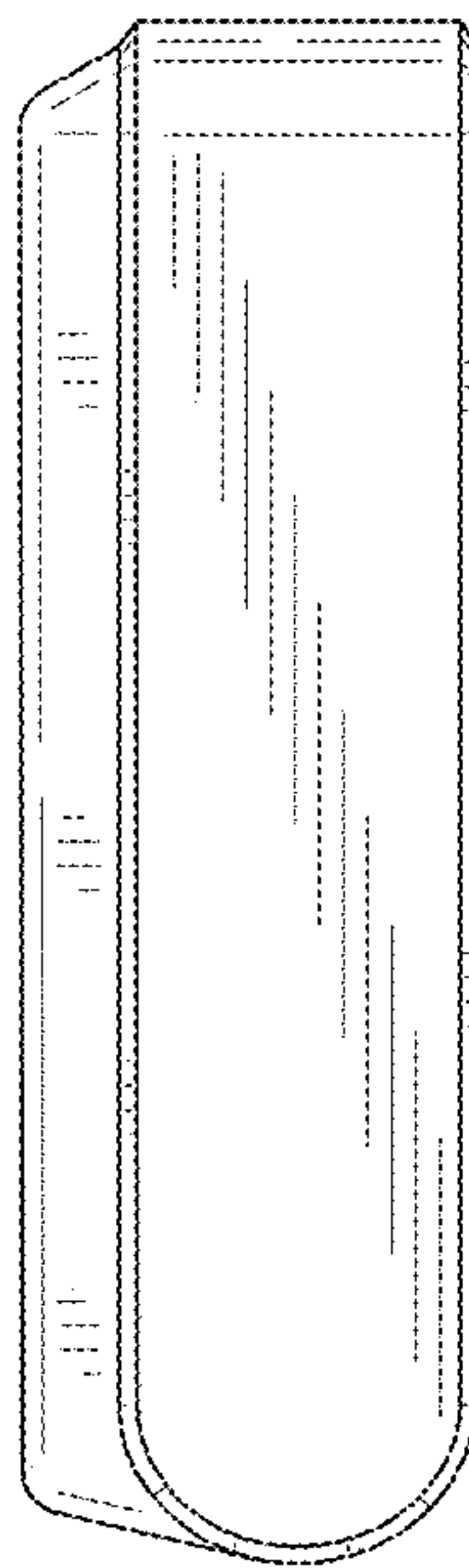




FIG. 8

