



US00D726141S

(12) **United States Design Patent**
Wilson

(10) **Patent No.:** **US D726,141 S**
(45) **Date of Patent:** **** Apr. 7, 2015**

- (54) **MULTI-FIN AMPLIFIER CASE**
- (71) Applicant: **James W. Wilson**, Saint George, UT
(US)
- (72) Inventor: **James W. Wilson**, Saint George, UT
(US)
- (**) Term: **14 Years**
- (21) Appl. No.: **29/457,753**
- (22) Filed: **Jun. 12, 2013**
- (51) **LOC (10) Cl.** **14-03**
- (52) **U.S. Cl.**
USPC **D14/188**
- (58) **Field of Classification Search**
USPC D14/162, 167–169, 175, 179, 188,
D14/194–198, 217, 257, 265, 299, 496;
330/1 R, 3, 4, 250; 381/86, 120;
455/344–351
See application file for complete search history.

D464,327 S *	10/2002	Frank, Jr.	D13/162
D520,985 S *	5/2006	Ishinabe	D14/188
D563,381 S *	3/2008	Carrier et al.	D14/188
D565,021 S *	3/2008	Wilson	D14/188
D610,125 S *	2/2010	Ichikawa et al.	D14/188
D616,376 S *	5/2010	Lannoch	D13/162
D694,735 S *	12/2013	Wilson	D14/188
D703,181 S *	4/2014	Wilson	D14/188
D707,197 S *	6/2014	Jaenecke et al.	D14/157

* cited by examiner

Primary Examiner — Keli L Hill
(74) *Attorney, Agent, or Firm* — Jones Waldo Holbrook & McDonough, PC; Brent T. Winder

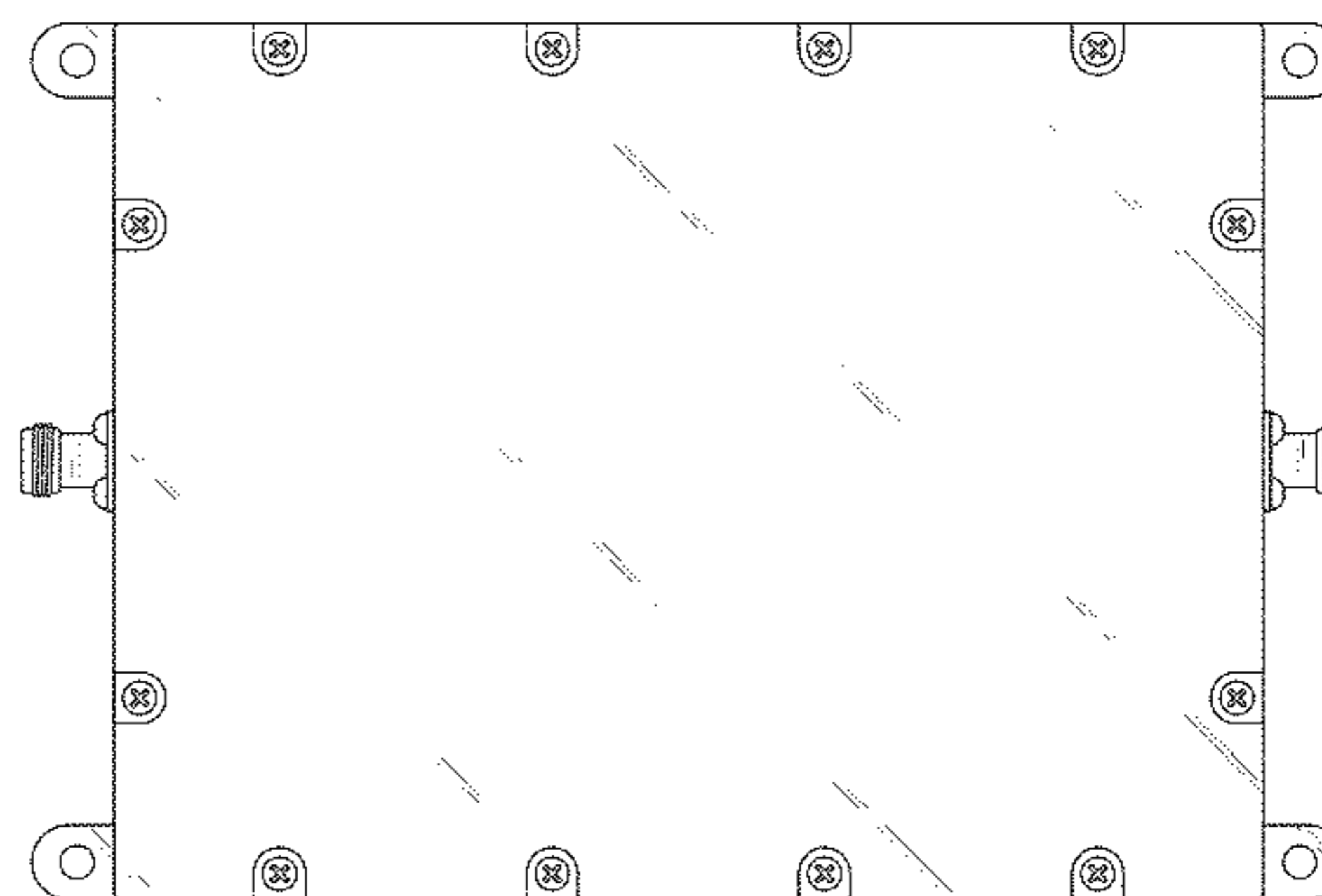
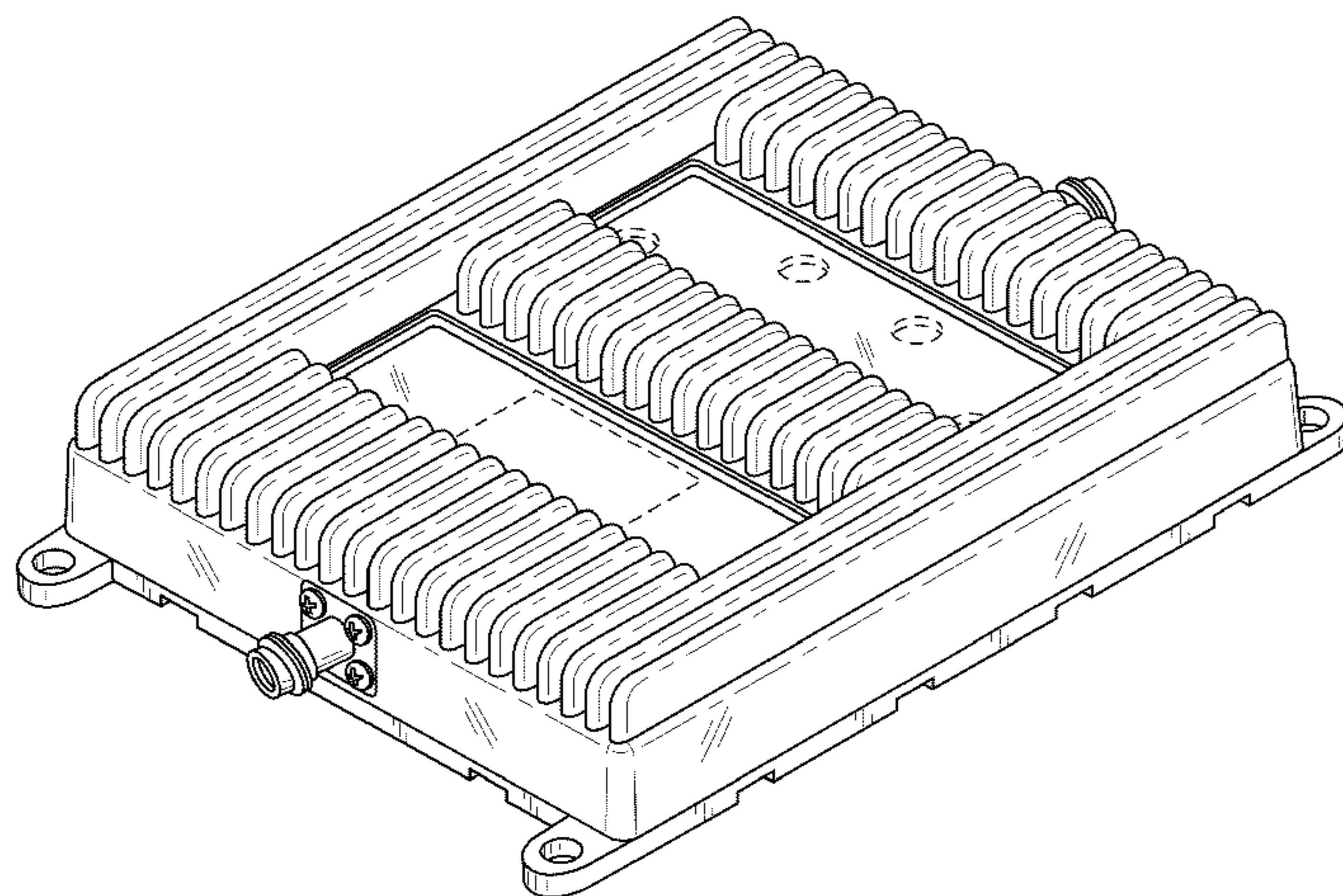
(57) **CLAIM**
The ornamental design for multi-fin amplifier case, as shown and described.

DESCRIPTION

FIG. 1 is a top, front and left side isometric view of a multi-fin amplifier case, embodying my new design;
FIG. 2 is a top plan view thereof;
FIG. 3 is a bottom plan view thereof;
FIG. 4 is a left side elevation view thereof, the right side elevation view being identical thereto; and,
FIG. 5 is a front elevation view thereof, the rear elevation view being identical thereto.
The broken lines shown are included for the purpose of illustrating portions of the multi-fin amplifier case that form no part of the claim.

1 Claim, 3 Drawing Sheets

- (56) **References Cited**
U.S. PATENT DOCUMENTS
- | | | | | |
|--------------|---------|-----------------|-------|-----------|
| D336,302 S * | 6/1993 | Kwang et al. | | D14/140.4 |
| D348,869 S * | 7/1994 | Egger et al. | | D13/123 |
| D386,761 S * | 11/1997 | Pleitz | | D14/188 |
| D400,206 S * | 10/1998 | Mahgerefteh | | D14/188 |
| D427,147 S * | 6/2000 | Wei | | D13/110 |
| D428,006 S * | 7/2000 | Sagues et al. | | D14/356 |
| D431,816 S * | 10/2000 | Beaumont et al. | | D14/188 |
| D446,204 S * | 8/2001 | Smith | | D14/188 |



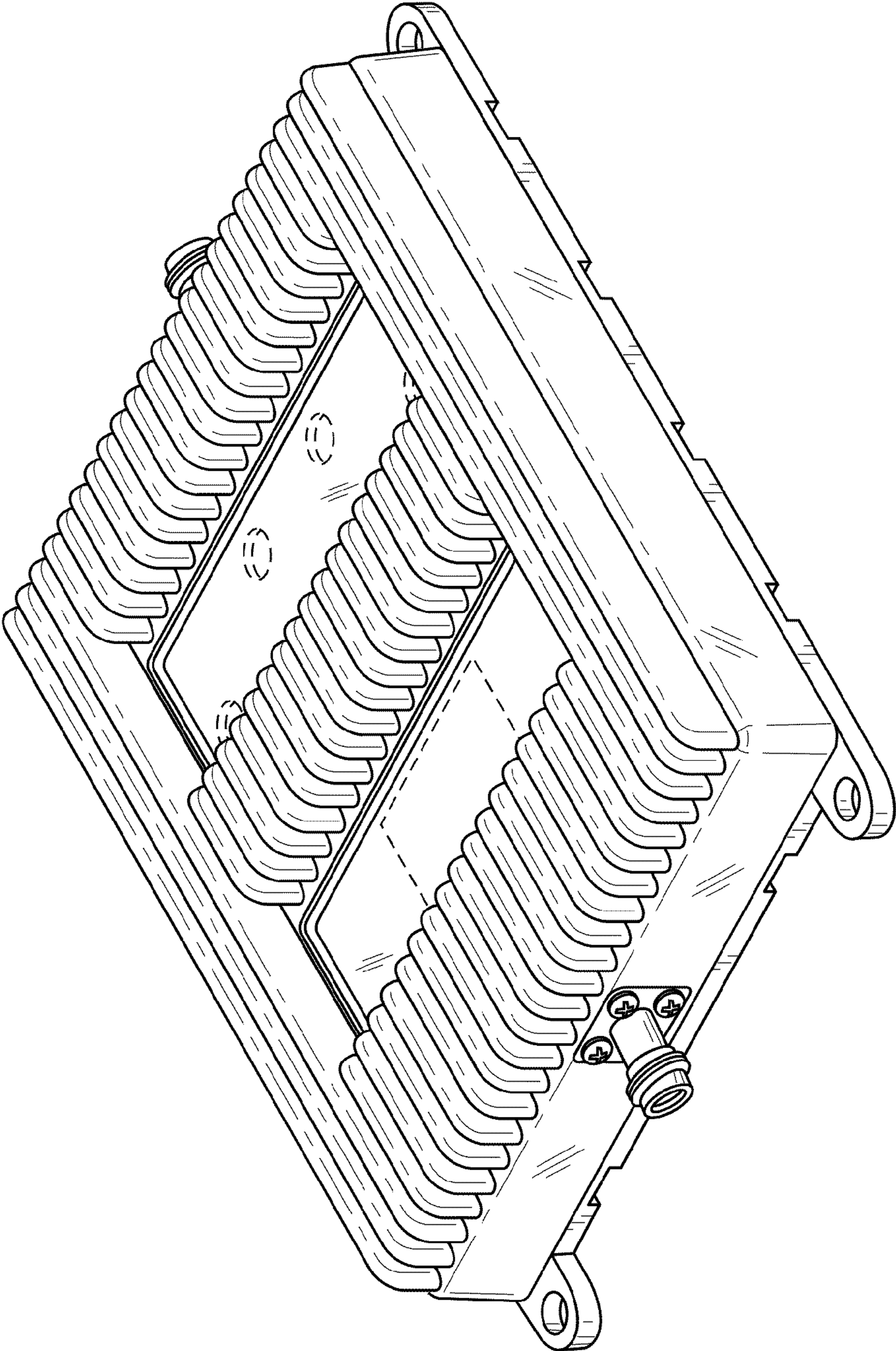


FIG. 1

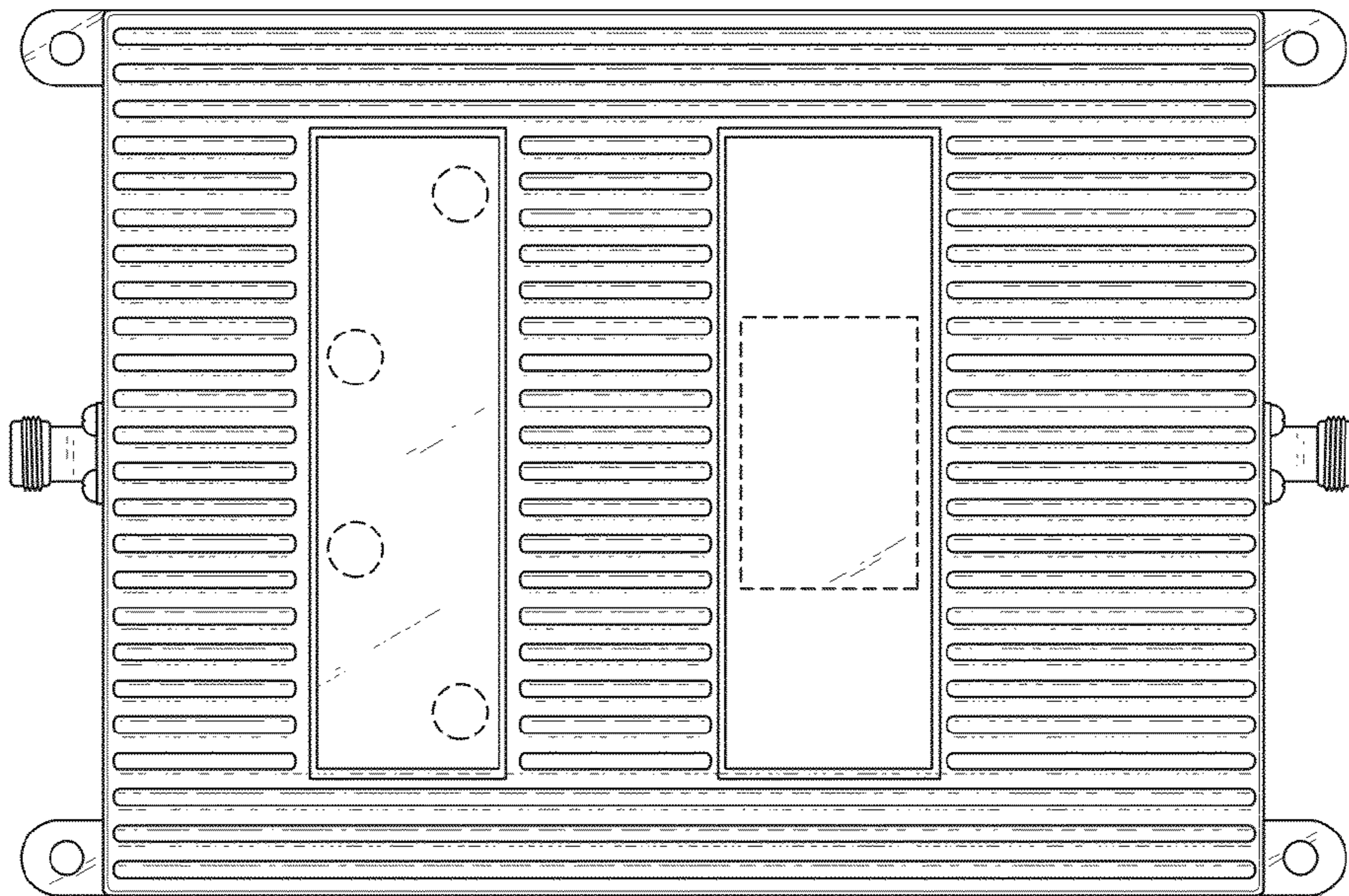


Fig. 2

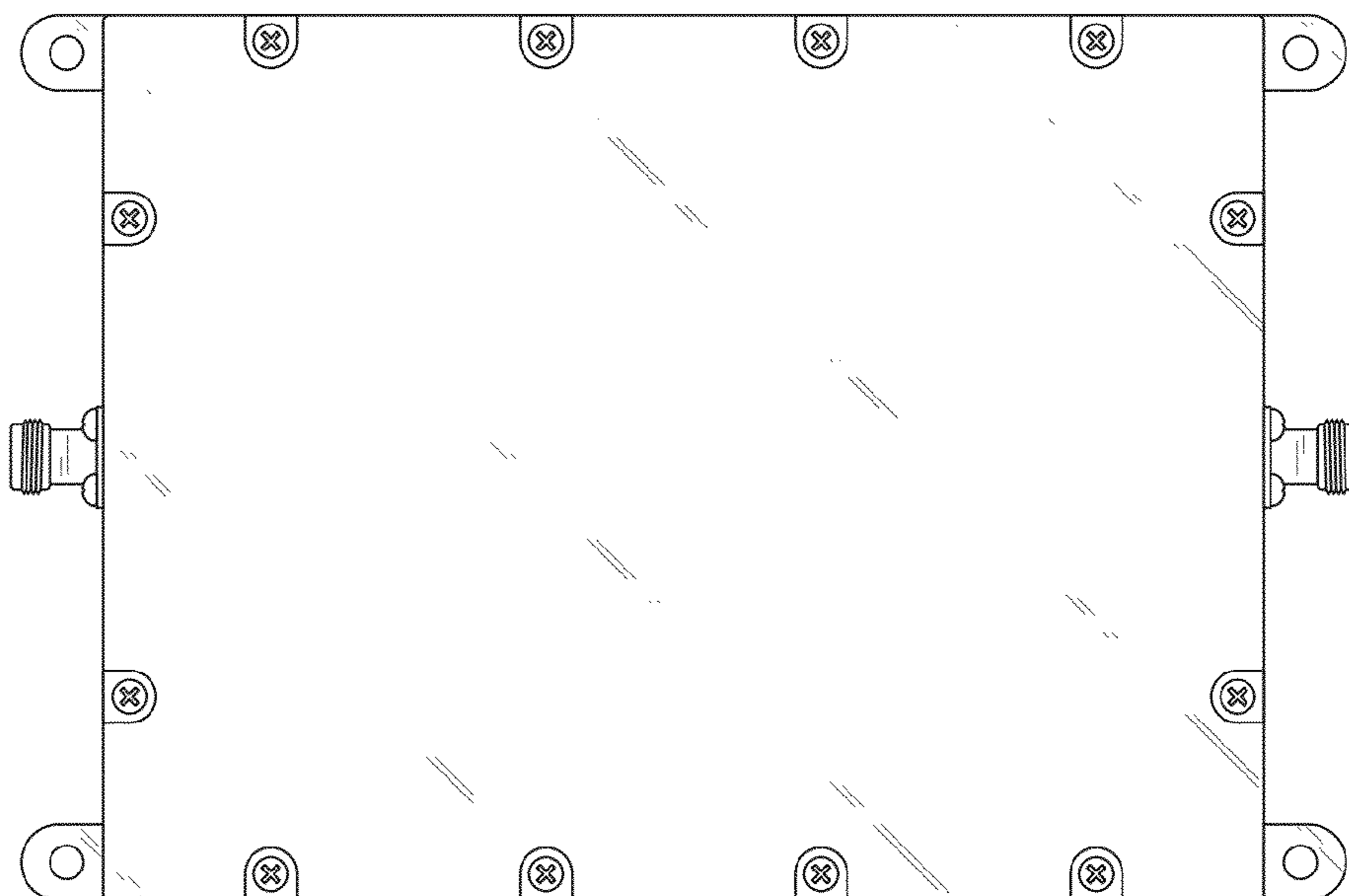


Fig. 3

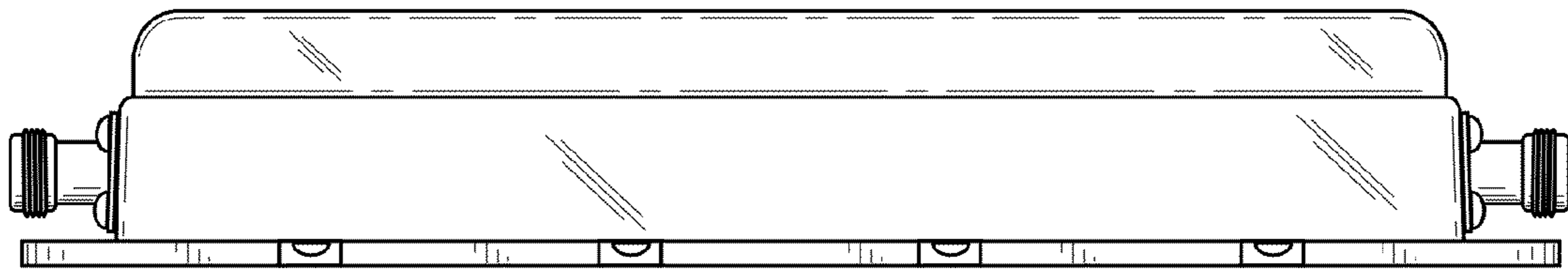


FIG. 4

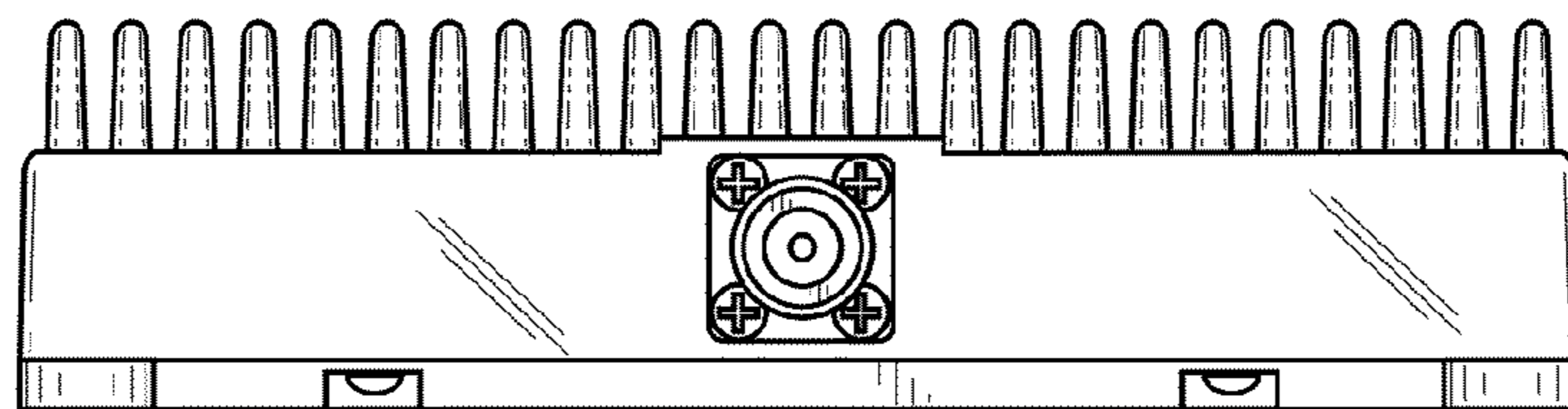


FIG. 5