



US00D726140S

(12) **United States Design Patent**
Park et al.

(10) **Patent No.:** **US D726,140 S**
(45) **Date of Patent:** **** Apr. 7, 2015**

(54) **MOBILE PHONE**

- (71) Applicant: **LG Electronics Inc.**, Seoul (KR)
- (72) Inventors: **Sangmin Park**, Seoul (KR); **Seunghoon Ryu**, Goyang-si (KR); **Jonghak Lee**, Cheonan-si (KR)
- (73) Assignee: **LG Electronics Inc.**, Seoul (KR)
- (**) Term: **14 Years**
- (21) Appl. No.: **29/481,052**
- (22) Filed: **Jan. 31, 2014**
- (30) **Foreign Application Priority Data**

Aug. 1, 2013 (KR) 30-2013-0039949

(51) **LOC (10) Cl.** **14-03**

(52) **U.S. Cl.**
USPC **D14/138 R; D14/344**

(58) **Field of Classification Search**
CPC H04B 1/03; H04B 1/385; G04G 17/083
USPC D14/140, 137, 138 R, 138 AB, 139, 155, D14/191, 192, 203.1, 203.3, 203.4, 203.5, D14/203.7, 248, 226, 218, 144, 240, 344, D14/341, 342, 345, 440, 346, 448, 450, D14/496; D10/30-39, 70, 65, 78, 104.1, D10/104.2, 125; D11/3-5, 12, 19, 25; D13/168; D8/354, 366, 402, 499; D3/215; D15/199; 381/364, 151; 379/433.1; 455/575.1, 556.1, 556.2, 455/558, 575.3, 575.4, 575.6, 90.3; 368/10, 368/13, 69, 223; D21/329; D24/167

See application file for complete search history.

(56) **References Cited**

U.S. PATENT DOCUMENTS

- 5,274,613 A * 12/1993 Seager 368/13
- 5,418,760 A * 5/1995 Kawashima et al. 368/69

(Continued)

OTHER PUBLICATIONS

LG Supplying Flexible OLED Screens To Apple For The 'iWatch' (Bryan M. Wolfe). appadvice.com [online] 3 pages. Uploaded Oct. 13, 2013 [retrieved on Oct. 30, 2014]. Retrieved from Internet: <http://appadvice.com/appnn/2013/10/lg-could-soon-be-supplying-flexible-oled-screens-to-apple-for-the-iwatch>.*

(Continued)

Primary Examiner — Susan Bennett Hattan

Assistant Examiner — Marie Fast Horse

(74) *Attorney, Agent, or Firm* — Birch, Stewart, Kolasch & Birch, LLP

(57) **CLAIM**

The ornamental design for a mobile phone, as shown and described.

DESCRIPTION

FIG. 1 is a perspective view of a mobile phone showing our new design in which the display part has been bent and wound around the band;

FIG. 2 is a front view thereof;

FIG. 3 is a rear view thereof;

FIG. 4 is a left side view thereof where the right side view is a mirror image;

FIG. 5 is a top plan view thereof;

FIG. 6 is a bottom plan view thereof;

FIG. 7 is a perspective view thereof showing the state that the display part has been flattened;

FIG. 8 is a front view of FIG. 7;

FIG. 9 is a left side view of FIG. 7;

FIG. 10 is a top plan view of FIG. 7;

FIG. 11 is a bottom plan view of FIG. 7;

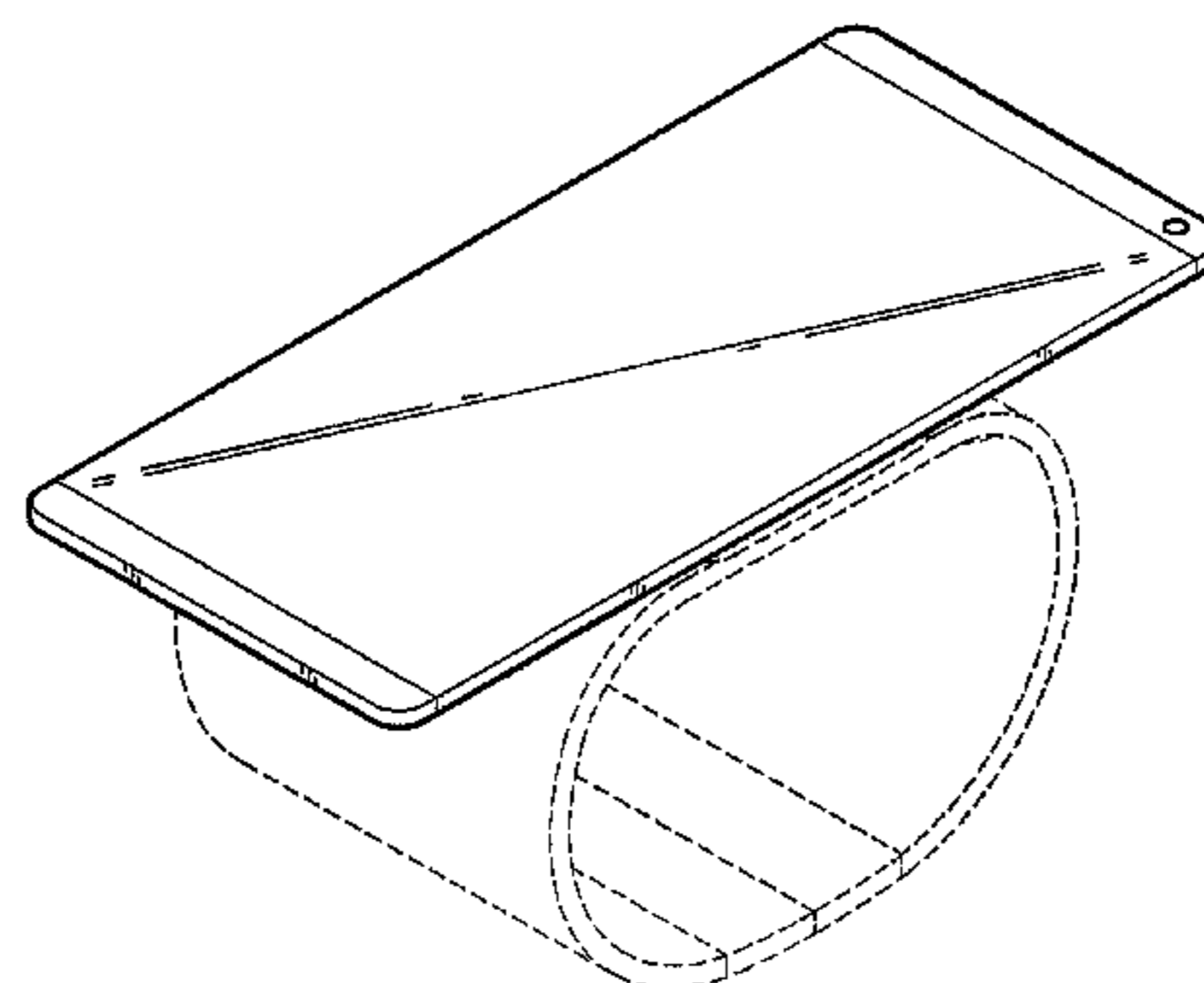
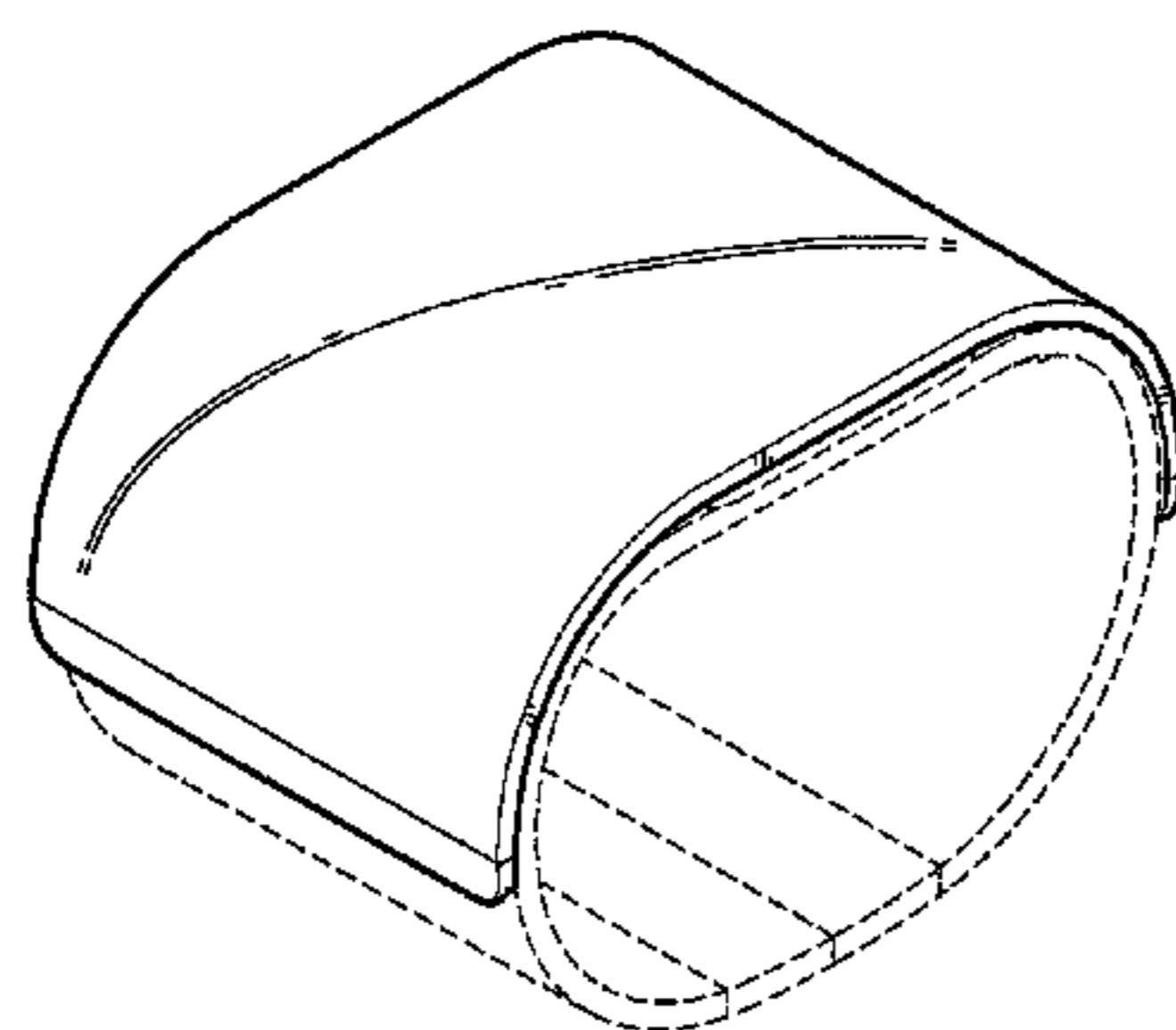
FIG. 12 is a perspective view of FIG. 7 showing the state in which the display part has been swivelled at an angle of 90 degrees counterclockwise;

FIG. 13 is a front view of FIG. 12; and,

FIG. 14 is a top plan view of FIG. 12.

The broken lines depict parts of the mobile phone that form no part of the claimed design.

1 Claim, 10 Drawing Sheets



(56)

References Cited

U.S. PATENT DOCUMENTS

- D373,419 S * 9/1996 Muramatsu et al. D24/165
 5,687,732 A * 11/1997 Inagaki et al. 600/485
 D403,070 S * 12/1998 Maeda et al. D24/165
 D406,346 S * 3/1999 Hirakawa D24/165
 D407,492 S * 3/1999 Lubs et al. D24/165
 D410,854 S * 6/1999 Cheung et al. D10/39
 6,035,035 A * 3/2000 Firooz 379/433.1
 6,044,153 A * 3/2000 Kaschke 379/433.01
 D426,637 S * 6/2000 Ochi et al. D24/165
 D438,374 S * 3/2001 Hayman D3/215
 D444,395 S * 7/2001 Upton D10/30
 6,447,457 B1 * 9/2002 Forstner et al. 600/485
 D482,671 S * 11/2003 DiDonato D14/144
 6,765,846 B2 * 7/2004 Saitou et al. 368/10
 6,970,157 B2 * 11/2005 Siddeeq 345/168
 D549,221 S * 8/2007 Yagi D14/218
 D550,112 S * 9/2007 Andren et al. D11/3
 D565,427 S * 4/2008 Ellner et al. D10/31
 D567,227 S * 4/2008 Hada D14/218
 D570,711 S * 6/2008 Dorsz D10/32
 D576,501 S * 9/2008 Tang D10/32
 D583,346 S * 12/2008 Jung et al. D14/138 AD
 D584,972 S * 1/2009 Aeberhard et al. D10/70
 D611,357 S * 3/2010 Giroud D10/32
 D622,692 S * 8/2010 McWilliam et al. D14/138 G
 D650,706 S * 12/2011 Zanella et al. D10/32
 D654,905 S * 2/2012 Forsyth D14/138 G
 D661,275 S * 6/2012 Roka D14/138 R
 D664,517 S * 7/2012 Sutherland et al. D14/138 G
 8,270,914 B2 * 9/2012 Pascolini et al. 455/90.2
 8,328,055 B1 * 12/2012 Snyder 224/197
 D675,180 S * 1/2013 Zhang et al. D14/138 G
 D683,711 S * 6/2013 Hofer et al. D14/138 G
 D683,713 S * 6/2013 Hofer et al. D14/138 G
 D684,571 S * 6/2013 Akana et al. D14/341
 8,473,015 B2 * 6/2013 Kim et al. 455/575.3
 D688,585 S * 8/2013 Ohnemus et al. D11/3
 D692,872 S * 11/2013 Hofer et al. D14/248
 D699,700 S * 2/2014 Yoo et al. D14/138 G
 D700,164 S * 2/2014 Park et al. D14/138 G
 D701,504 S * 3/2014 Christopher et al. D14/344
 D703,069 S * 4/2014 Adams et al. D10/31
 D703,176 S * 4/2014 Yoo et al. D14/138 G
 D703,177 S * 4/2014 Park et al. D14/138 G
 D703,178 S * 4/2014 Park et al. D14/138 G
 D703,429 S * 4/2014 Morrison D3/218
 D703,632 S * 4/2014 Lim et al. D14/138 G
 8,725,842 B1 * 5/2014 Al-Nasser 709/219
 D706,237 S * 6/2014 Kim et al. D14/138 G
 D706,238 S * 6/2014 Kim et al. D14/138 G
 D706,736 S * 6/2014 Kim et al. D14/138 G
 D706,737 S * 6/2014 Kim et al. D14/138 G
 D706,738 S * 6/2014 Kim et al. D14/138 G
 D707,223 S * 6/2014 Akana et al. D14/341
 D707,645 S * 6/2014 Kim et al. D14/138 G
 D707,646 S * 6/2014 Kim et al. D14/138 G
 D709,473 S * 7/2014 Kim et al. D14/138 G
 D710,843 S * 8/2014 Akana et al. D14/341
 D711,360 S * 8/2014 Park D14/248
 D714,269 S * 9/2014 Lee et al. D14/248
 D714,270 S * 9/2014 Lee et al. D14/248
 D714,271 S * 9/2014 Lee et al. D14/248
 D715,281 S * 10/2014 Kim et al. D14/248
 D715,758 S * 10/2014 Yun et al. D14/138 R
 D715,801 S * 10/2014 Lee D14/407
 D716,246 S * 10/2014 Yun et al. D14/138 R
 D716,778 S * 11/2014 Moore et al. D14/248
 2004/0209657 A1 * 10/2004 Ghassabian 455/575.1
 2006/0209218 A1 * 9/2006 Lee et al. 349/1
 2008/0248838 A1 * 10/2008 Chiang 455/566
 2009/0175130 A1 * 7/2009 Hilfiker 368/10
 2010/0029327 A1 * 2/2010 Jee 455/556.1
 2010/0035669 A1 * 2/2010 Jang et al. 455/575.4
 2010/0144408 A1 * 6/2010 Chuang et al. 455/575.4
 2011/0053662 A1 * 3/2011 Wei 455/575.1
 2011/0199205 A1 * 8/2011 Kreml 340/539.11
 2011/0267196 A1 * 11/2011 Hu et al. 340/575
 2011/0275906 A1 * 11/2011 Chen 600/301
 2012/0122519 A1 * 5/2012 Jochheim 455/556.1
 2013/0210504 A1 * 8/2013 Mareno 455/575.8
 2013/0237778 A1 * 9/2013 Rouquette 600/301
 2014/0031662 A1 * 1/2014 Chou 600/384
 2014/0245464 A1 * 8/2014 Chu 726/35

OTHER PUBLICATIONS

- OLED phones with curved displays (Samsung and LG). techenclave.com [online] 4 pages. Uploaded Oct. 2, 2013 [retrieved on Oct. 30, 2014]. Retrieved from Internet: <<https://www.techenclave.com/news/oled-phones-with-curved-displays-to-be-introduced-by-samsung-and-lg-this-month/6540/>>.*
 Phone Concept—(LG/be). itechfuture.com. [online] 9 pages. Uploaded Aug. 28, 2010 [retrieved on Oct. 30, 2014]. Retrieved from Internet: <<http://itechfuture.com/phone-concept-lg-be/>>.*
 Limbo Flexible Smartphone Concept (Jeabyun Yeon). tuvie.com. [online] 7 pages. Uploaded as early as Apr. 11, 2013 (81 weeks from the date retrieved—based on the comment) [retrieved on Oct. 30, 2014]. Retrieved from Internet: <<http://www.tuvie.com/limbo-flexible-smartphone-concept-by-jeabyun-yeon/>>.*
 Concept Phones we Wish were Real in 2012 (Go Concept Phone). irisgadgets.wordpress.com. [online] pp. 8-12 of 20. Uploaded May 2, 2012 [retrieved on Oct. 30, 2014]. Retrieved from Internet: <http://irisgadgets.wordpress.com/>.*
 HTC One (Nathan Olivarez-Giles). wired.com. [online] 6 pages. Uploaded Apr. 8, 2013 [retrieved on Nov. 6, 2014]. Retrieved from Internet:<<http://www.wired.com/2013/04/htc-one/>>.*

* cited by examiner

FIG. 1

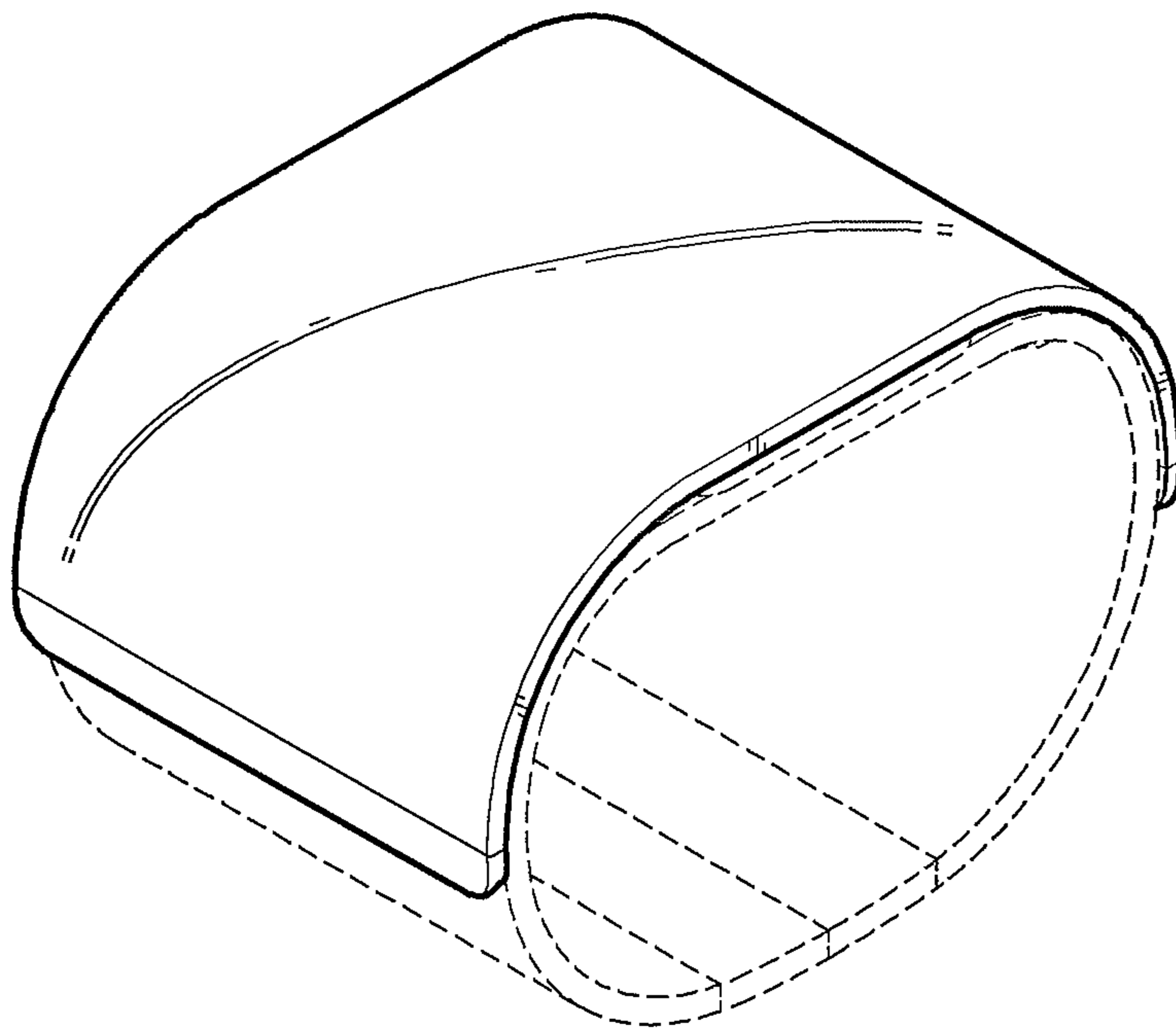


FIG. 2

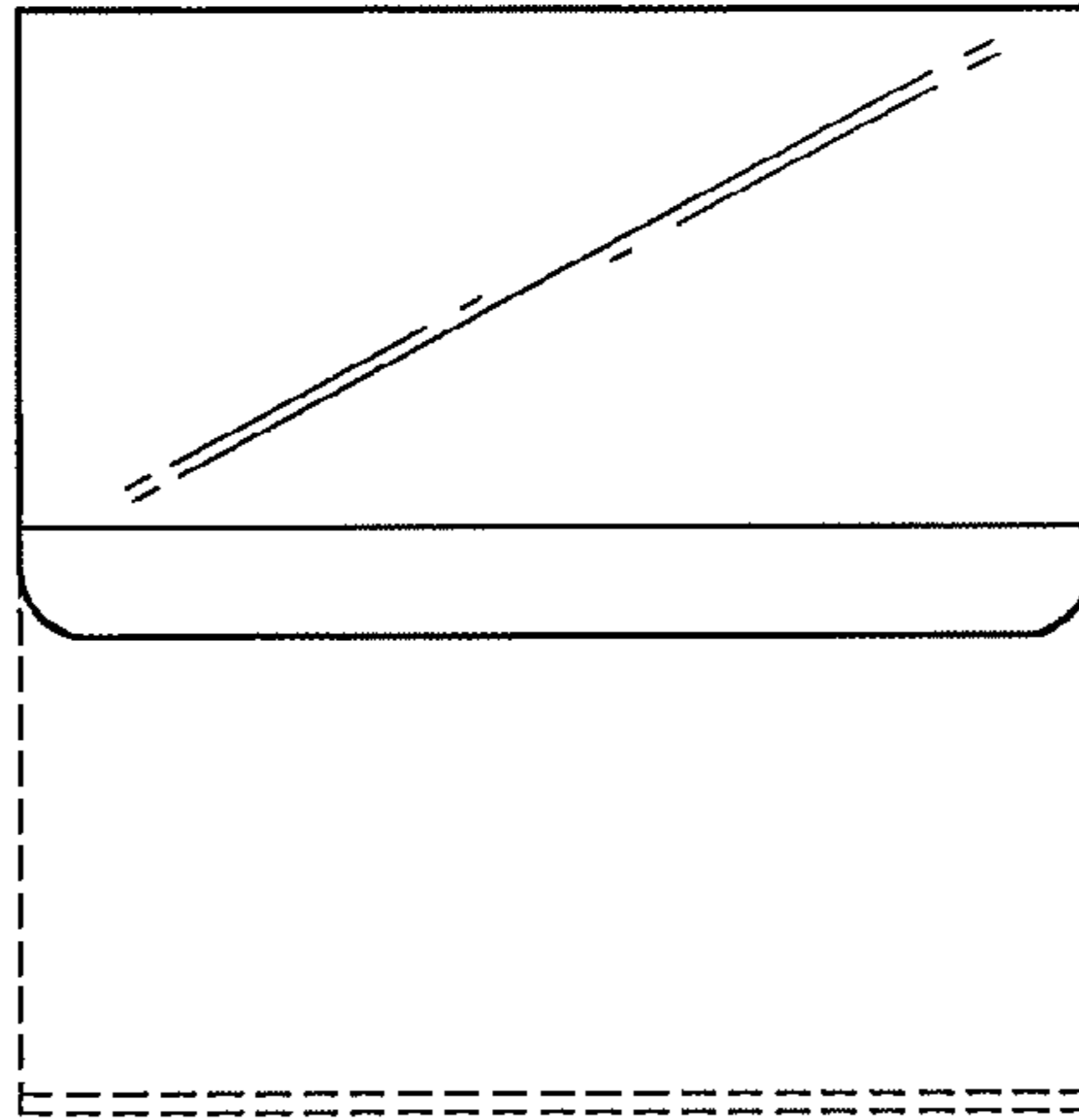


FIG. 3

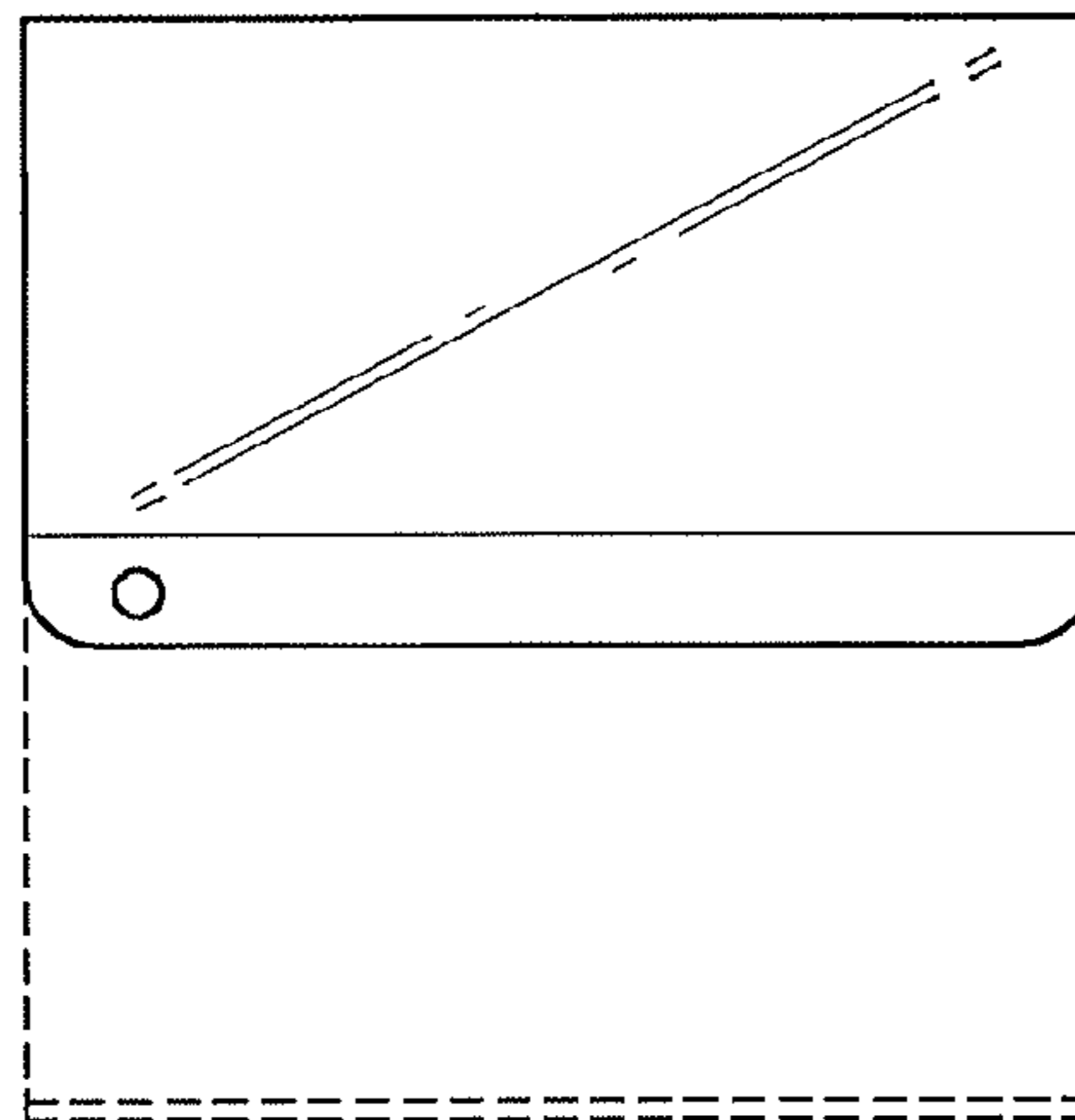


FIG. 4

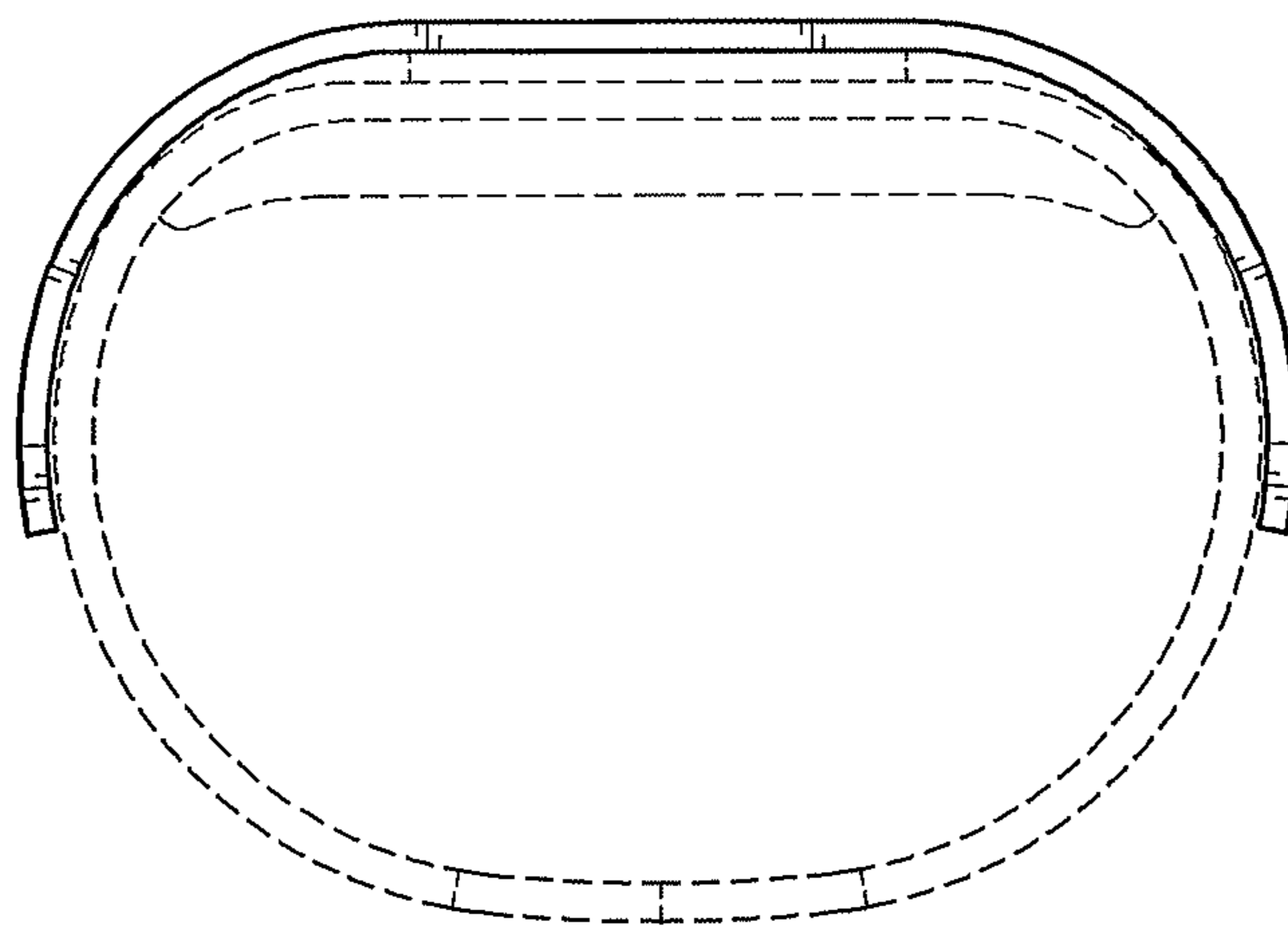


FIG. 5

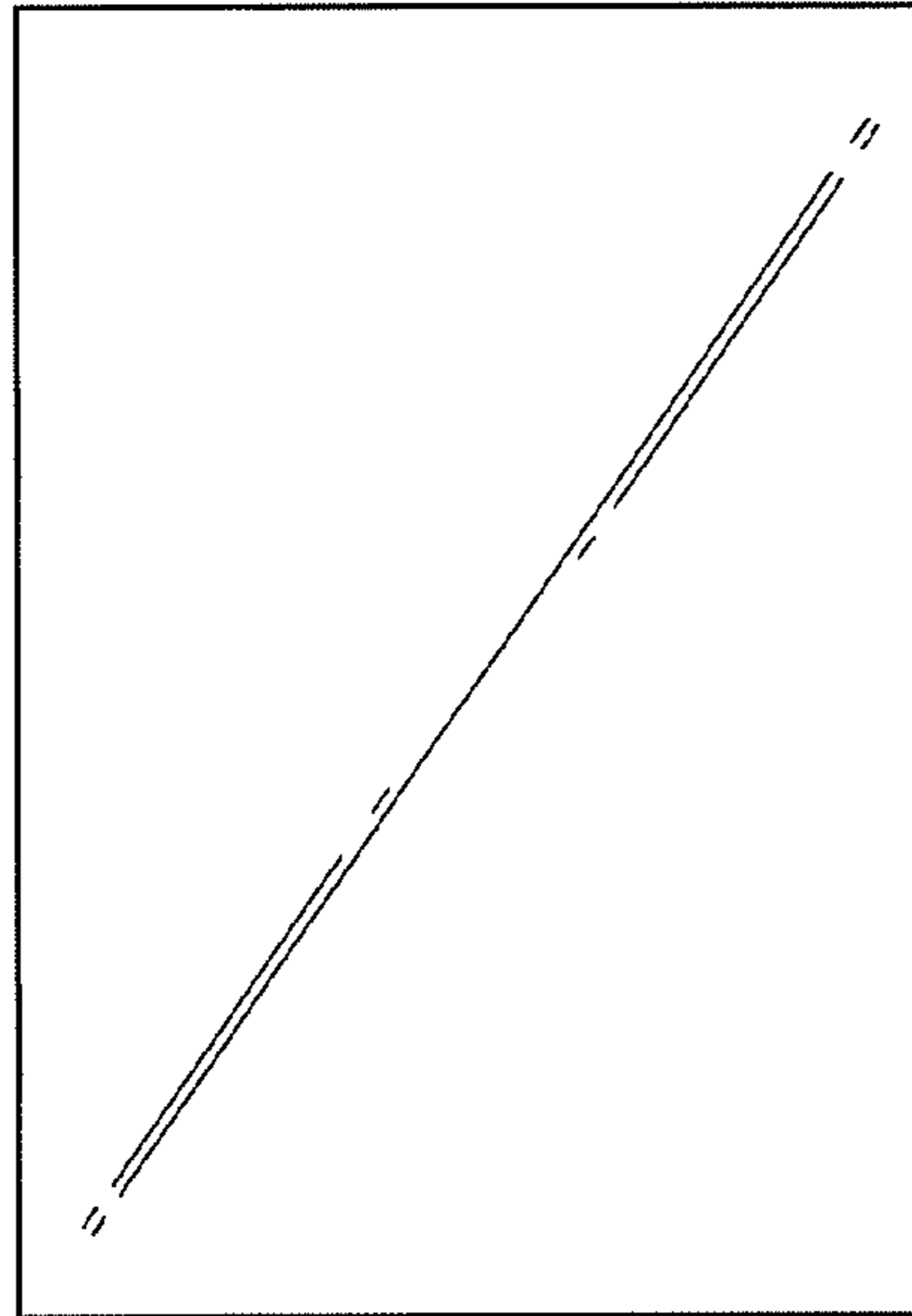


FIG. 6

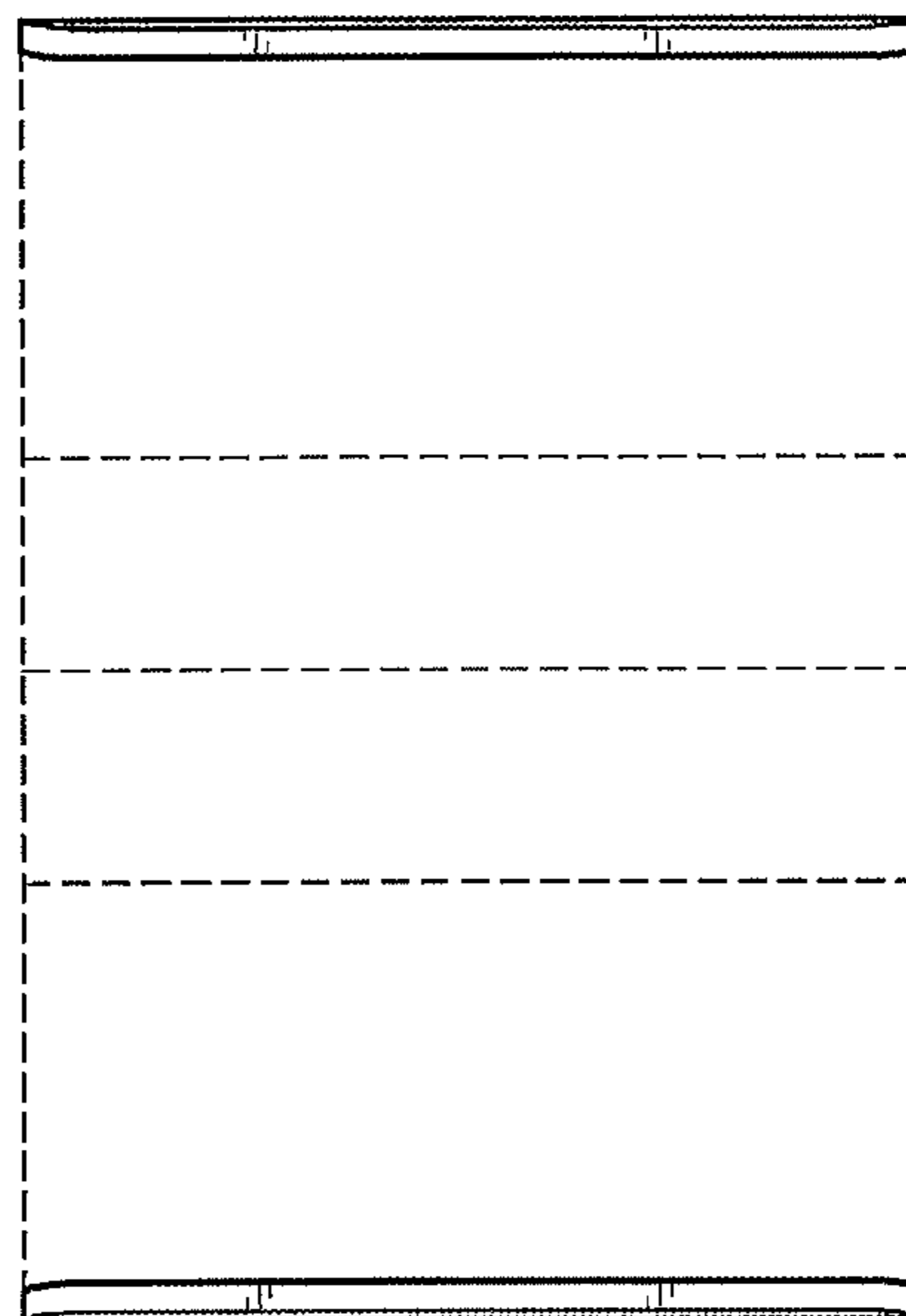


FIG. 7

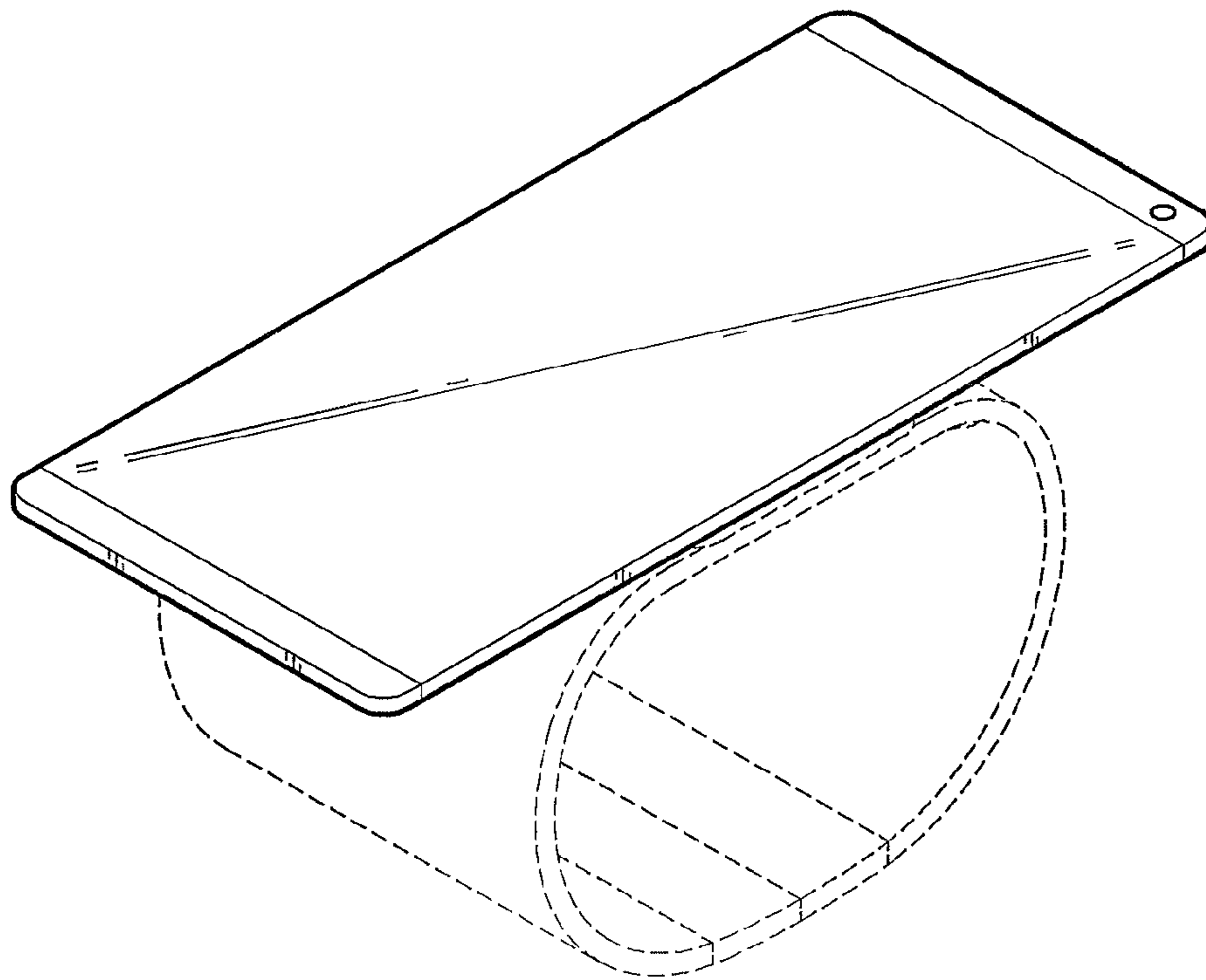


FIG. 8

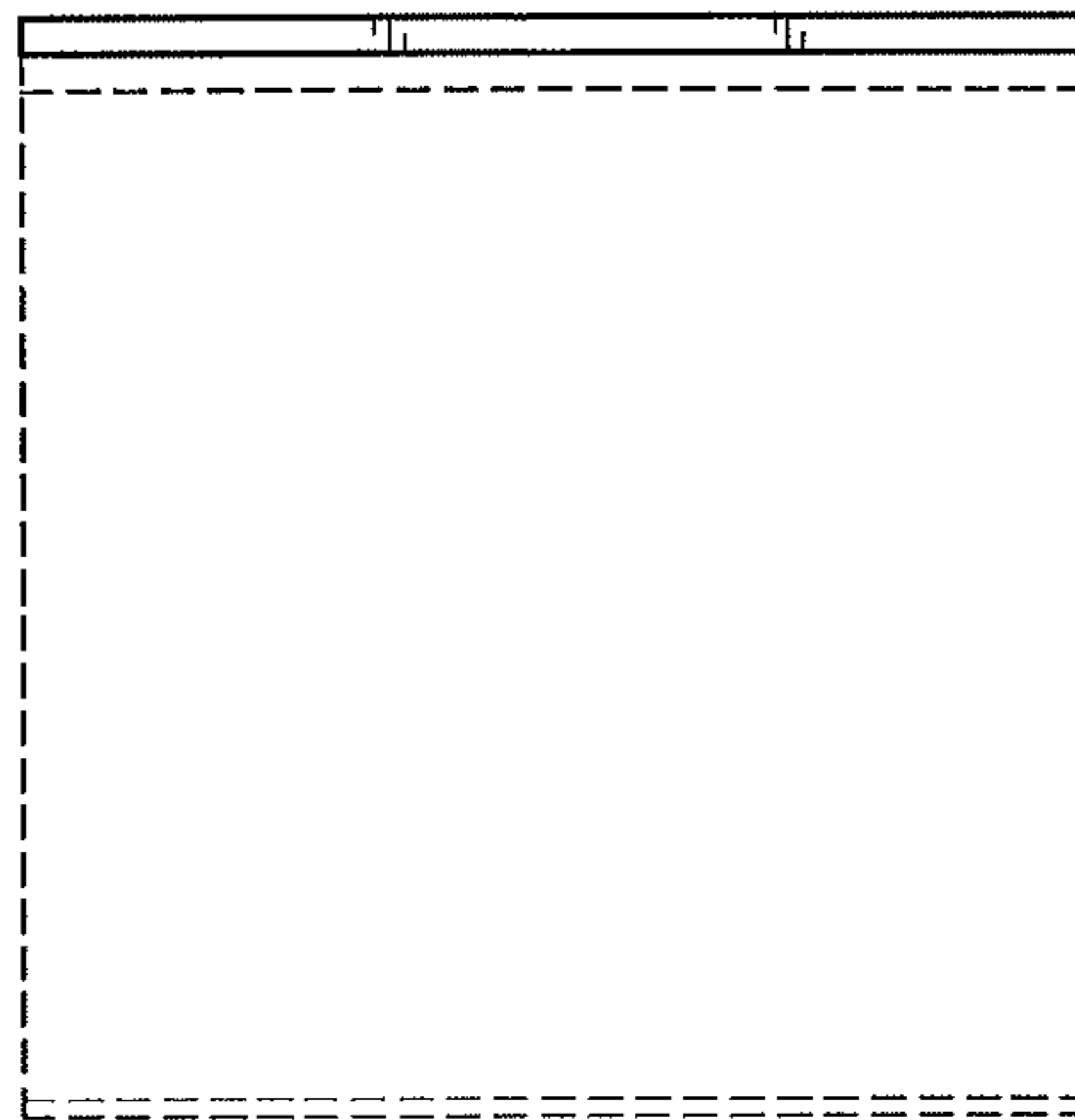


FIG. 9

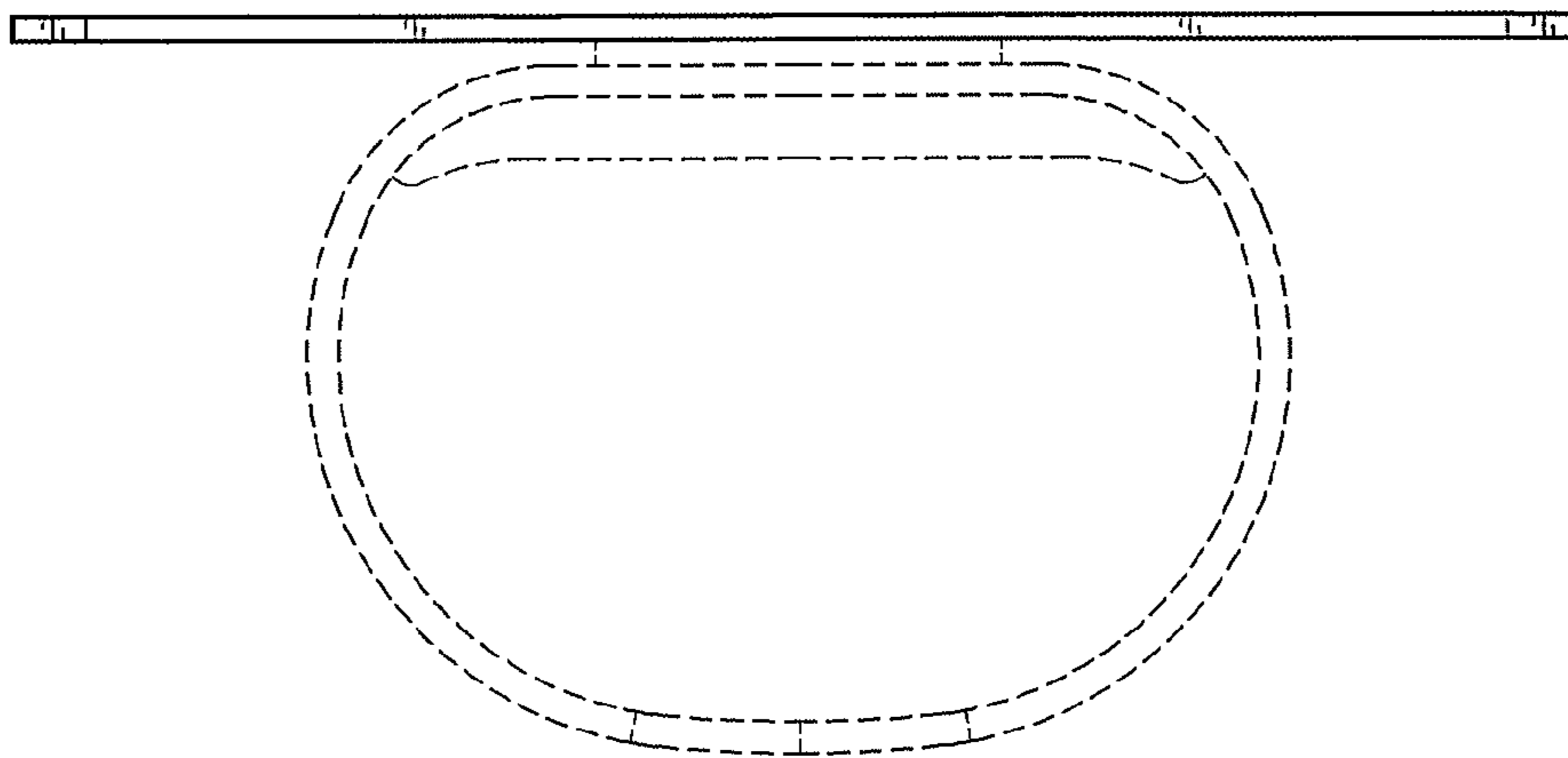


FIG. 10

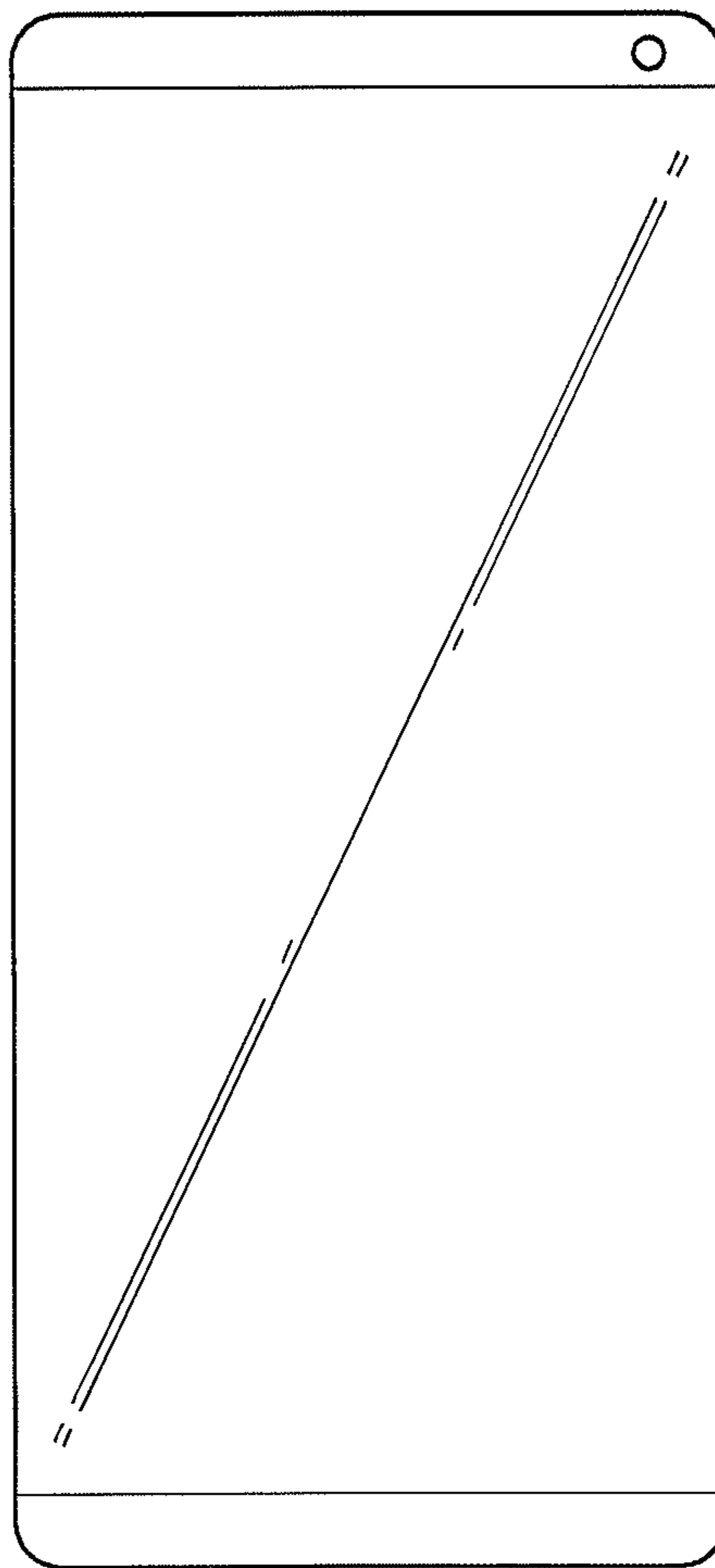


FIG. 11

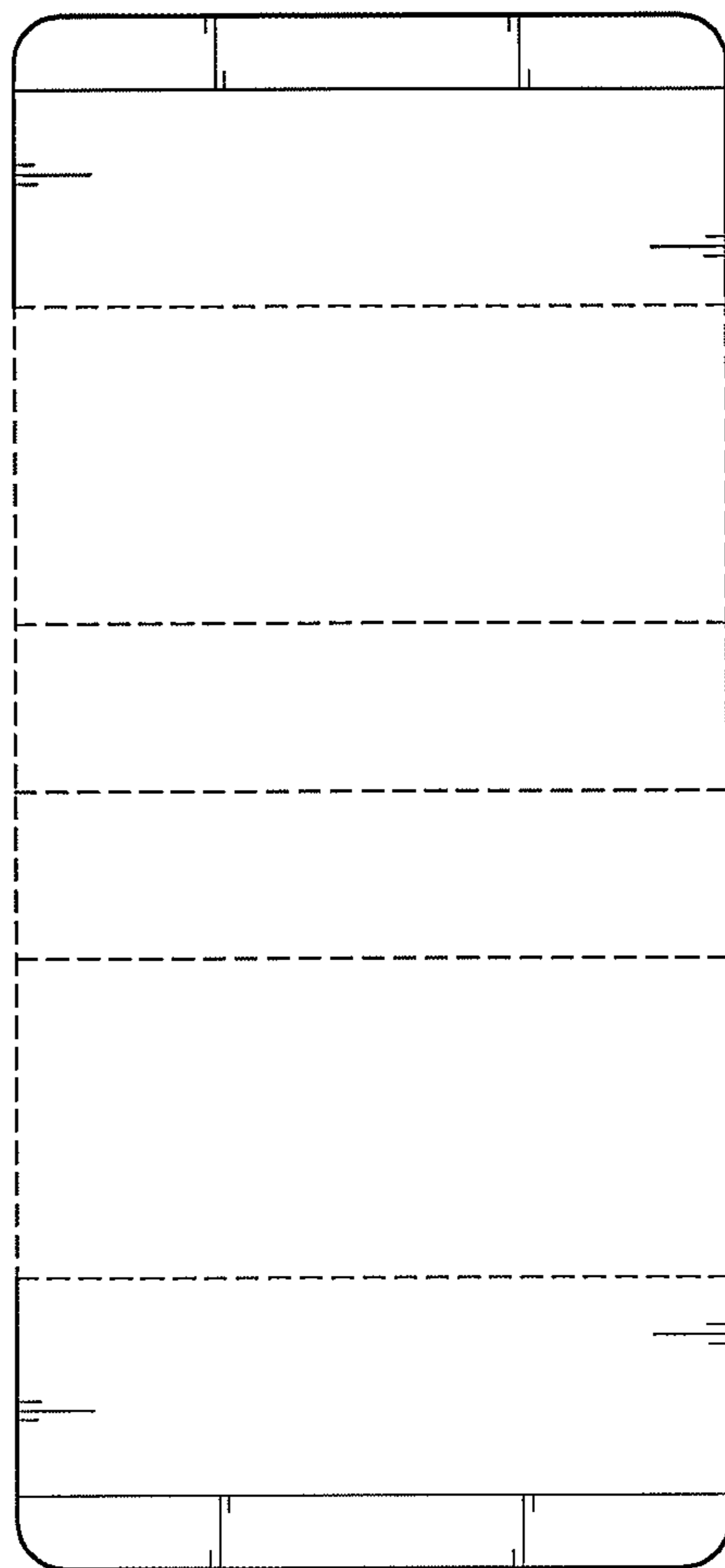


FIG. 12

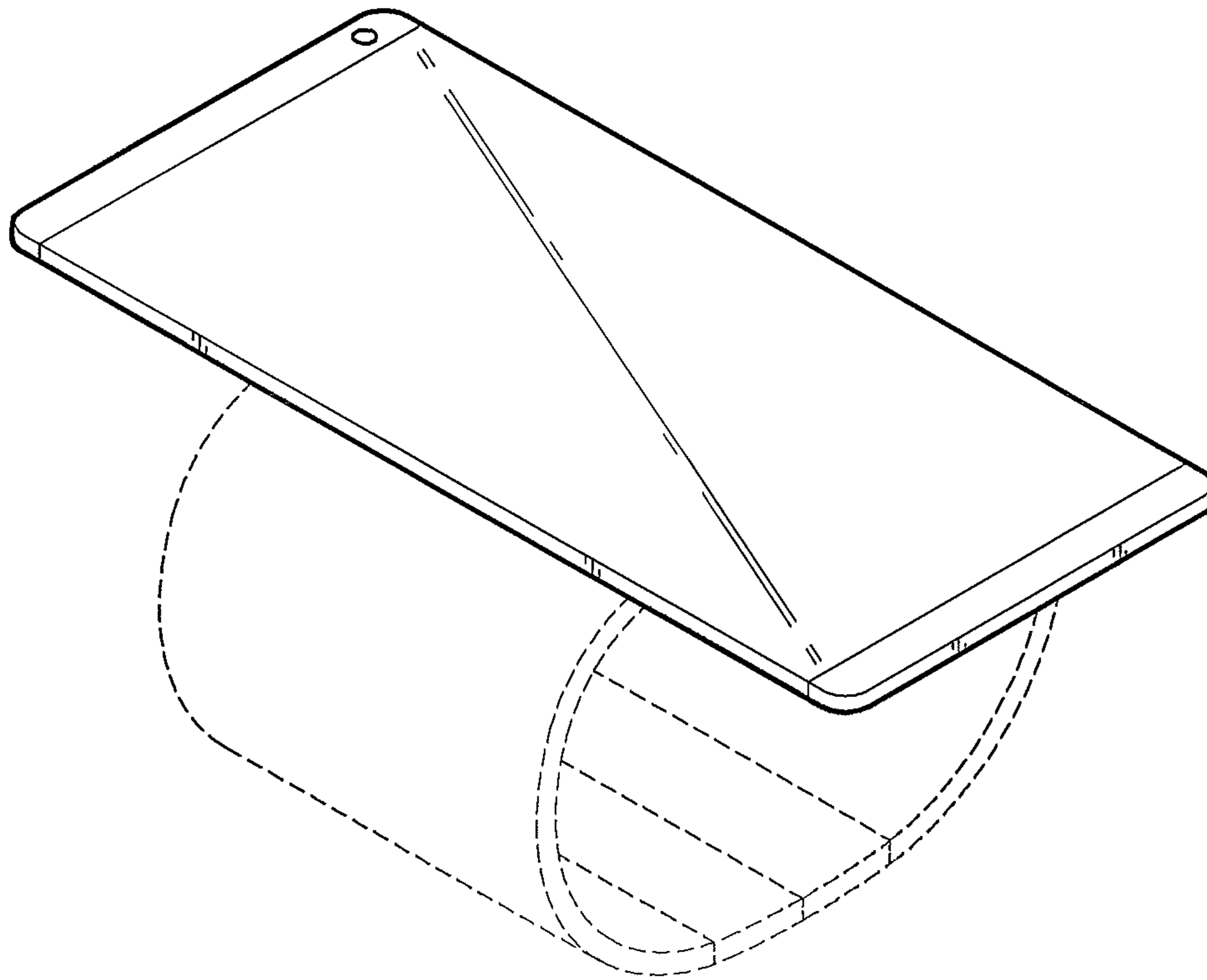


FIG. 13

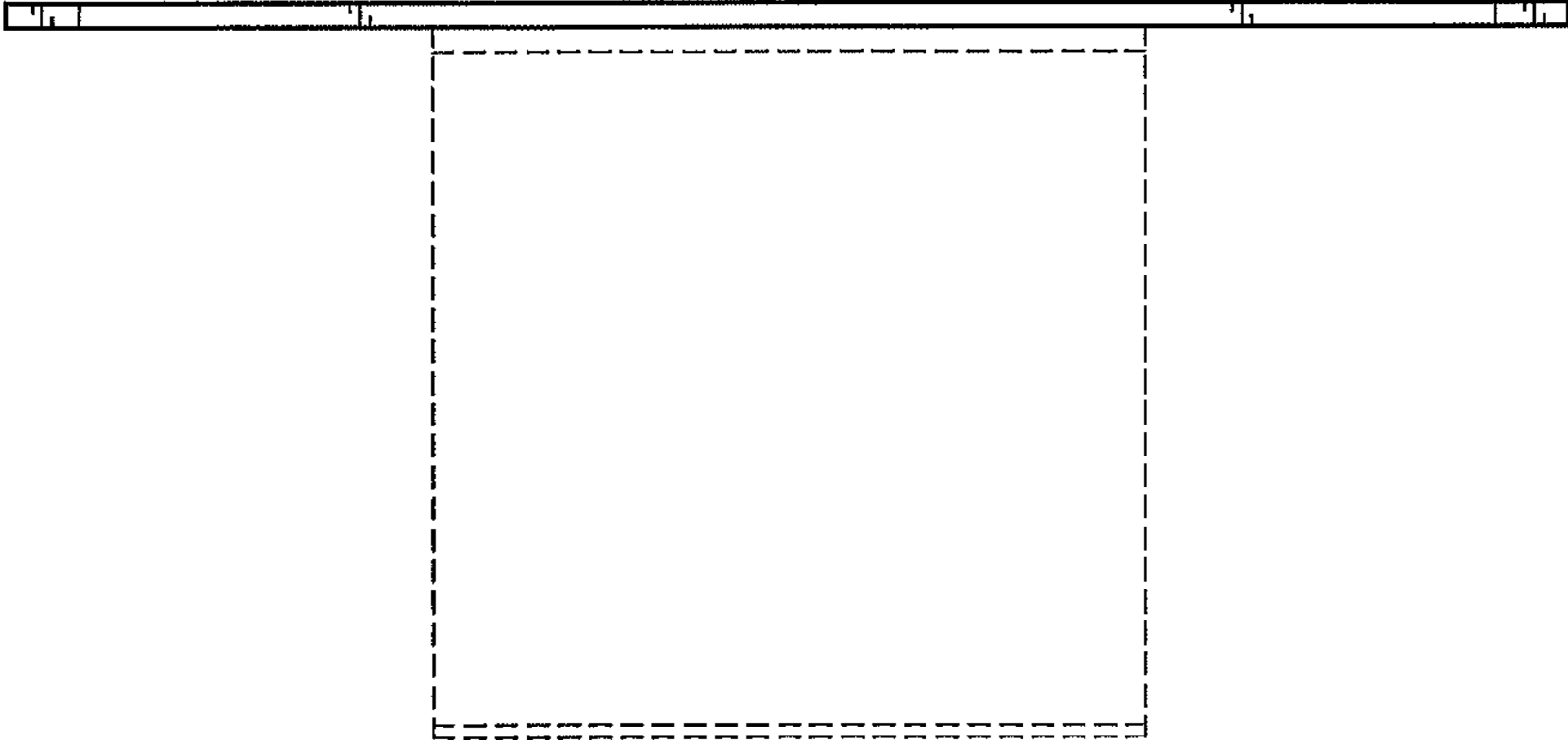


FIG. 14

