



US00D726138S

(12) **United States Design Patent**
Daniel

(10) **Patent No.:** **US D726,138 S**
(45) **Date of Patent:** **** Apr. 7, 2015**

(54) **PORTABLE COMMUNICATION DEVICE**

(71) Applicant: **Isaac S. Daniel**, Miramar, FL (US)

(72) Inventor: **Isaac S. Daniel**, Miramar, FL (US)

(**) Term: **14 Years**

(21) Appl. No.: **29/460,047**

(22) Filed: **Jul. 8, 2013**

(51) **LOC (10) Cl.** **14-03**

(52) **U.S. Cl.**
USPC **D14/137**

(58) **Field of Classification Search**

CPC H04B 1/385; G04G 21/08; G04G 17/08;
G04G 21/00; G04G 21/025; G04G 9/0064;
H04M 1/72552; G08B 21/043; G08B 21/0446;
G08B 21/0453
USPC D14/140, 137, 138 R, 138 AB, 139,
D14/203.5, 203.1, 203.3, 203.4, 203.7, 248,
D14/218, 144, 240, 341, 346, 496;
D13/168; D11/3, 4, 5, 12, 19, 25;
D10/65, 78, 4.1, 104.2, 70, 31, 32, 38,
D10/39; D8/354, 366, 402, 499; 368/10, 13,
368/69; 455/575.1, 556.1, 556.2, 575.3,
455/575.4; D3/215; 381/364, 151;
D25/199, 155, 133

See application file for complete search history.

5,575,410 A * 11/1996 Compton 223/84
D406,364 S * 3/1999 Robert et al. D25/199
5,956,630 A * 9/1999 Mackey 455/344
D424,566 S * 5/2000 Baker D14/217
D430,224 S * 8/2000 Tomita et al. D21/333
D434,406 S * 11/2000 Towle D14/192
6,178,251 B1 * 1/2001 Luchs et al. 381/364
6,231,535 B1 * 5/2001 Mainiero et al. 602/18
D460,432 S * 7/2002 Brown D14/203.5
6,563,424 B1 * 5/2003 Kaario 340/572.1
6,594,370 B1 * 7/2003 Anderson 381/315
6,725,511 B1 * 4/2004 Rødseth 27/25.1
6,735,315 B1 * 5/2004 Ifukube et al. 381/70
D497,826 S * 11/2004 Nelson D11/3
D503,902 S * 4/2005 Shelton D11/4
D526,663 S * 8/2006 Bang D14/203.5
D527,299 S * 8/2006 Burich D11/3
D549,221 S * 8/2007 Yagi D14/218
D565,427 S * 4/2008 Ellner et al. D10/31
D573,055 S * 7/2008 Galloway D11/5
7,536,020 B2 * 5/2009 Fukumoto et al. 381/151
7,570,977 B2 * 8/2009 Gantz et al. 455/575.2
D600,571 S * 9/2009 Singer D10/32
D604,269 S * 11/2009 Choe D14/205

(Continued)

Primary Examiner — Susan Bennett Hattan

Assistant Examiner — Marie Fast Horse

(74) *Attorney, Agent, or Firm* — Carol N. Green Kaul, Esq.

(57) **CLAIM**

The ornamental design for a portable communication device,
as shown and described.

(56) **References Cited**

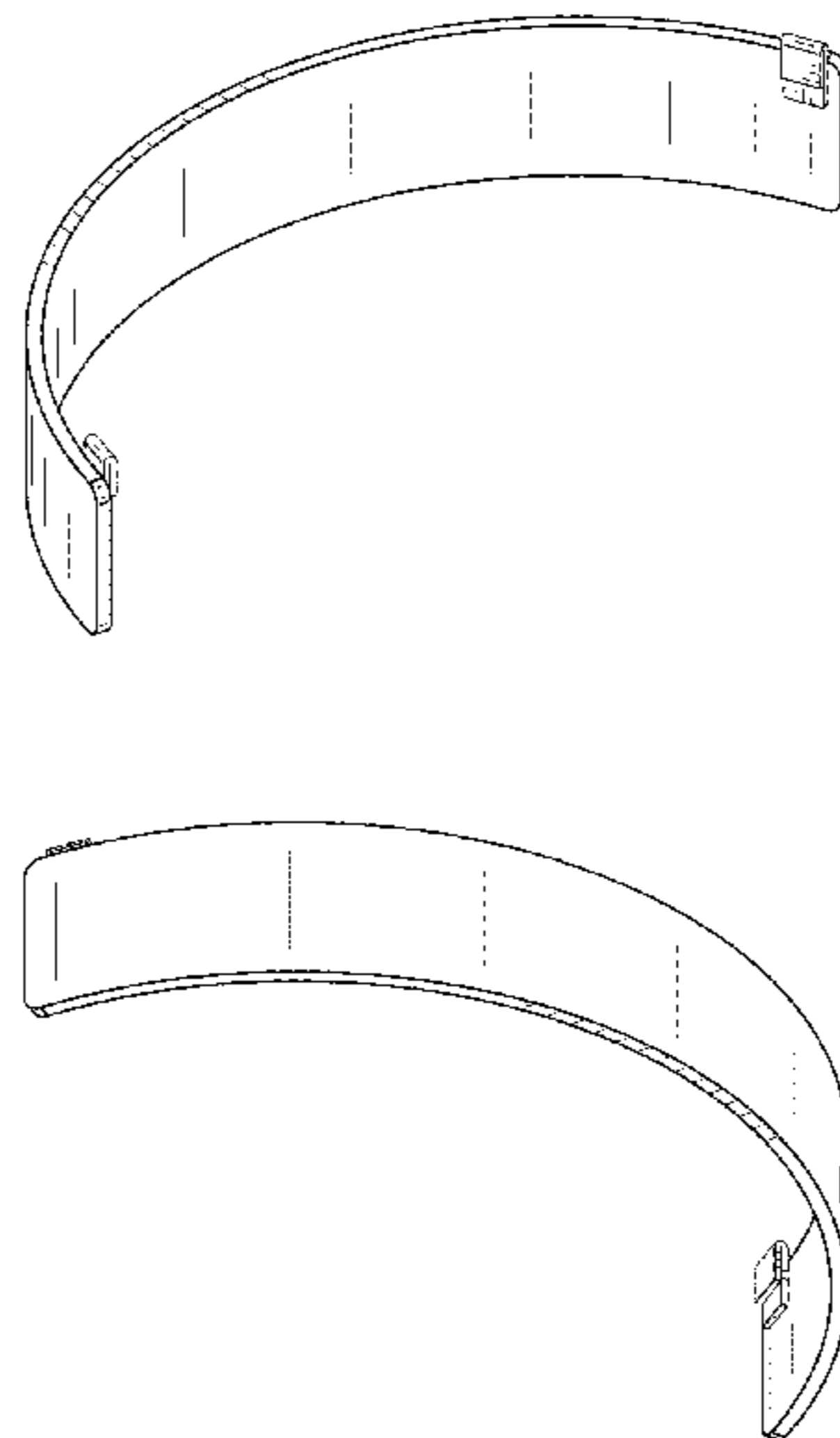
U.S. PATENT DOCUMENTS

D89,450 S * 3/1933 Reiss D11/4
2,121,779 A * 6/1938 Ballantine 381/151
2,358,099 A * 9/1944 Polk 381/357
4,070,553 A * 1/1978 Hass 381/301
D247,482 S * 3/1978 Schupp D11/4
5,076,392 A * 12/1991 Koenig 181/106
5,163,093 A * 11/1992 Frielingsdorf et al. 381/151
D333,306 S * 2/1993 Ferraro D14/251
5,418,760 A * 5/1995 Kawashima et al. 368/69

DESCRIPTION

FIG. 1 is a top perspective view of the invention.
FIG. 2 is a bottom perspective view of the invention.
FIG. 3 is a front view of the invention.
FIG. 4 is a rear view the invention.
FIG. 5 is a right side view of the invention.
FIG. 6 is a top side view of the invention; and,
FIG. 7 is a bottom side view of the invention.

1 Claim, 3 Drawing Sheets



(56)

References Cited

U.S. PATENT DOCUMENTS

D628,523	S *	12/2010	Daniel	D12/177				
D633,471	S *	3/2011	Sugiyama	D14/205				
D661,275	S *	6/2012	Roka	D14/138 R				
8,225,626	B1 *	7/2012	Blau	63/11				
D683,715	S *	6/2013	Triato et al.	D14/204				
D687,018	S *	7/2013	Afshar	D14/217				
D688,585	S *	8/2013	Ohnemus et al.	D11/3				
D710,220	S *	8/2014	Daniel	D10/70				
2002/0110252	A1 *	8/2002	Liu	381/120				
2002/0172381	A1 *	11/2002	Wang	381/173				
						2002/0197960	A1 *	12/2002	Lee et al. 455/66
						2007/0165885	A1 *	7/2007	Chou 381/151
						2009/0252345	A1 *	10/2009	Le et al. 381/74
						2009/0255666	A1 *	10/2009	Olsen et al. 166/208
						2010/0029327	A1 *	2/2010	Jee 455/556.1
						2010/0142328	A1 *	6/2010	Beck et al. 367/129
						2013/0066636	A1 *	3/2013	Singhal 704/275
						2013/0143519	A1 *	6/2013	Doezema 455/404.2
						2013/0342981	A1 *	12/2013	Cox et al. 361/679.01
						2014/0070957	A1 *	3/2014	Longinotti-Buitoni et al. 340/870.01
						2014/0210852	A1 *	7/2014	Peng et al. 345/619

* cited by examiner

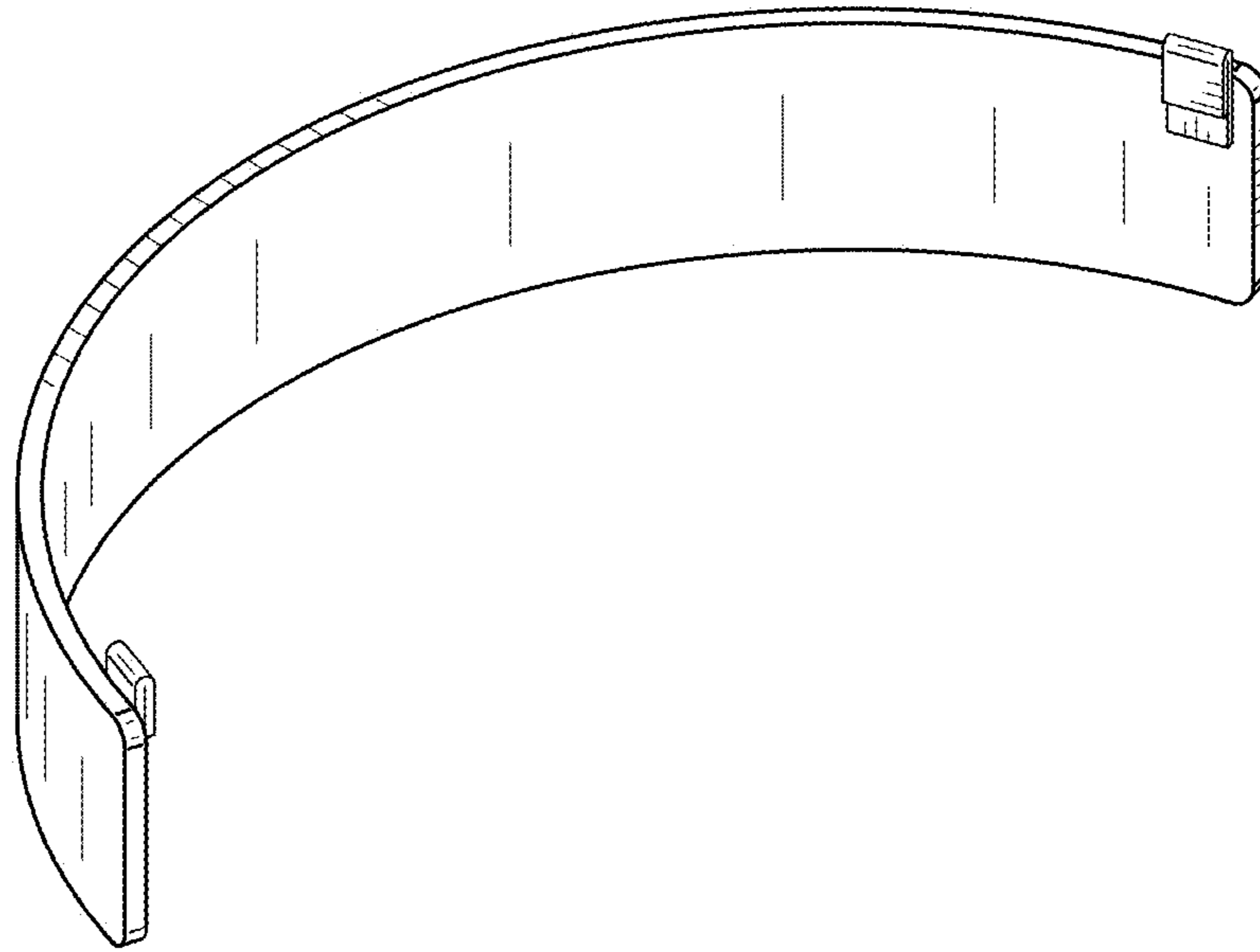


FIG. 1

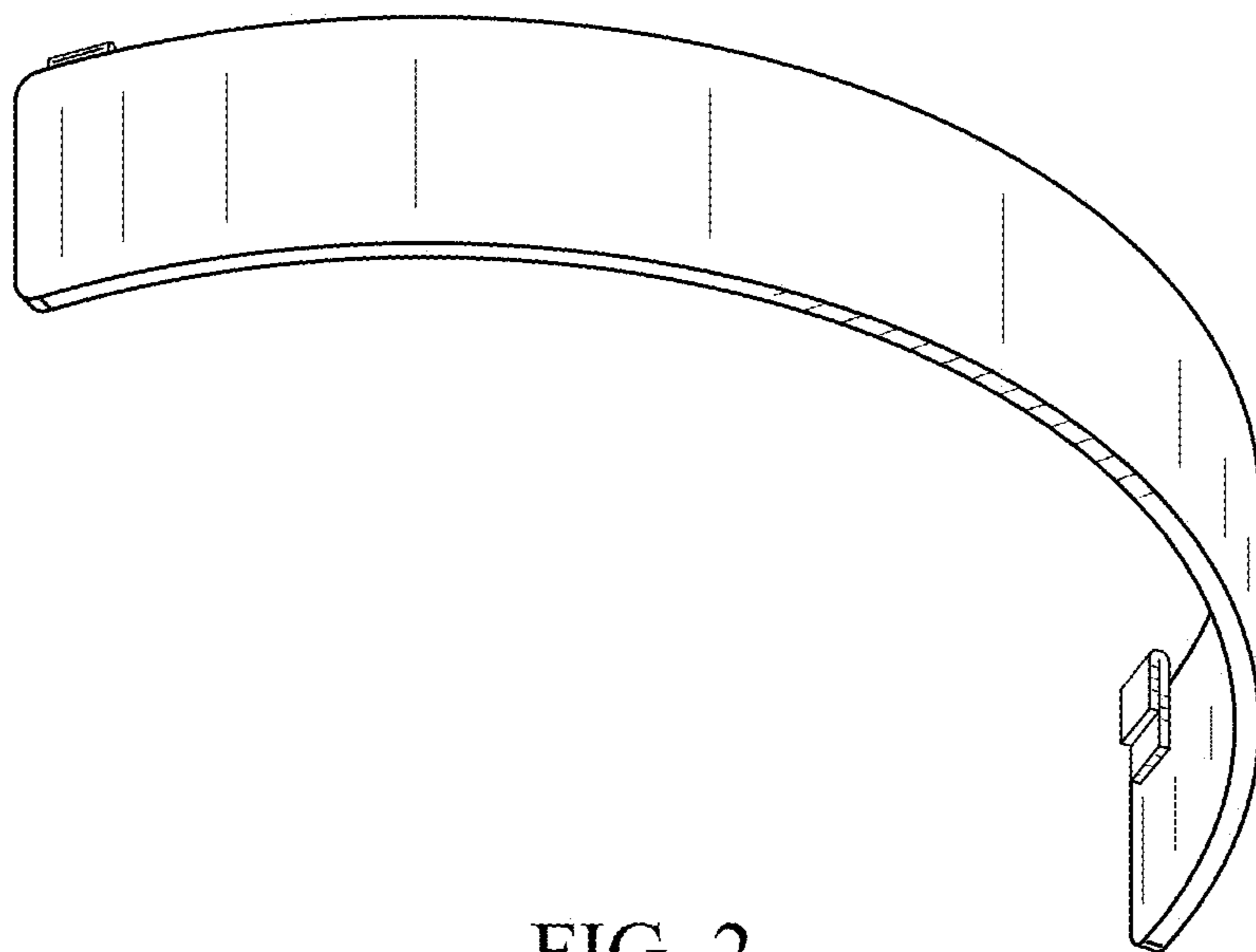


FIG. 2

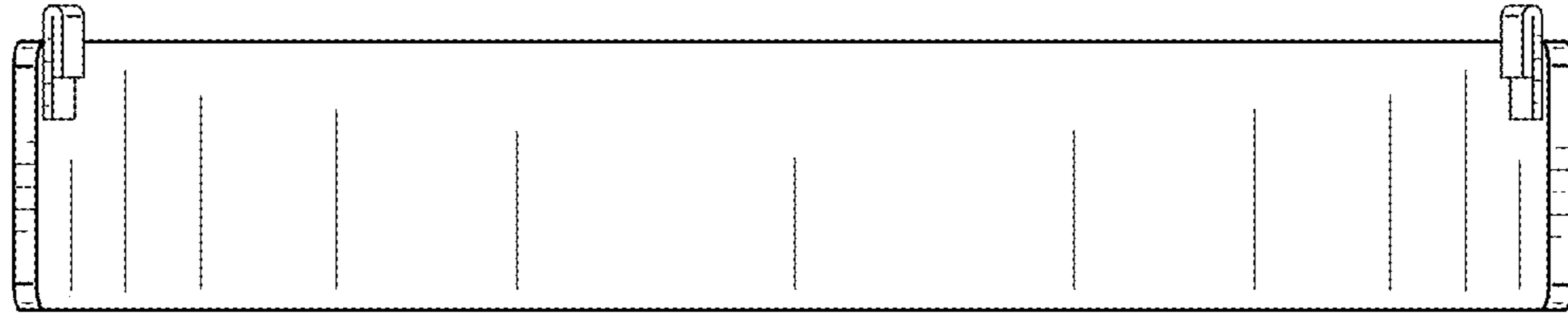


FIG. 3

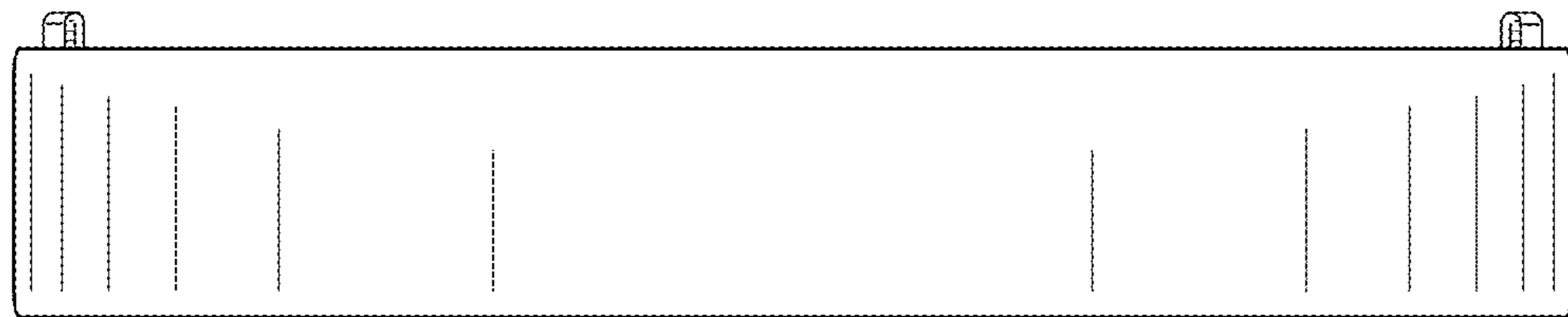


FIG. 4

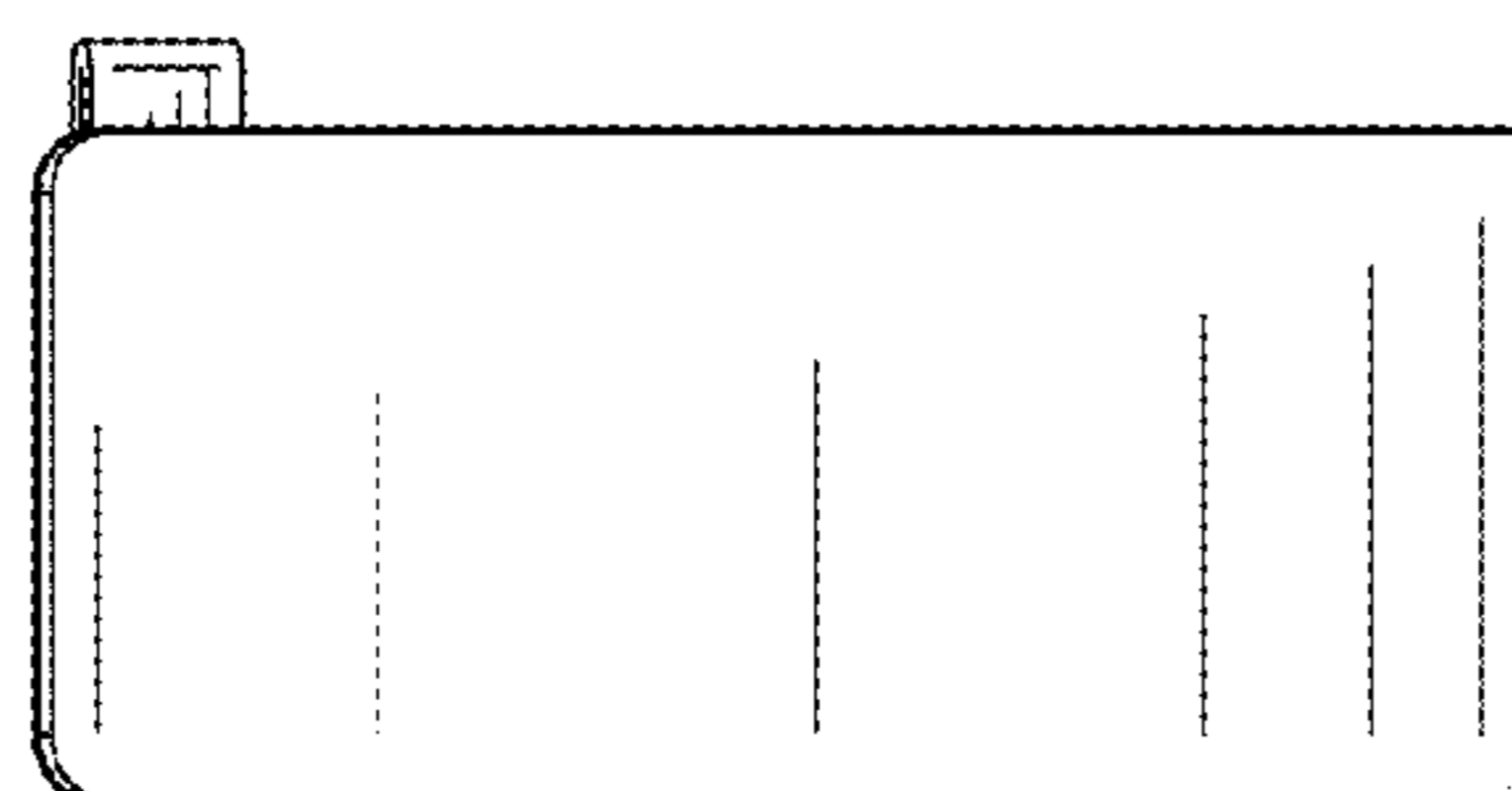


FIG. 5

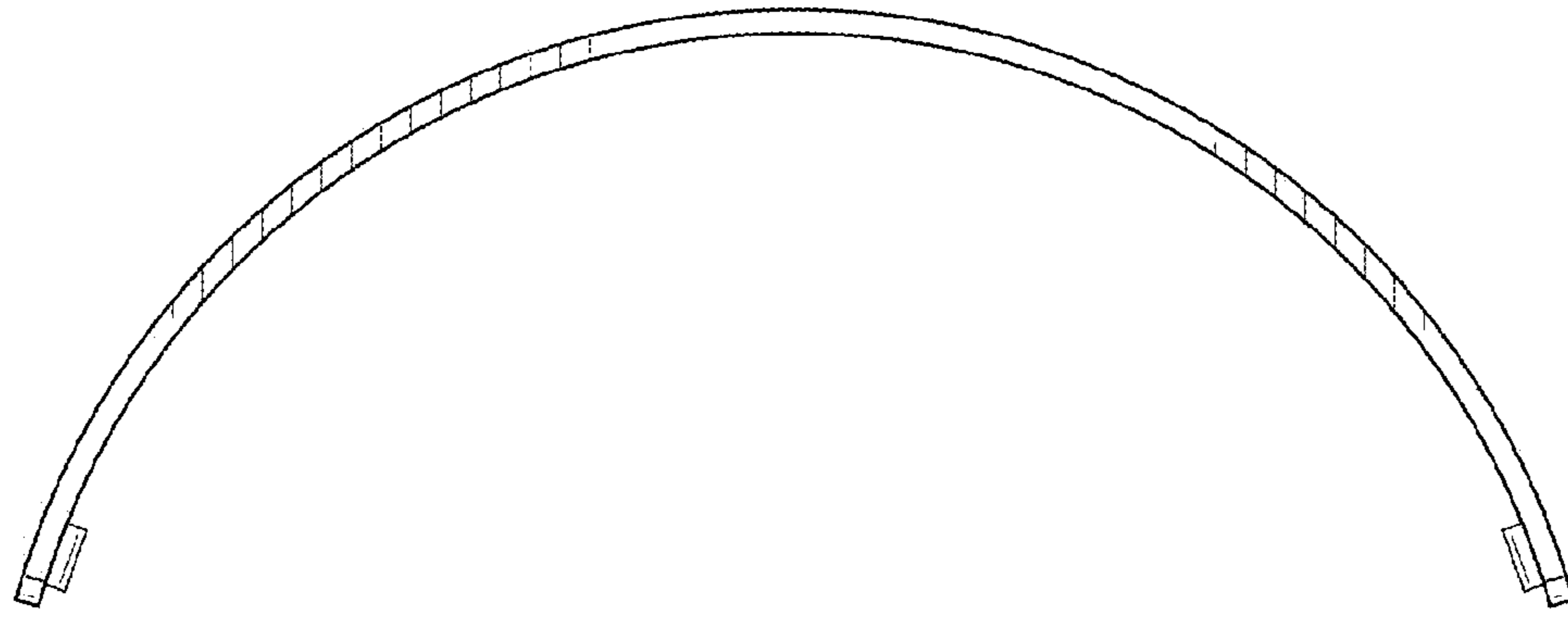


FIG. 6

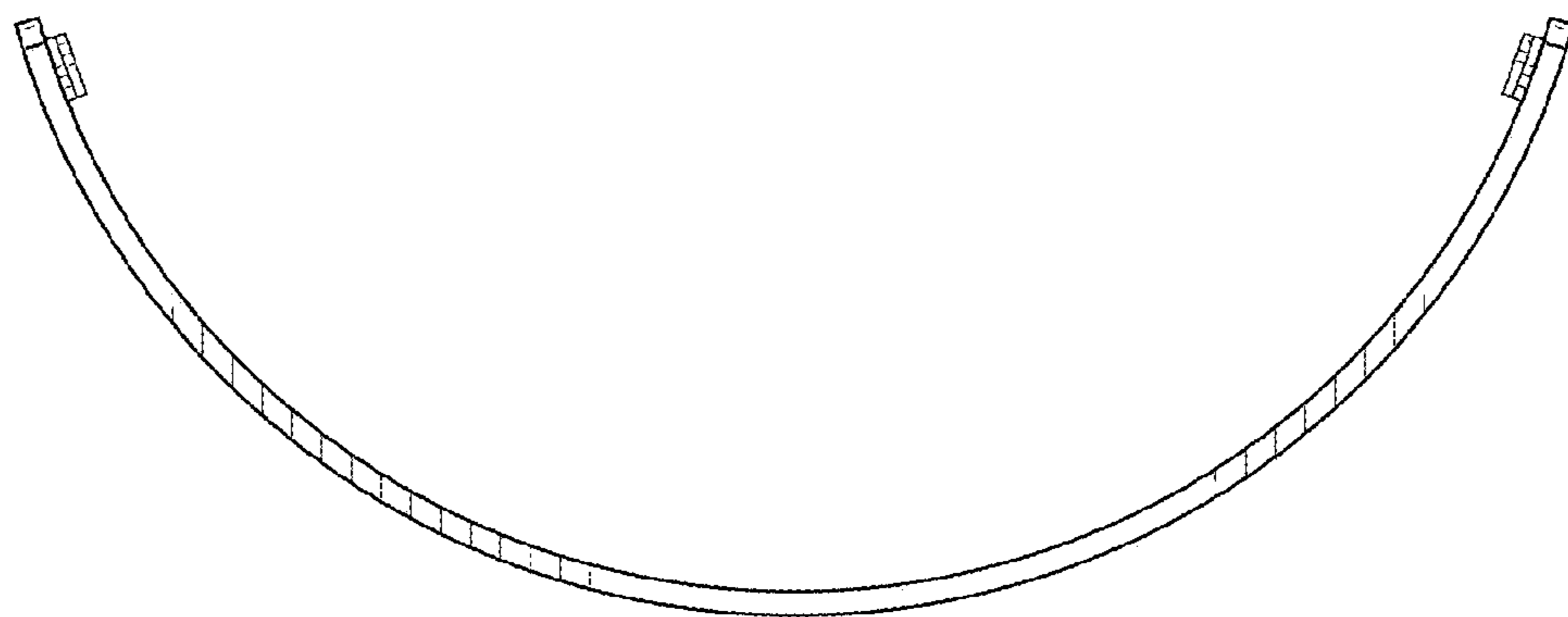


FIG. 7