



US00D726136S

(12) **United States Design Patent**
Cho et al.

(10) **Patent No.:** **US D726,136 S**

(45) **Date of Patent:** **** Apr. 7, 2015**

(54) **PORTABLE TELEVISION RECEIVER**

(56) **References Cited**

(71) Applicant: **Samsung Electronics Co., Ltd.**,
Suwon-si (KR)

(72) Inventors: **Chulyong Cho**, Seoul (KR); **Min Hee Lee**, Seoul (KR); **Min Joon Jung**, Seoul (KR); **Kyoung Hoon Kim**, Seongnam-si (KR)

U.S. PATENT DOCUMENTS

D323,324 S *	1/1992	Suda	D14/125
D481,038 S *	10/2003	Borsboom et al.	D14/375
D481,726 S *	11/2003	Olson et al.	D14/375
D491,902 S *	6/2004	Chen	D14/126
D494,165 S *	8/2004	Yokota	D14/341
D525,607 S *	7/2006	Chia	D14/126
D528,086 S *	9/2006	Chia	D14/126
D536,310 S *	2/2007	Kao	D14/126
D537,420 S *	2/2007	Tsai	D14/126
D561,712 S *	2/2008	Chu et al.	D14/126
D585,401 S *	1/2009	Otani	D14/134
D699,205 S *	2/2014	Kim et al.	D14/126

(73) Assignee: **Samsung Electronics Co., Ltd.** (KR)

(**) Term: **14 Years**

* cited by examiner

(21) Appl. No.: **29/498,761**

Primary Examiner — Raphael Barkai

(22) Filed: **Aug. 7, 2014**

(74) *Attorney, Agent, or Firm* — Cantor Colburn LLP

(30) **Foreign Application Priority Data**

Feb. 11, 2014 (KR) 30-2014-0006858

(51) **LOC (10) Cl.** **14-03**

(52) **U.S. Cl.**
USPC **D14/126**

(58) **Field of Classification Search**
CPC ... G06F 1/1601; G06F 1/1643; H05K 5/0004;
H05K 5/0017; H05K 5/02; H05K 5/0217
USPC D14/125–134, 239, 371, 136, 374–377,
D14/440, 450, 448, 336, 342, 159; 312/7.2;
348/836, 838, 180, 184, 325, 739;
248/917–924, 465; 345/104, 133, 156,
345/168, 87, 173; D21/329, 515, 577, 622,
D21/333, 433, 448, 452, 450, 331, 505;
D10/15, 26; 446/484, 175, 356;
D6/477, 479, 300; D24/185; D34/14

See application file for complete search history.

(57) **CLAIM**

We claim, the ornamental design for a portable television receiver, as shown and described.

DESCRIPTION

FIG. 1 is a front perspective view of a portable television receiver showing our new design;
FIG. 2 is a front view thereof;
FIG. 3 is a rear view thereof;
FIG. 4 is a side view thereof;
FIG. 5 is another side view thereof;
FIG. 6 is a top plan view thereof;
FIG. 7 is a bottom plan view thereof; and,
FIG. 8 is another front perspective view thereof, as shown in an alternate configuration.

1 Claim, 8 Drawing Sheets

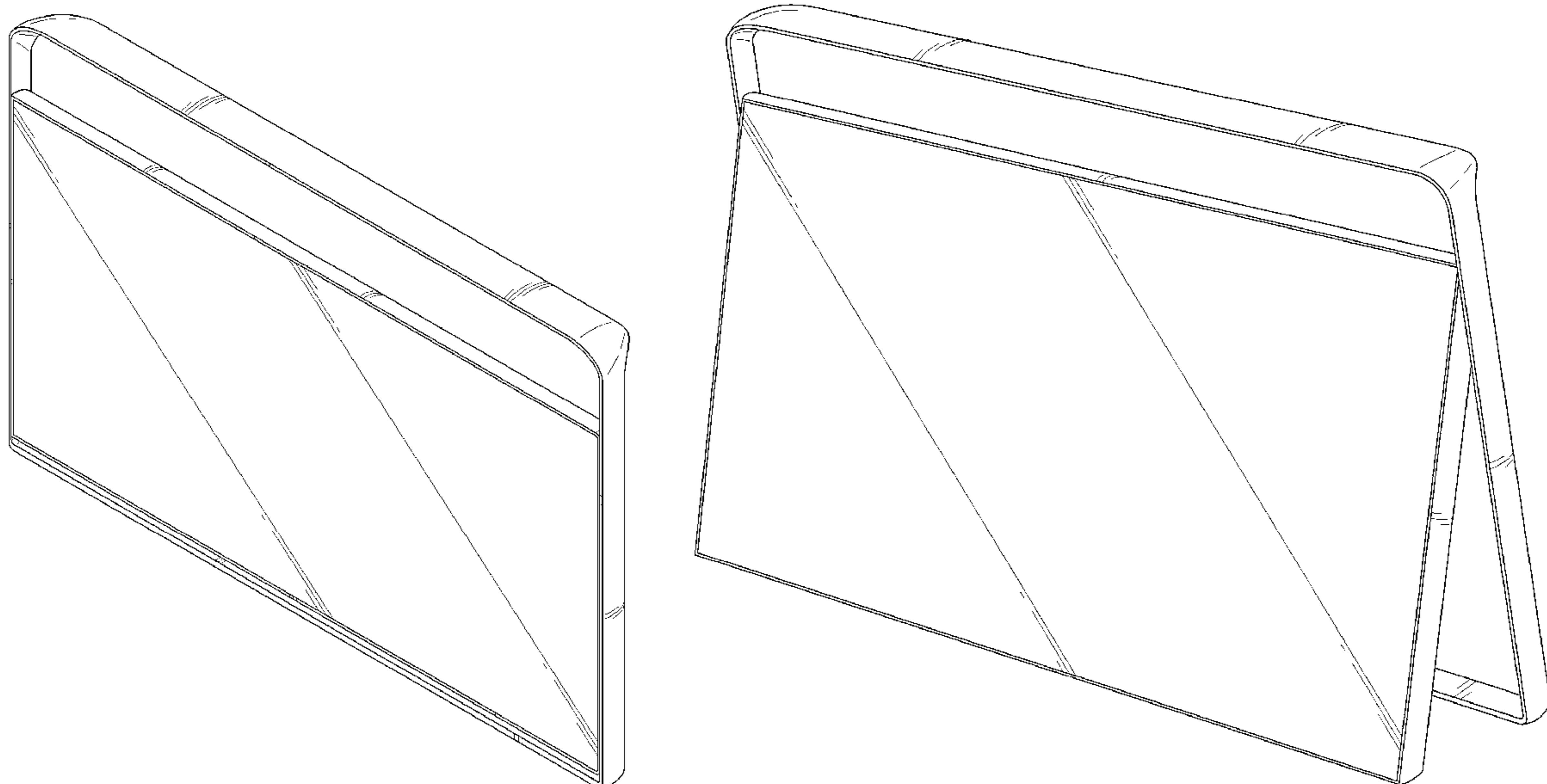


Fig. 1

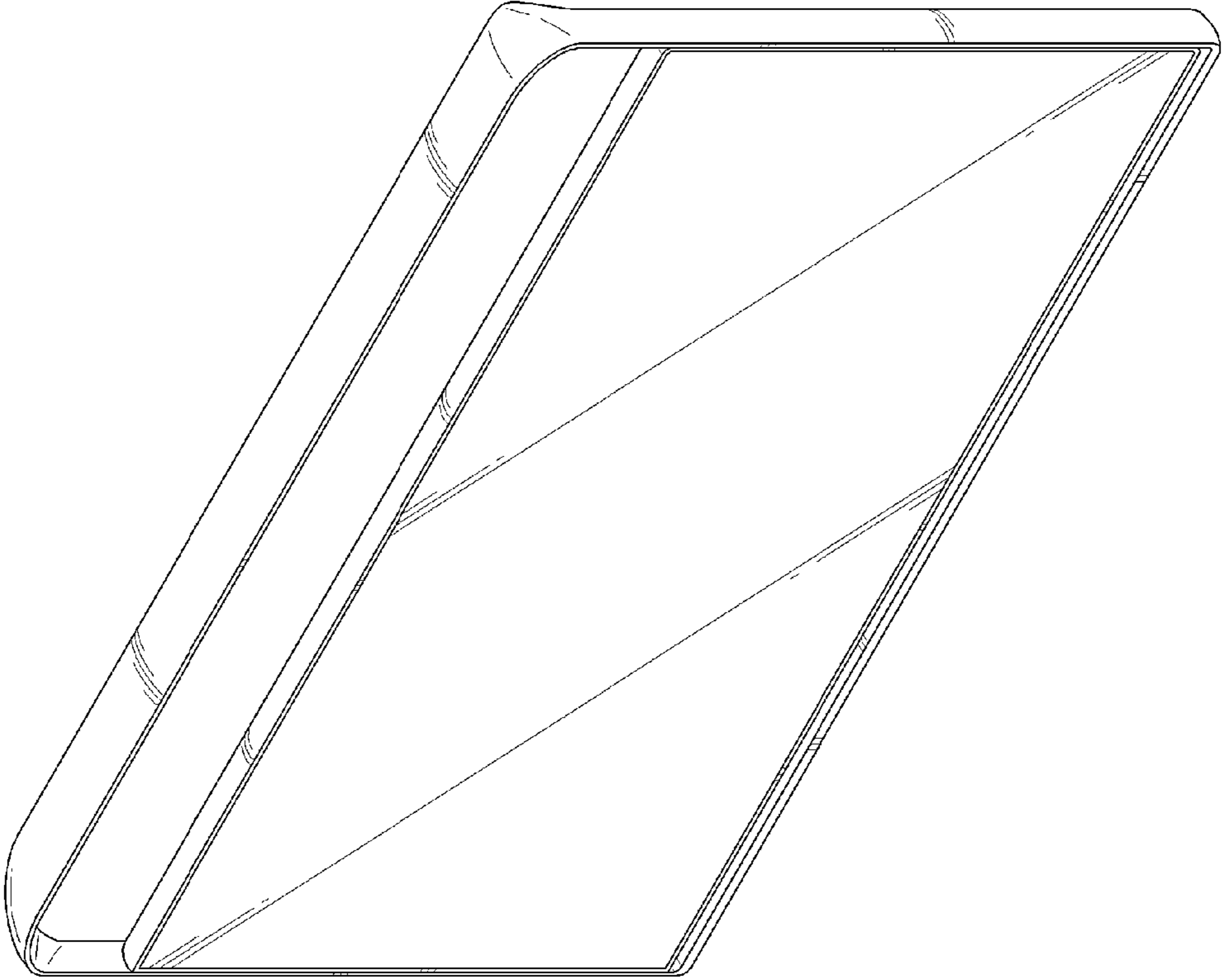


Fig. 2

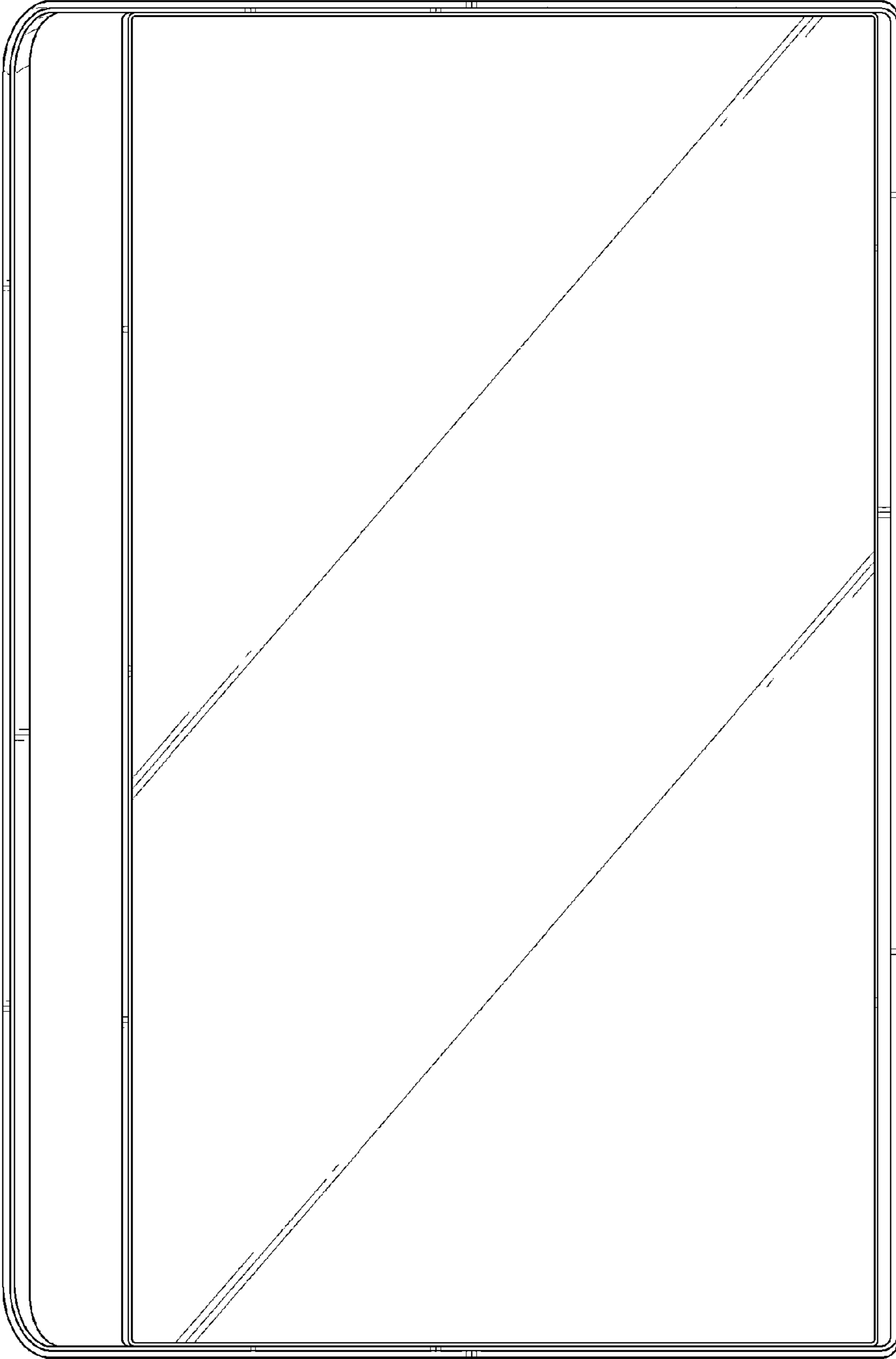


Fig. 3

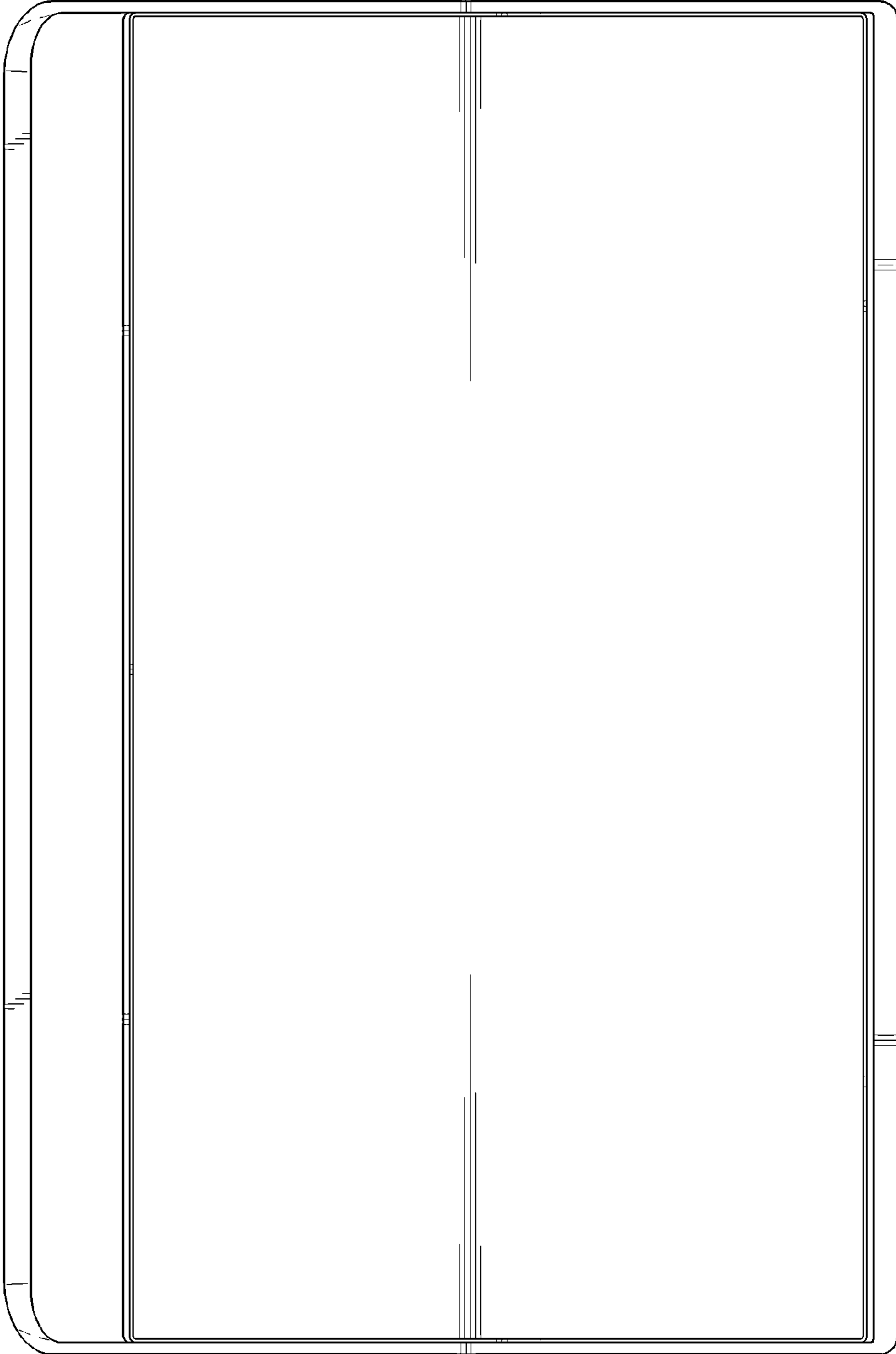


Fig. 4

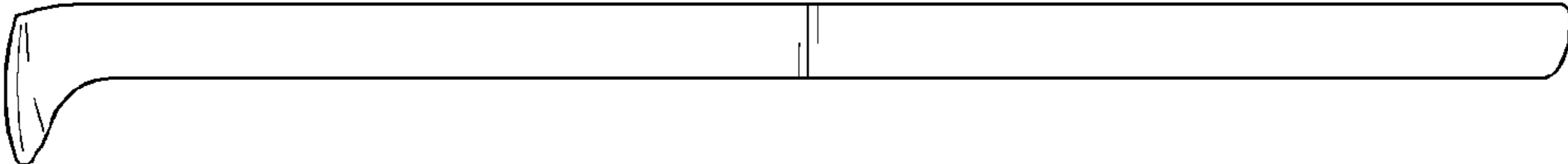


Fig. 5

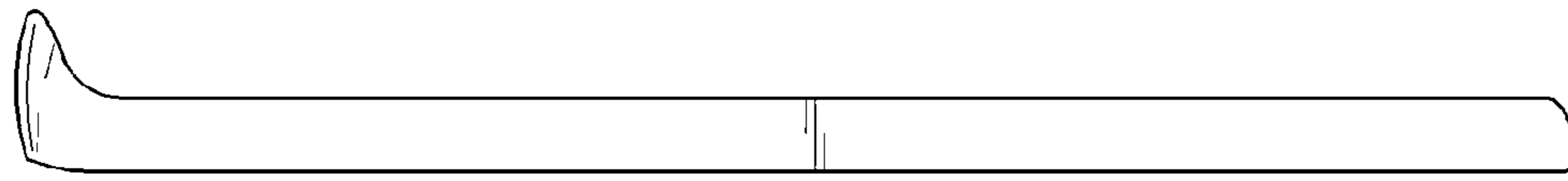
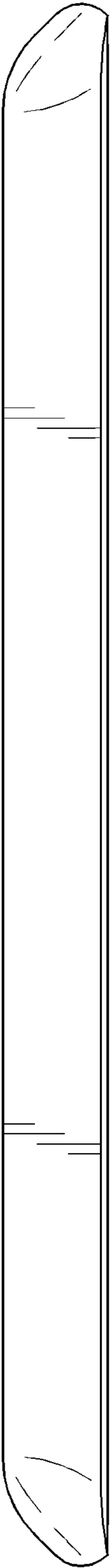


Fig. 6



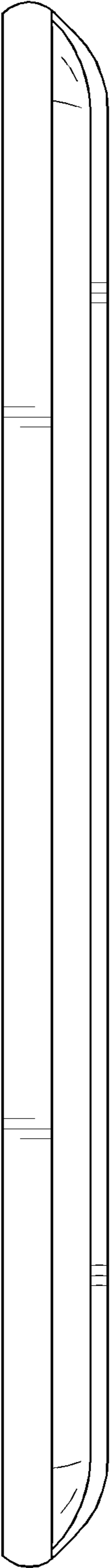


Fig. 7

Fig. 8

