



US00D726134S

(12) **United States Design Patent**
Prendes

(10) **Patent No.:** **US D726,134 S**
(45) **Date of Patent:** **** Apr. 7, 2015**

(54) **HOUSING ASSEMBLY**

(71) Applicant: **Joaquin Prendes**, Davie, FL (US)

(72) Inventor: **Joaquin Prendes**, Davie, FL (US)

(**) Term: **14 Years**

(21) Appl. No.: **29/472,798**

(22) Filed: **Nov. 15, 2013**

(51) **LOC (10) Cl.** **13-03**

(52) **U.S. Cl.**
USPC **D13/184; D10/104.1**

(58) **Field of Classification Search**
CPC H04W 4/02
USPC D14/140, 142, 240, 217, 218, 155;
D10/104.1, 104.2, 65; 455/100, 126,
455/12, 90.1, 90.3, 347-349, 456.1;
D13/184, 168; D99/28
See application file for complete search history.

(56) **References Cited**

U.S. PATENT DOCUMENTS

| | | | |
|---------------|---------|----------------------|---------|
| D198,032 S * | 4/1964 | Leland et al. | D14/155 |
| D249,790 S * | 10/1978 | Ainscow | D13/184 |
| D249,791 S * | 10/1978 | Ainscow | D13/184 |
| D287,006 S * | 12/1986 | Fletcher et al. | D13/184 |
| D311,520 S * | 10/1990 | Serio, Jr. | D13/184 |
| 5,388,691 A * | 2/1995 | White | 206/305 |

| | | | |
|----------------|---------|----------------------|-----------|
| D405,021 S * | 2/1999 | Steele | D10/104.1 |
| D413,827 S * | 9/1999 | Fenner | D10/104.1 |
| D415,704 S * | 10/1999 | Carroll | D10/104.1 |
| D417,667 S * | 12/1999 | Loubert et al. | D14/155 |
| D459,857 S * | 7/2002 | Stoneberg | D99/28 |
| D565,976 S * | 4/2008 | Richards et al. | D10/65 |
| 8,254,958 B2 * | 8/2012 | Johnson | 455/456.1 |
| 8,855,672 B1 * | 10/2014 | Cohn et al. | 455/456.1 |

* cited by examiner

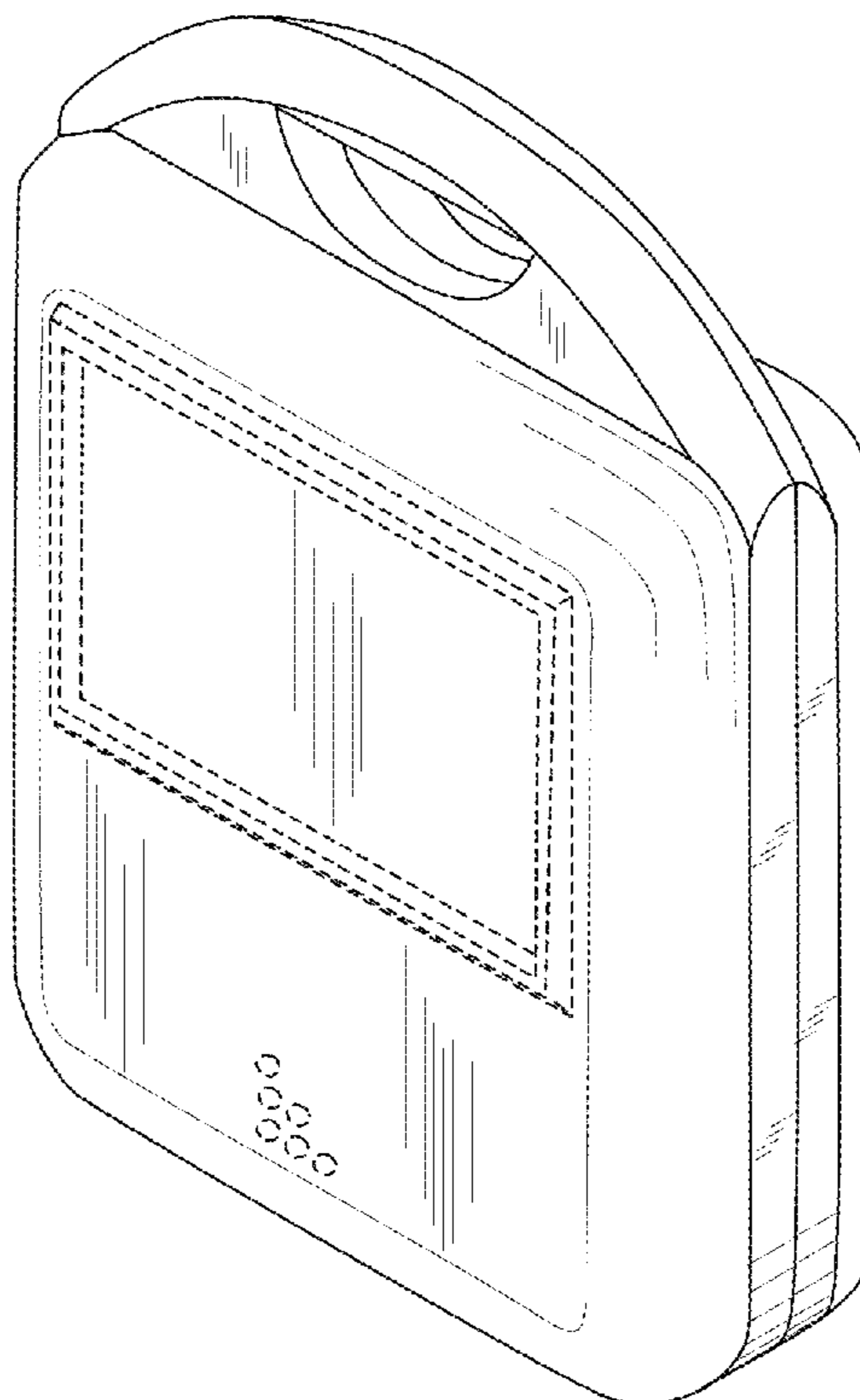
Primary Examiner — Ian Simmons
Assistant Examiner — Harold Blackwell, II

(57) **CLAIM**
The ornamental design for a housing assembly, as shown and described.

DESCRIPTION

FIG. 1 is a top plan view of a housing assembly;
FIG. 2 is a front elevational view thereof;
FIG. 3 is a bottom view thereof;
FIG. 4 is a left elevational view thereof, the right elevational view being a mirror image thereof;
FIG. 5 is a rear elevational view thereof;
FIG. 6 is a front isometric view thereof; and,
FIG. 7 is a rear isometric view thereof.
The broken lines in the drawings illustrate portions of a housing assembly which form no part of the claimed design.
The claimed housing assembly is used to house an electronic locator apparatus.

1 Claim, 4 Drawing Sheets



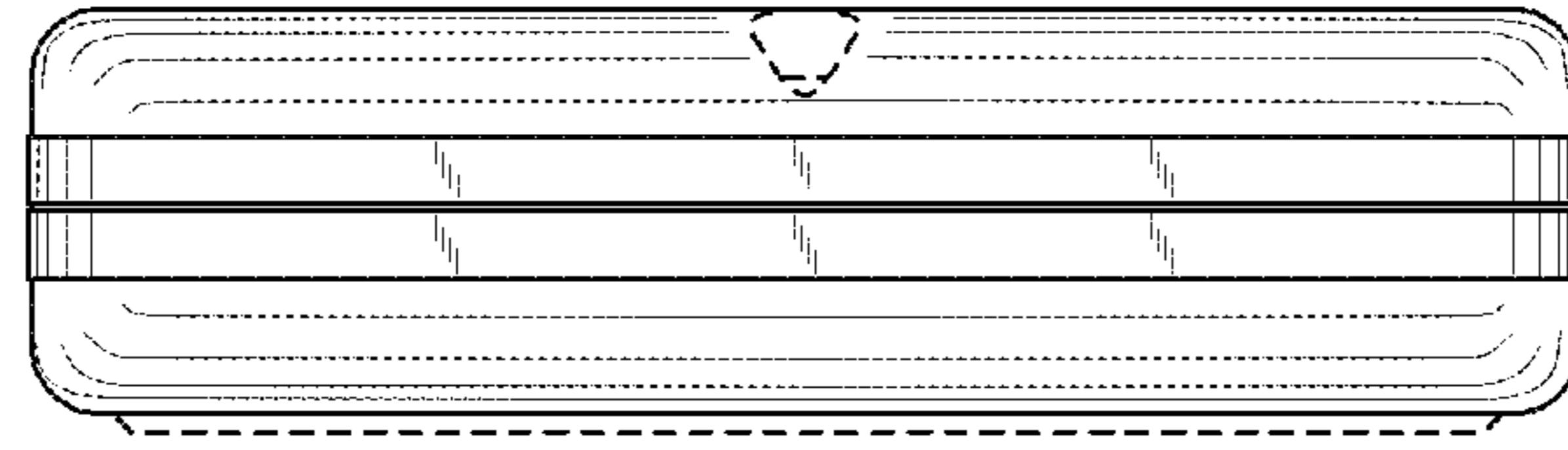


Fig. 1

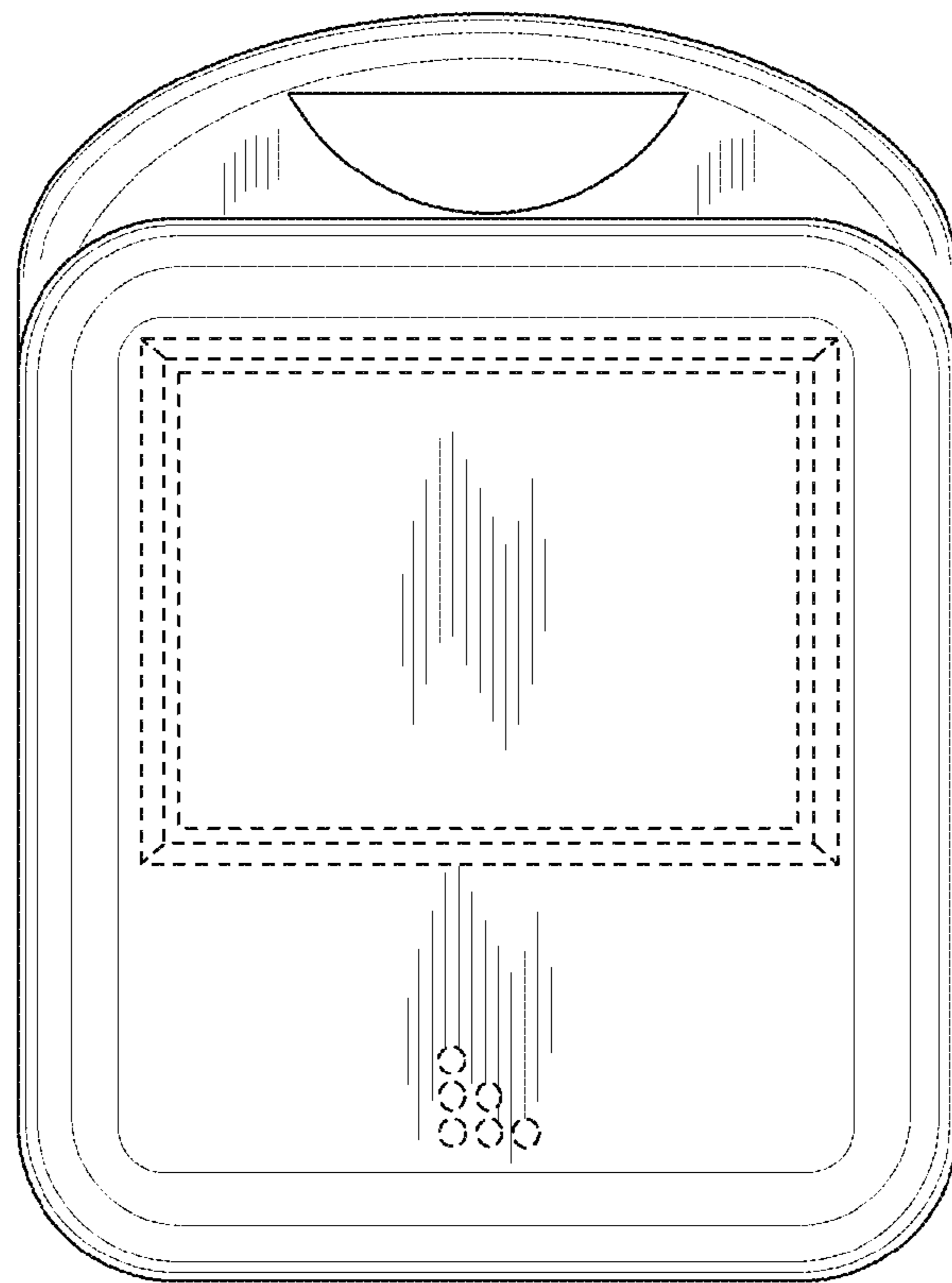


Fig. 2



Fig. 3

Fig. 4

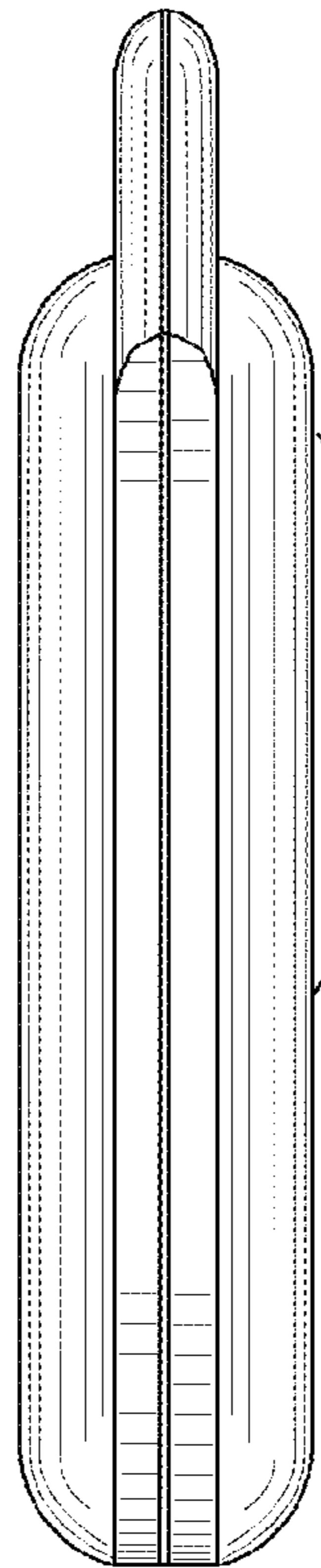
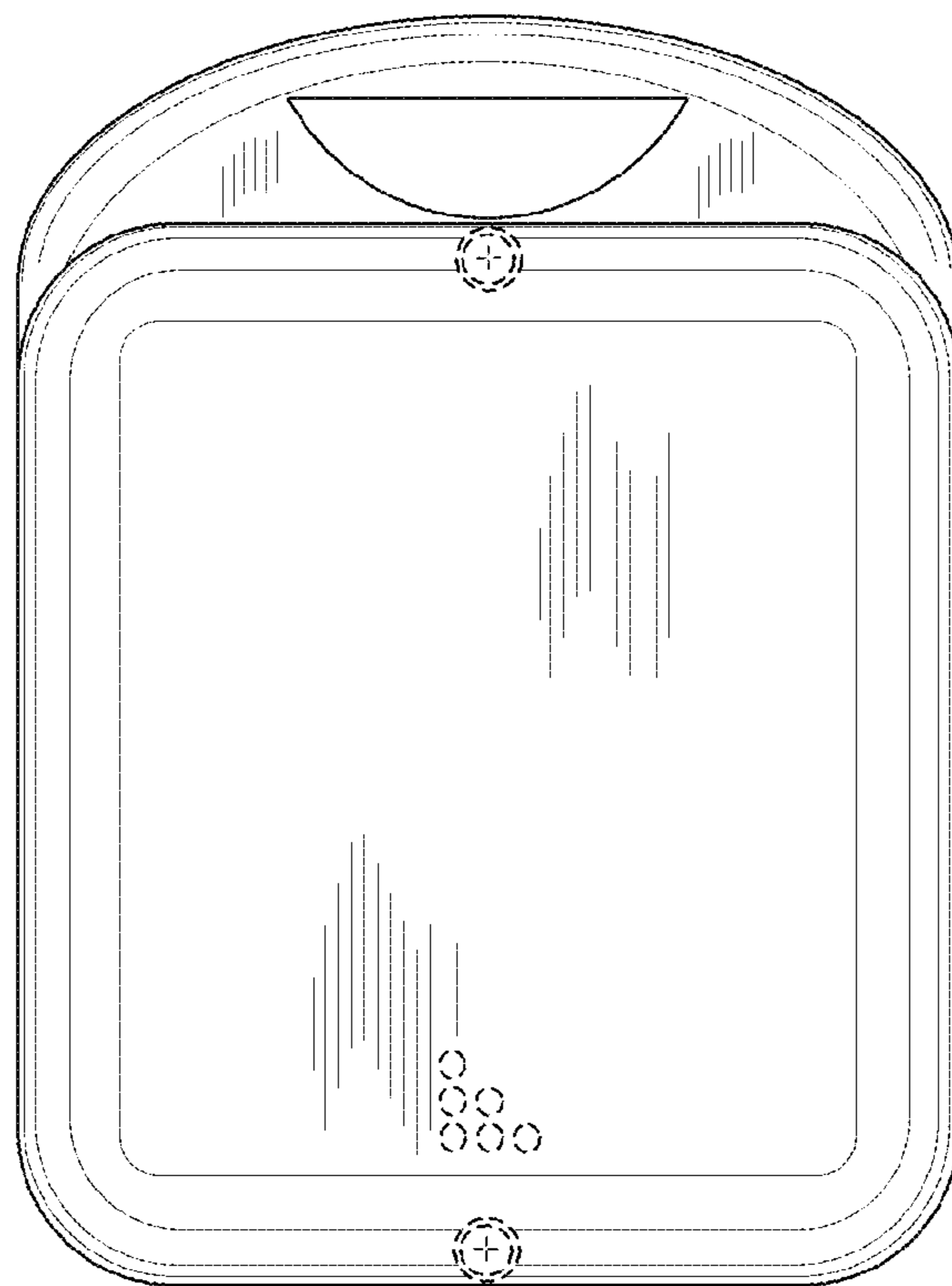


Fig. 5



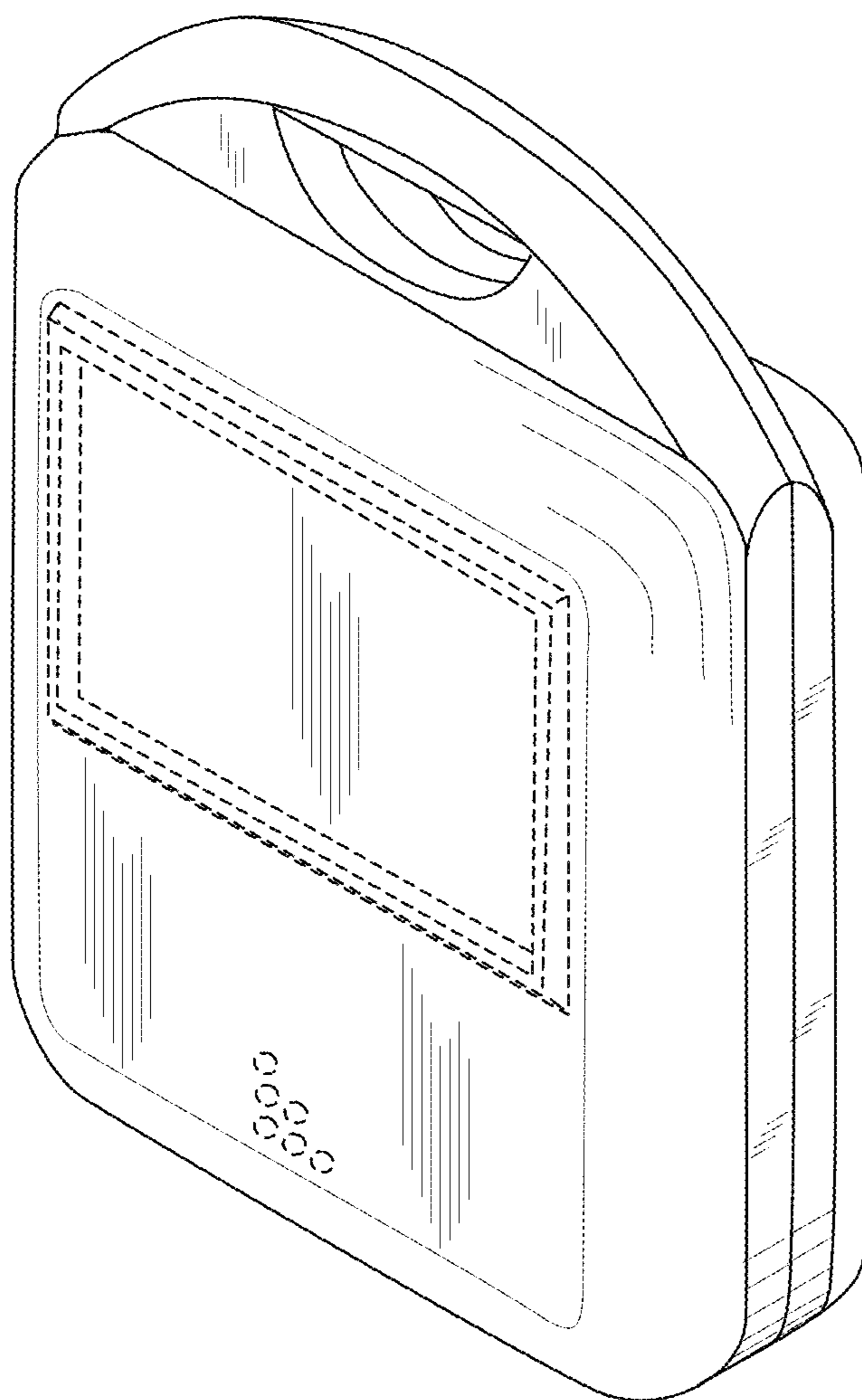


Fig. 6

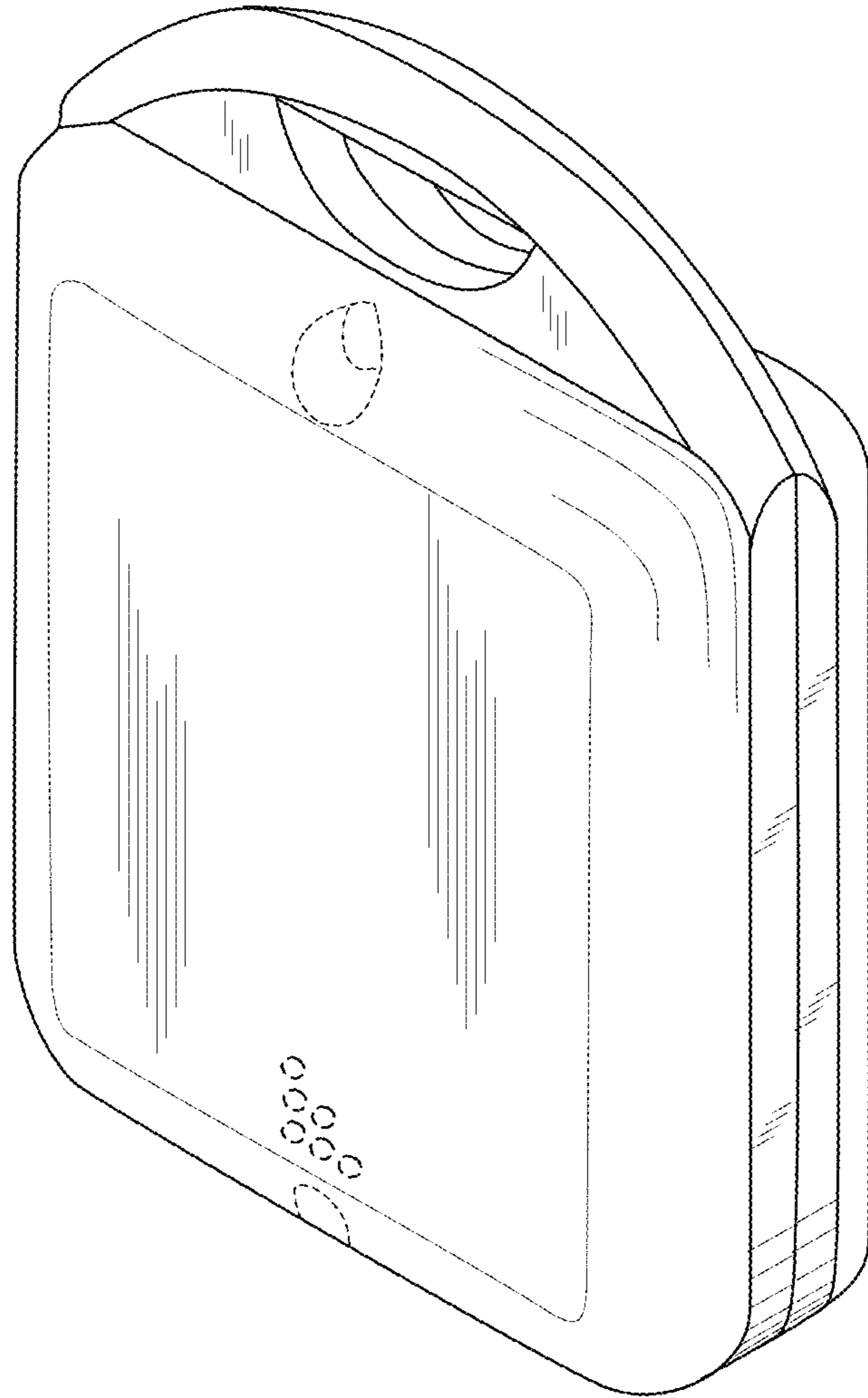


Fig. 7